



US00D655885S

(12) **United States Design Patent**
Meekma et al.

(10) **Patent No.:** **US D655,885 S**
(45) **Date of Patent:** **** Mar. 13, 2012**

- (54) **SAFE**
- (75) Inventors: **Glenn P. Meekma**, Menomonee Falls, WI (US); **Scott B. Stevens**, Oak Creek, WI (US)
- (73) Assignee: **Master Lock Company LLC**, Oak Creek, WI (US)
- (**) Term: **14 Years**
- (21) Appl. No.: **29/359,531**
- (22) Filed: **Apr. 13, 2010**
- (51) **LOC (9) Cl.** **99-00**
- (52) **U.S. Cl.** **D99/28**
- (58) **Field of Classification Search** D99/28, D99/34, 35, 36, 37, 43, 99; D18/3.1, 3.3, D18/12, 12.1; D8/330, 331, 333, 334, 343, D8/499; 235/379, 380, 381, 382, 382.5; 194/206; 109/1 R, 1 V, 2, 45, 49.5, 52, 58, 109/59 R, 60, 61, 62, 64, 78; 70/14, 19, 70/20, 21, 22; 206/0.8, 0.815, 0.82
See application file for complete search history.

- 5,065,156 A * 11/1991 Bernier 340/932.2
- D350,002 S * 8/1994 Viola D99/28
- D351,499 S * 10/1994 Gay et al. D3/201
- D365,430 S * 12/1995 Riboli D99/37
- D380,793 S * 7/1997 Conwell D21/519
- D407,184 S * 3/1999 Endelson D99/37
- D411,949 S * 7/1999 Hill
- D432,755 S * 10/2000 Perkitny et al. D99/34
- D462,517 S * 9/2002 Knox et al. D3/271.5
- D484,776 S * 1/2004 Ruan D8/334
- D534,965 S * 1/2007 Chung D21/519
- D539,540 S * 4/2007 Perlman et al. D3/294
- D560,875 S * 1/2008 Decarlo et al. D99/28
- D579,174 S * 10/2008 Decarlo et al. D99/28
- D634,915 S * 3/2011 Nave et al. D99/28
- D641,535 S * 7/2011 Kan D99/37
- 2006/0137949 A1 * 6/2006 Levinson et al. 190/18 A

* cited by examiner

Primary Examiner — Stella Reid
Assistant Examiner — Elizabeth J Oswecki
(74) *Attorney, Agent, or Firm* — Calfee, Halter & Griswold LLP

(57) **CLAIM**
We claim the ornamental design for a safe, as shown and described.

(56) **References Cited**

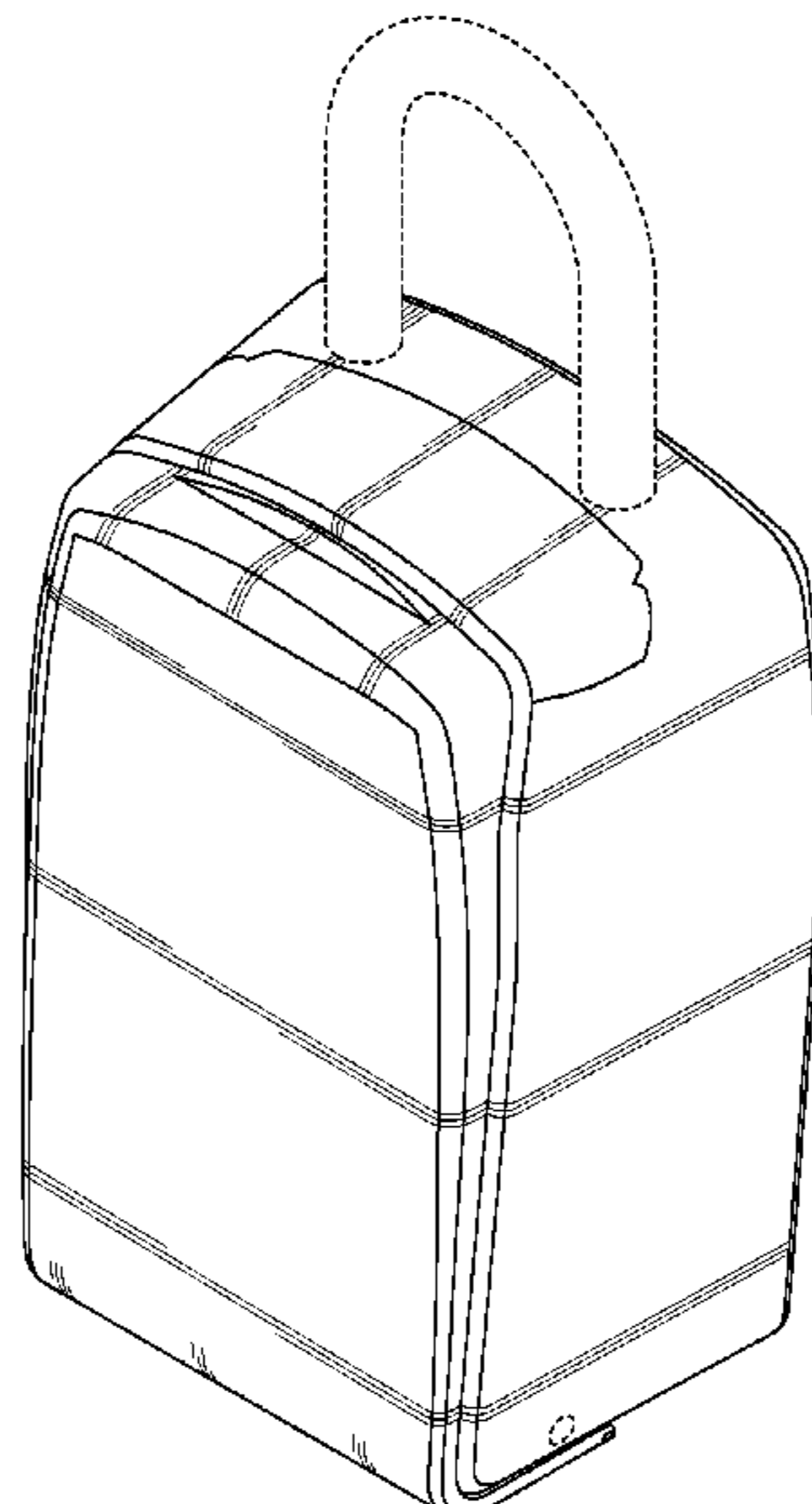
U.S. PATENT DOCUMENTS

- D59,734 S * 11/1921 Fisher D99/37
- 1,955,809 A * 4/1934 Hobbs 109/23
- D175,369 S * 8/1955 Sciacero D99/28
- 2,755,748 A * 7/1956 Abell, Jr. 109/52
- D181,025 S * 9/1957 Sederquist et al. D99/34
- D183,094 S * 6/1958 Heath D99/34
- 3,084,532 A * 4/1963 Williams 70/63
- D231,895 S * 6/1974 Stolarz D8/334
- D271,350 S * 11/1983 Robbins D3/208
- D273,053 S * 3/1984 Hamborg D99/28
- D278,689 S * 5/1985 Jupe D10/42
- D279,324 S * 6/1985 Tanaka D99/34
- D298,679 S * 11/1988 Casini et al. D99/28
- D309,054 S * 7/1990 Knox D99/37
- D310,211 S * 8/1990 Tanbe D14/387

DESCRIPTION

FIG. 1 is a front perspective view of a safe showing our new design;
FIG. 2 is a rear perspective view thereof;
FIG. 3 is a top view thereof;
FIG. 4 is a front view thereof;
FIG. 5 is a rear view thereof;
FIG. 6 is a bottom view thereof;
FIG. 7 is a right side view thereof; and,
FIG. 8 is a left side view thereof.
In the drawings, the broken lines in FIGS. 1-8 depict portions of the design that form no part of the claim.

1 Claim, 5 Drawing Sheets



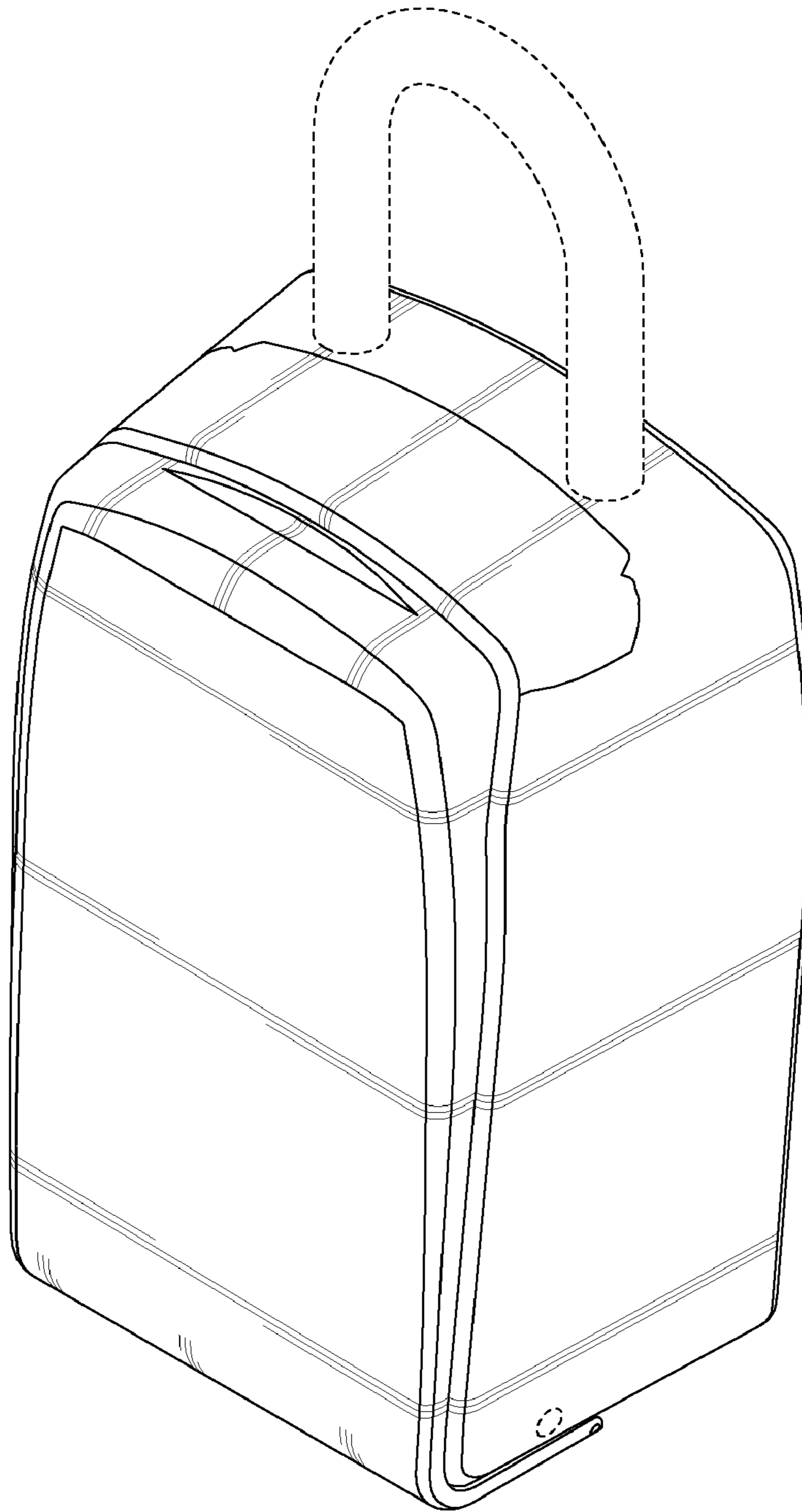


FIG. 1

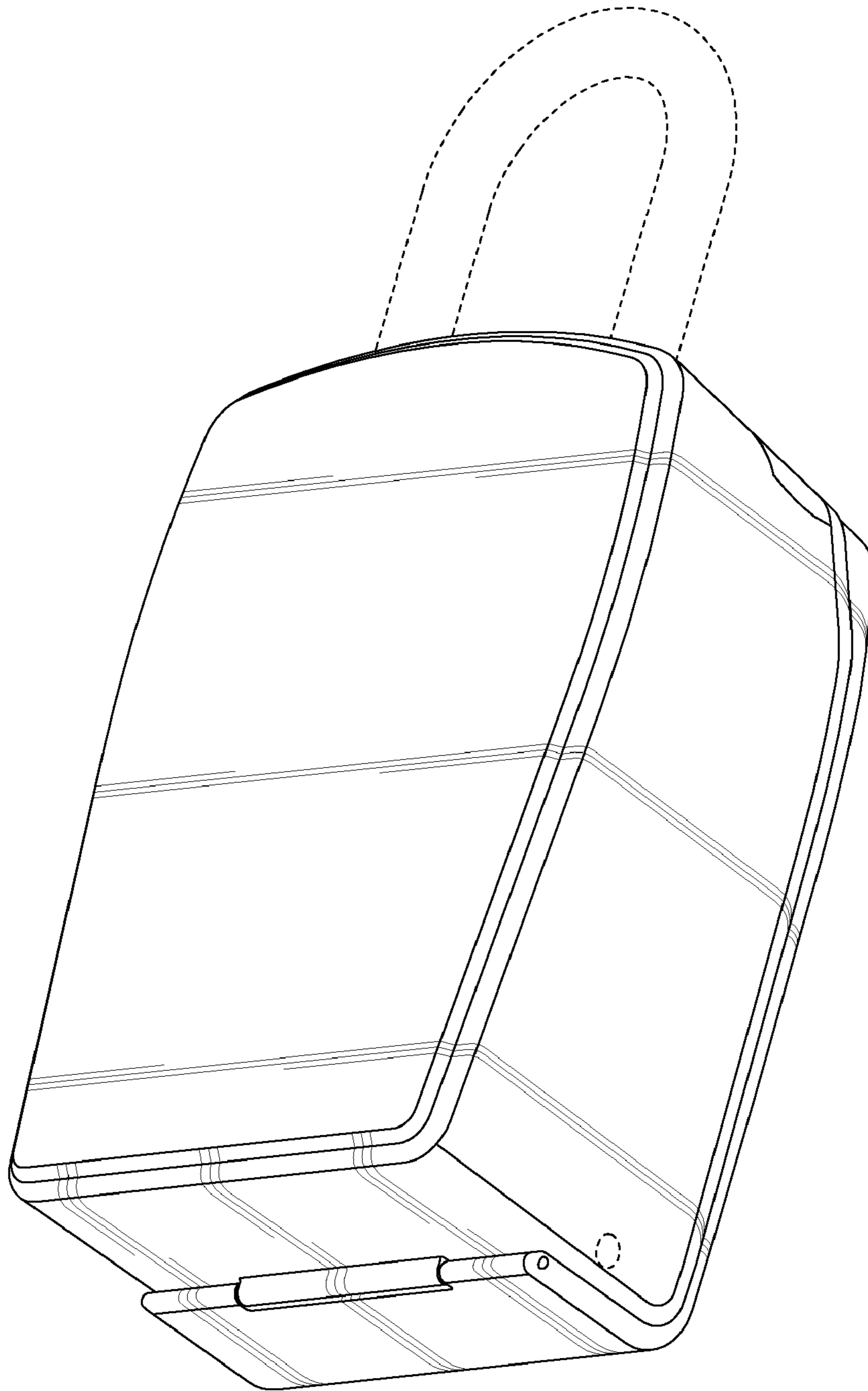


FIG. 2

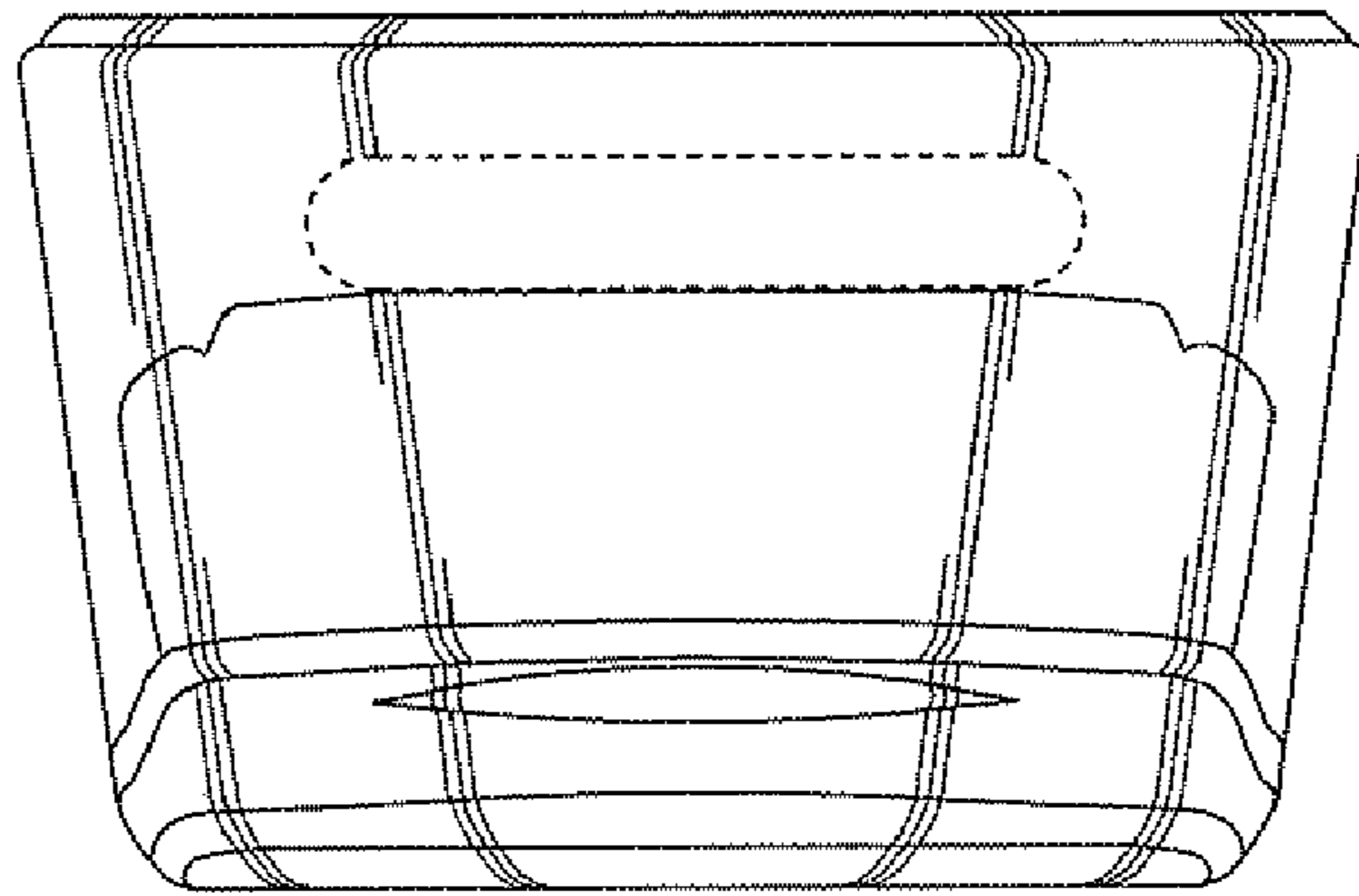


FIG. 3

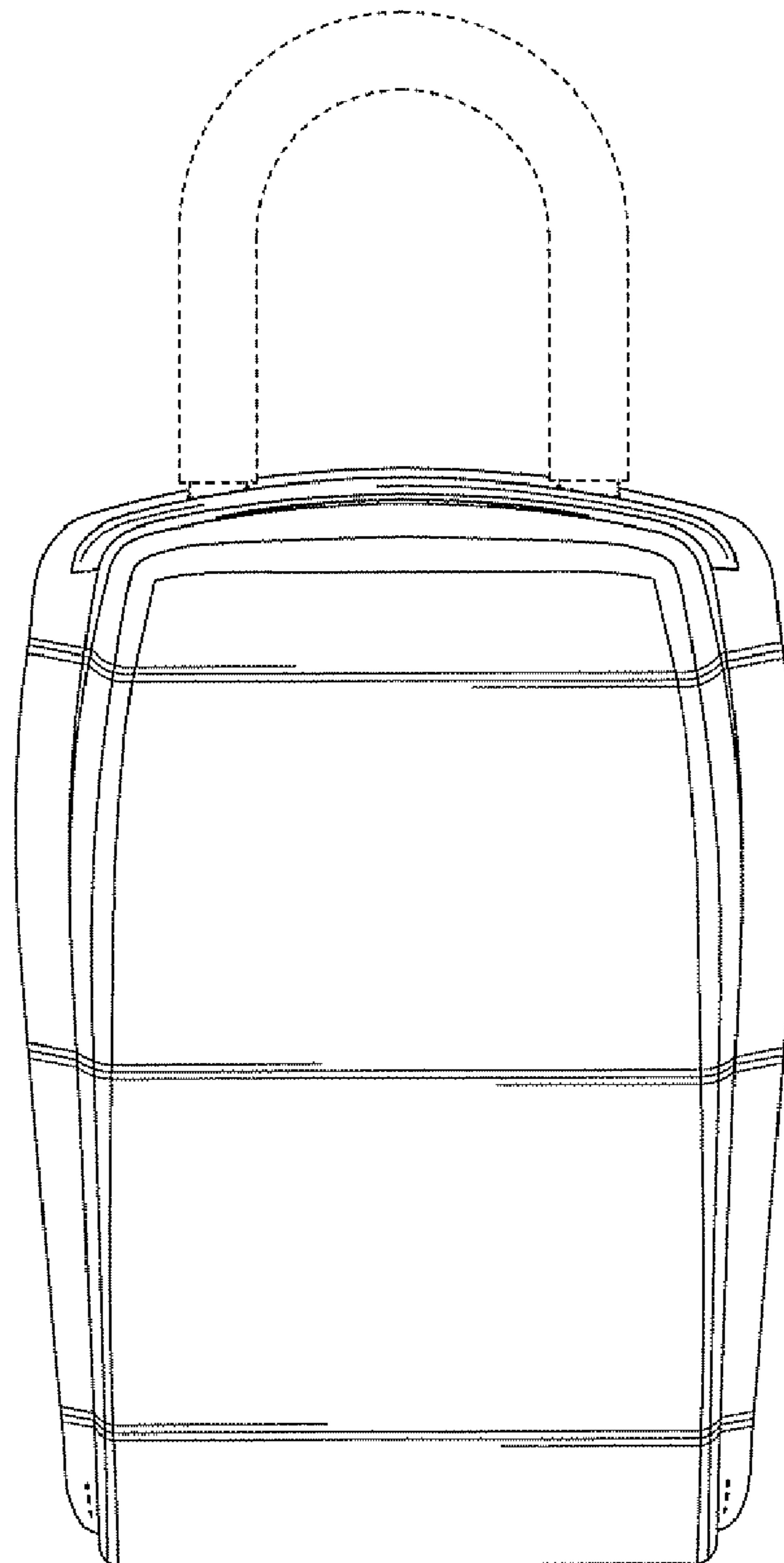


FIG. 4

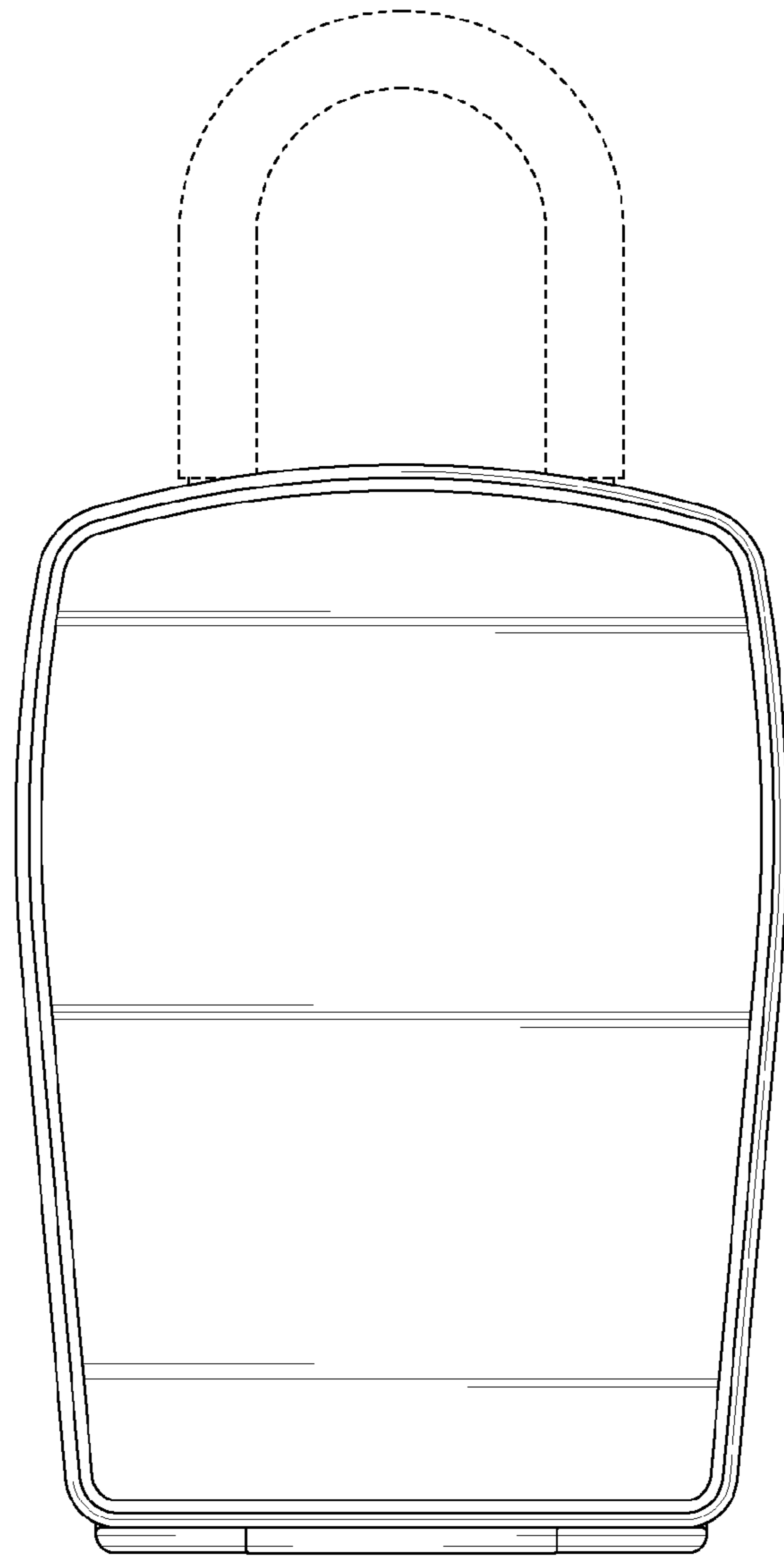


FIG. 5

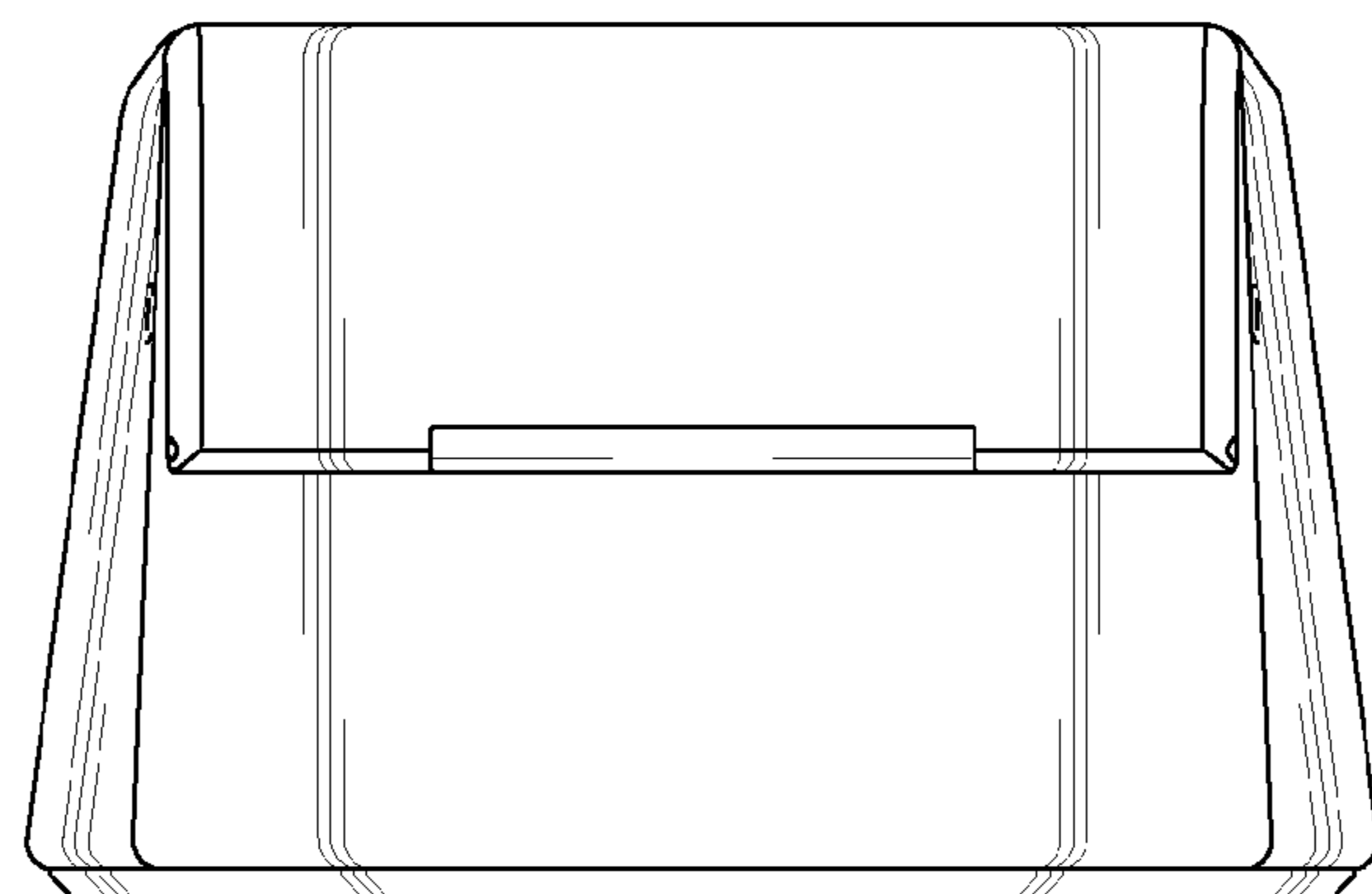


FIG. 6

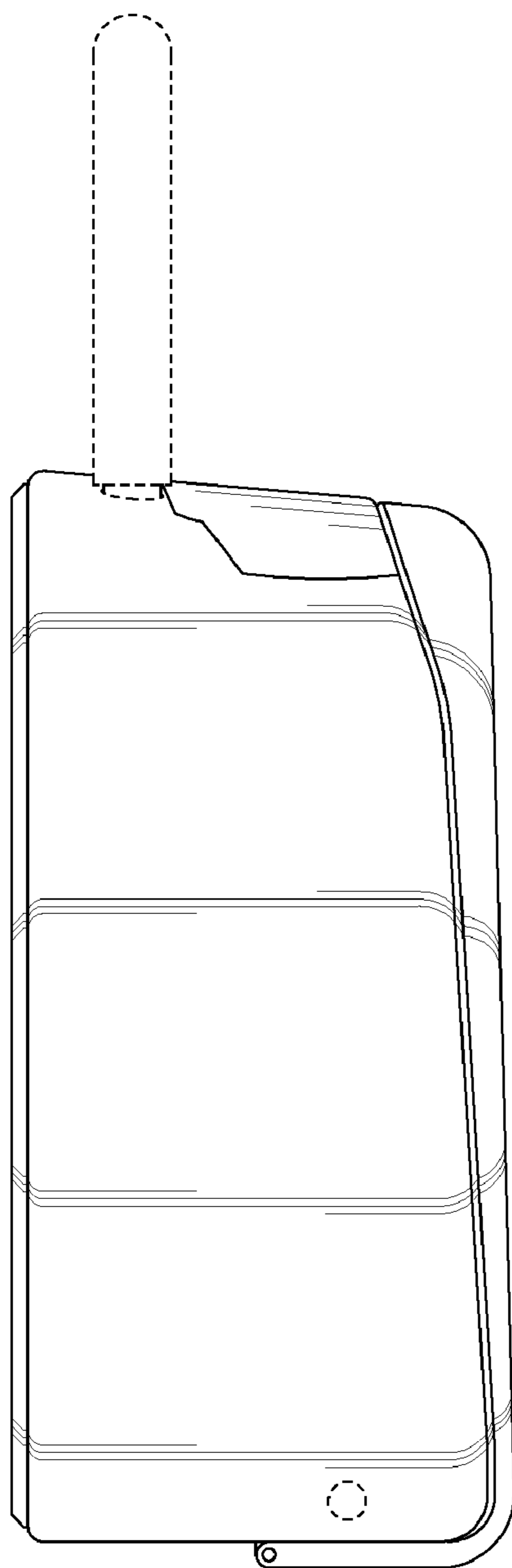


FIG. 7

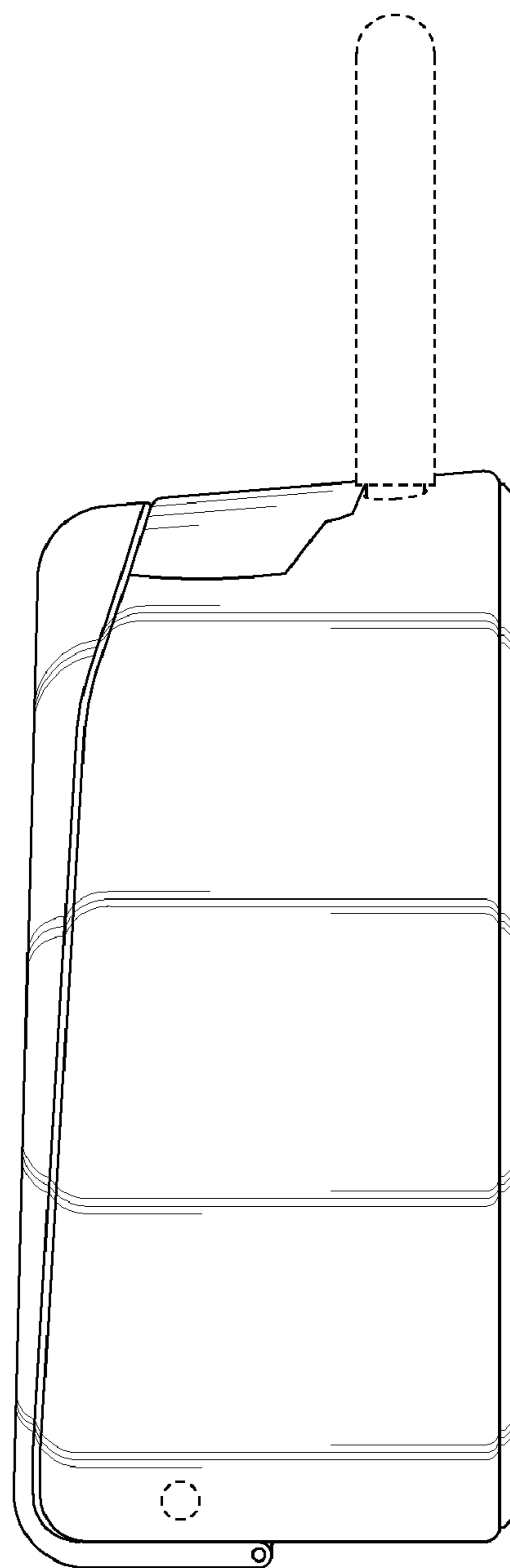


FIG. 8