



US00D655883S

(12) **United States Design Patent**
Hiroshima

(10) **Patent No.:** **US D655,883 S**

(45) **Date of Patent:** **** Mar. 13, 2012**

(54) **ELECTRIC CHAIN HOIST**

(75) Inventor: **Tetsu Hiroshima**, Yamanashi (JP)

(73) Assignee: **Kito Corporation**, Yamanashi (JP)

(**) Term: **14 Years**

(21) Appl. No.: **29/392,538**

(22) Filed: **May 23, 2011**

(30) **Foreign Application Priority Data**

Nov. 25, 2010 (JP) 2010-028160

(51) **LOC (9) Cl.** **12-05**

(52) **U.S. Cl.** **D34/33**

(58) **Field of Classification Search** D34/28,
D34/33, 35; 254/362, 356, 372, 380, 901,
254/382, 374, 316

See application file for complete search history.

(56) **References Cited**

U.S. PATENT DOCUMENTS

D278,754 S *	5/1985	Andersson et al.	D34/33
D298,078 S *	10/1988	Stoker	D34/33
D309,969 S *	8/1990	Tamura	D34/33
D473,992 S *	4/2003	Hodge	D34/33
D523,208 S *	6/2006	Inglis	D34/33
D532,577 S *	11/2006	Elliott et al.	D34/33
D550,923 S *	9/2007	Huang	D34/33
D555,874 S *	11/2007	Elliott et al.	D34/33

D556,420 S *	11/2007	Trihey et al.	D34/33
D591,923 S *	5/2009	Freitas et al.	D34/33
D595,921 S *	7/2009	Walstrom et al.	D34/33
D596,369 S *	7/2009	Walstrom et al.	D34/33
D597,105 S *	7/2009	Geisler et al.	D15/9
D599,524 S *	9/2009	Averill et al.	D34/33
D636,143 S *	4/2011	Nagase et al.	D34/33

* cited by examiner

Primary Examiner — Cynthia Ramirez

(74) *Attorney, Agent, or Firm* — Christie, Parker & Hale, LLP.

(57) **CLAIM**

The ornamental design for an electric chain hoist, as shown and described.

DESCRIPTION

FIG. 1 is a front perspective view of an electric chain hoist; FIG. 2 is a rear perspective view thereof; FIG. 3 is a front elevational view thereof; FIG. 4 is a rear elevational view; FIG. 5 is a left side elevational view thereof; FIG. 6 is a right side elevational view thereof; FIG. 7 is a top plan view thereof; and, FIG. 8 is a bottom plan view thereof.

The broken line showing in the figures is for illustrative purposes only and forms no part of the claimed design.

1 Claim, 8 Drawing Sheets

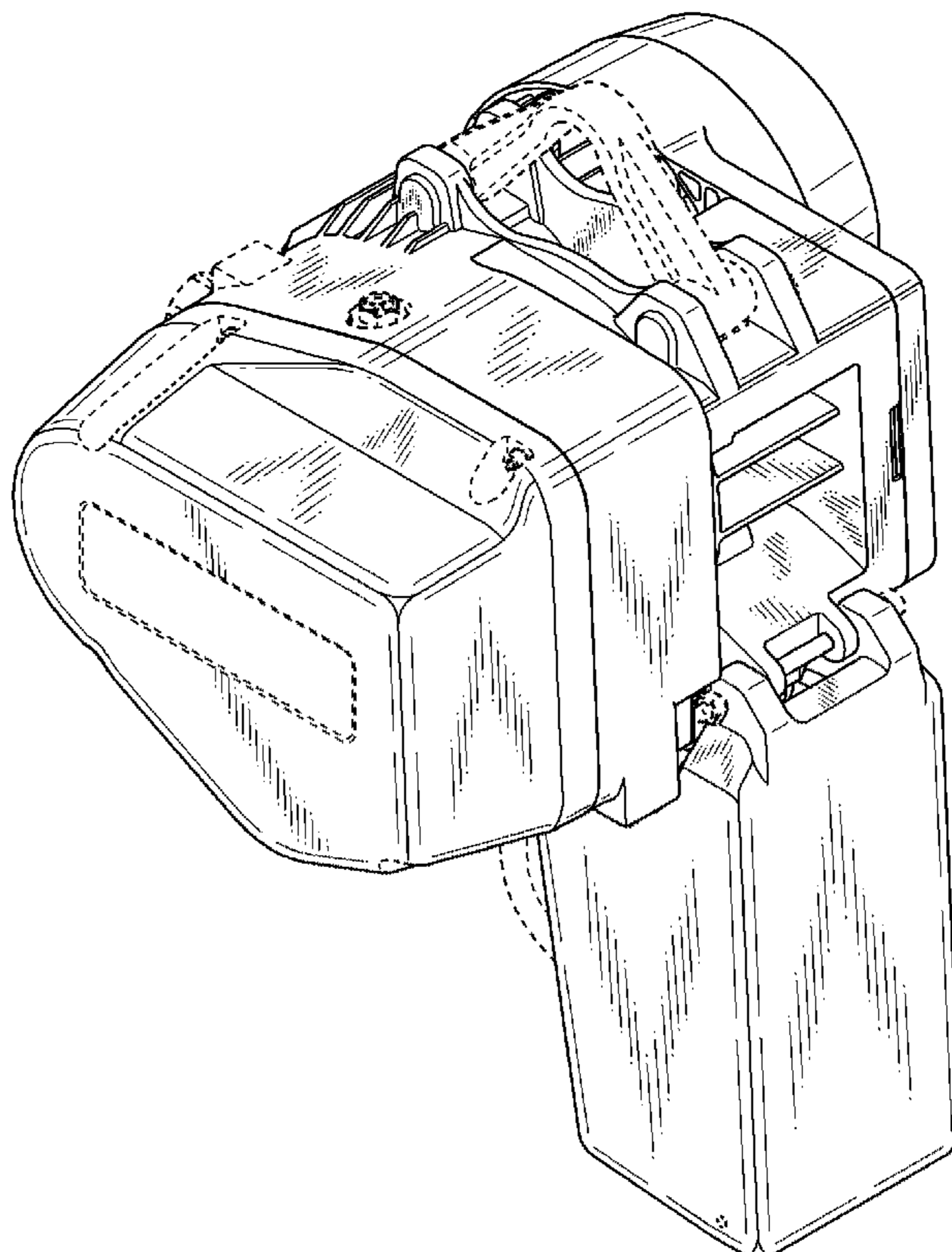


Fig. 1

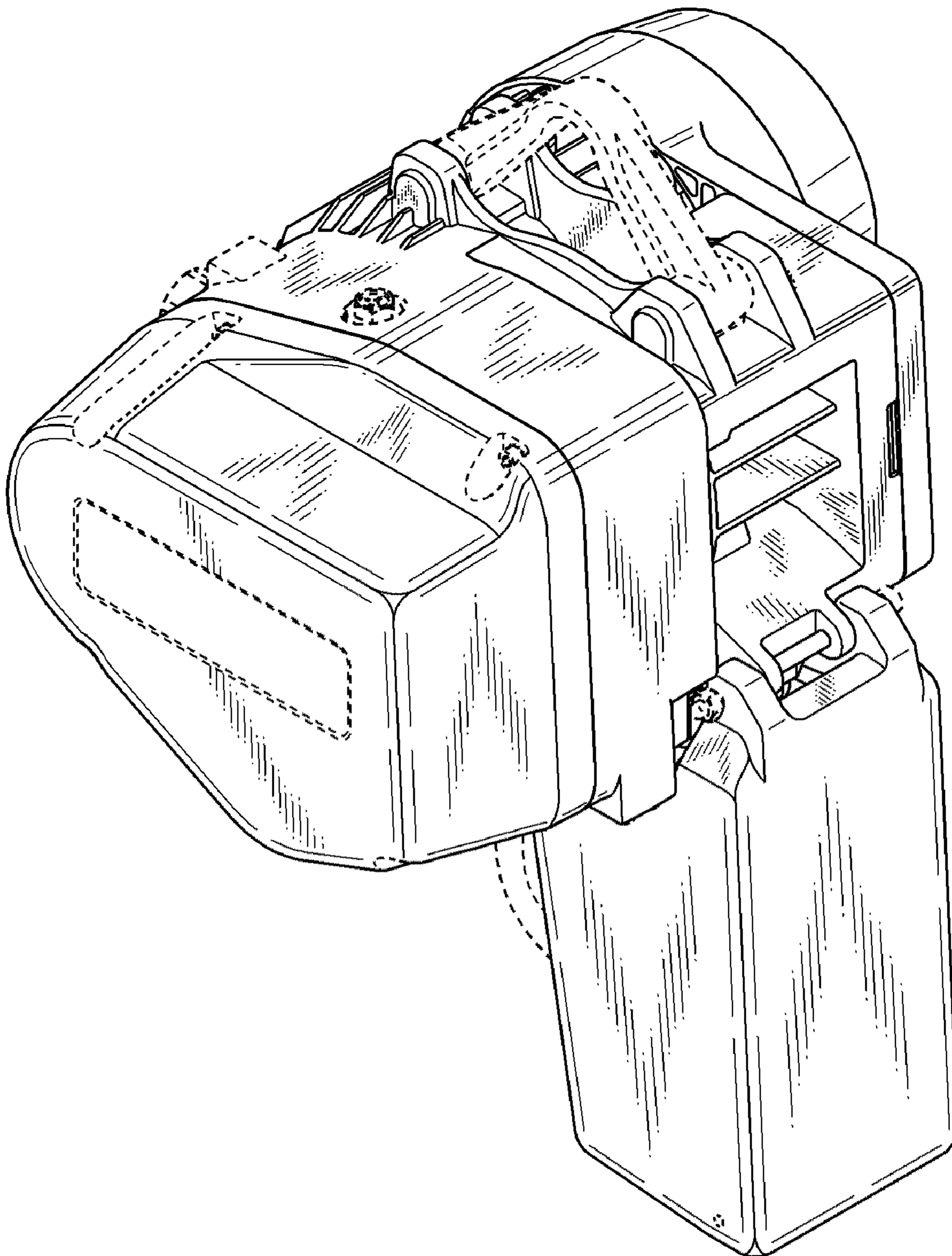


Fig.2

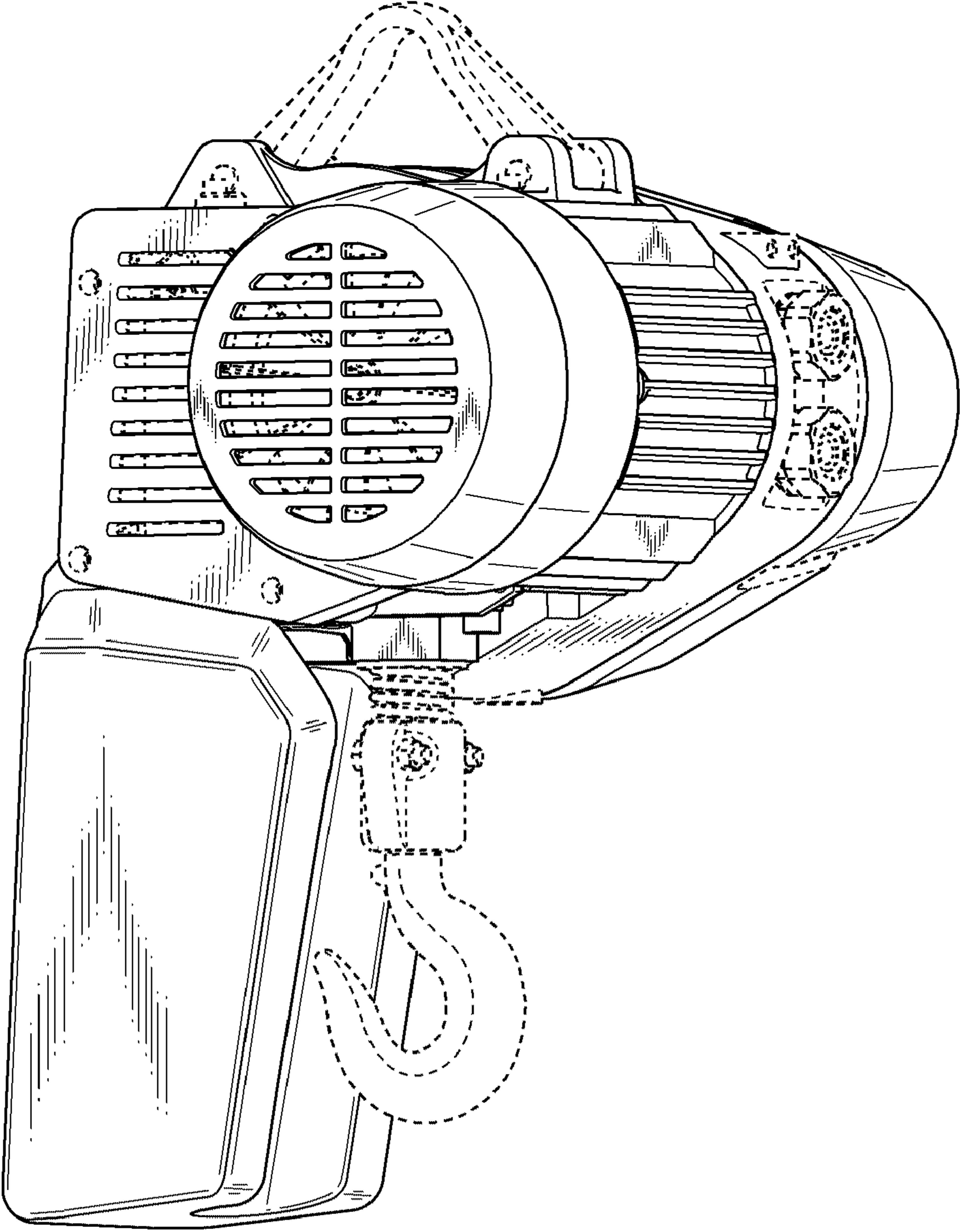


Fig. 3

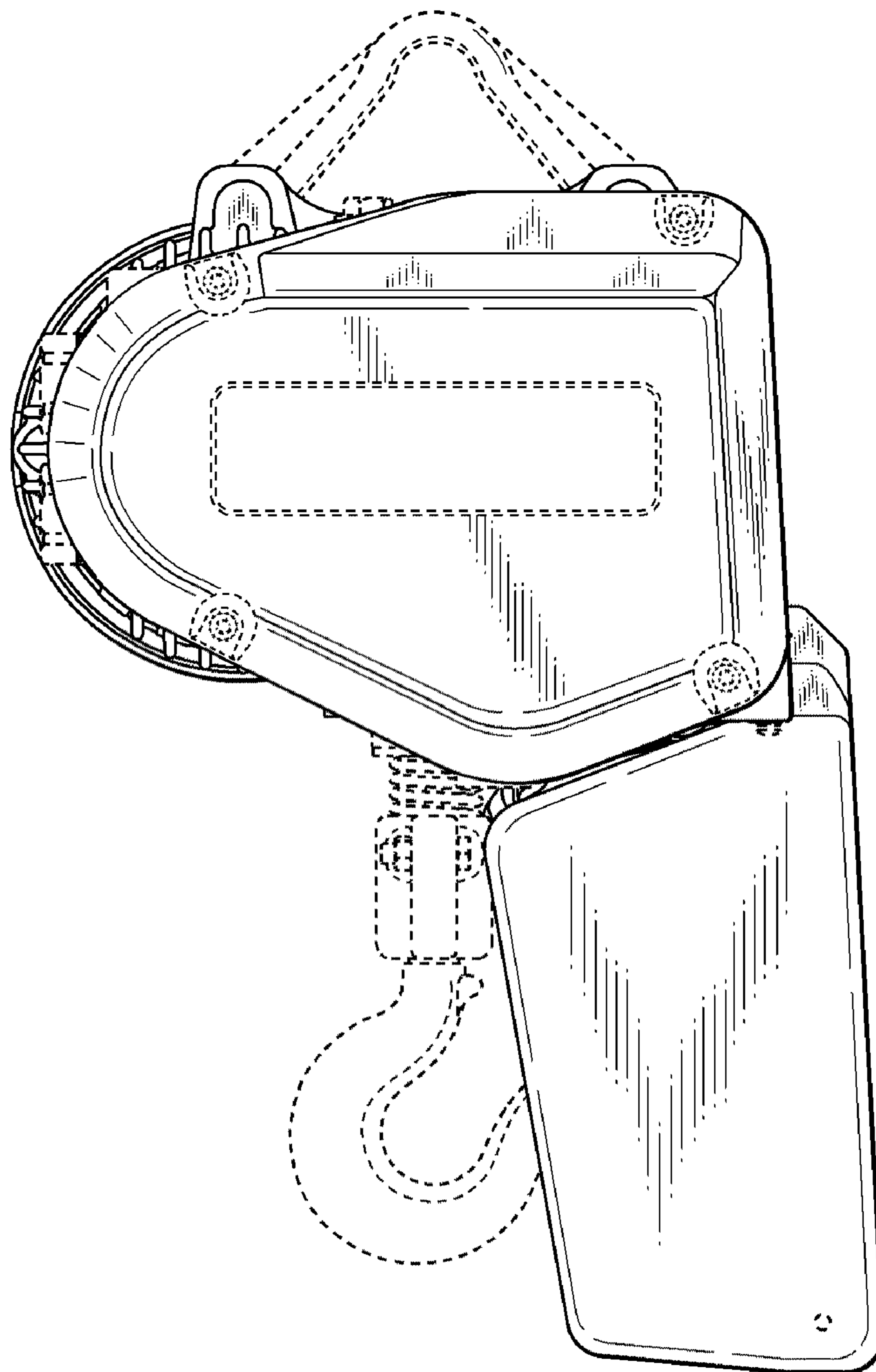


Fig. 4

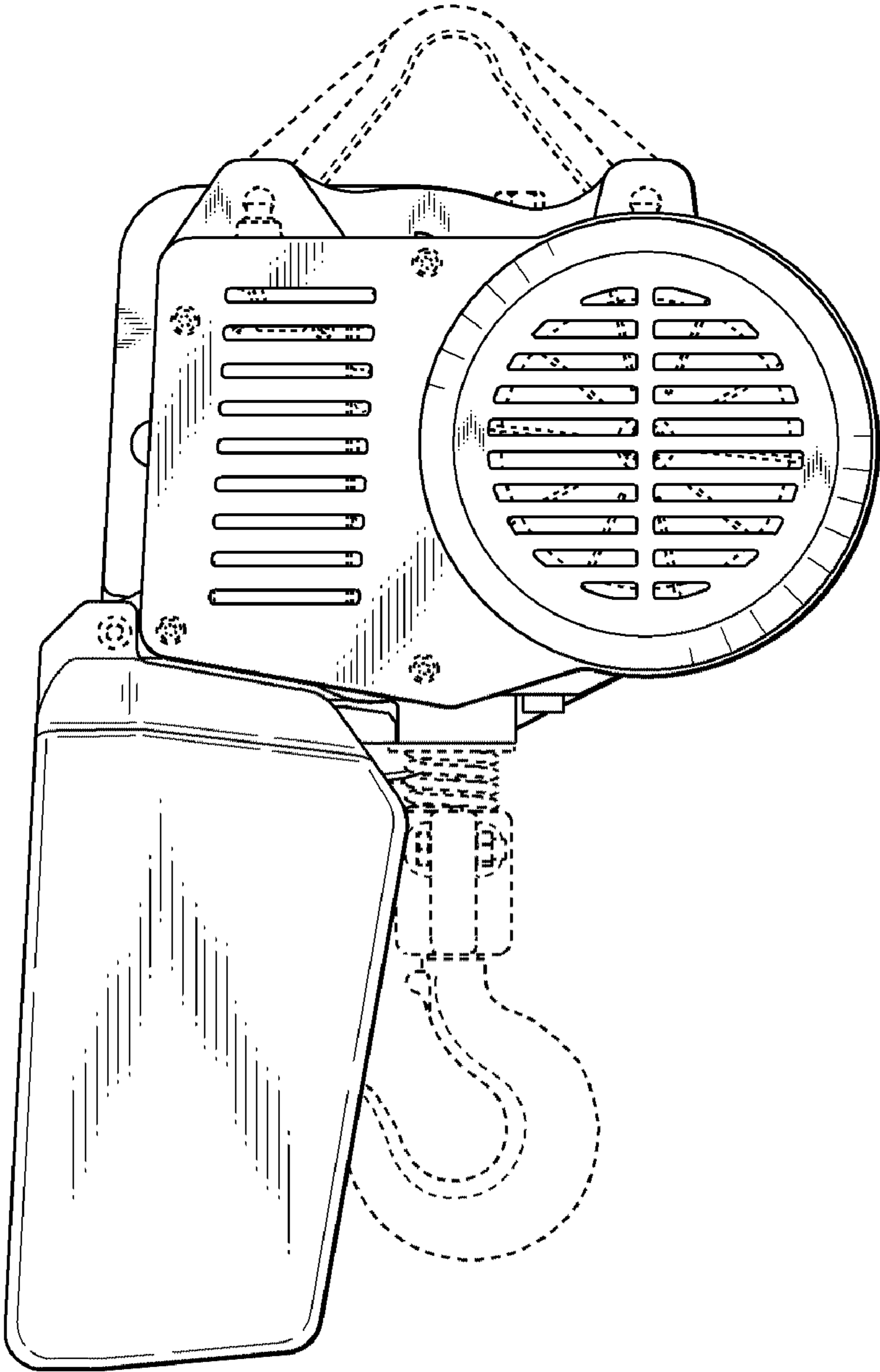


Fig.5

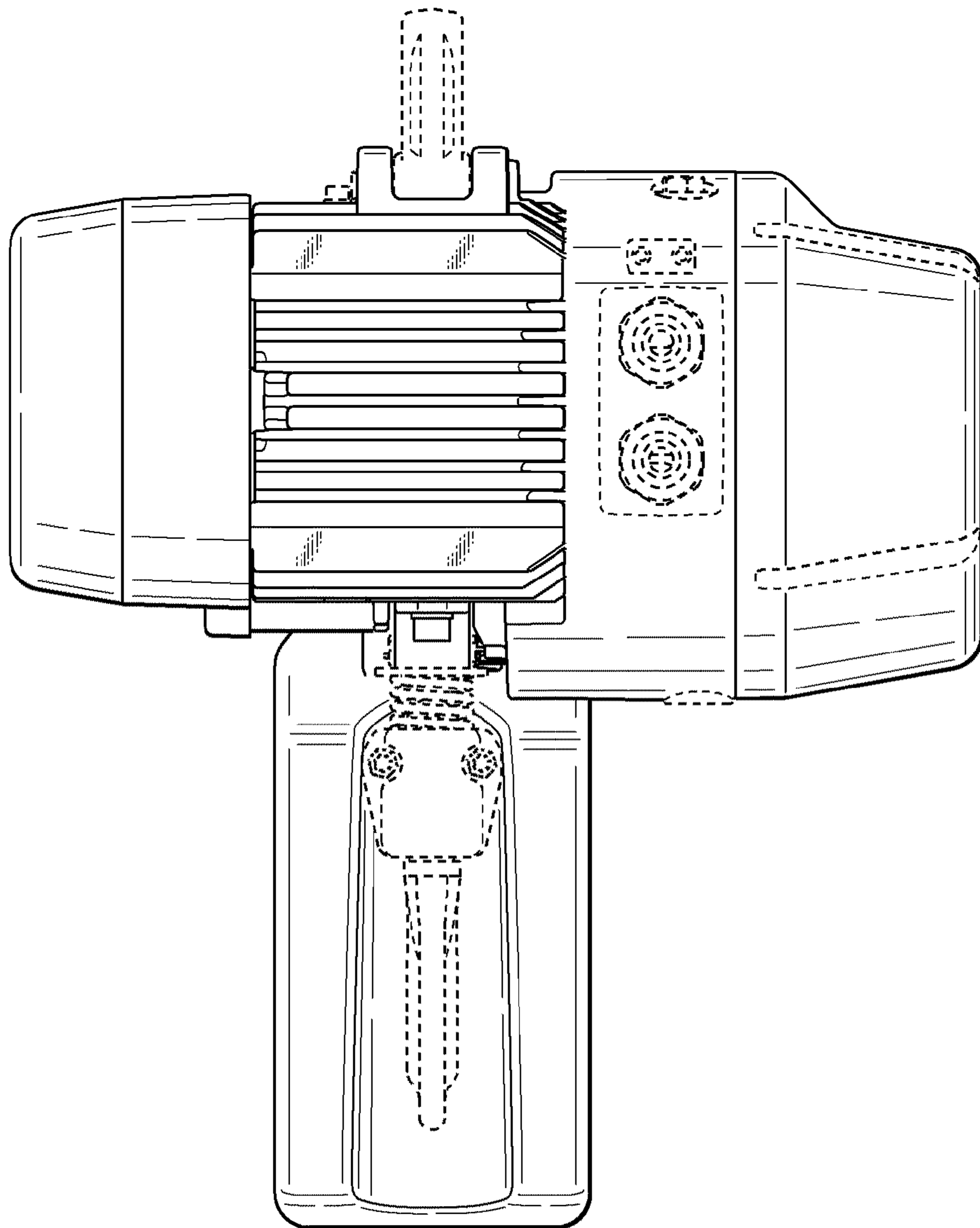


Fig.6

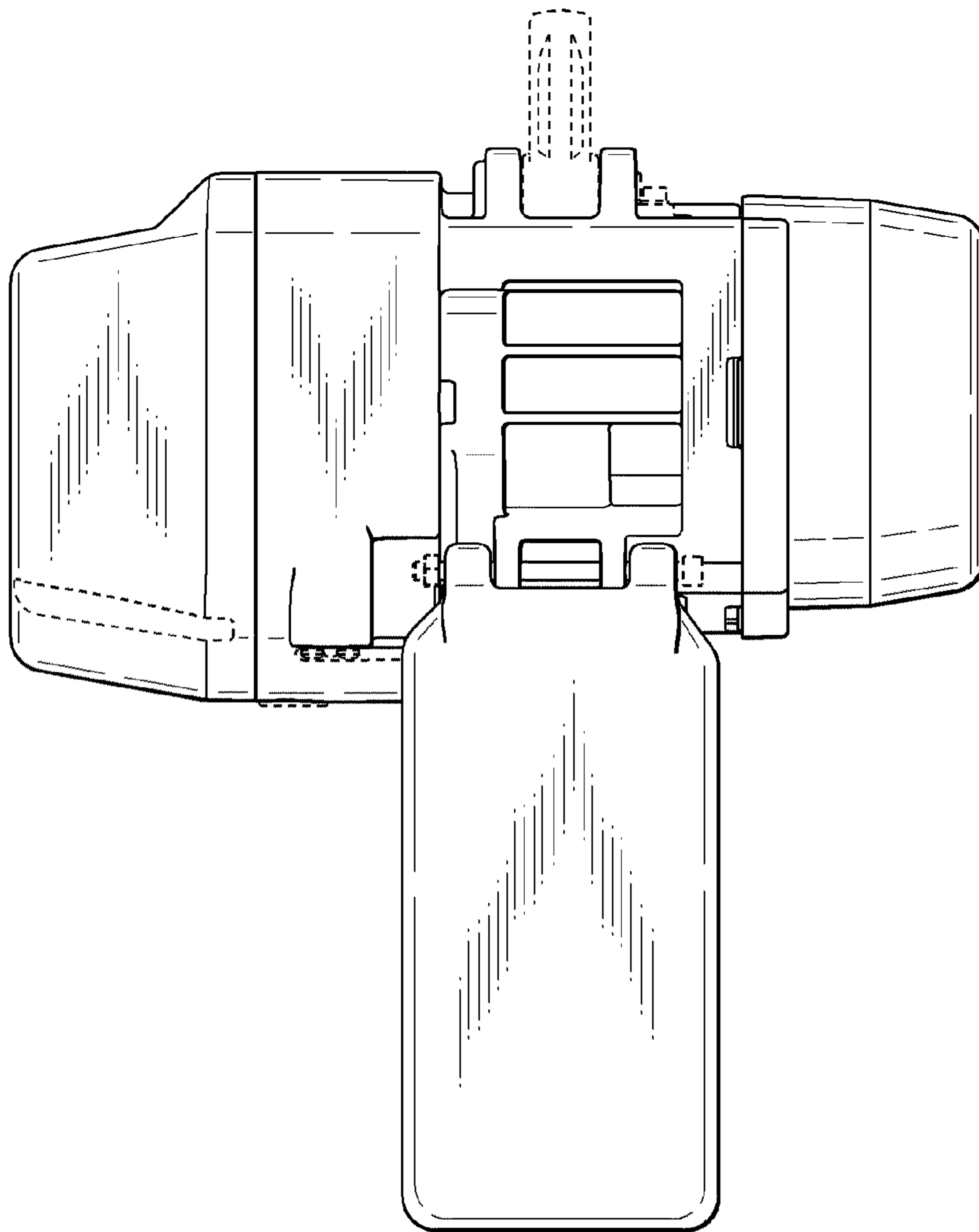


Fig. 7

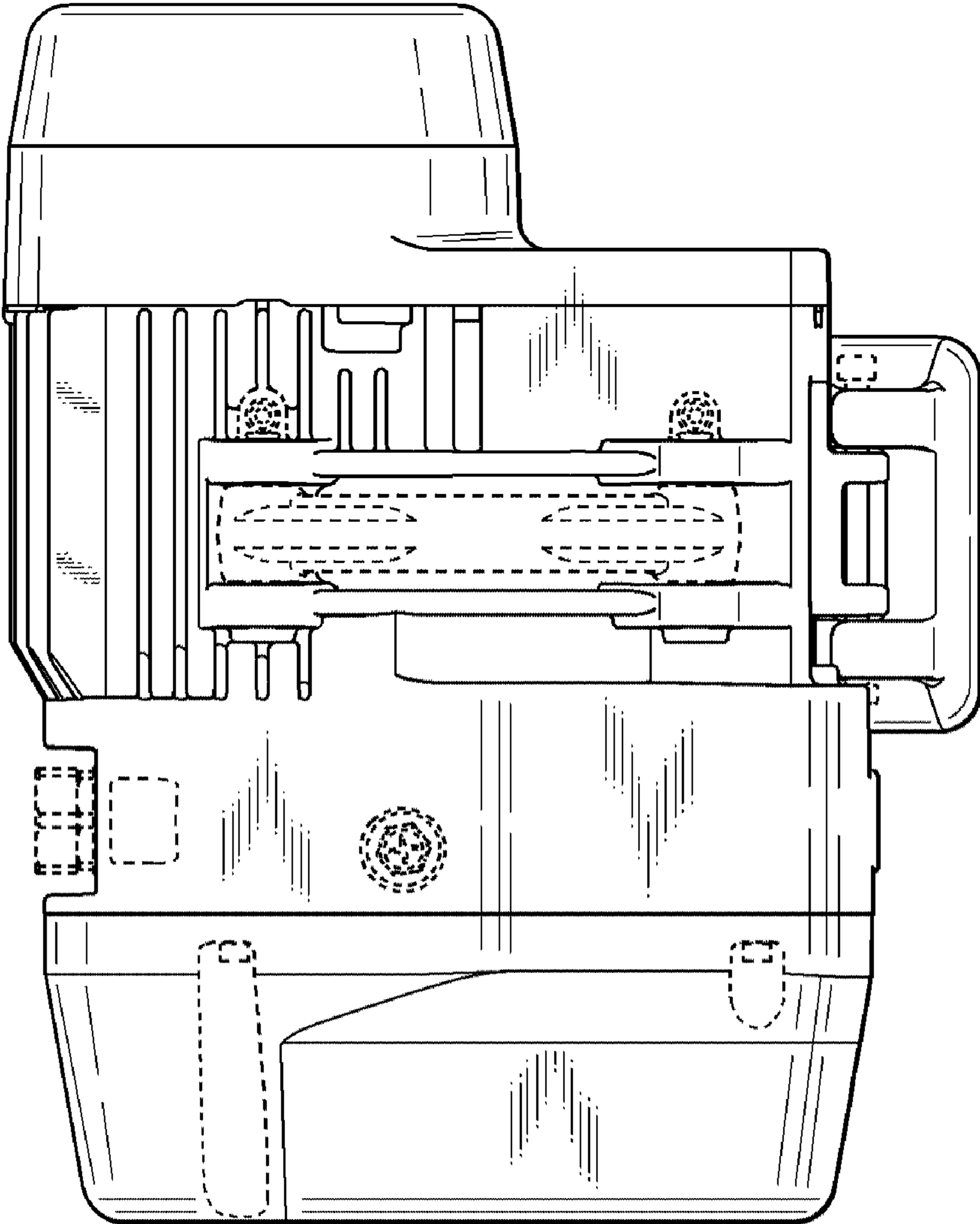


Fig.8

