



US00D655882S

(12) **United States Design Patent**
Franzaroli

(10) **Patent No.:** **US D655,882 S**
(45) **Date of Patent:** **** Mar. 13, 2012**

(54) **LINK FOR CHAIN CONVEYORS**

(75) Inventor: **Massimo Franzaroli**, Castel Maggiore (IT)

(73) Assignee: **Pulsar S.r.l.**, Castel Maggiore (Bologna) (IT)

(**) Term: **14 Years**

(21) Appl. No.: **29/382,150**

(22) Filed: **Dec. 29, 2010**

(30) **Foreign Application Priority Data**

Jun. 29, 2010 (IT) BO2010A0415
Jul. 1, 2010 (EM) 001222491-0001/0002

(51) **LOC (9) Cl.** **12-05**

(52) **U.S. Cl.** **D34/29**

(58) **Field of Classification Search** D34/29,
D34/35, 28; D8/499; 198/851, 838, 853,
198/850; 474/212

See application file for complete search history.

(56) **References Cited**

U.S. PATENT DOCUMENTS

2,911,091 A * 11/1959 Imse 198/853
3,442,076 A * 5/1969 Marzo 59/90

3,868,011 A * 2/1975 Janzen et al. 198/853
4,676,368 A * 6/1987 Damkjar 198/852
D291,777 S * 9/1987 Lapeyre et al. D34/29
5,797,820 A * 8/1998 Endo 474/230
D486,289 S * 2/2004 Abbestam D34/29
D503,841 S * 4/2005 Damkjaer D34/29
6,978,885 B1 * 12/2005 Schumacher 198/851
7,097,032 B2 * 8/2006 Hartman et al. 198/853
D638,603 S * 5/2011 Jansen et al. D34/29
2007/0181408 A1 * 8/2007 Schoepf 198/850

* cited by examiner

Primary Examiner — Cynthia Ramirez

(74) *Attorney, Agent, or Firm* — Young & Thompson

(57) **CLAIM**

The ornamental design for a link for chain conveyors, as shown and described.

DESCRIPTION

FIG. 1 is a perspective view of a link chain conveyor showing the new design;

FIG. 2 is a top plan view thereof;

FIG. 3 is a bottom plan view thereof;

FIG. 4 is a front view thereof;

FIG. 5 is a rear view thereof; and,

FIG. 6 is a side view thereof.

1 Claim, 2 Drawing Sheets

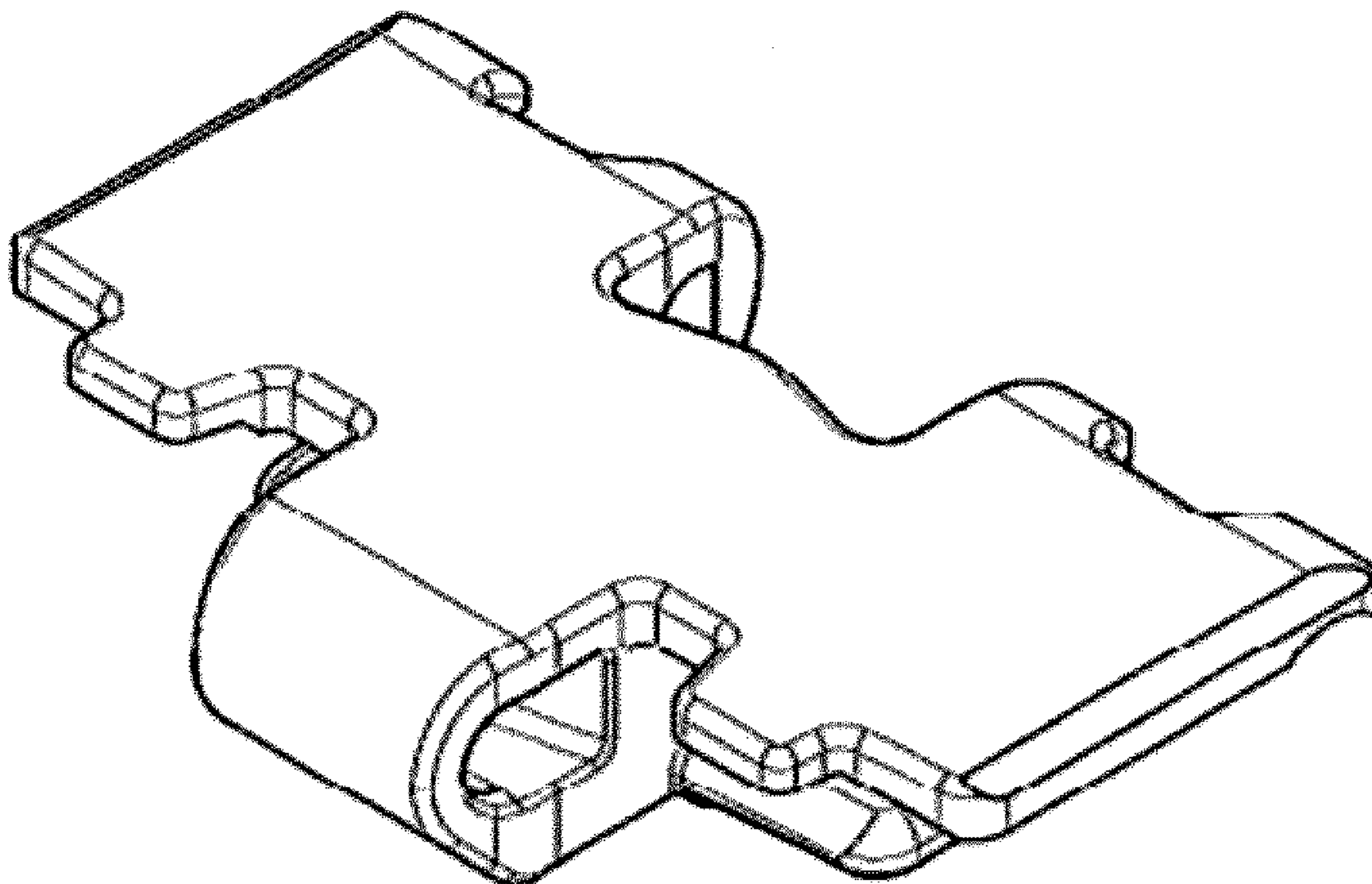


Fig. 1

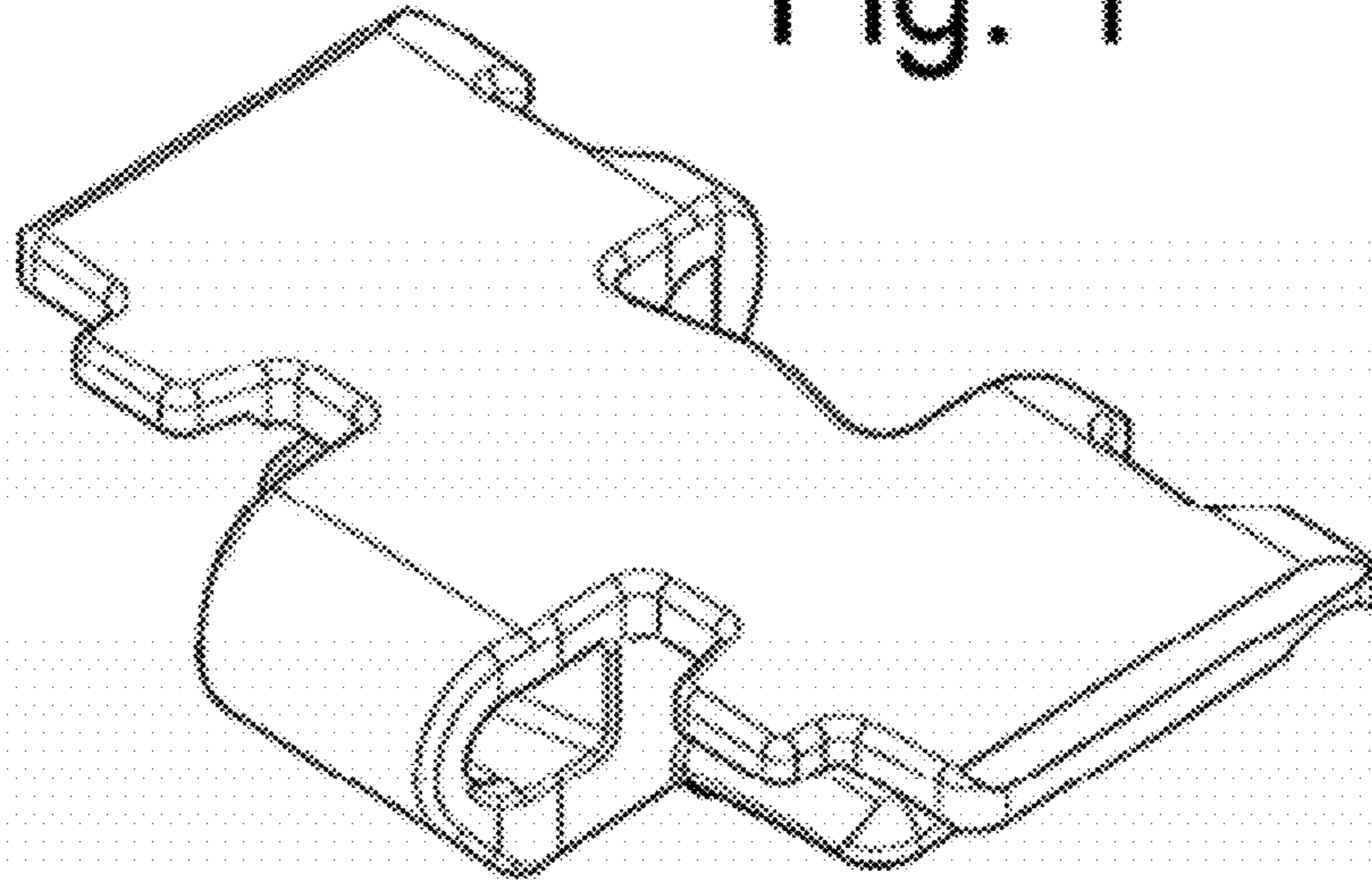


Fig. 2

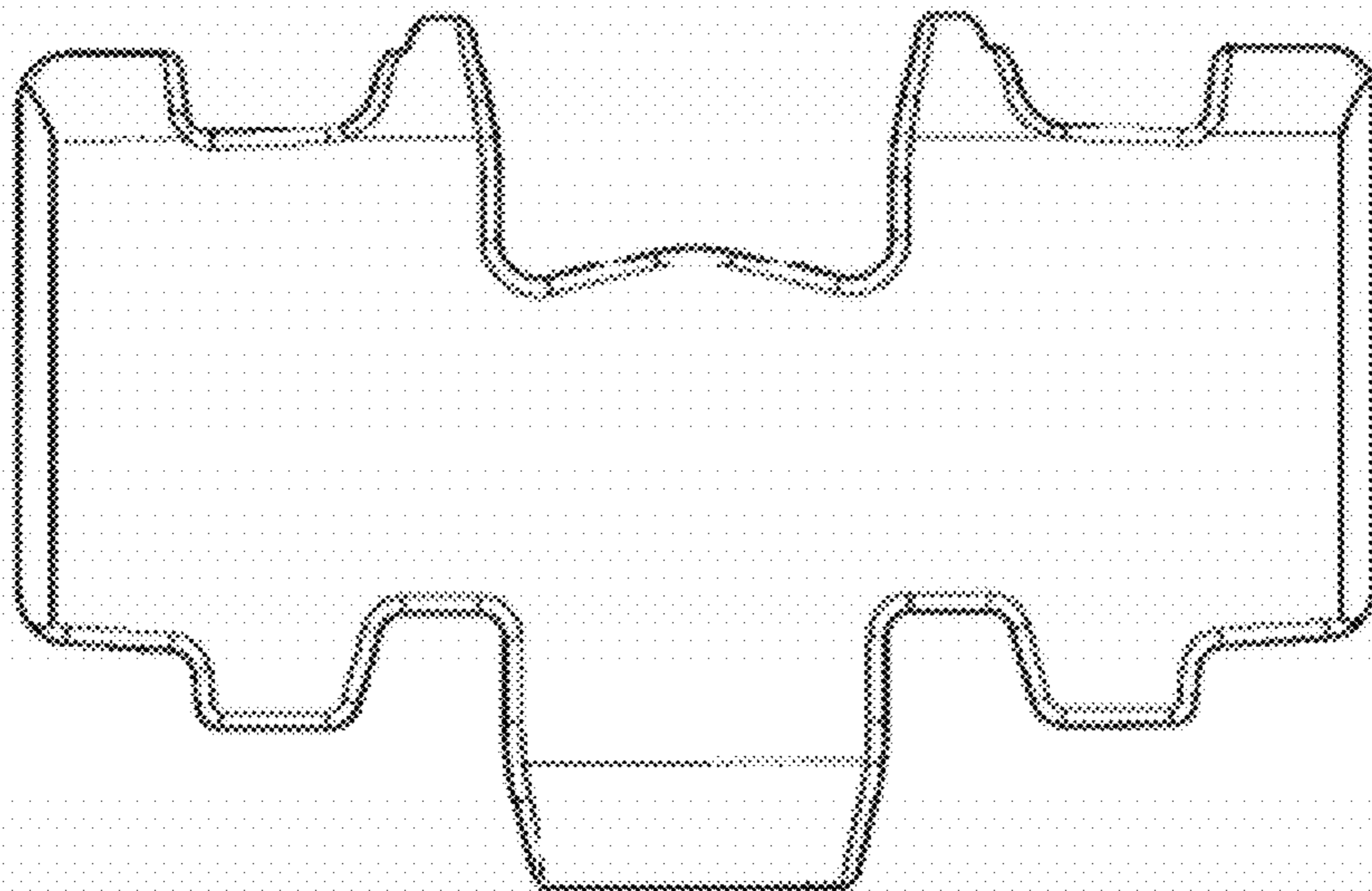


Fig. 3

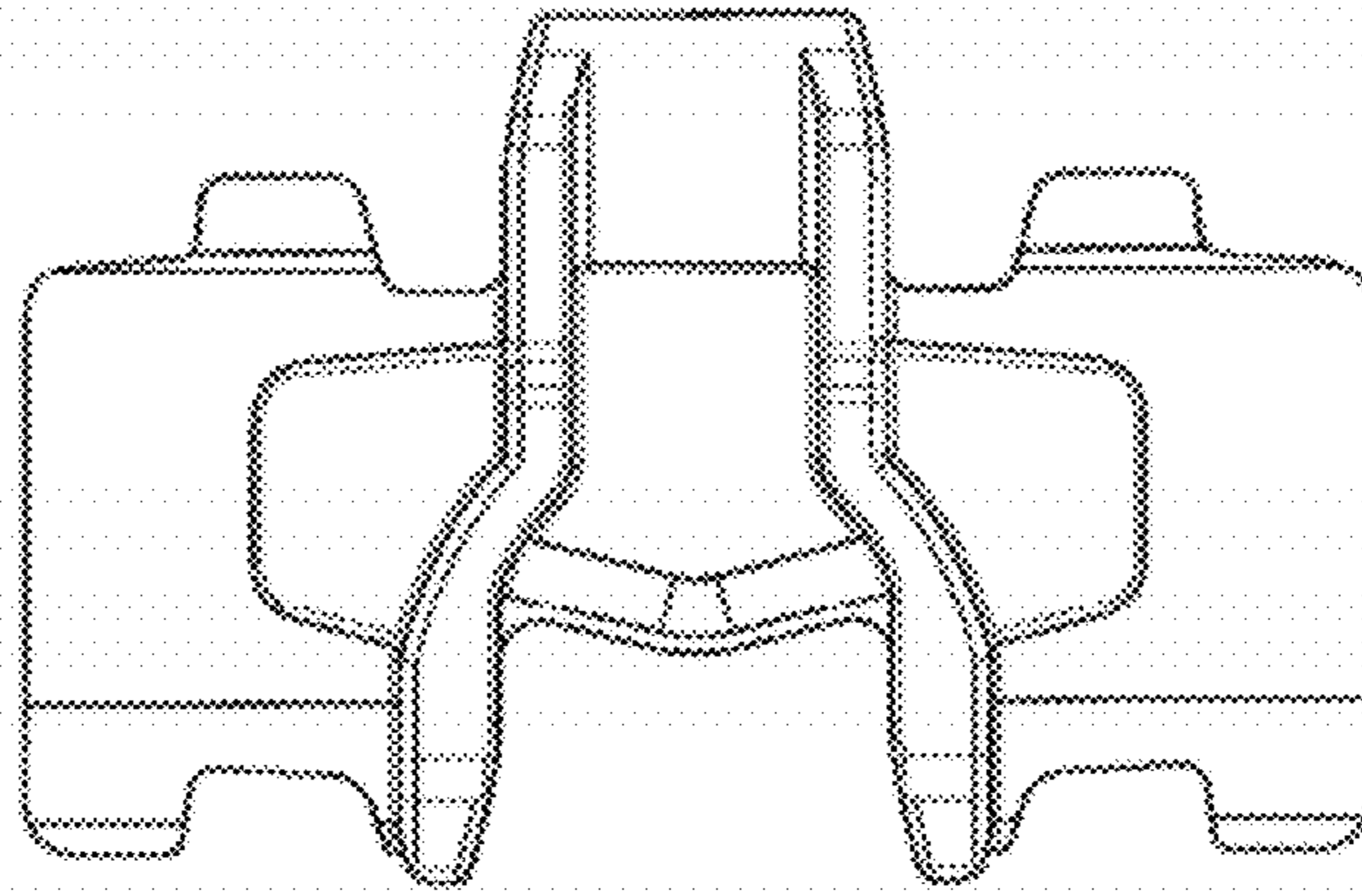


Fig. 4

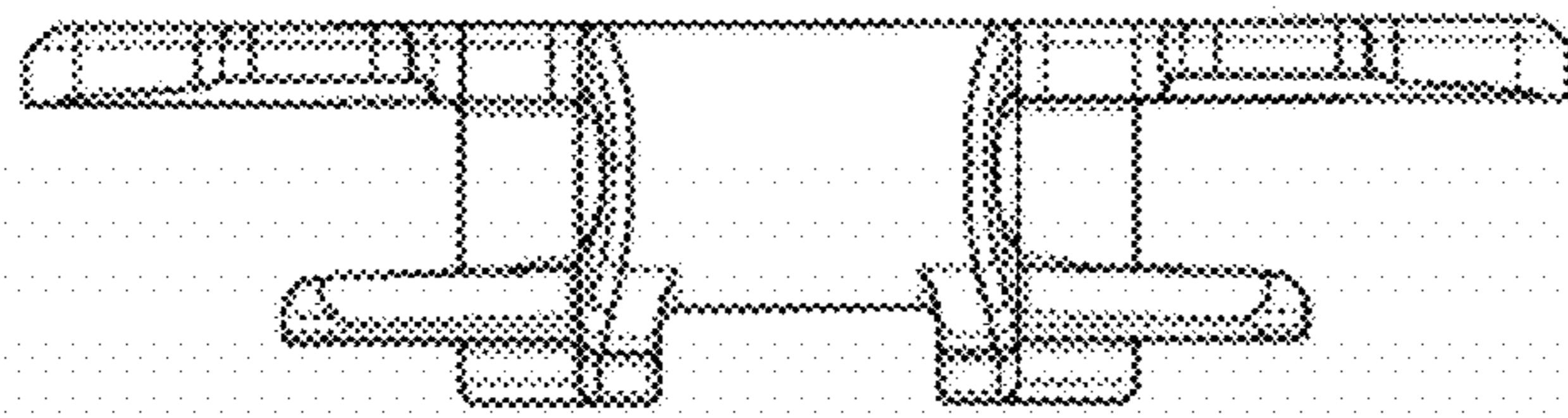


Fig. 5

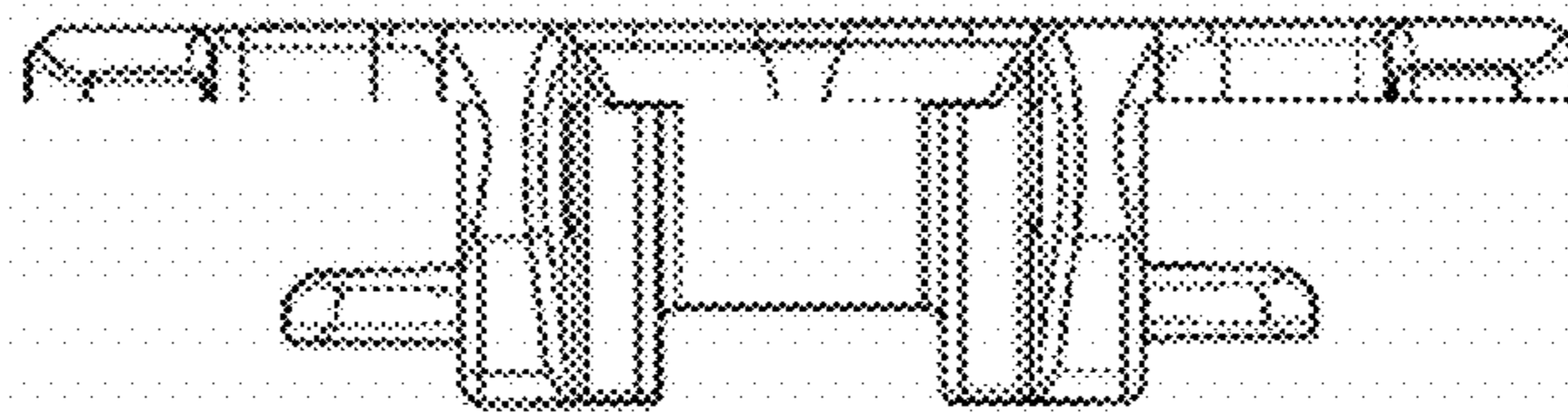


Fig. 6

