



US00D655880S

(12) **United States Design Patent**  
**Giampavolo et al.**

(10) **Patent No.:** **US D655,880 S**  
(45) **Date of Patent:** **\*\* Mar. 13, 2012**

(54) **CART FOR LARGE AREA OBJECTS**

(75) Inventors: **Paul Giampavolo**, Newton, NJ (US);  
**Christopher M. Johnson**, Glen Allen,  
VA (US)

(73) Assignee: **Safe-Strap Company, Inc.**, Wharton, NJ  
(US)

(\*\*) Term: **14 Years**

(21) Appl. No.: **29/391,461**

(22) Filed: **May 9, 2011**

(51) **LOC (9) Cl.** ..... **12-02**

(52) **U.S. Cl.** ..... **D34/12**

(58) **Field of Classification Search** ..... D34/12-27;  
280/33.991, 33.992, 33.993, 33.994, 47.18,  
280/47.26, 47.34

See application file for complete search history.

(56) **References Cited**

**U.S. PATENT DOCUMENTS**

D246,301 S *	11/1977	Trubiano	.....	D12/129
D263,456 S *	3/1982	Muellner	.....	D34/18
D343,039 S	1/1994	Knox		
D360,513 S	7/1995	Thompson		
D363,589 S	10/1995	Lafleur et al.		
D365,904 S *	1/1996	Adamson et al.	.....	D34/17
D367,348 S *	2/1996	Basharat	.....	D34/18
6,260,863 B1	7/2001	Orozco et al.		
D449,913 S	10/2001	Walter		
D455,243 S	4/2002	Walter		
D465,313 S *	11/2002	Le Marchand	.....	D34/18
D465,632 S *	11/2002	Koppes et al.	.....	D34/17
D465,633 S *	11/2002	Le Marchand	.....	D34/18
D470,084 S	2/2003	Schlough et al.		
D472,026 S	3/2003	Walter		
D472,027 S *	3/2003	Walter	.....	D34/21

D473,691 S	4/2003	Kolada et al.		
D493,932 S	8/2004	Prather et al.		
D520,209 S	5/2006	Duchene		
D546,018 S	7/2007	Goodell		
D548,421 S	8/2007	Walter		
D548,919 S	8/2007	Dietzel et al.		
D576,372 S	9/2008	Walter		
D588,775 S	3/2009	Peota et al.		
D589,671 S	3/2009	Rolim De Oliveira		
D589,852 S *	4/2009	Giampavolo	.....	D12/133
D596,366 S *	7/2009	Giampavolo	.....	D34/17
D606,722 S *	12/2009	Walter	.....	D34/12
D635,731 S *	4/2011	Schloemer	.....	D34/12
2009/0206568 A1 *	8/2009	Lee	.....	280/47.26

\* cited by examiner

*Primary Examiner* — Cynthia Ramirez

(74) *Attorney, Agent, or Firm* — Weingarten, Schurgin,  
Gagnebin & Lebovici LLP

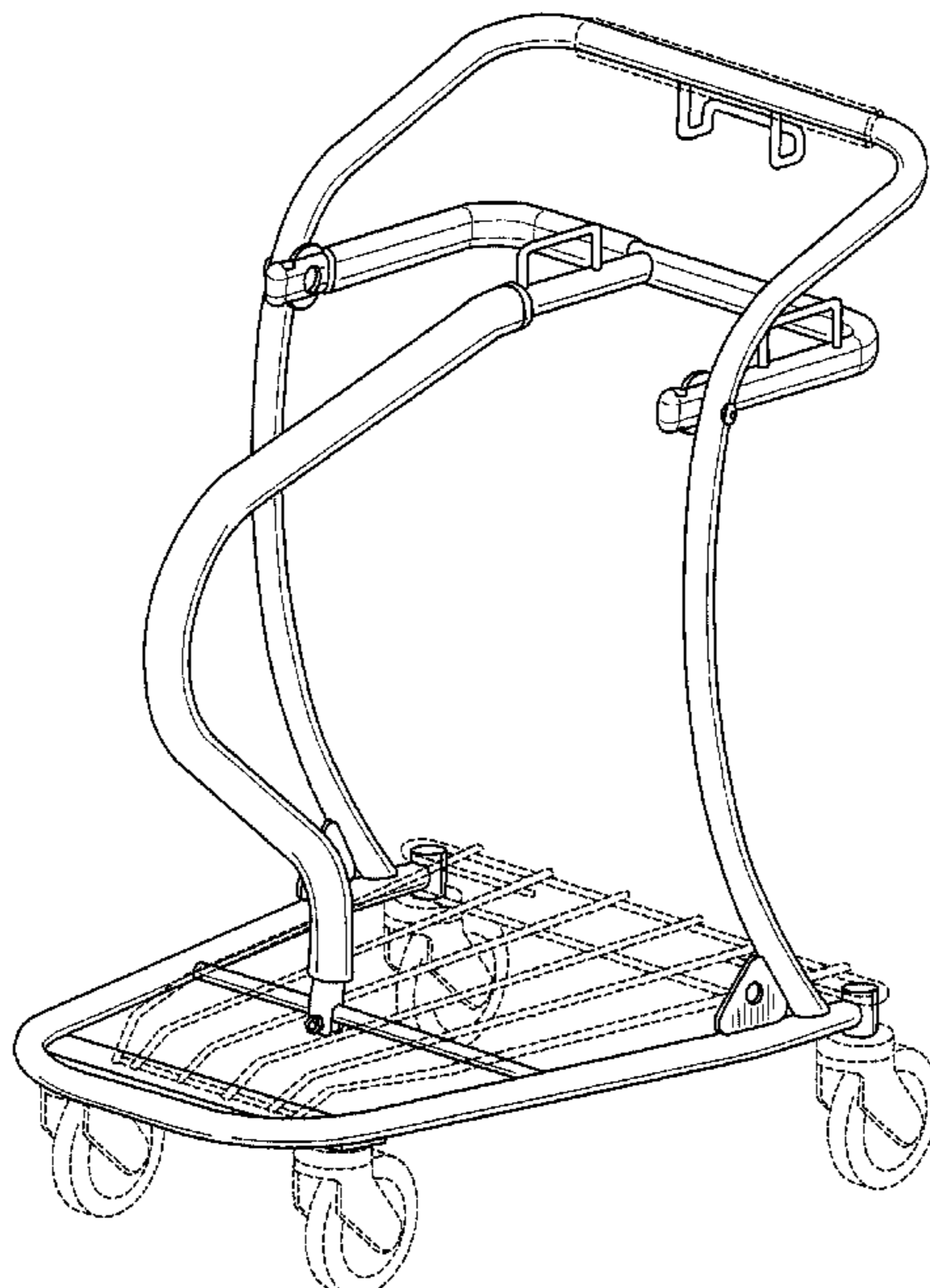
(57) **CLAIM**

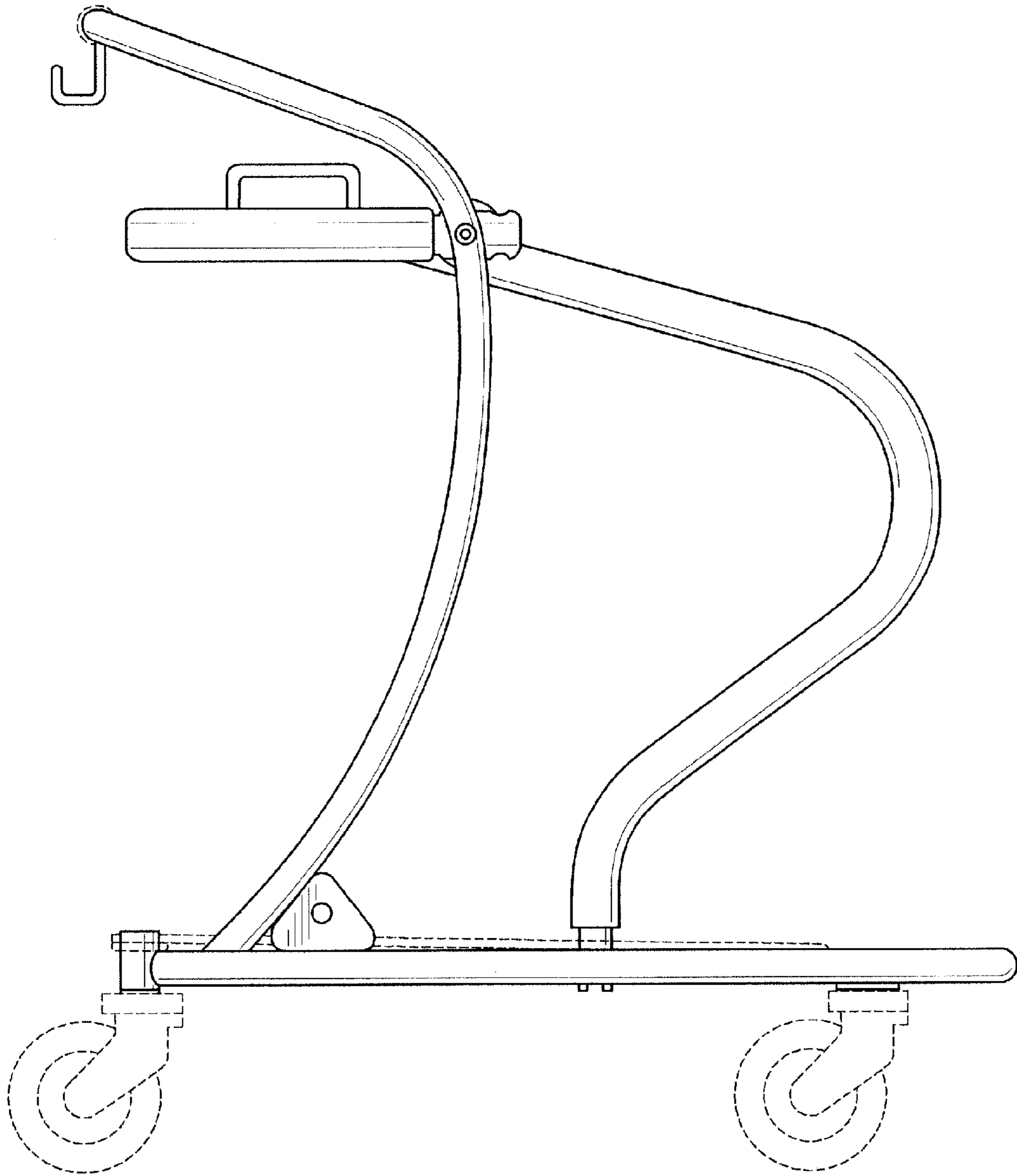
The ornamental design for a cart for large area objects, as shown and described.

**DESCRIPTION**

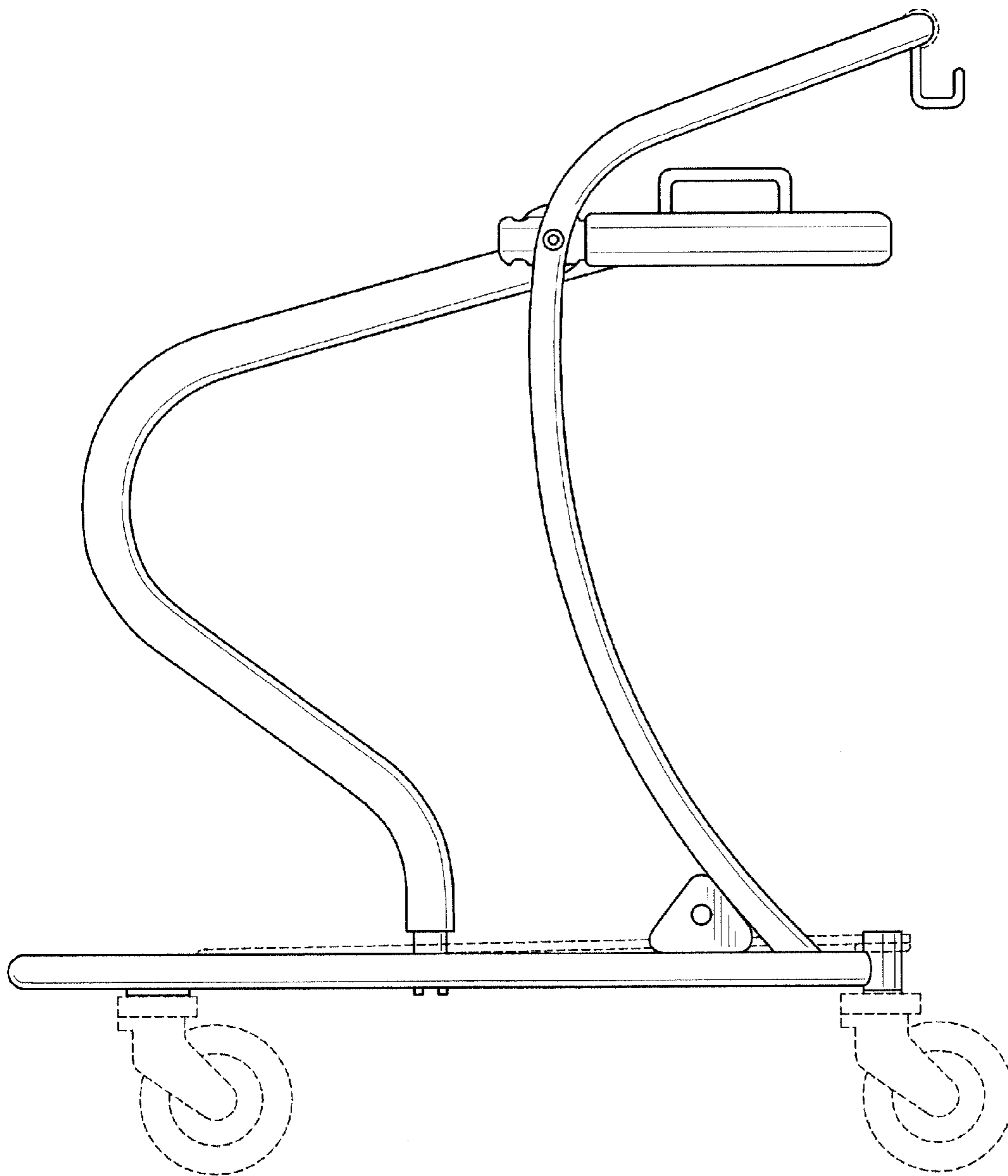
FIG. 1 is a right side elevation view of a cart for large area objects showing our new design;  
FIG. 2 is a left side elevation view thereof;  
FIG. 3 is a rear elevation view thereof;  
FIG. 4 is a front elevation view thereof;  
FIG. 5 is a top plan view thereof;  
FIG. 6 is a bottom plan view thereof;  
FIG. 7 is a rear perspective view thereof; and,  
FIG. 8 is a front perspective view thereof.  
Broken dash lines showing other elements of a cart are for illustrative purposes only and form no part of the claimed design.

**1 Claim, 8 Drawing Sheets**

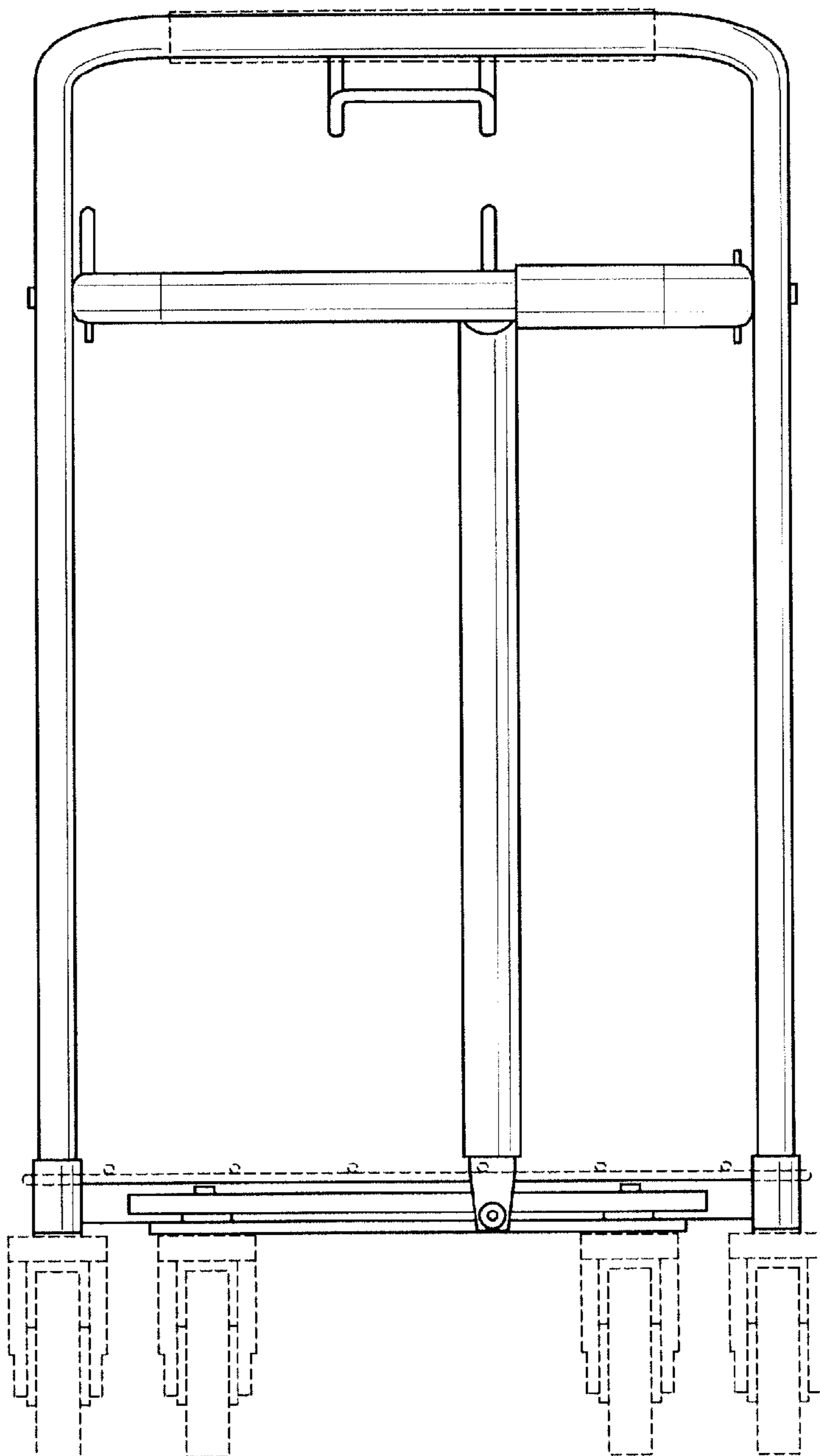




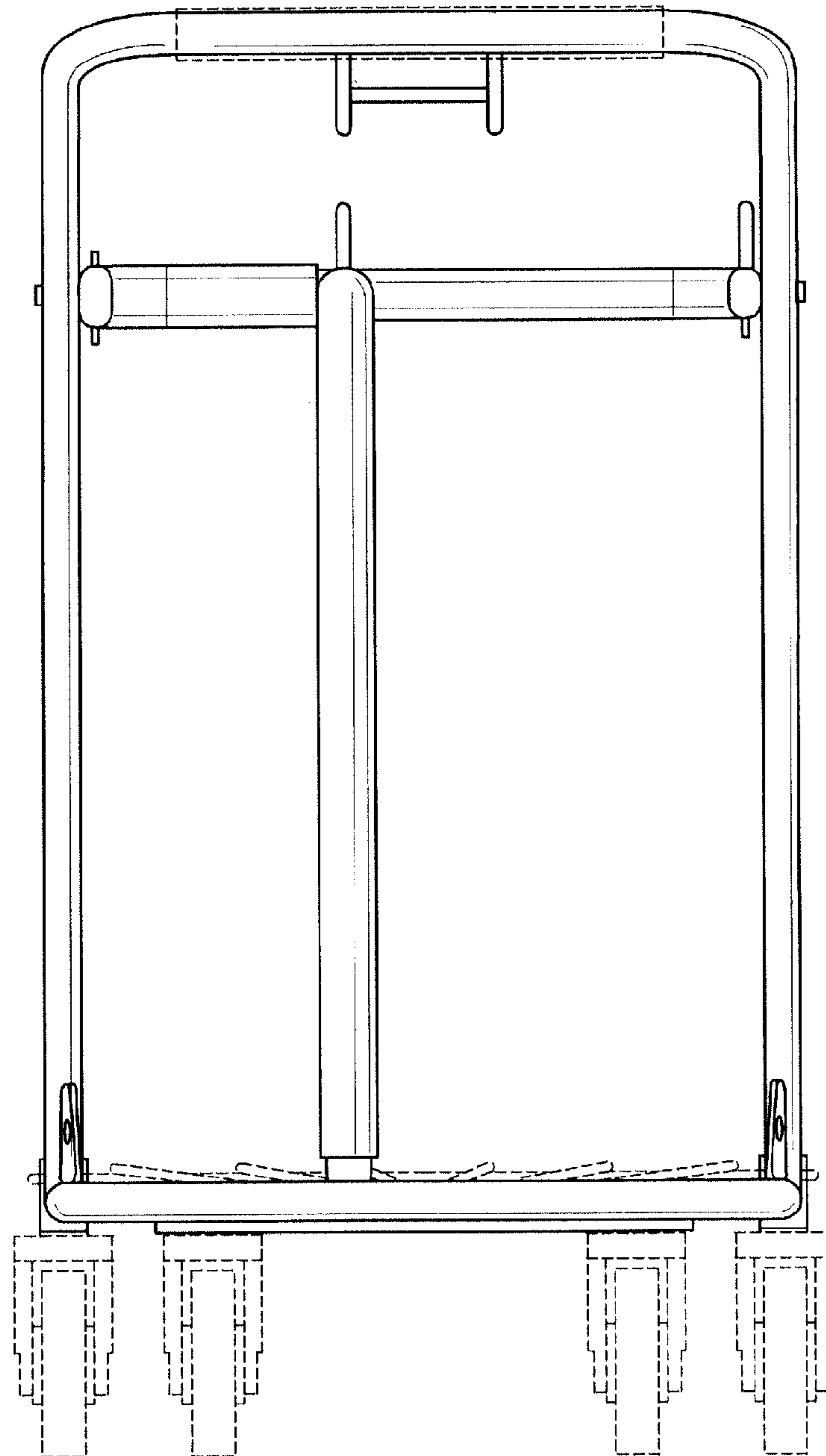
**FIG. 1**



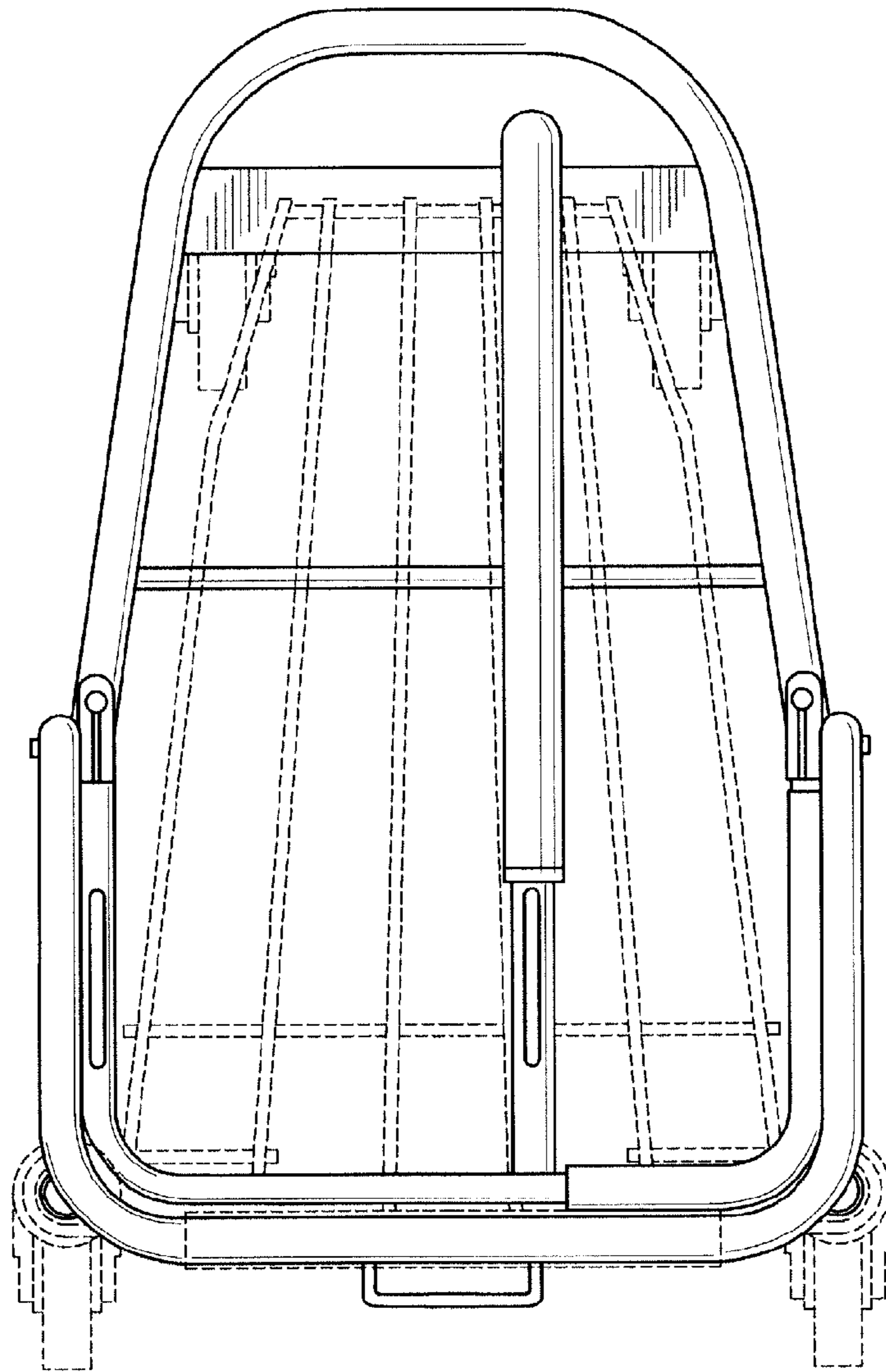
**FIG. 2**



**FIG. 3**

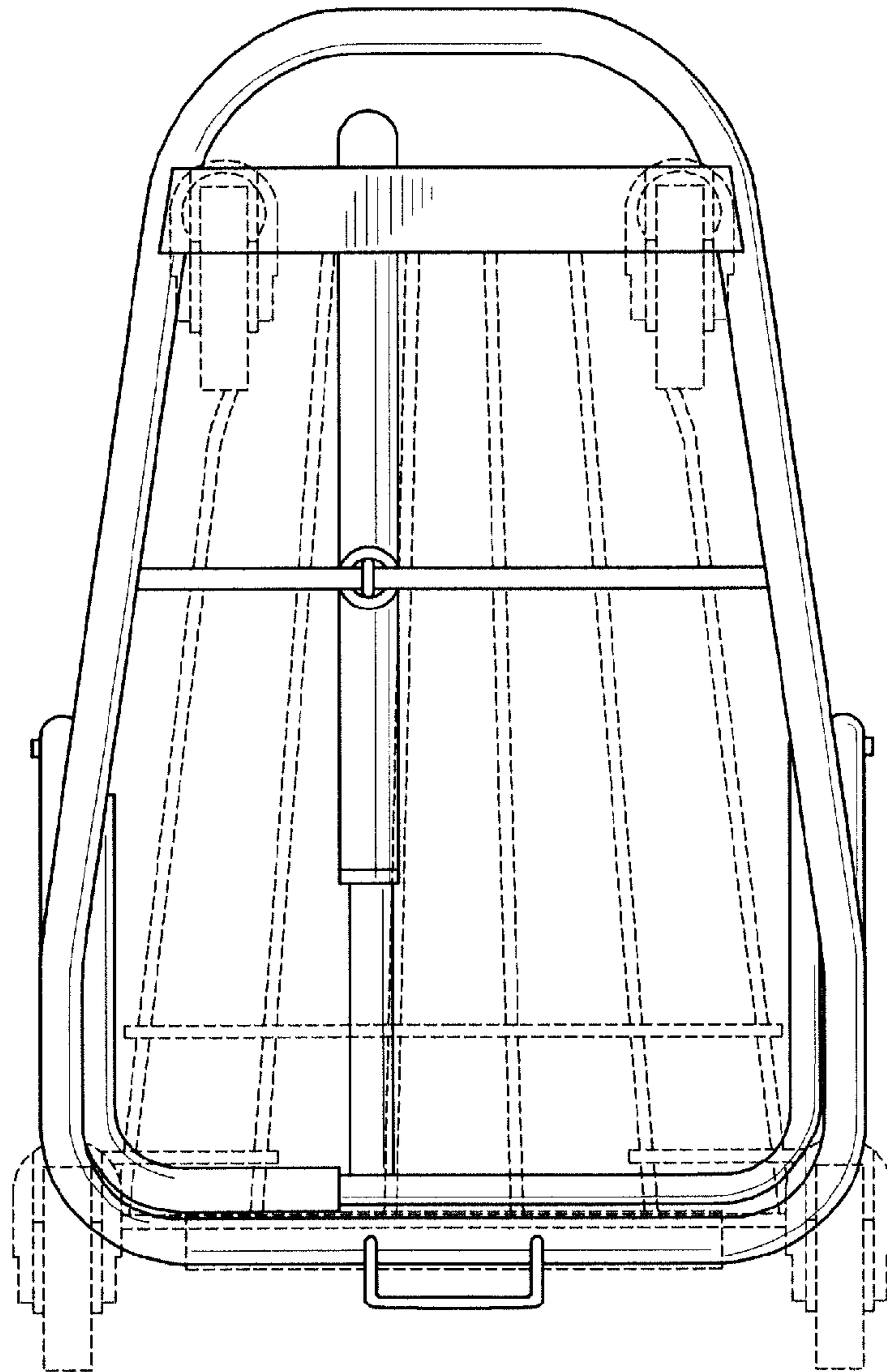


**FIG. 4**

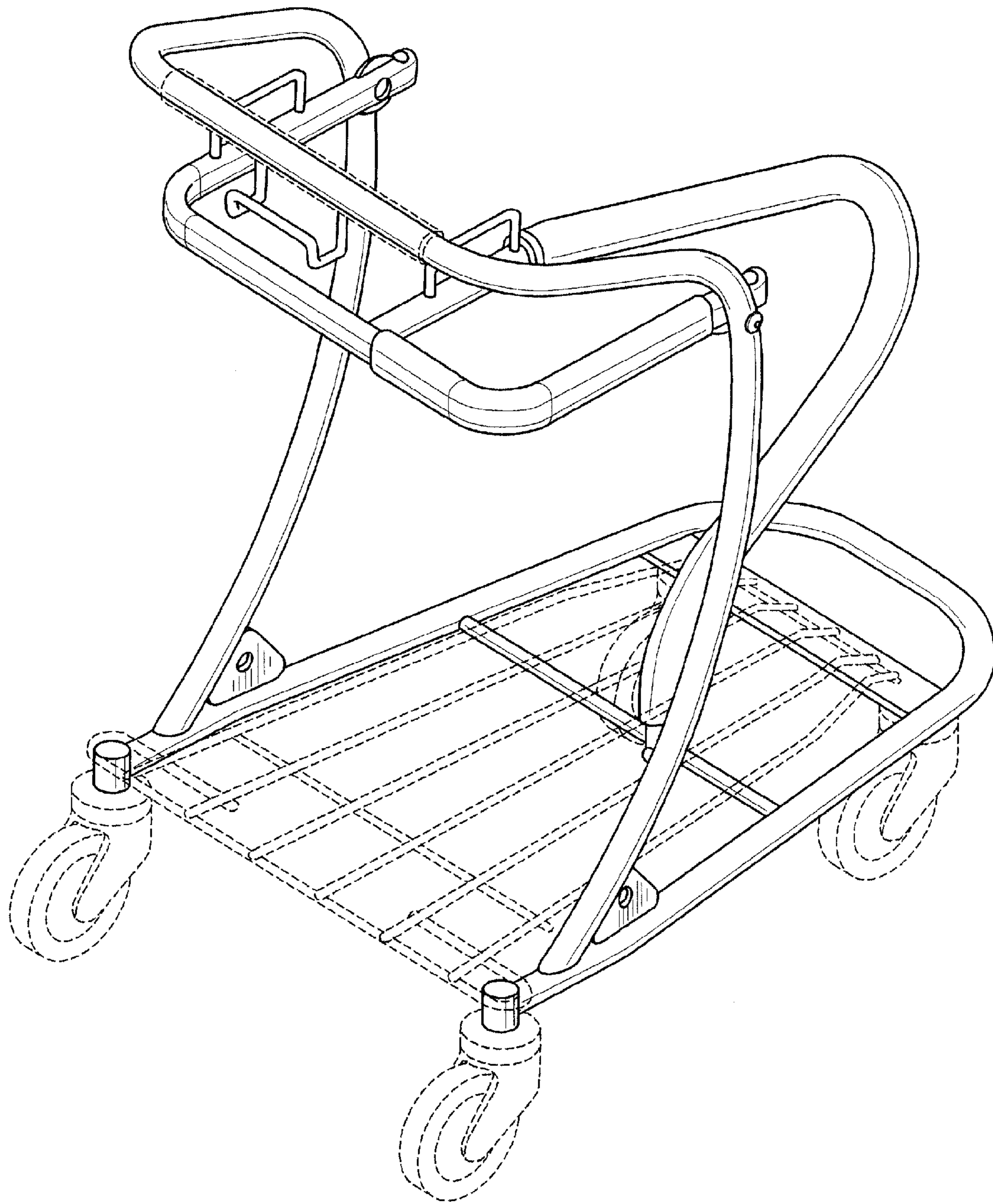


**FIG. 5**



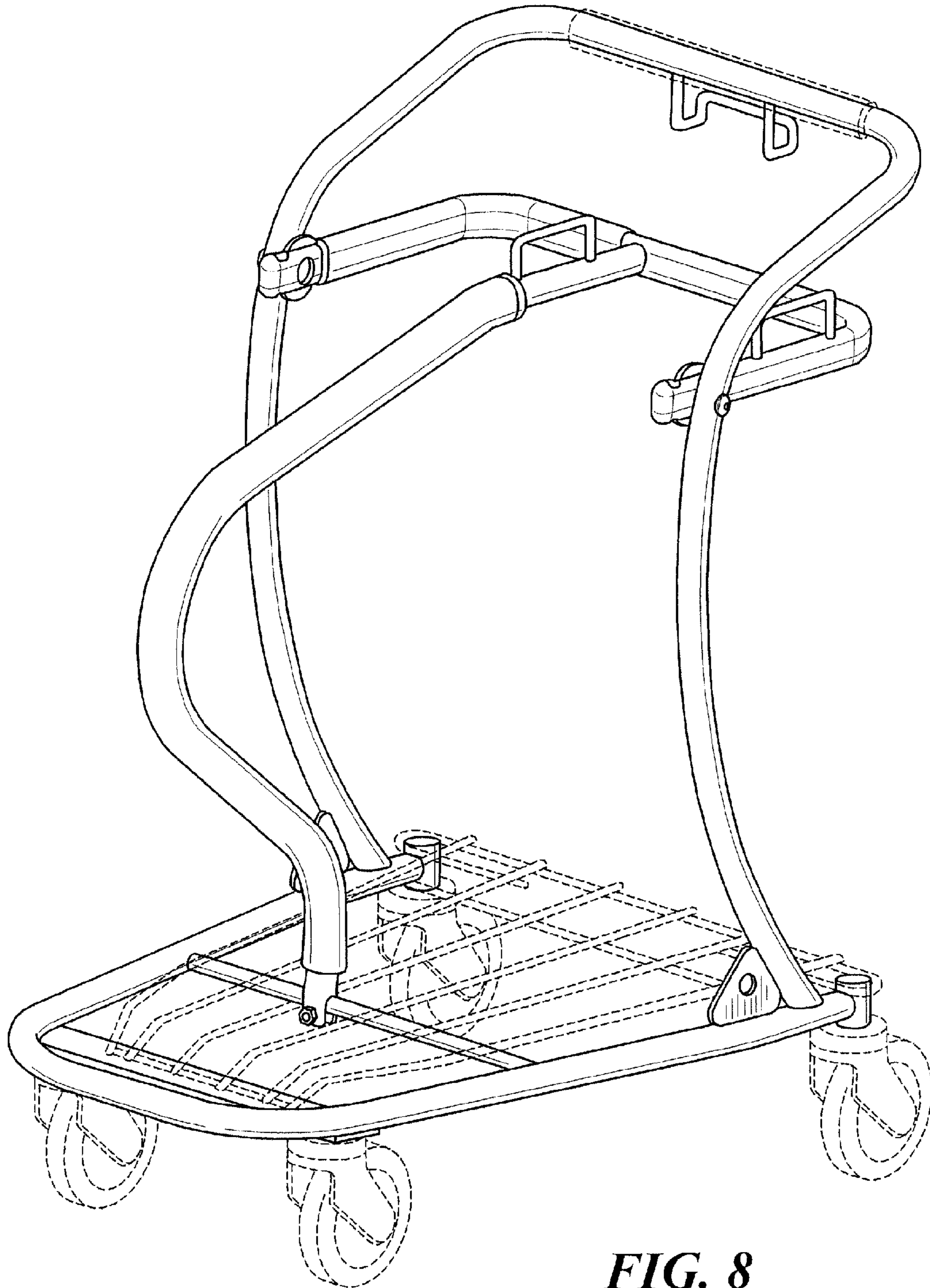


**FIG. 6**



**FIG. 7**





**FIG. 8**