



US00D655877S

(12) **United States Design Patent**
Greenway et al.

(10) **Patent No.:** **US D655,877 S**

(45) **Date of Patent:** **** Mar. 13, 2012**

(54) **LAUNDRY DRYING RACK**

(75) Inventors: **Douglas D. Greenway**, Guelph (CA);
Christopher J. Duke, Waterdown (CA)

(73) Assignee: **Greenway Home Products Ltd.**,
Guelph, Ontario

(**) Term: **14 Years**

(21) Appl. No.: **29/380,346**

(22) Filed: **Dec. 3, 2010**

(51) **LOC (9) Cl.** **07-05**

(52) **U.S. Cl.** **D32/58**

(58) **Field of Classification Search** D32/55,
D32/276, 3, 58; D6/510, 525; 211/41.5,
211/41.4, 41.3, 41.8, 195, 200; 361/679.4;
312/311, 333, 334.4; D7/354, 629, 368

See application file for complete search history.

(56) **References Cited**

U.S. PATENT DOCUMENTS

2,242,386	A *	5/1941	Block et al.	38/102.1
2,406,638	A *	8/1946	Schissel	211/200
2,919,818	A *	1/1960	Clegg et al.	211/195
D224,042	S *	6/1972	Van Voorhis	D32/58
D267,768	S *	2/1983	Duggan	D7/368
D322,698	S *	12/1991	Cassel	D32/58
5,725,111	A *	3/1998	Choi	211/119.1
D417,536	S *	12/1999	Sum	D32/58
D423,161	S *	4/2000	Mersseman	D32/58
D546,013	S *	7/2007	Pong	D32/58
D564,165	S *	3/2008	King et al.	D32/58
D595,914	S *	7/2009	Housley	D32/55

2008/0289905 A1* 11/2008 Pelsue et al. 182/236
* cited by examiner

Primary Examiner — Austin Murphy

(74) *Attorney, Agent, or Firm* — Christopher L. Parmelee;
Walker & Jocke

(57) **CLAIM**

The ornamental design for a laundry drying rack, as shown
and described.

DESCRIPTION

FIG. 1 is a front upper perspective view showing our new
design for a laundry drying rack.

FIG. 2 is a front side plan view thereof, the back side being a
mirror image.

FIG. 3 is a right side plan view thereof, the left side being a
mirror image.

FIG. 4 is a top side plan view thereof.

FIG. 5 is a bottom side plan view thereof.

FIG. 6 is a close-up front upper perspective view of a central
portion of the design shown in FIG. 1.

FIG. 7 is a close-up front side plan view thereof.

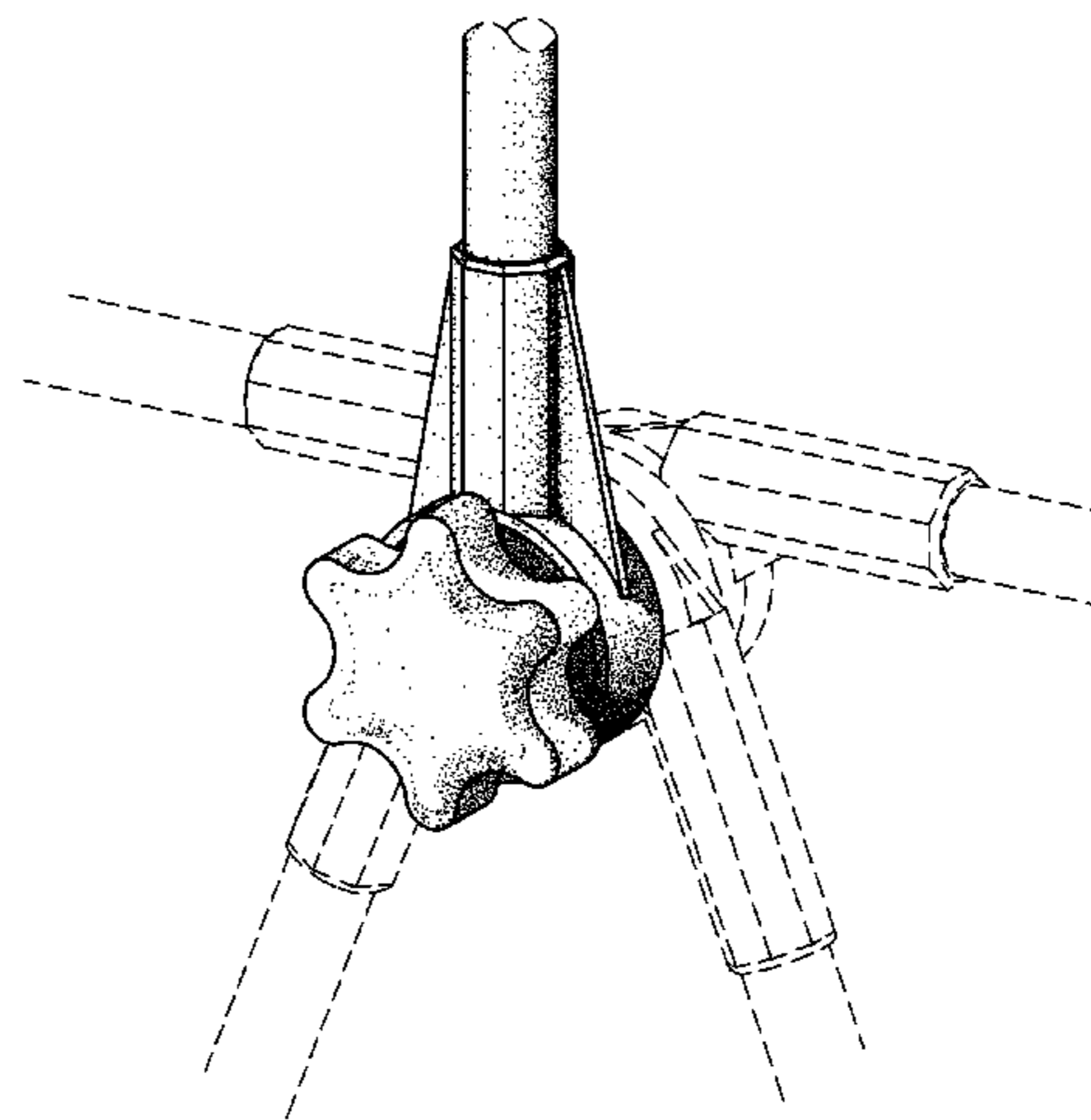
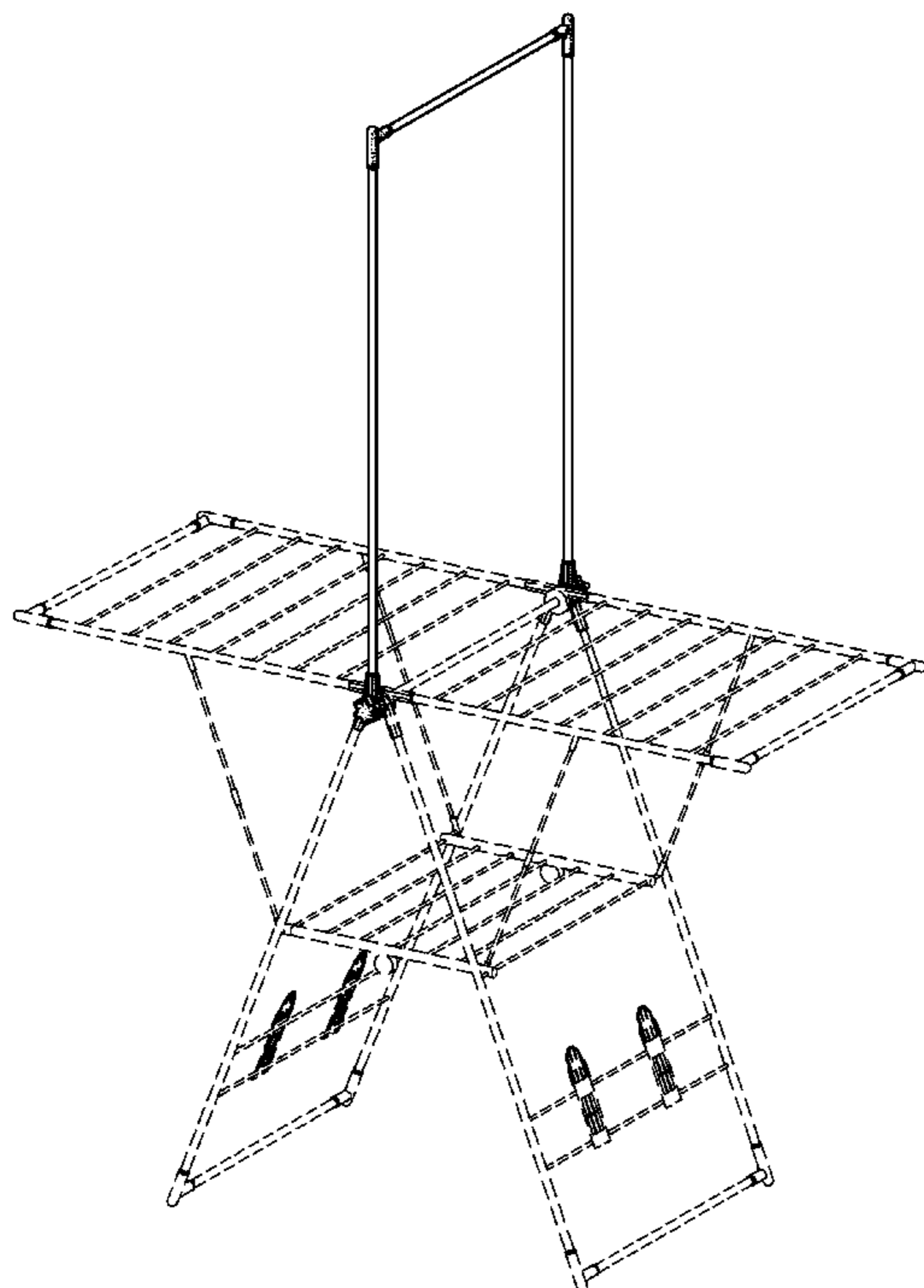
FIG. 8 is a close-up right side plan view thereof, the left side
being a mirror image.

FIG. 9 is a close-up top side plan view thereof; and,

FIG. 10 is a close-up bottom side plan view thereof.

The broken lines adjacent the shaded areas represent the
boundaries of the claimed design, while the other broken lines
representing the outline of portions of the laundry drying rack
depict environmental subject matter only, and form no part of
the claimed design. The hatch marks in FIG. 10 depict cross-
sectional interior portions of the design that form no part of
the claimed design.

1 Claim, 10 Drawing Sheets



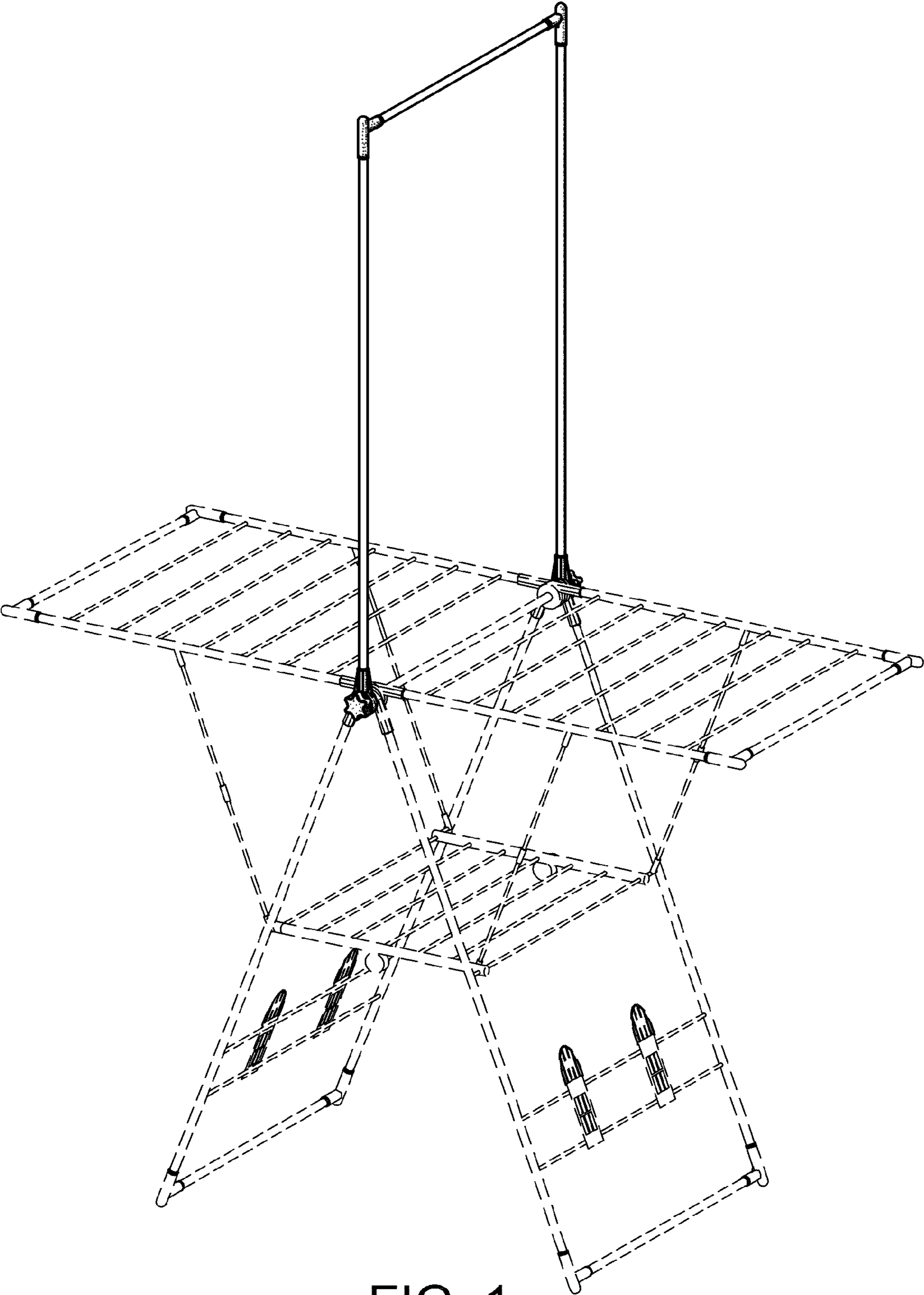


FIG. 1

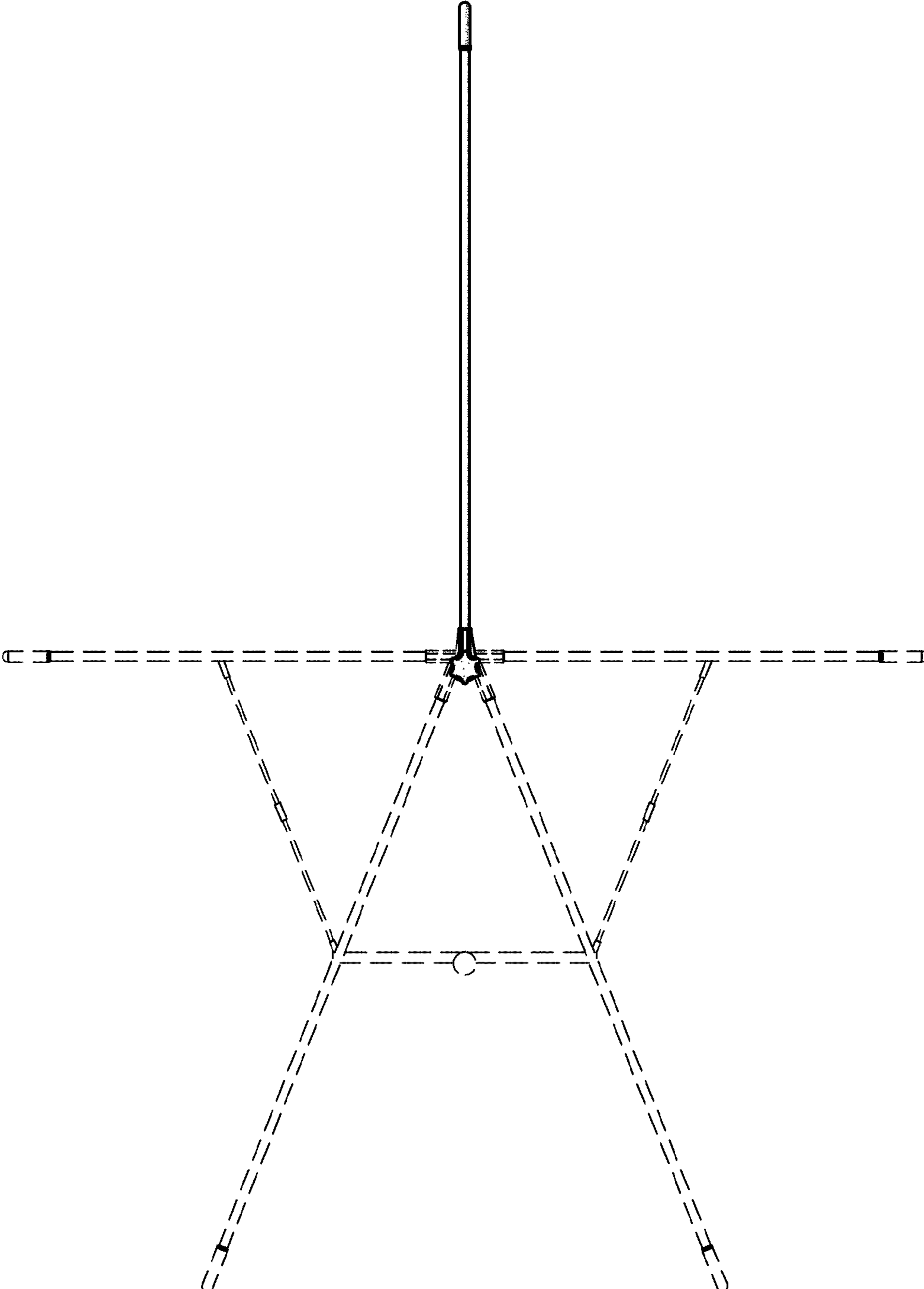


FIG. 2

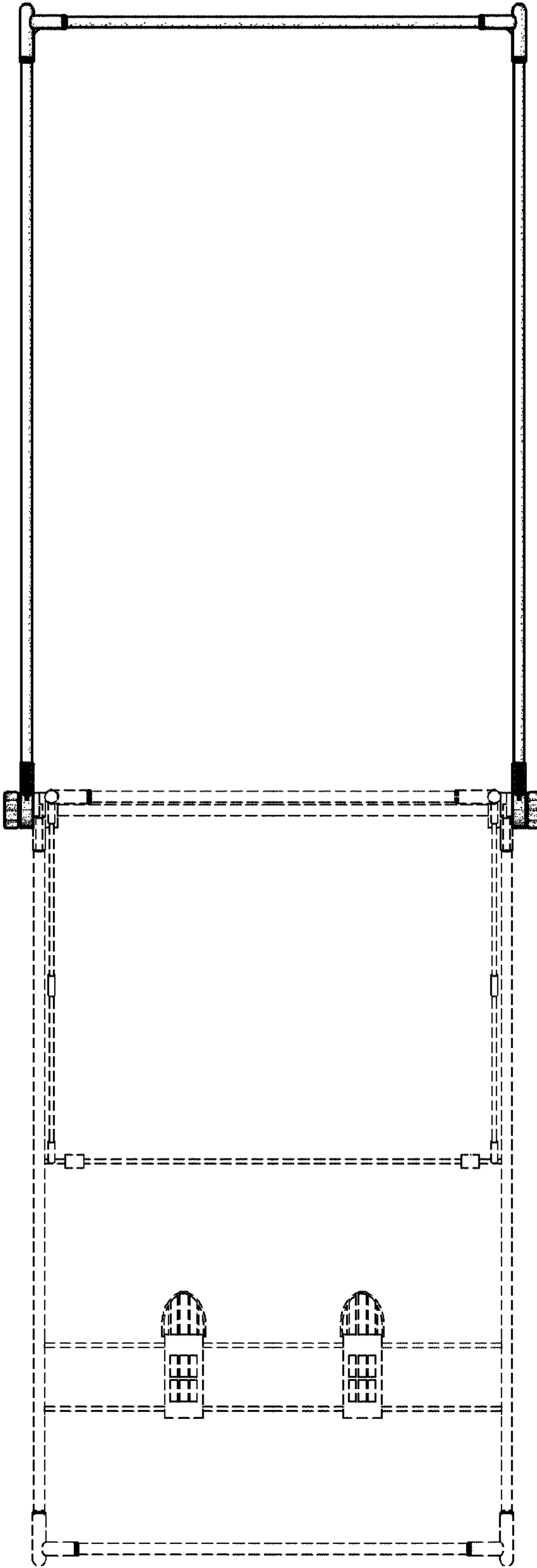


FIG. 3

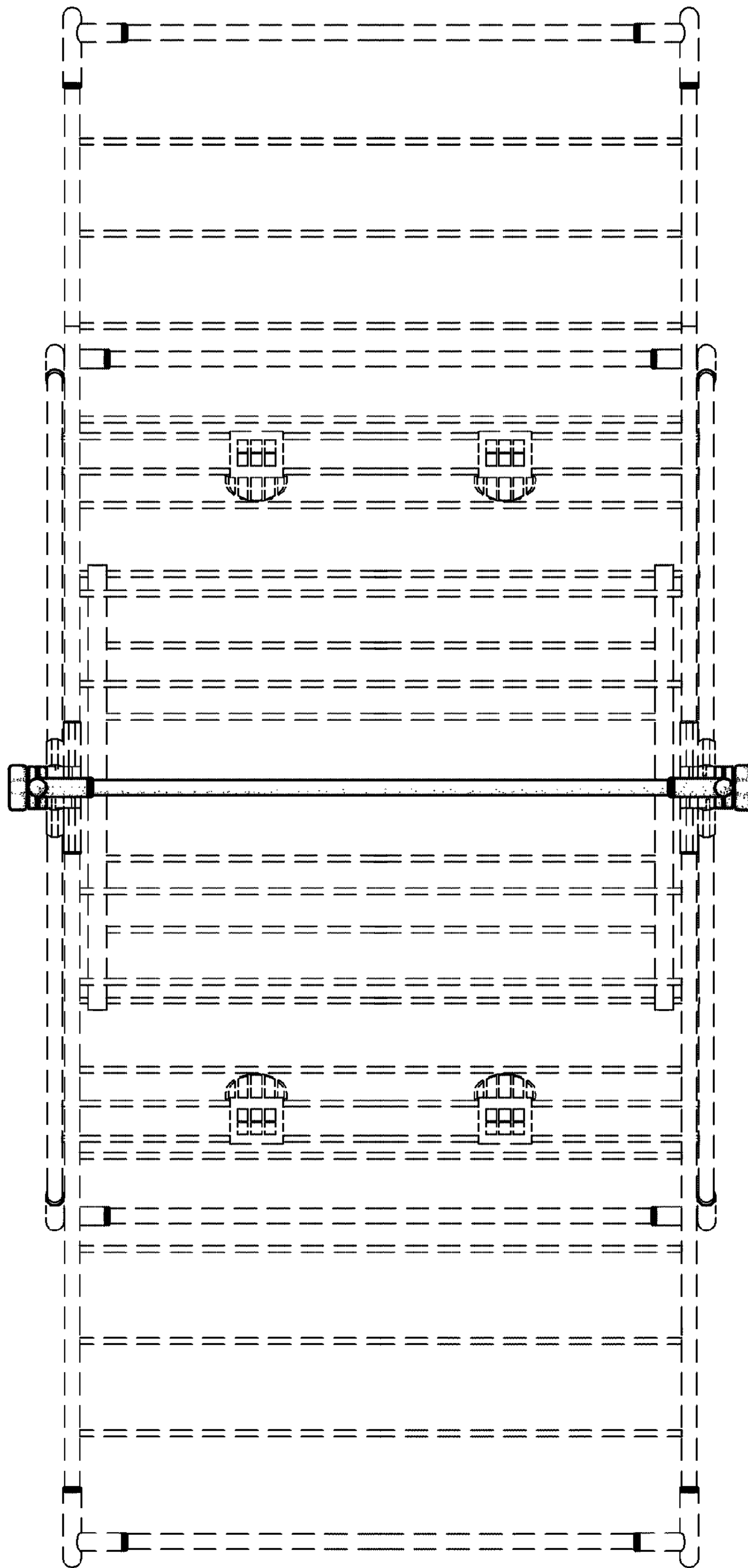


FIG. 4

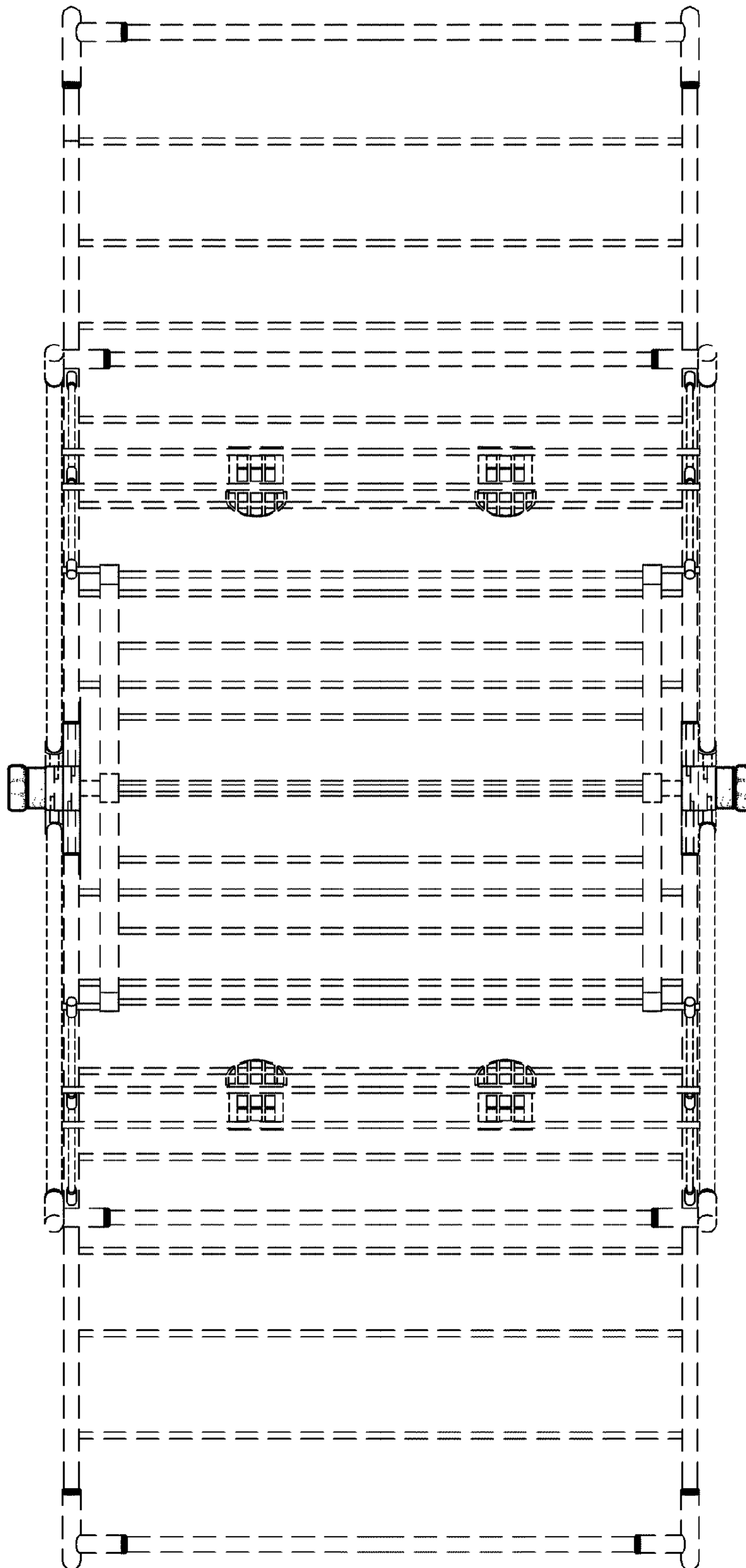


FIG. 5

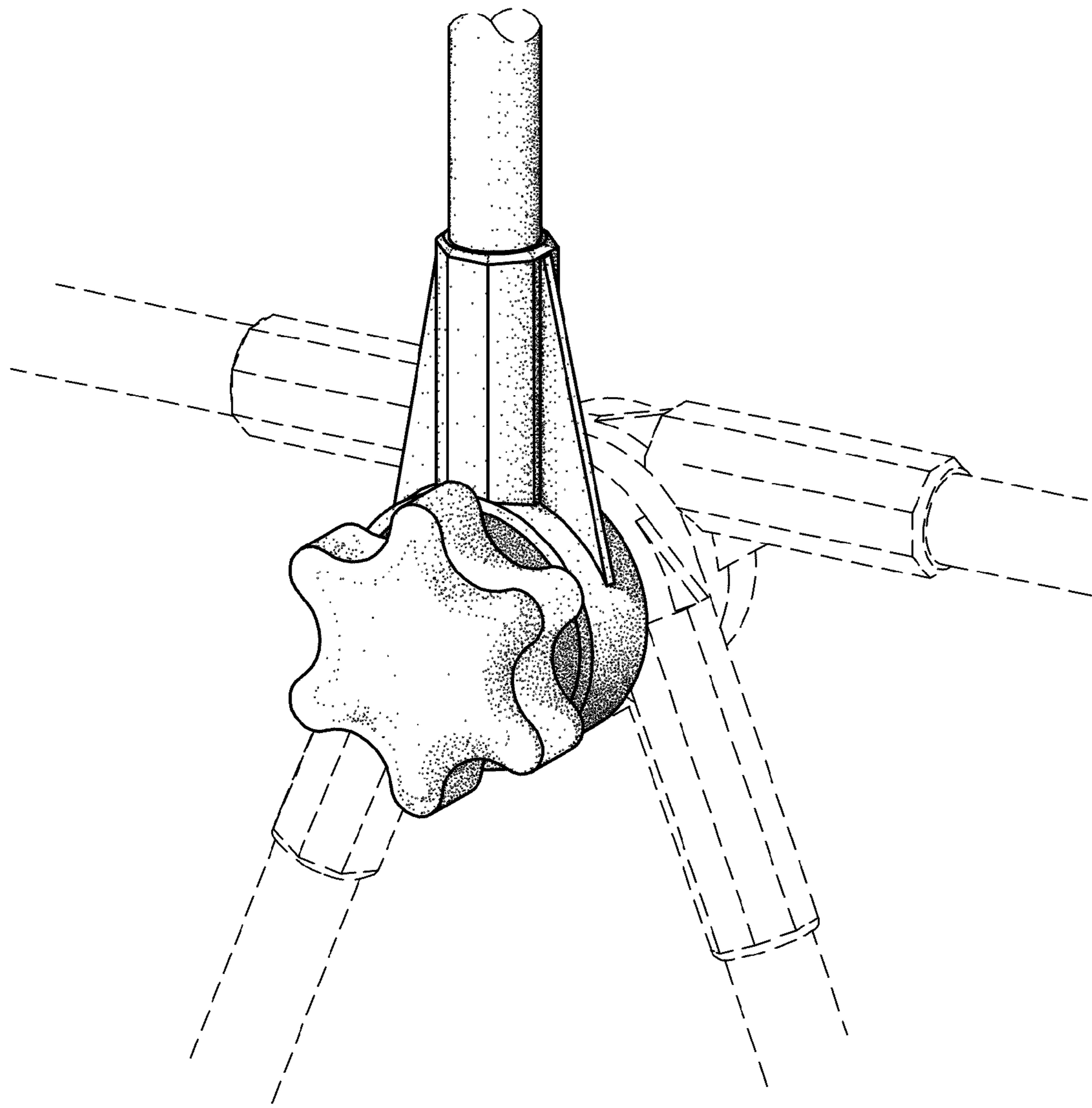


FIG. 6

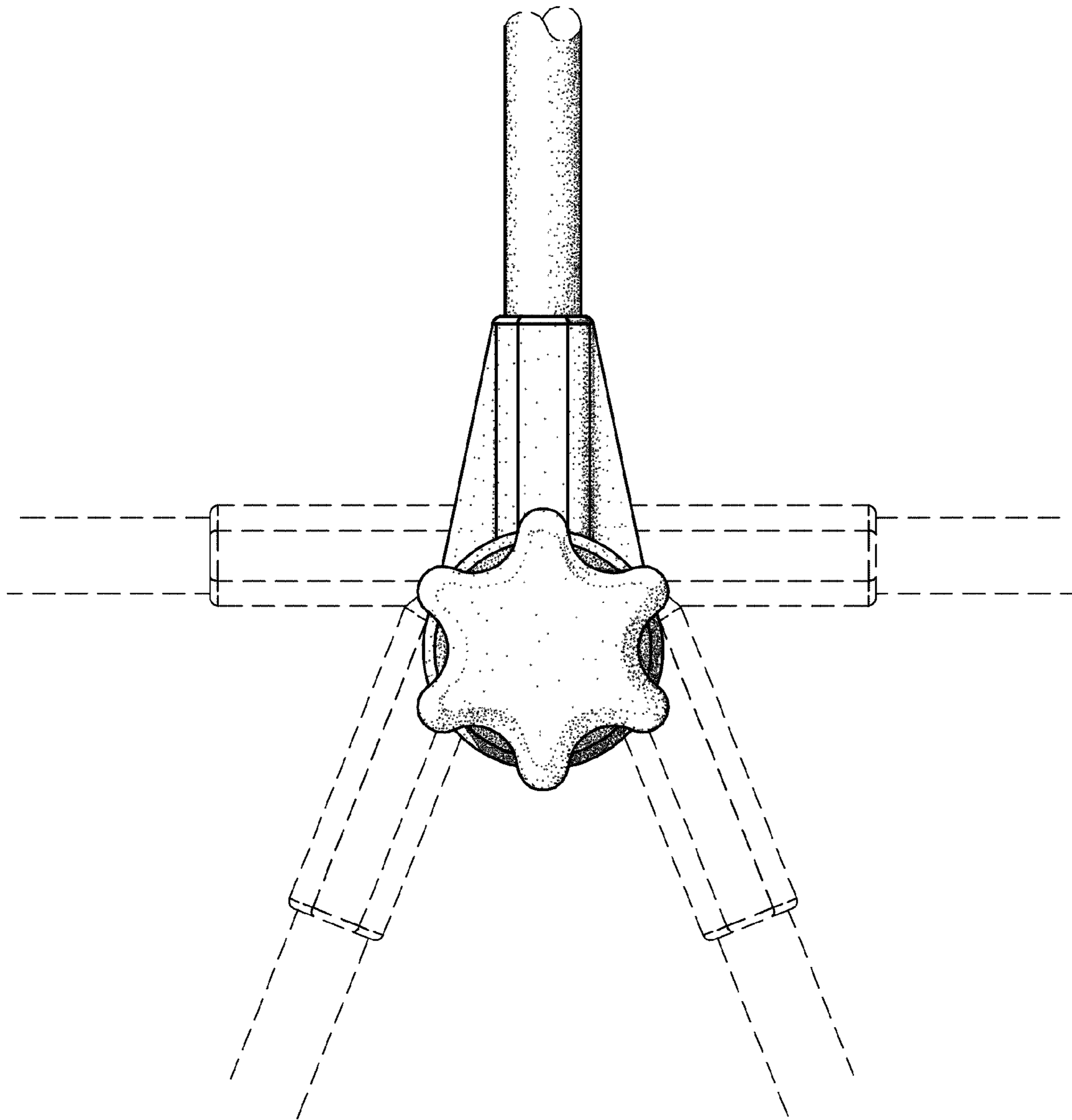


FIG. 7

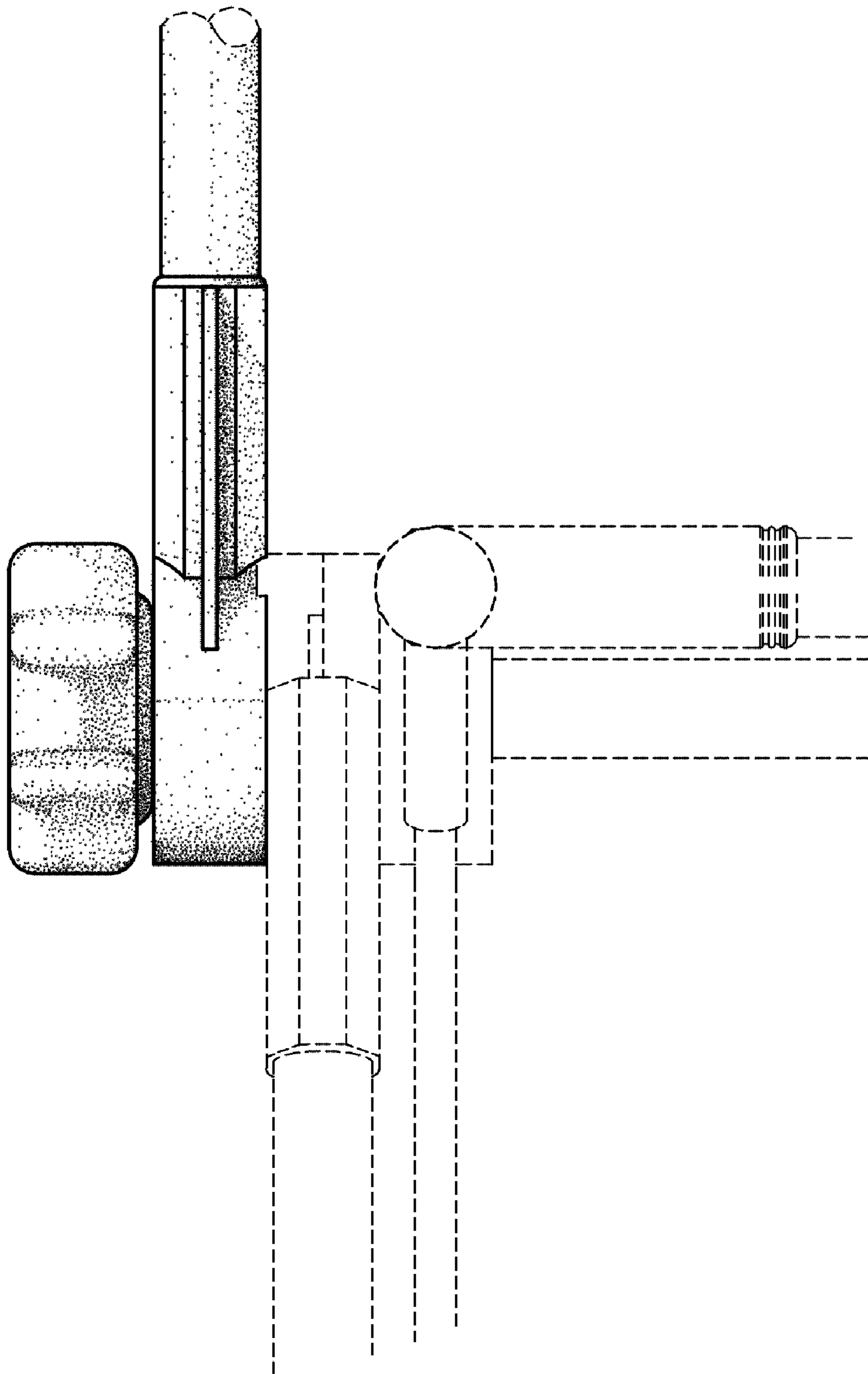


FIG. 8

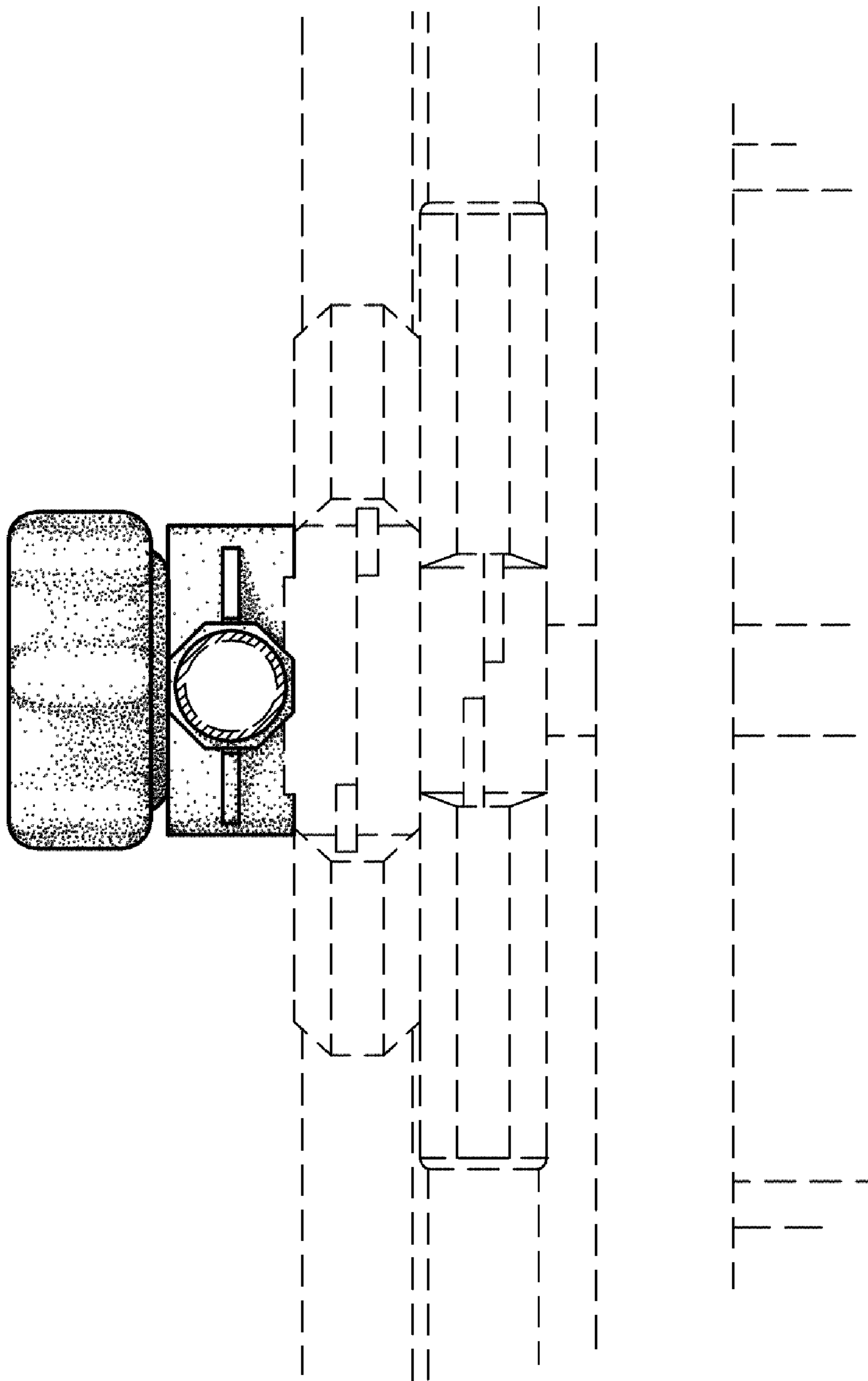


FIG. 9

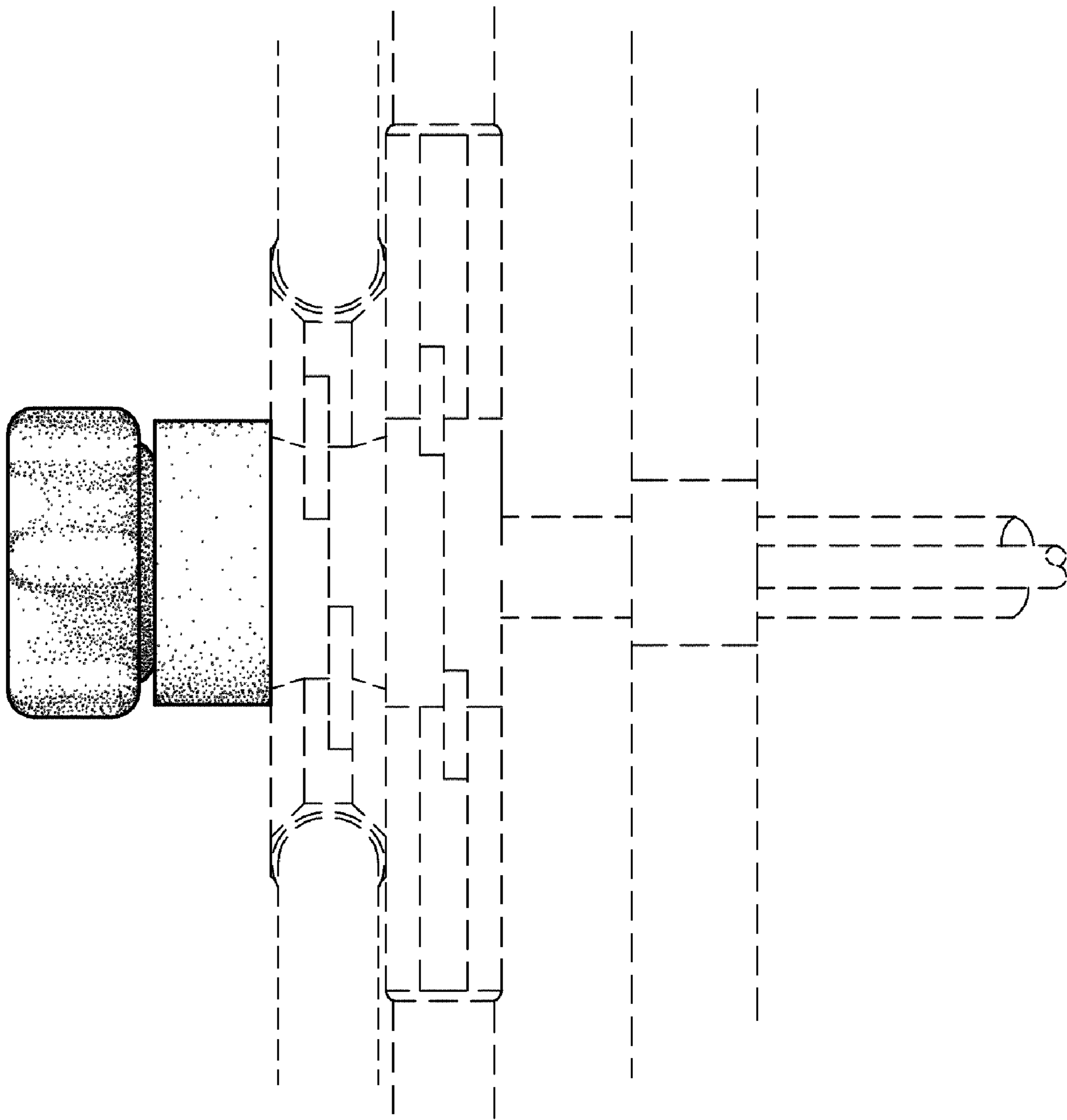


FIG. 10