



US00D655876S

(12) **United States Design Patent**
Lee

(10) **Patent No.:** **US D655,876 S**
(45) **Date of Patent:** **** Mar. 13, 2012**

(54) **MOP HEAD**

(75) Inventor: **In-Hwan Lee**, Gyeonggi-do (KR)

(73) Assignee: **3M Innovative Properties Company**,
Saint Paul, MN (US)

(**) Term: **14 Years**

(21) Appl. No.: **29/394,655**

(22) Filed: **Jun. 20, 2011**

(30) **Foreign Application Priority Data**

Dec. 20, 2010 (KR) 30-2010-0055018

(51) **LOC (9) Cl.** **04-01**

(52) **U.S. Cl.** **D32/50**

(58) **Field of Classification Search** D32/50,
D32/51, 39-45; 15/116.1, 116.2, 119.2,
15/147.1, 147.2, 150, 208, 209.1, 210.1,
15/228; 401/137-140

See application file for complete search history.

(56) **References Cited**

U.S. PATENT DOCUMENTS

D481,184 S * 10/2003 Clare et al. D32/50
6,651,290 B2 * 11/2003 Kingry et al. 15/231
D503,836 S * 4/2005 Hall et al. D32/50
D506,050 S * 6/2005 Lalanne et al. D32/45
D552,315 S * 10/2007 Harper et al. D32/40
D554,815 S * 11/2007 Harper et al. D32/40

D564,164 S * 3/2008 Harper et al. D32/51
D588,770 S * 3/2009 Koenig et al. D32/50
D597,718 S * 8/2009 McNeil et al. D32/45

* cited by examiner

Primary Examiner — John Windmuller

(74) *Attorney, Agent, or Firm* — Trisha D. Adamson

(57) **CLAIM**

The ornamental design for a mop head, as shown and described.

DESCRIPTION

FIG. 1 is a perspective view showing the new design for a mop head;

FIG. 2 is a right side view thereof, the left side view being a mirror image thereof;

FIG. 3 is a front view thereof, the rear view being a mirror image thereof;

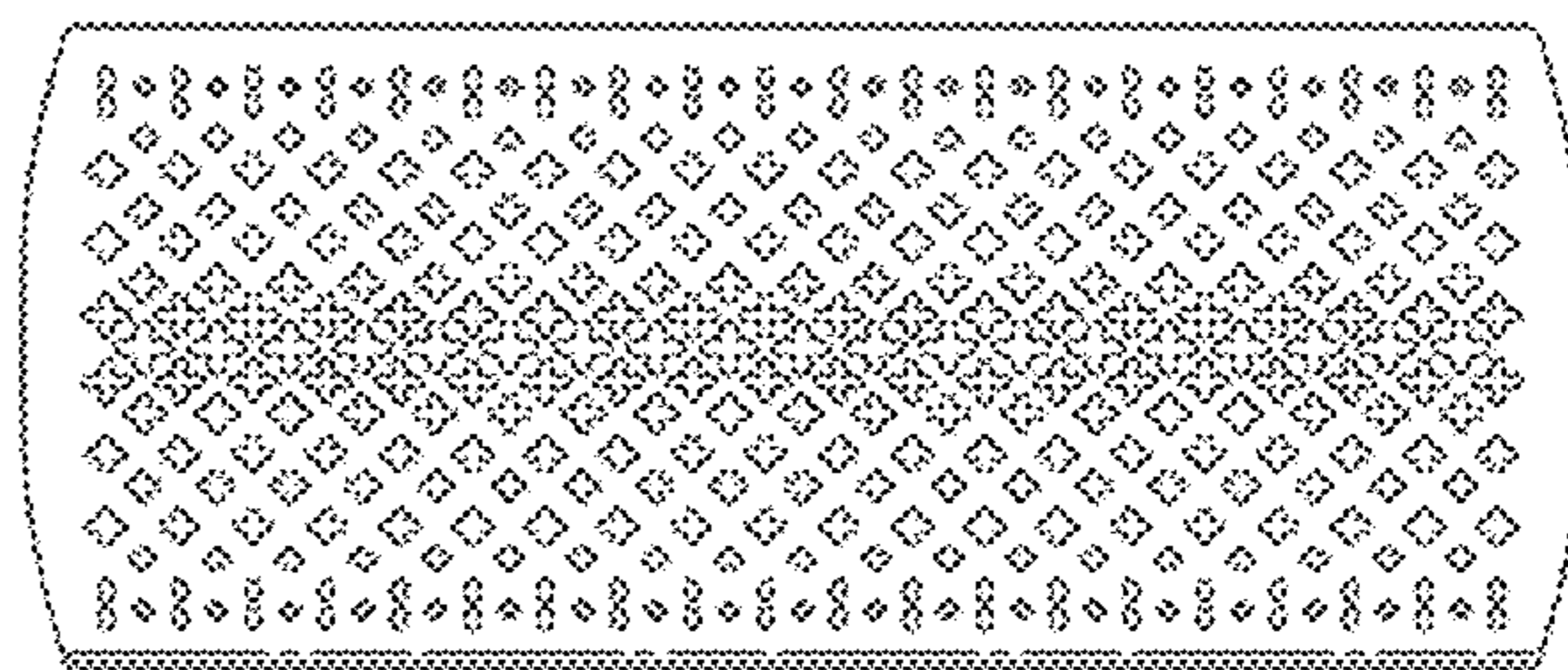
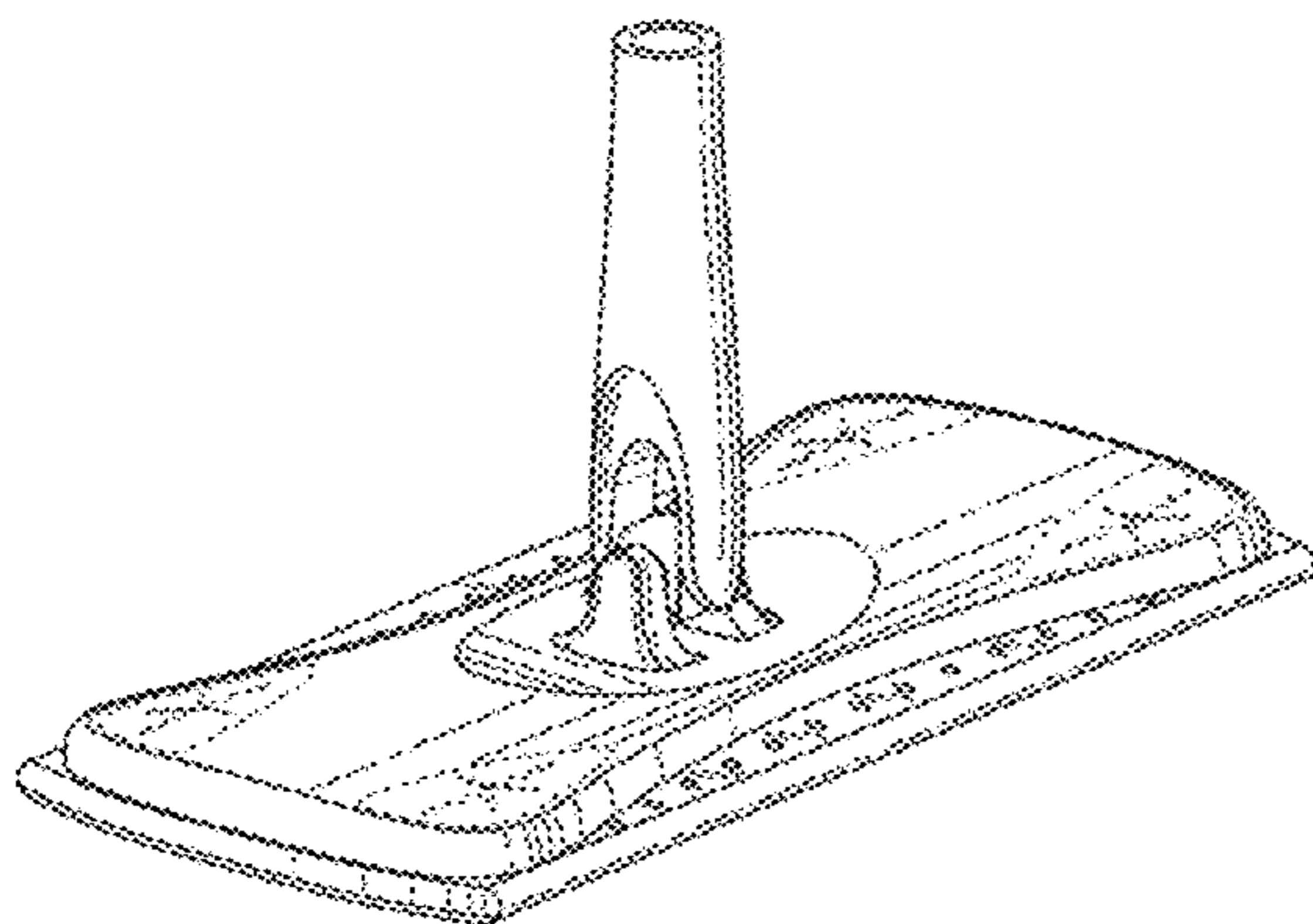
FIG. 4 is a top view thereof; and,

FIG. 5 is a bottom view thereof.

In FIG. 5, the base layer of the bottom is completely flat. In FIG. 5, the crosses and ovals are flat and coplanar with each other.

The broken lines in the drawings are shown for illustrative purposes only and form no part of the claimed design. In addition, the surface shading illustrate in the drawings is provided merely to highlight the contour of the design; it is not intended to be illustrative of texture or gloss.

1 Claim, 2 Drawing Sheets



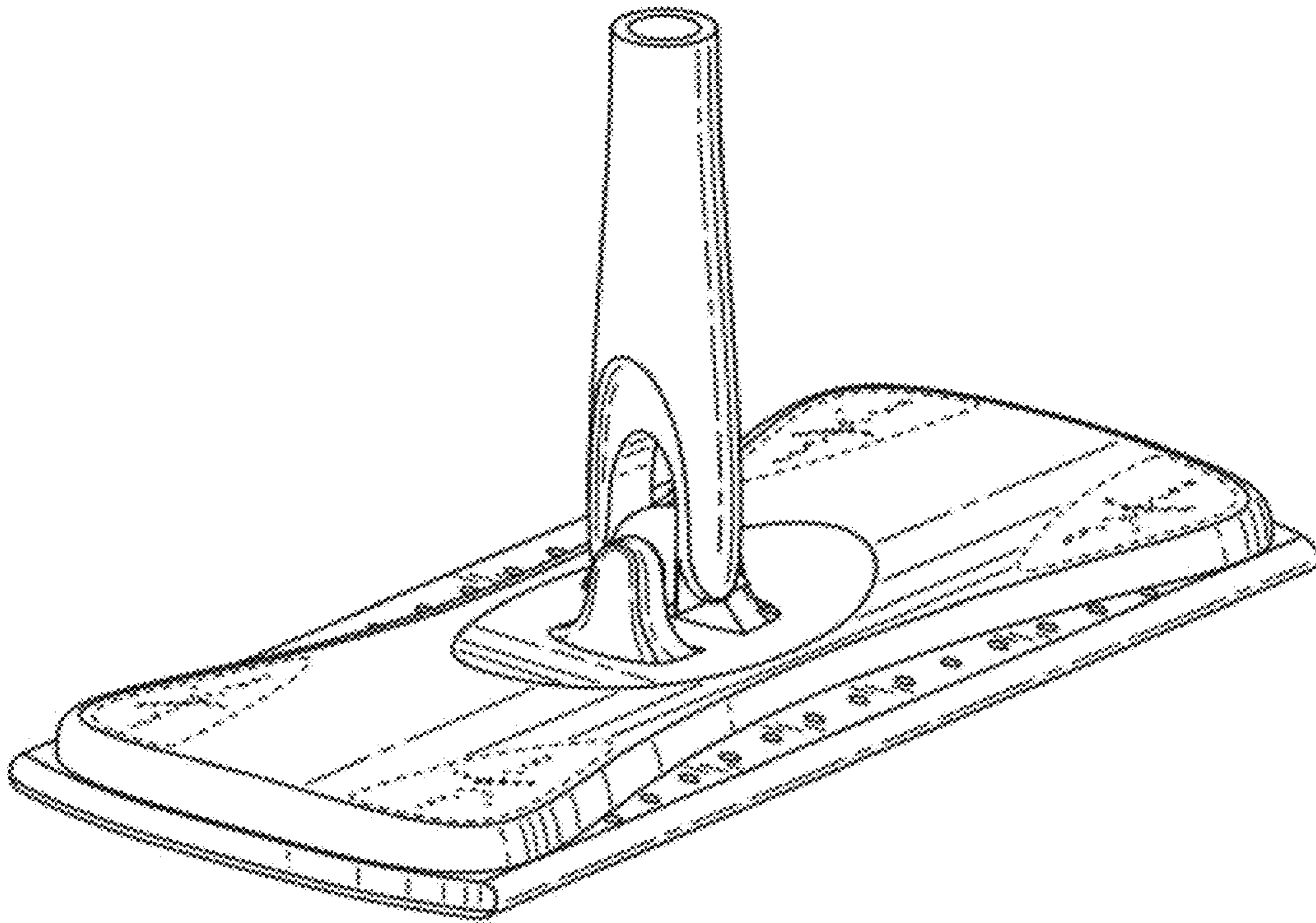


Fig. 1

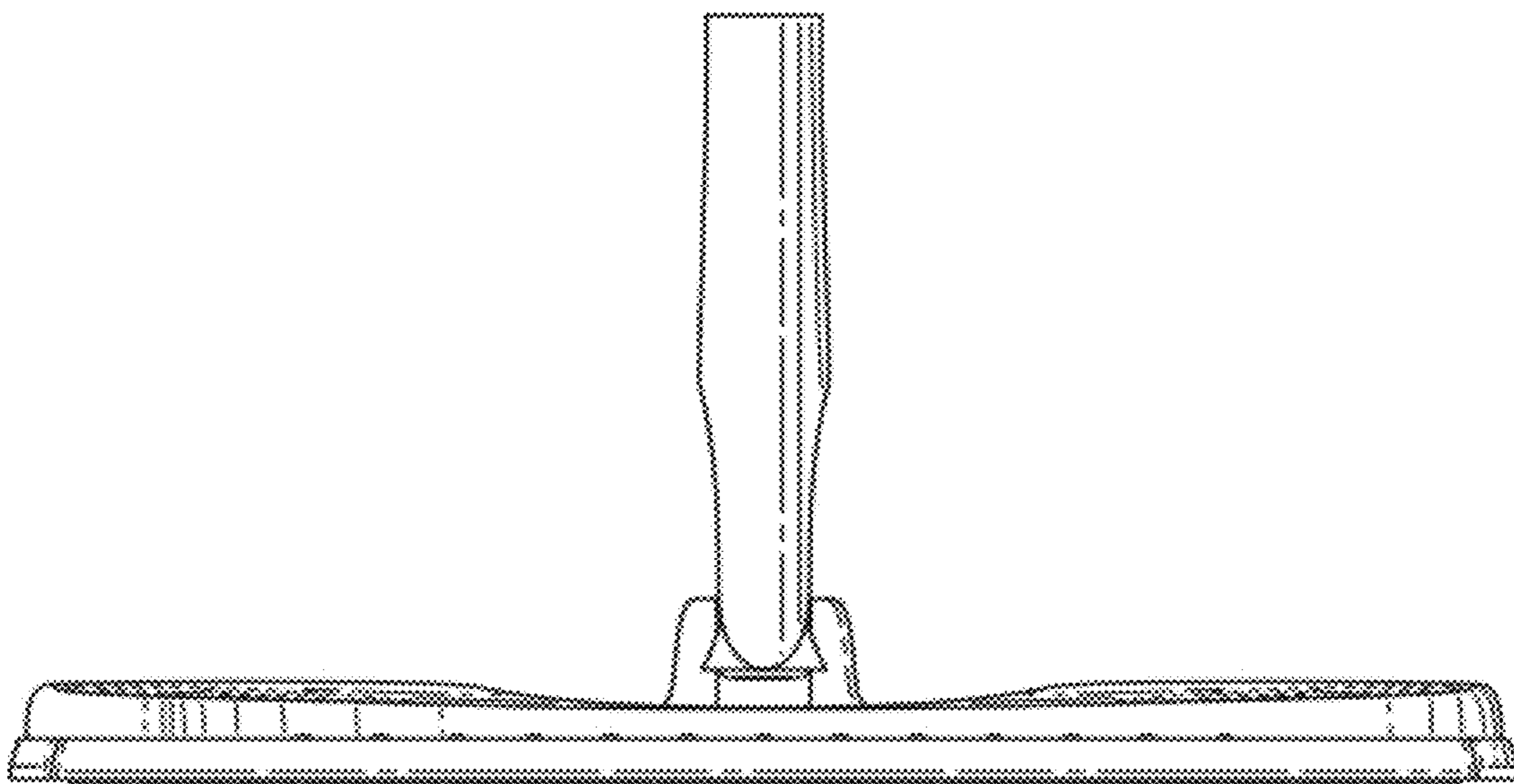


Fig. 2

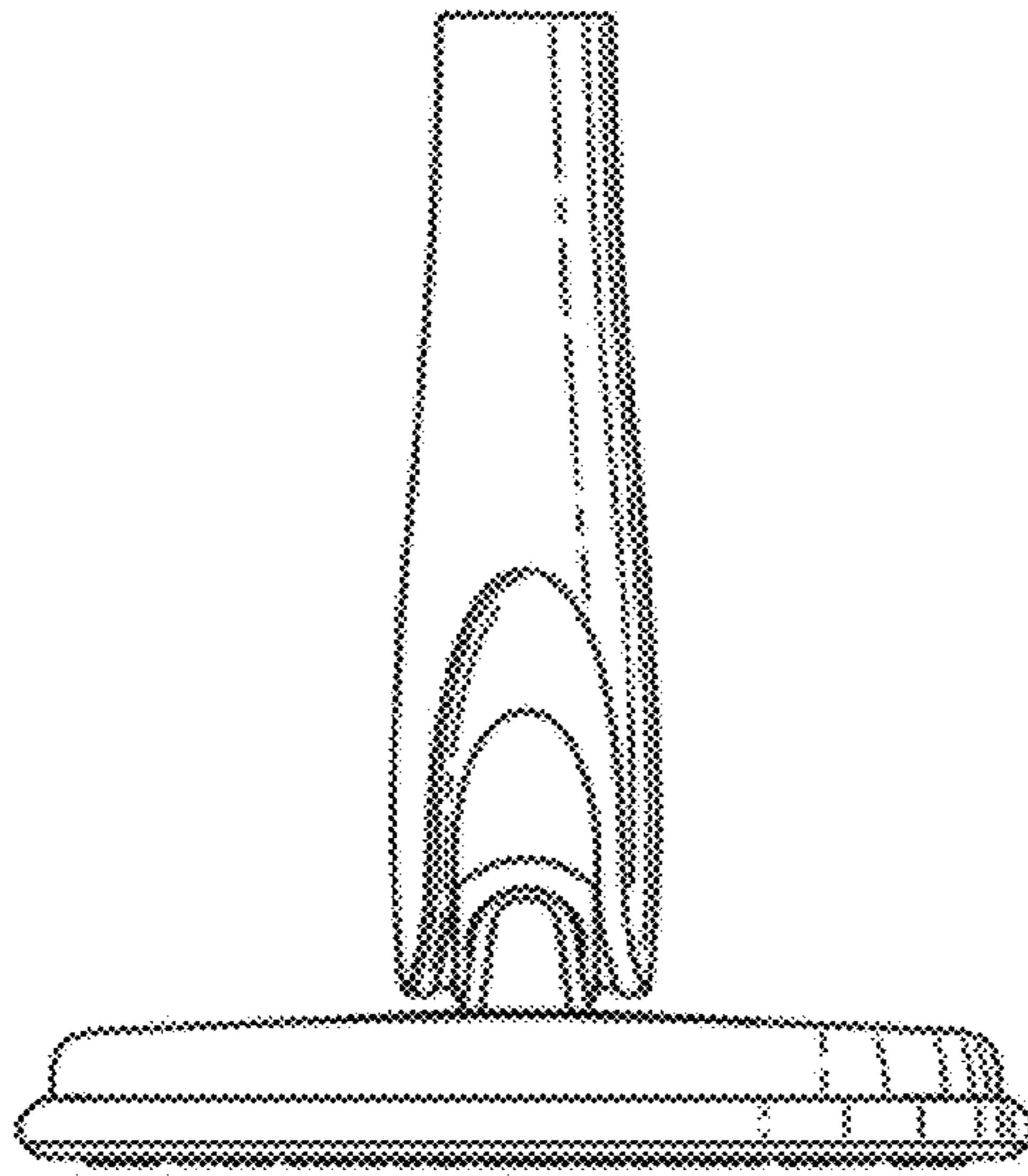


Fig. 3

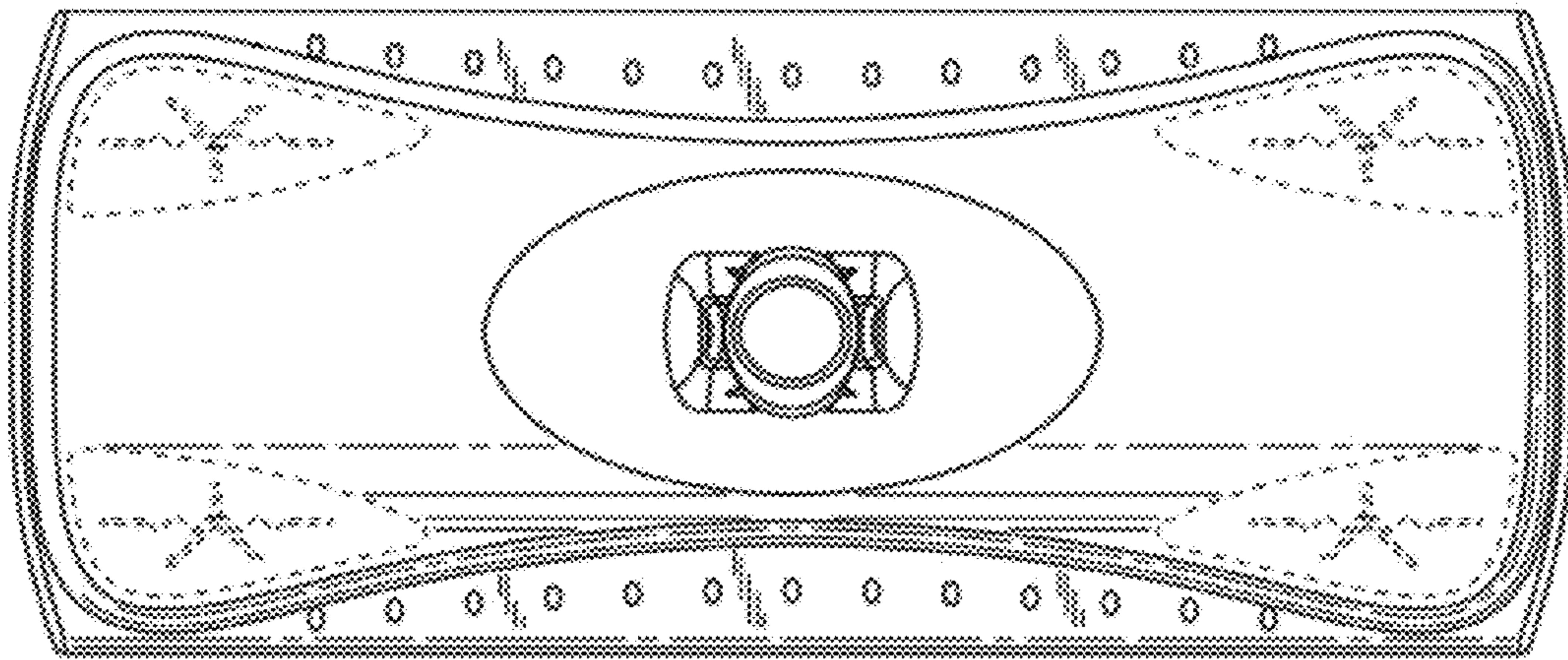


Fig. 4

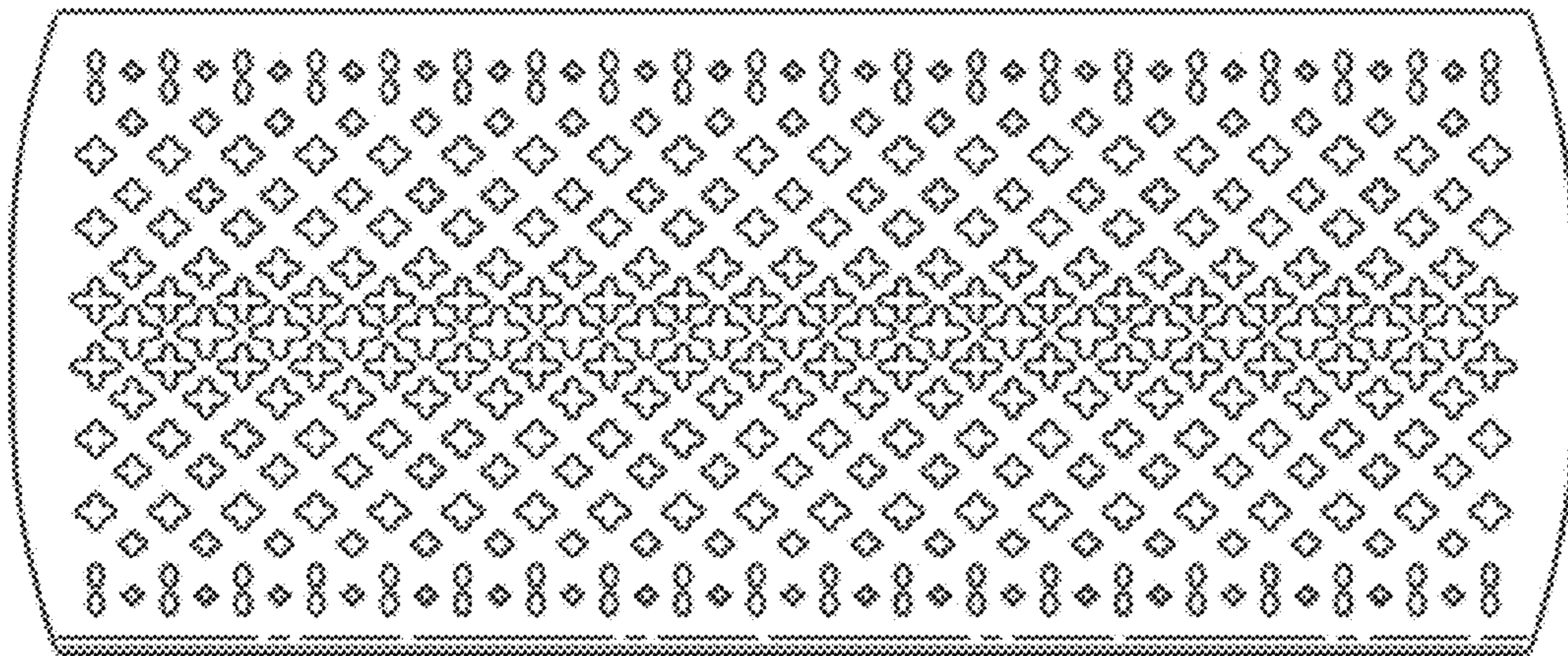


Fig. 5