



US00D655871S

(12) **United States Design Patent**
Kim et al.

(10) **Patent No.:** **US D655,871 S**
(45) **Date of Patent:** **** Mar. 13, 2012**

- (54) **VACUUM CLEANER**
- (75) Inventors: **Joo Hyung Kim**, Seoul (KR); **Gwanwoo Shin**, Kyungki-Do (KR)
- (73) Assignee: **Samsung Electronics Co., Ltd.**, Suwon-Si (KR)
- (**) Term: **14 Years**
- (21) Appl. No.: **29/366,284**
- (22) Filed: **Jul. 22, 2010**
- (51) **LOC (9) Cl.** **15-05**
- (52) **U.S. Cl.** **D32/21**
- (58) **Field of Classification Search** D32/21-24, D32/31; 15/327.1-327.7, 329, 412, 320-321; 55/DIG. 3, 345, 357, 429, 271; 95/271
See application file for complete search history.

- D233,645 S * 11/1974 Diehl D32/23
- D258,821 S * 4/1981 Wareham et al. D32/23
- D362,522 S * 9/1995 Kohler D32/23
- D491,704 S * 6/2004 Shin D32/23
- 6,845,543 B2 * 1/2005 Kim 15/412
- D583,115 S * 12/2008 Lam D32/21

* cited by examiner

Primary Examiner — Ruth McInroy
(74) *Attorney, Agent, or Firm* — Ladas & Parry LLP

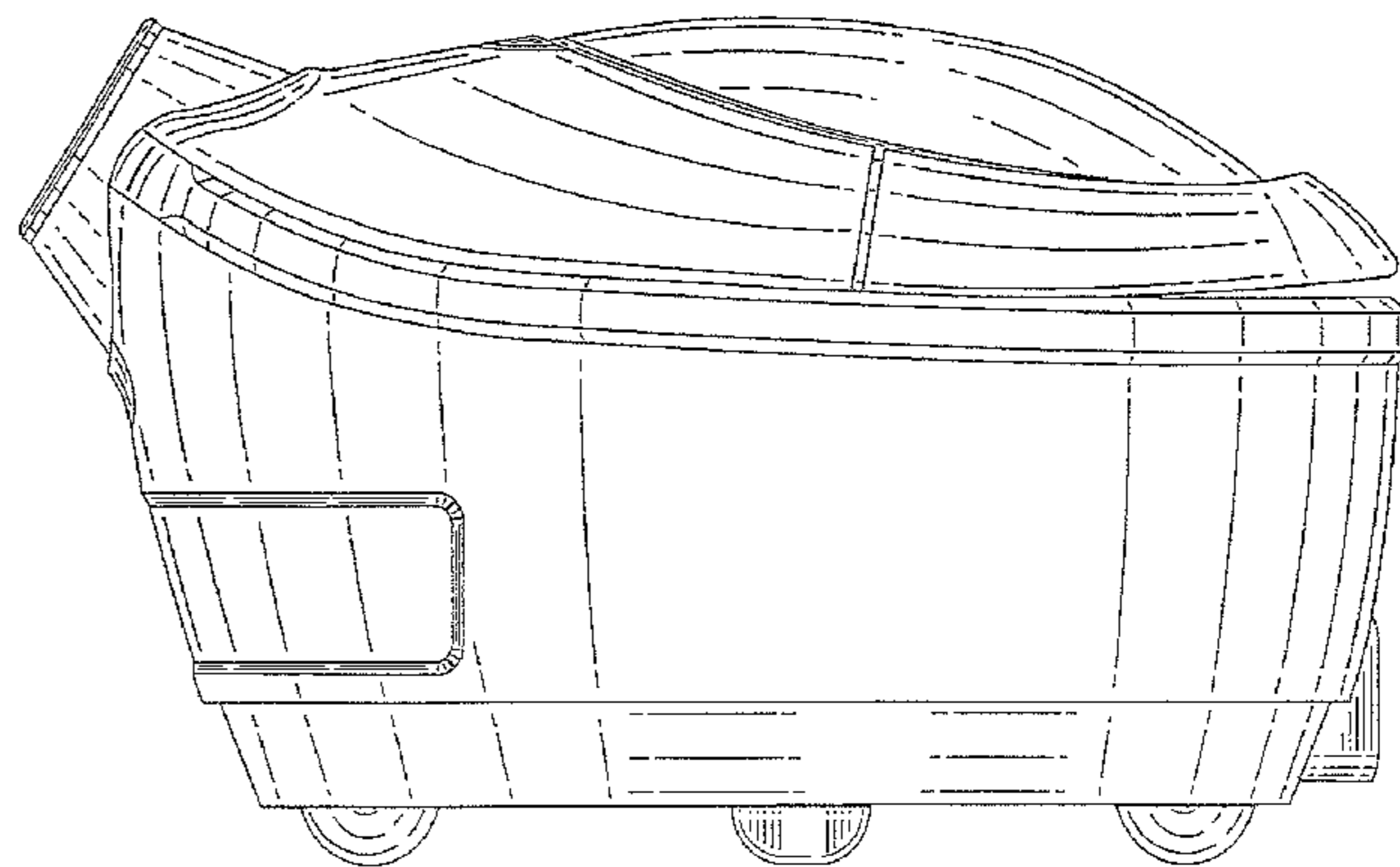
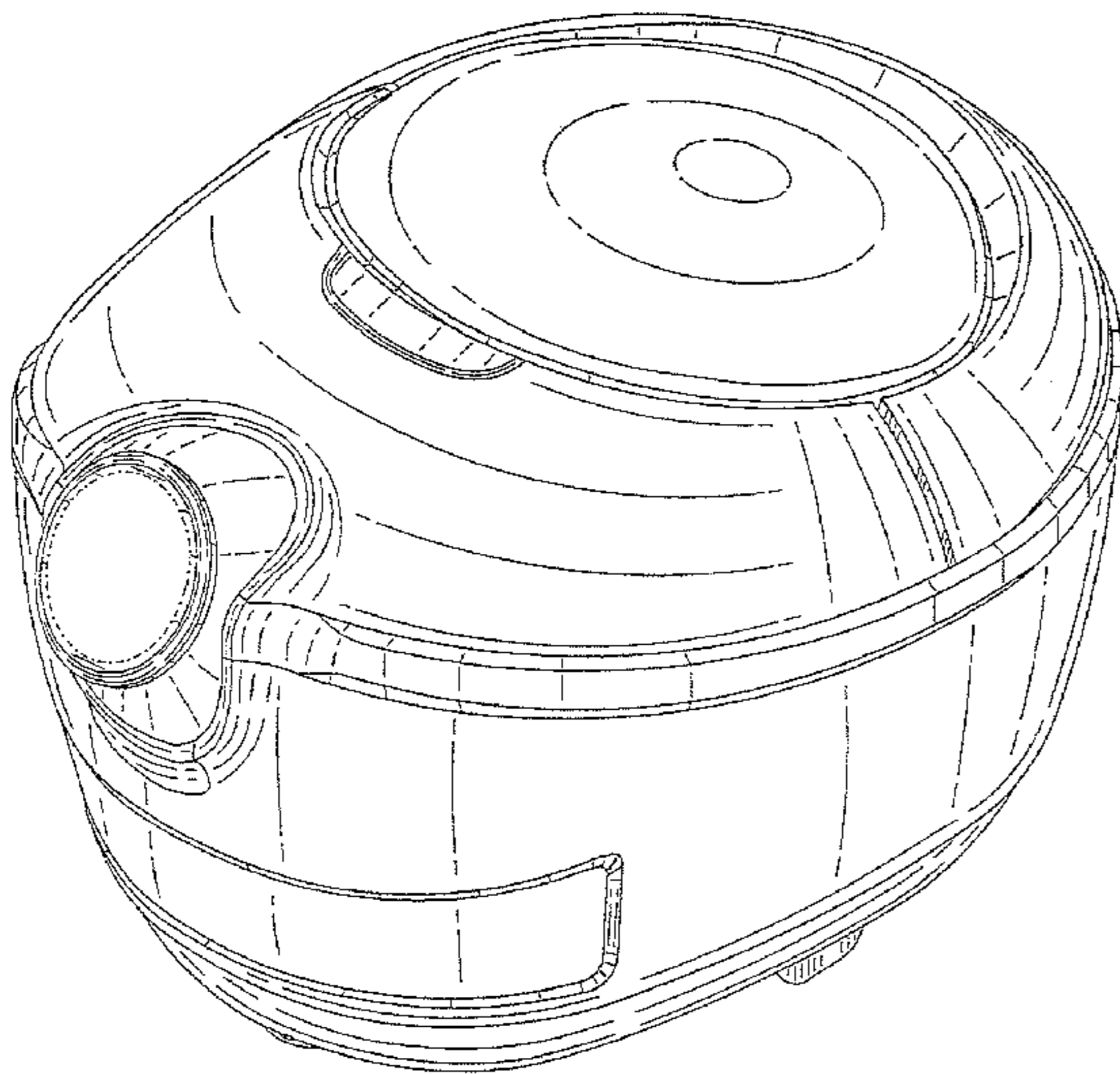
(57) **CLAIM**
We claim the ornamental design for a vacuum cleaner, as shown and described.

DESCRIPTION

FIG. 1 is a top, front and right-side perspective view of a vacuum cleaner showing our new design;
FIG. 2 is a front elevational view thereof;
FIG. 3 is a rear elevational view thereof;
FIG. 4 is a left-side elevational view thereof;
FIG. 5 is a right-side elevational view thereof;
FIG. 6 is a top plan view thereof; and,
FIG. 7 is a bottom plan view thereof.

- (56) **References Cited**
- U.S. PATENT DOCUMENTS
- D187,065 S * 1/1960 Chapman D32/23
- D212,257 S * 9/1968 Schaefer et al. D32/23
- D214,340 S * 6/1969 Schaefer et al. D32/23

1 Claim, 6 Drawing Sheets



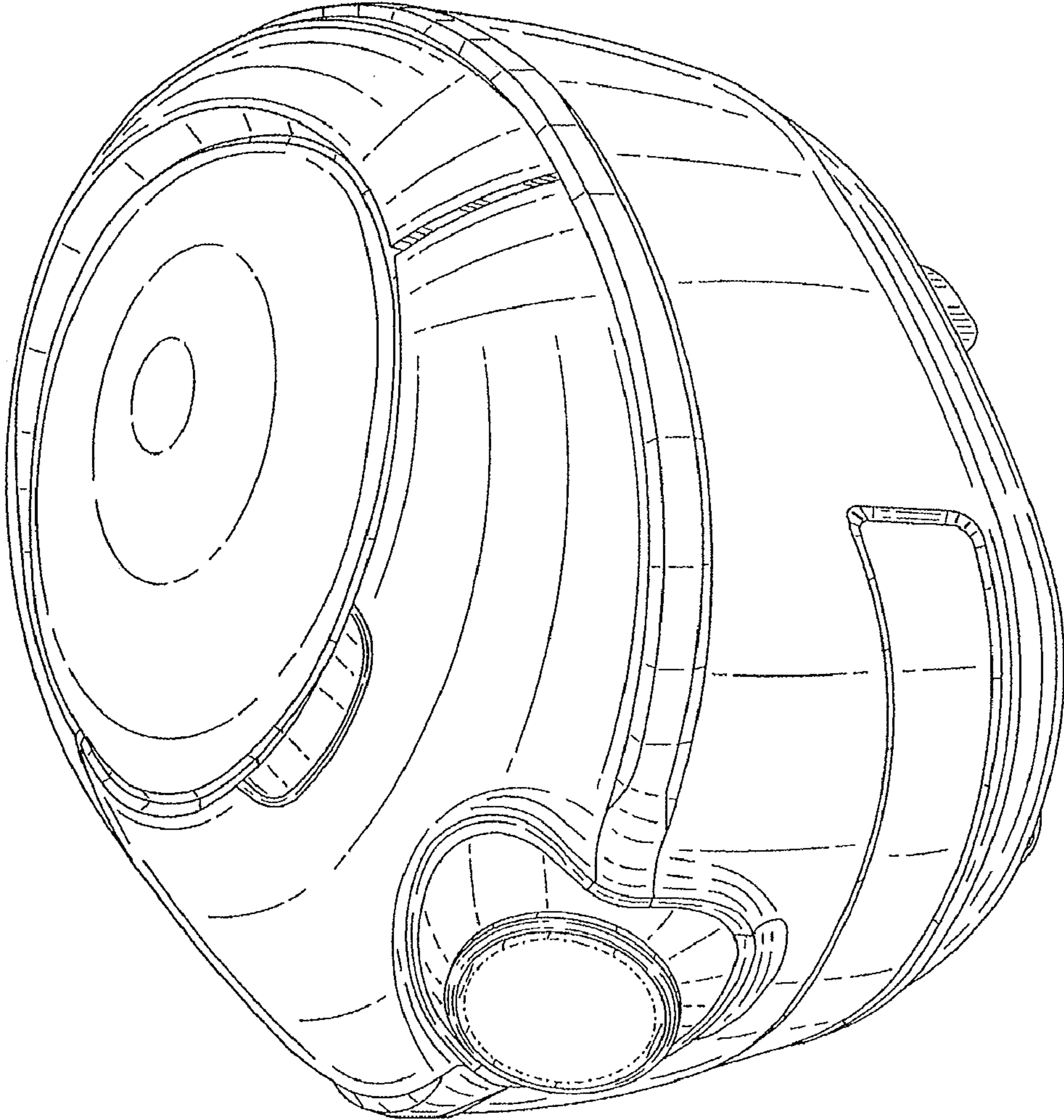


FIG. 1

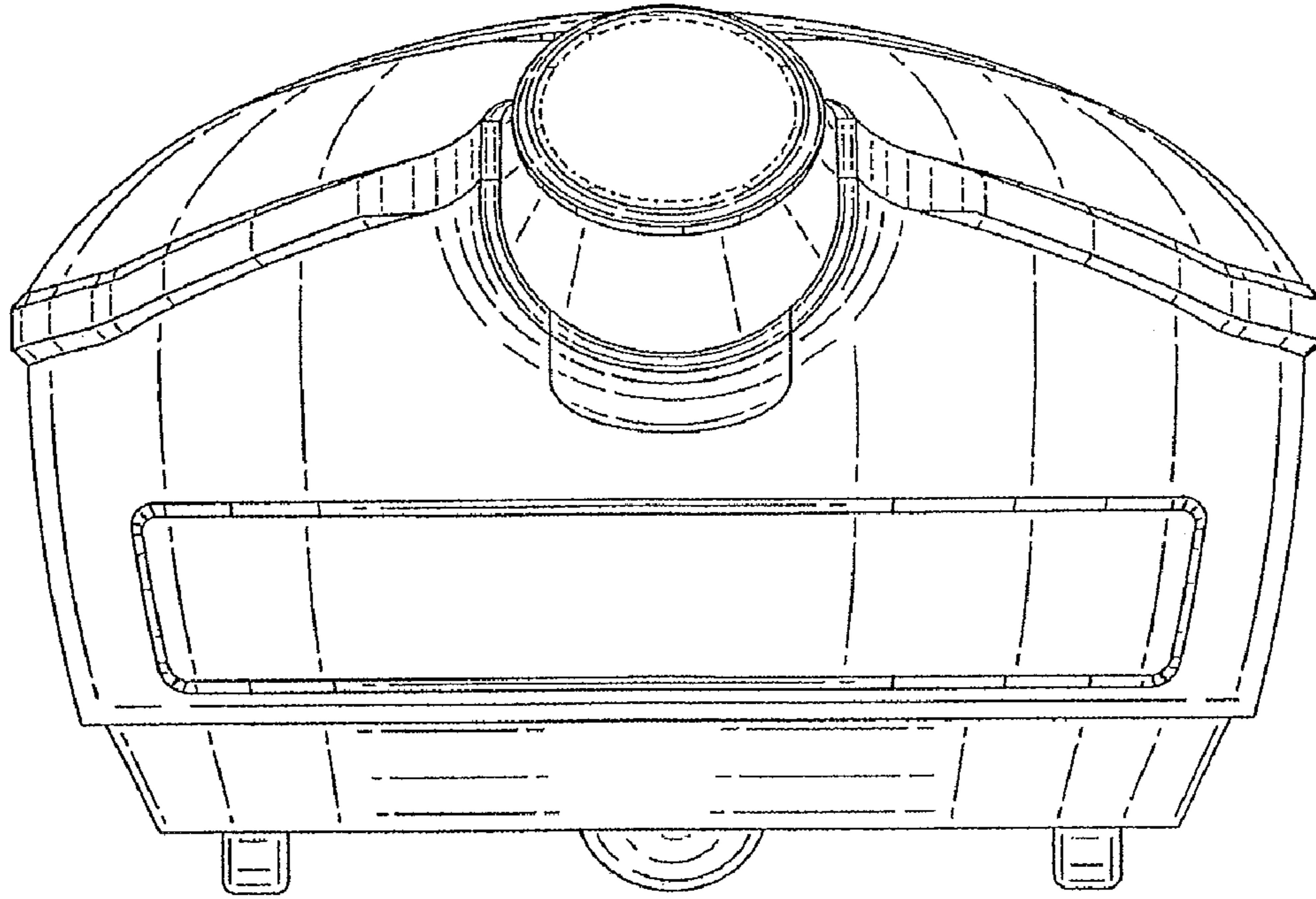


FIG. 2

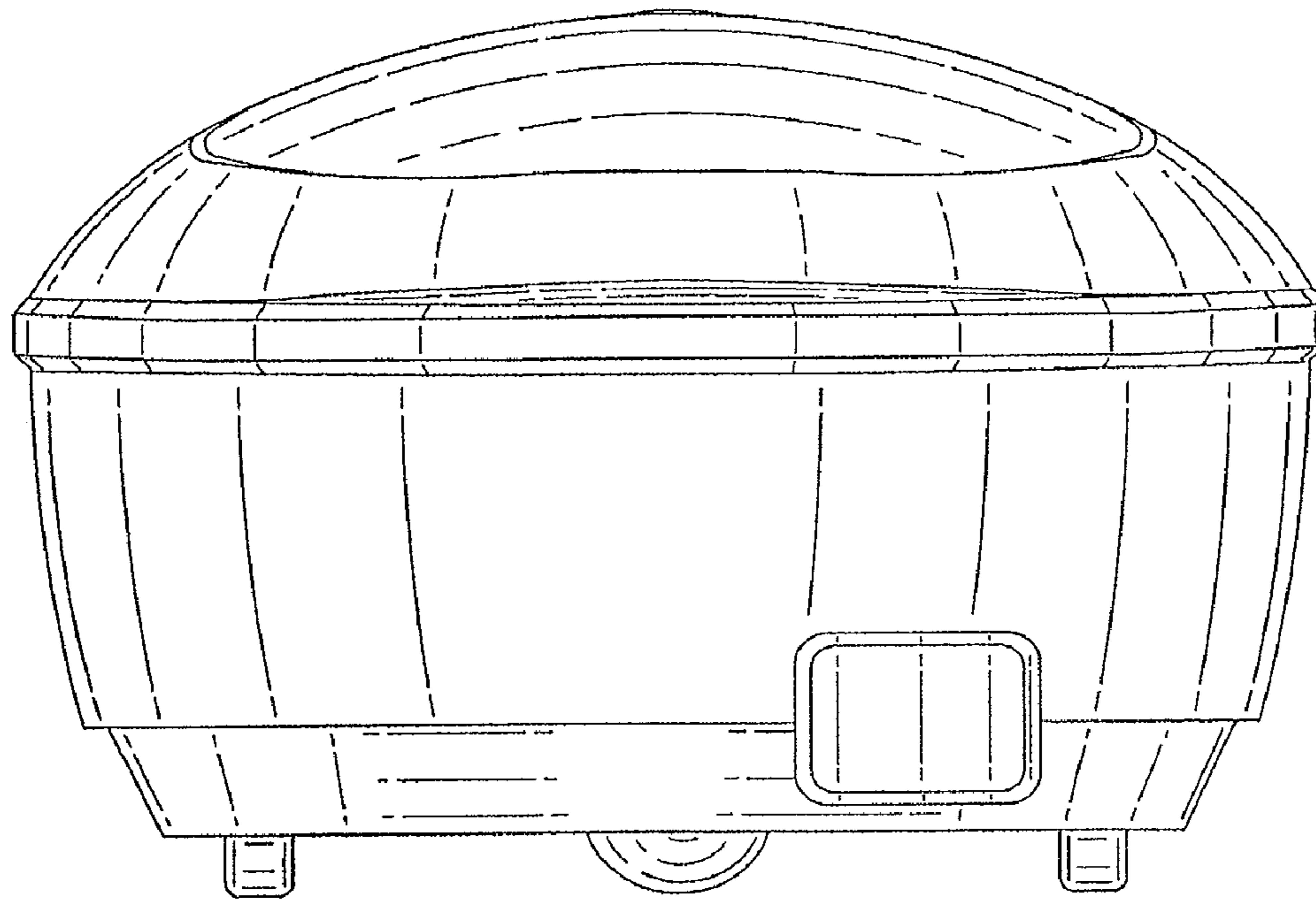


FIG. 3

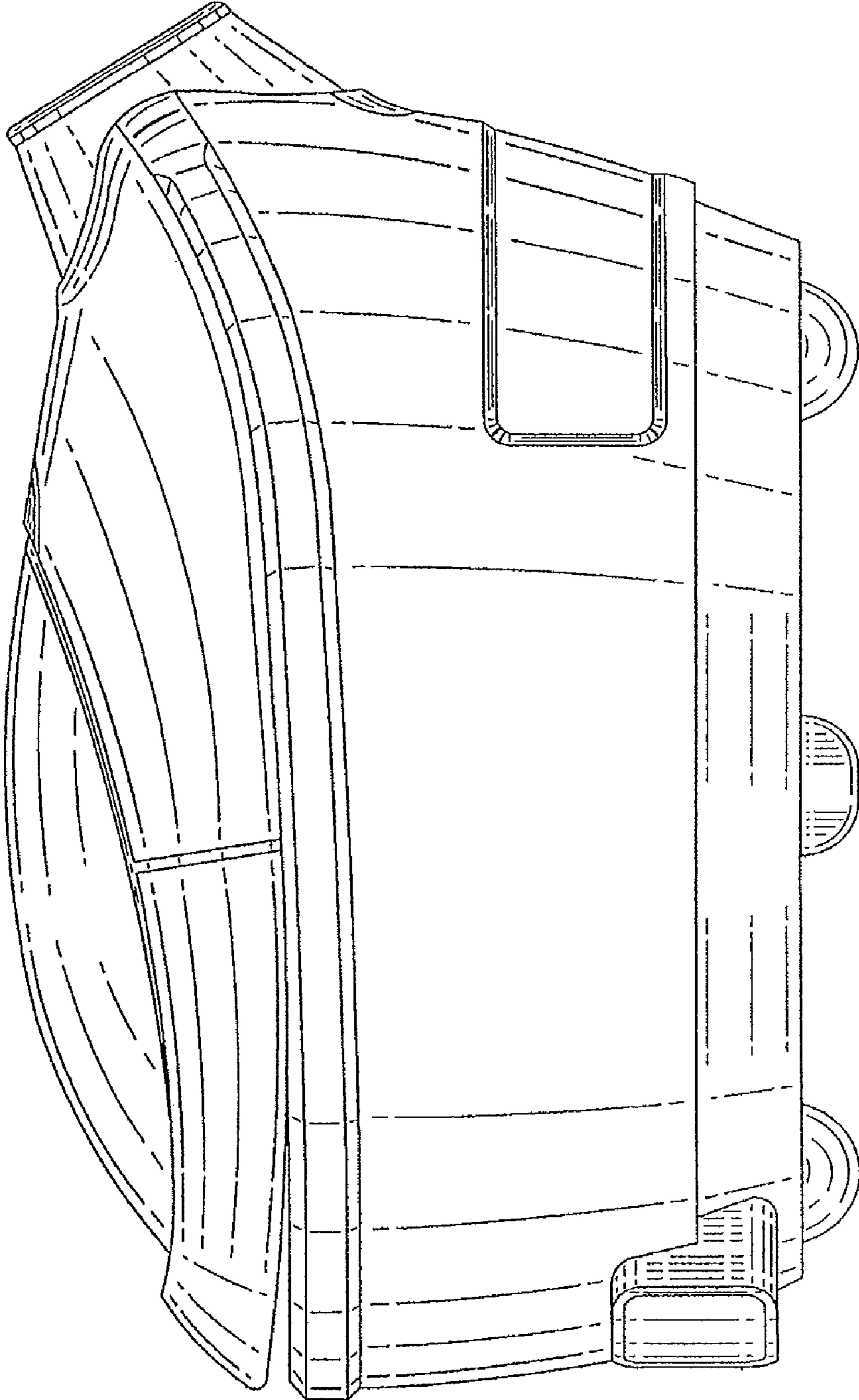


FIG. 4

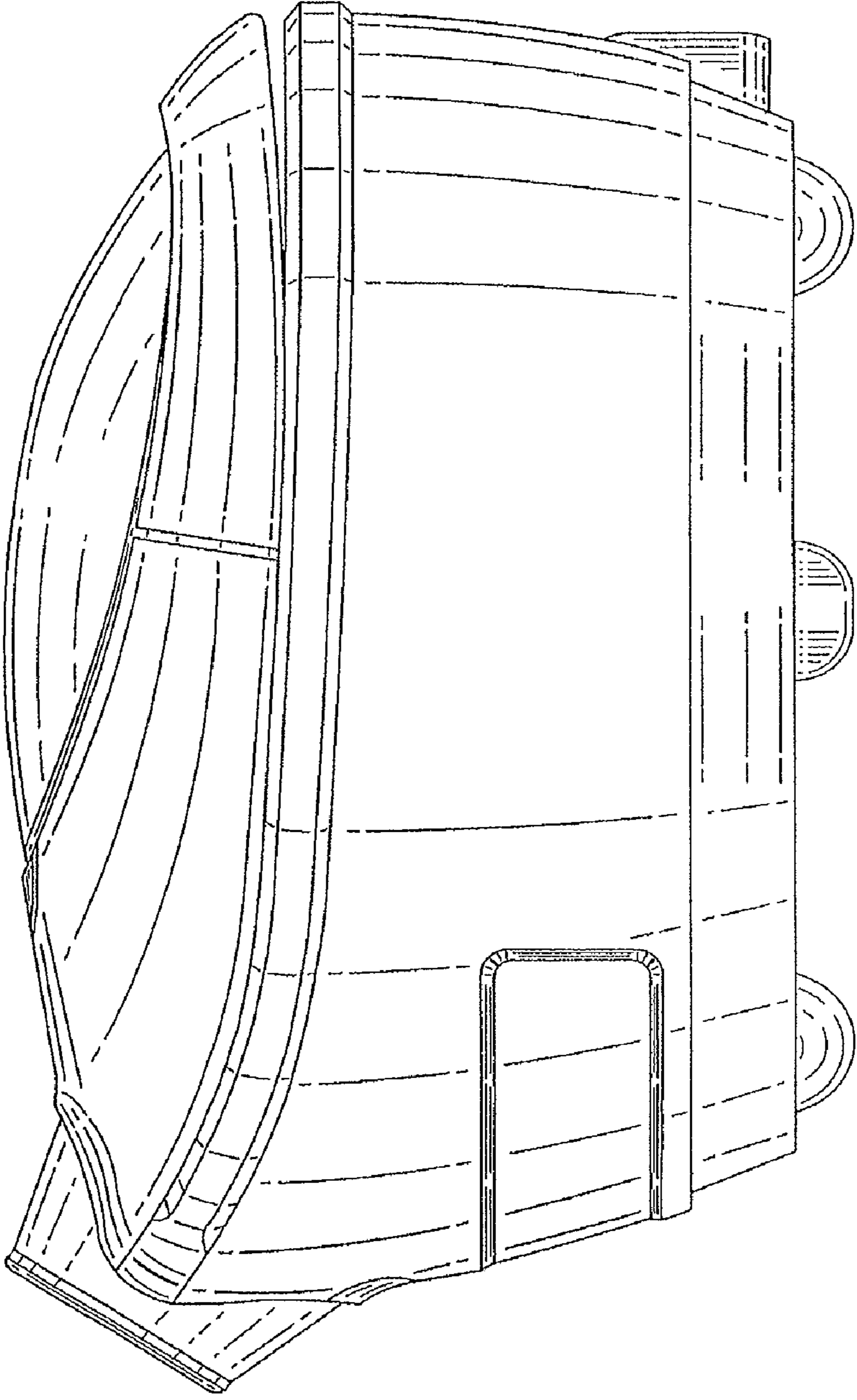


FIG. 5

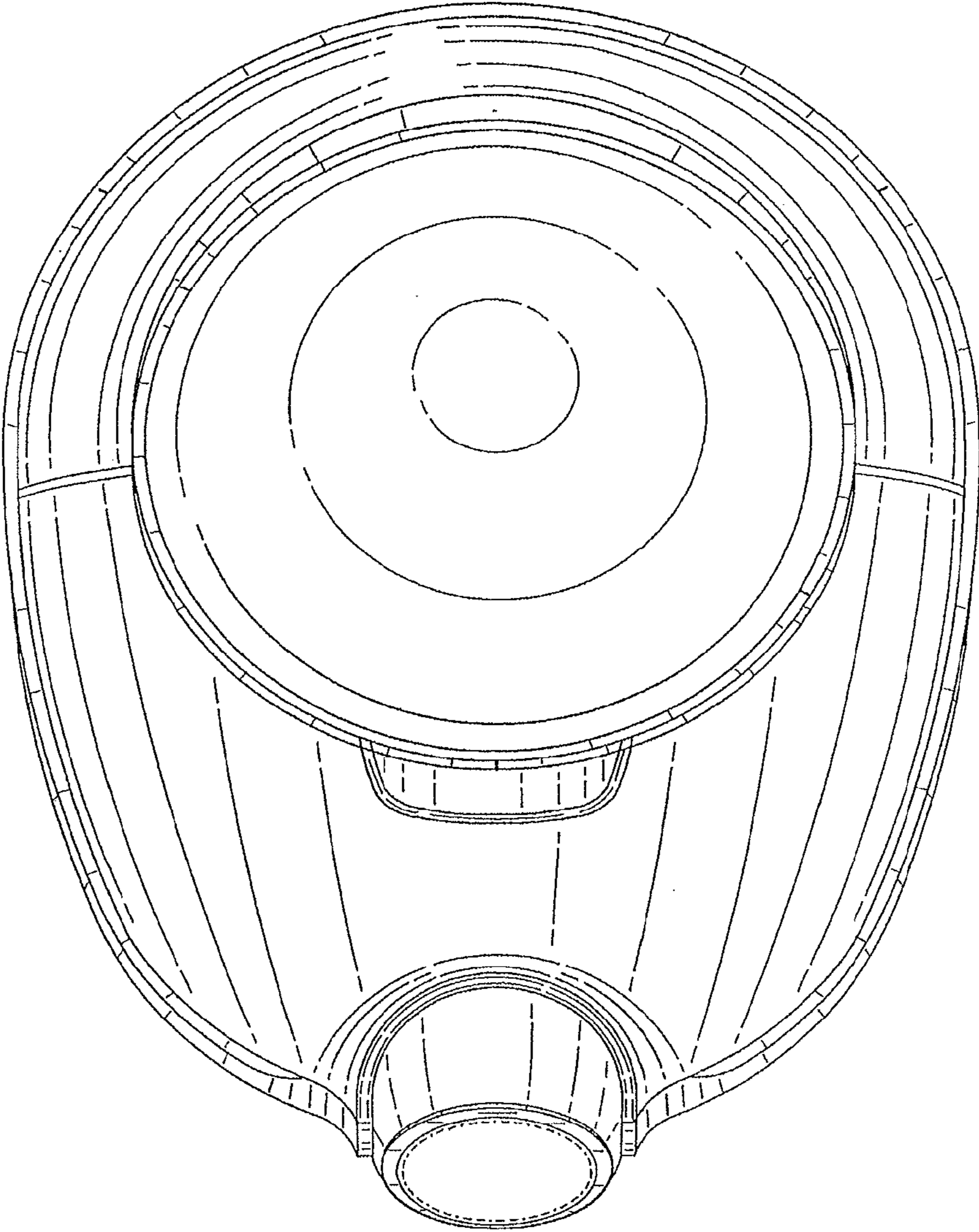


FIG. 6

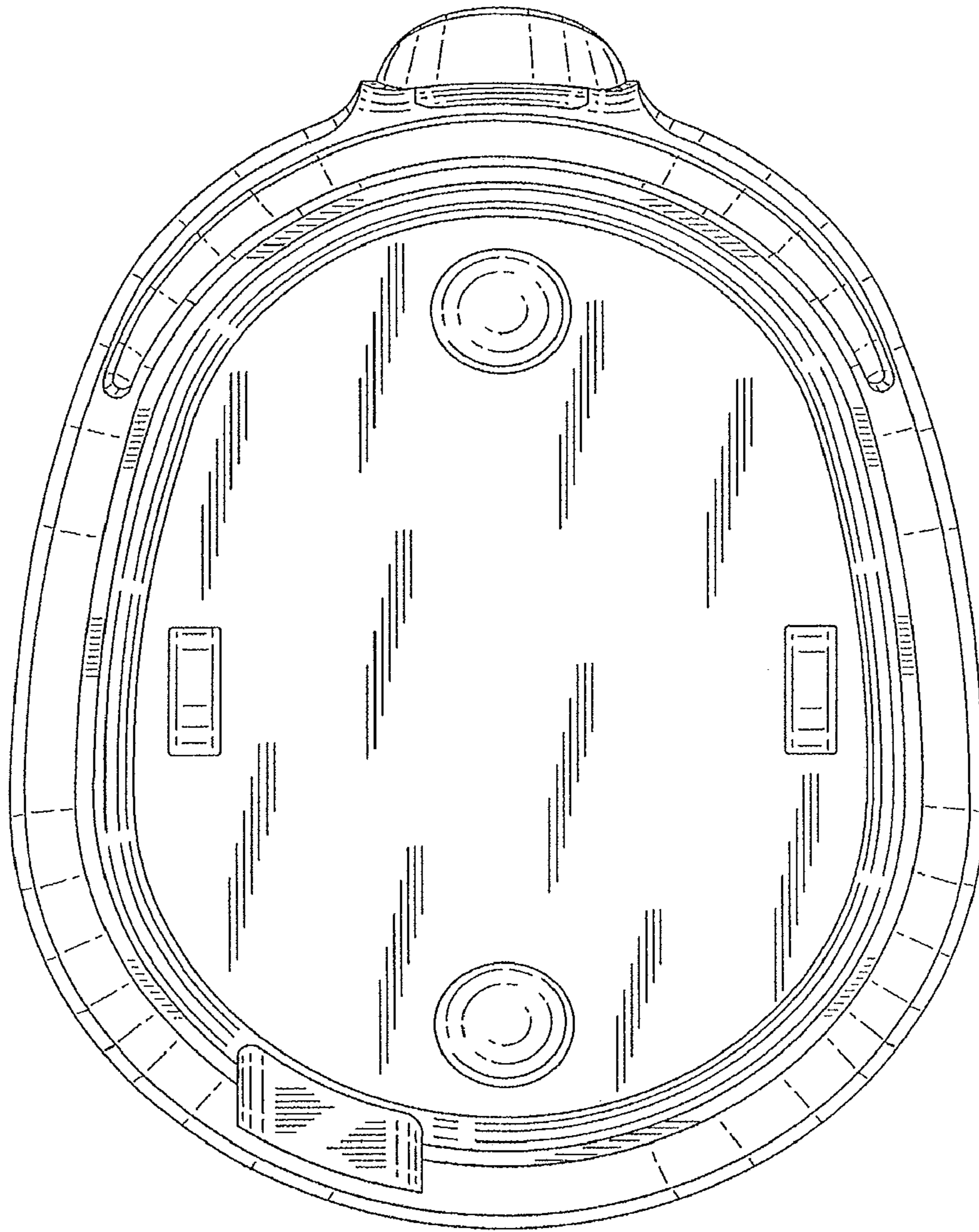


FIG. 7