



US00D655870S

(12) **United States Design Patent**
Carlin, Jr.

(10) **Patent No.:** **US D655,870 S**

(45) **Date of Patent:** **** Mar. 13, 2012**

(54) **INCUBATOR FOR CHICKS**

(76) **Inventor:** **Thomas R. Carlin, Jr.**, Thomasville, NC
(US)

(**) **Term:** **14 Years**

(21) **Appl. No.:** **29/399,379**

(22) **Filed:** **Aug. 12, 2011**

(51) **LOC (9) Cl.** **30-02**

(52) **U.S. Cl.** **D30/117**

(58) **Field of Classification Search** D30/115,
D30/117, 199; D24/216, 217, 232, 231;
119/6.6, 6.8, 300, 301, 302, 311; 435/317.1,
435/240.2

See application file for complete search history.

(56) **References Cited**

U.S. PATENT DOCUMENTS

183,283	A	*	10/1876	Cate	312/284
D45,434	S	*	3/1914	Sheer	D30/117
1,460,349	A	*	6/1923	Oakes	119/319
3,088,436	A	*	5/1963	Lyon	119/319
3,543,726	A	*	12/1970	Marsh	119/319
3,584,605	A	*	6/1971	Schwartz	119/319
D224,685	S	*	8/1972	Michlap et al.	D30/117
D240,238	S	*	6/1976	Perkins et al.	D30/117
D245,632	S	*	8/1977	Kitson	D30/115
D250,355	S	*	11/1978	Marsh	D30/117
4,215,651	A	*	8/1980	Pearce	119/323
4,787,382	A	*	11/1988	Pekovic	128/203.25
D335,003	S	*	4/1993	O'Connell	D30/108

D381,432	S	*	7/1997	Wenstrand	D24/217
D433,544	S	*	11/2000	Nesbit-Yontz	D30/161
D568,093	S	*	5/2008	Hocutt	D7/356
D569,172	S	*	5/2008	Bledsoe	D7/391

OTHER PUBLICATIONS

- A photograph of the bottom of a standard plastic container.
- A photograph of the side of the plastic container seen in Ref. No. 1.
- A photograph of the top of a standard plastic base.
- A photograph of the bottom of the plastic base seen in Ref. No. 3.
- A photograph of the side of the standard plastic base seen in Ref. No. 3.

* cited by examiner

Primary Examiner — John Windmuller

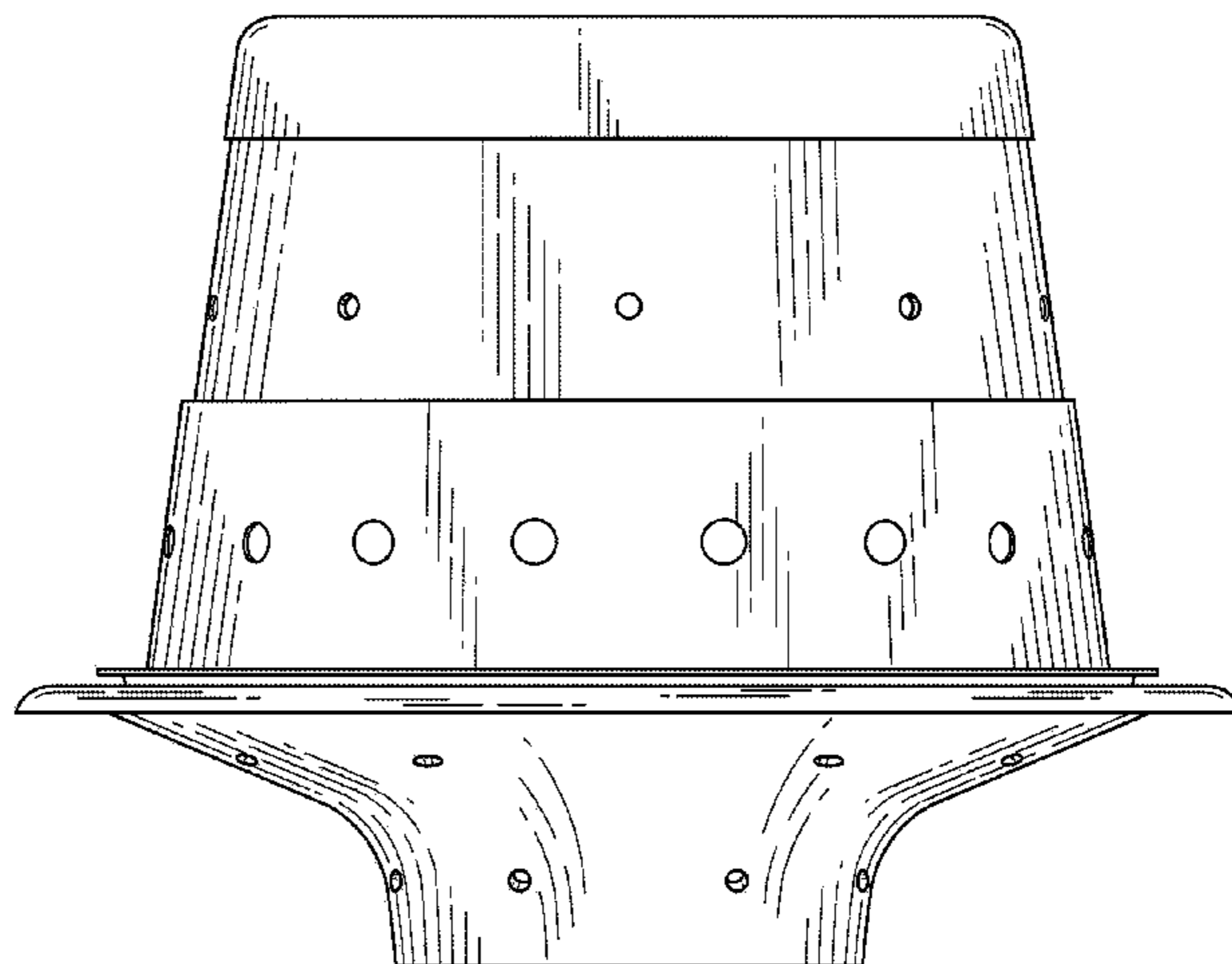
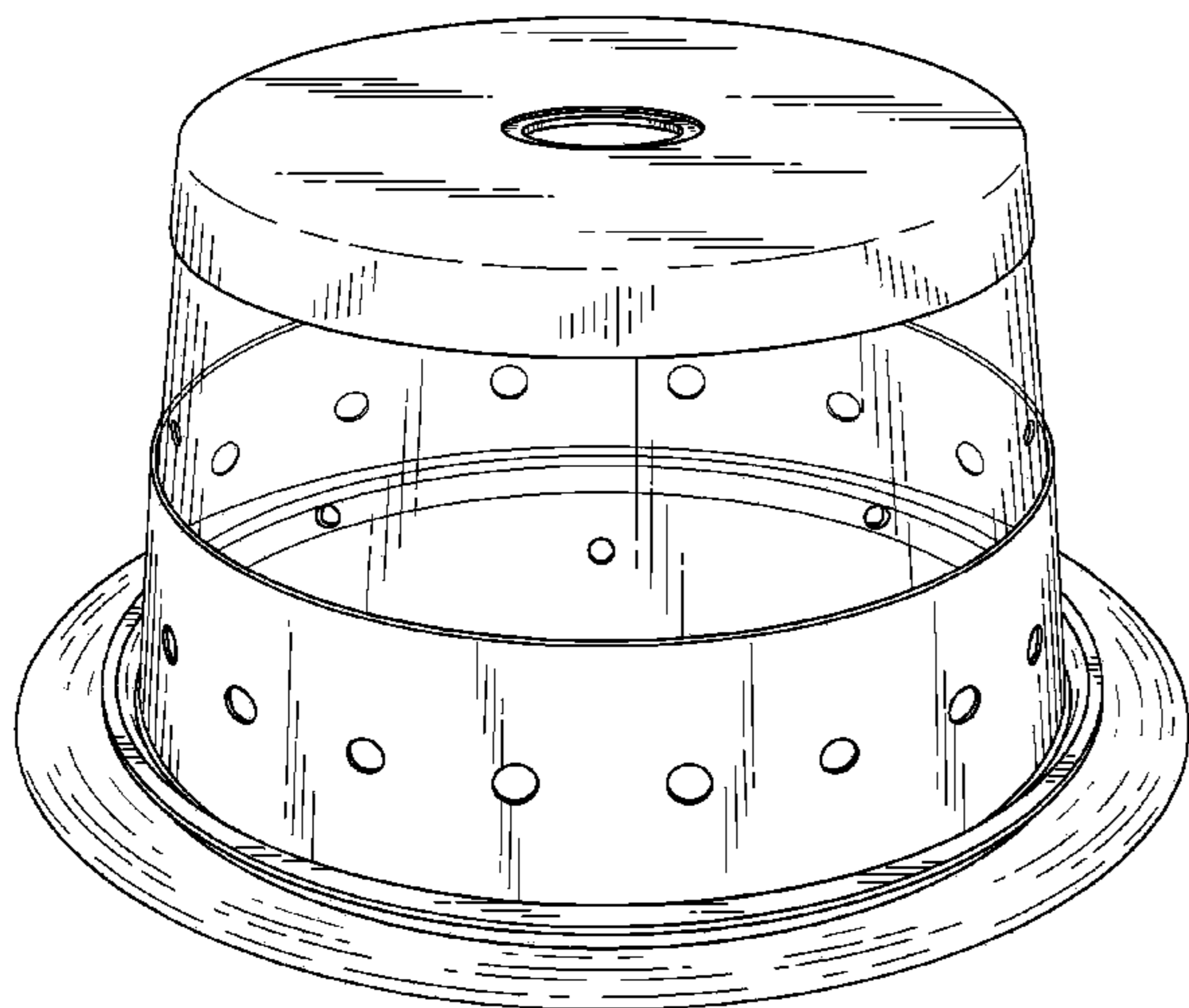
(57) **CLAIM**

The ornamental design for an incubator for chicks, as shown and described.

DESCRIPTION

FIG. 1 is a perspective view of an incubator for chicks showing my new design;
 FIG. 2 is a side elevational view thereof, the incubator for chicks being symmetrical with the front, rear, left side and right side elevational views all being the same;
 FIG. 3 is a top plan view thereof; and,
 FIG. 4 is a bottom plan view thereof.
 The broken lines in FIG. 3 indicate that the area within the small circle is a portion of the incubator for chicks that forms no part of the claimed design.

1 Claim, 4 Drawing Sheets



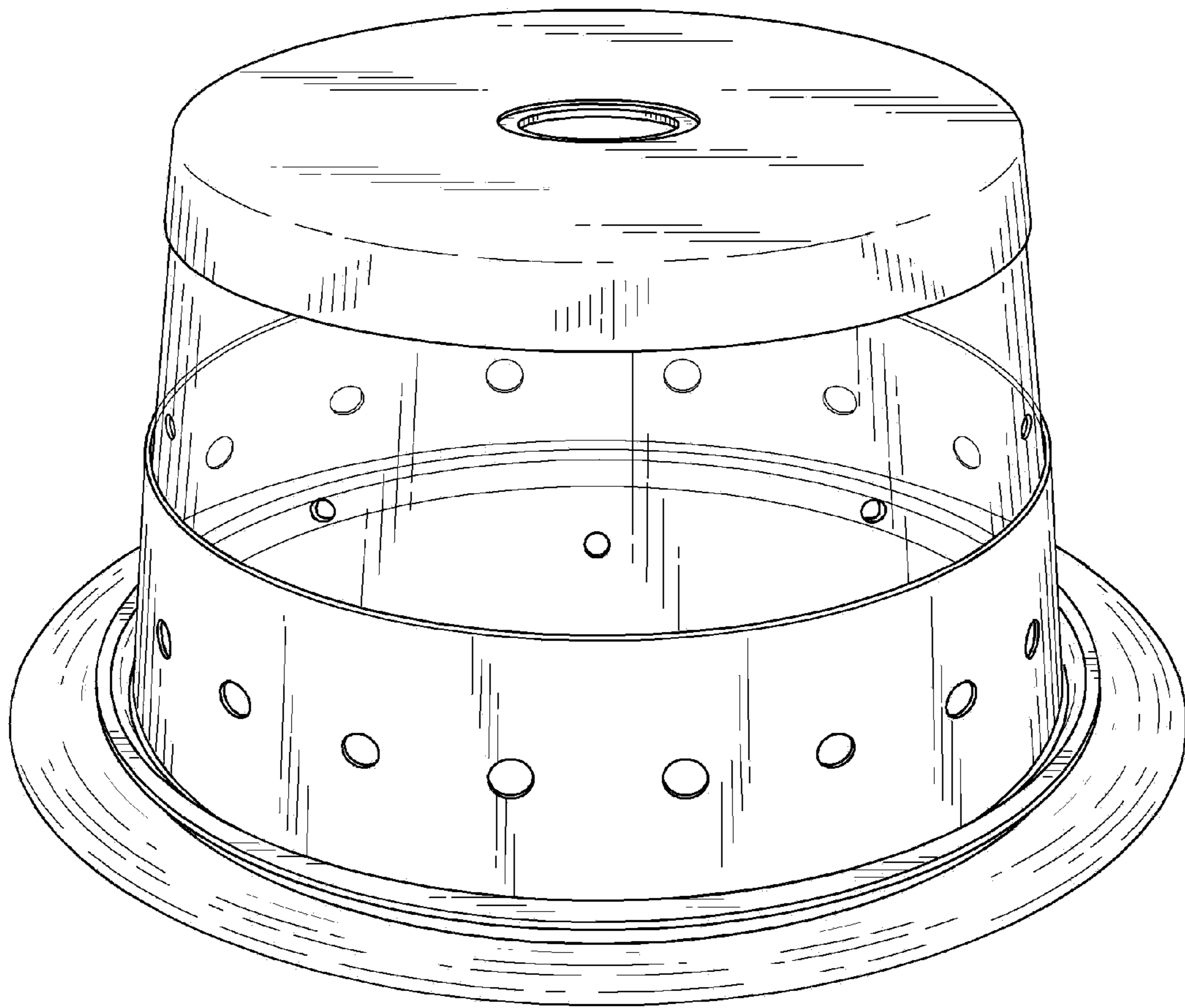


Fig. 1

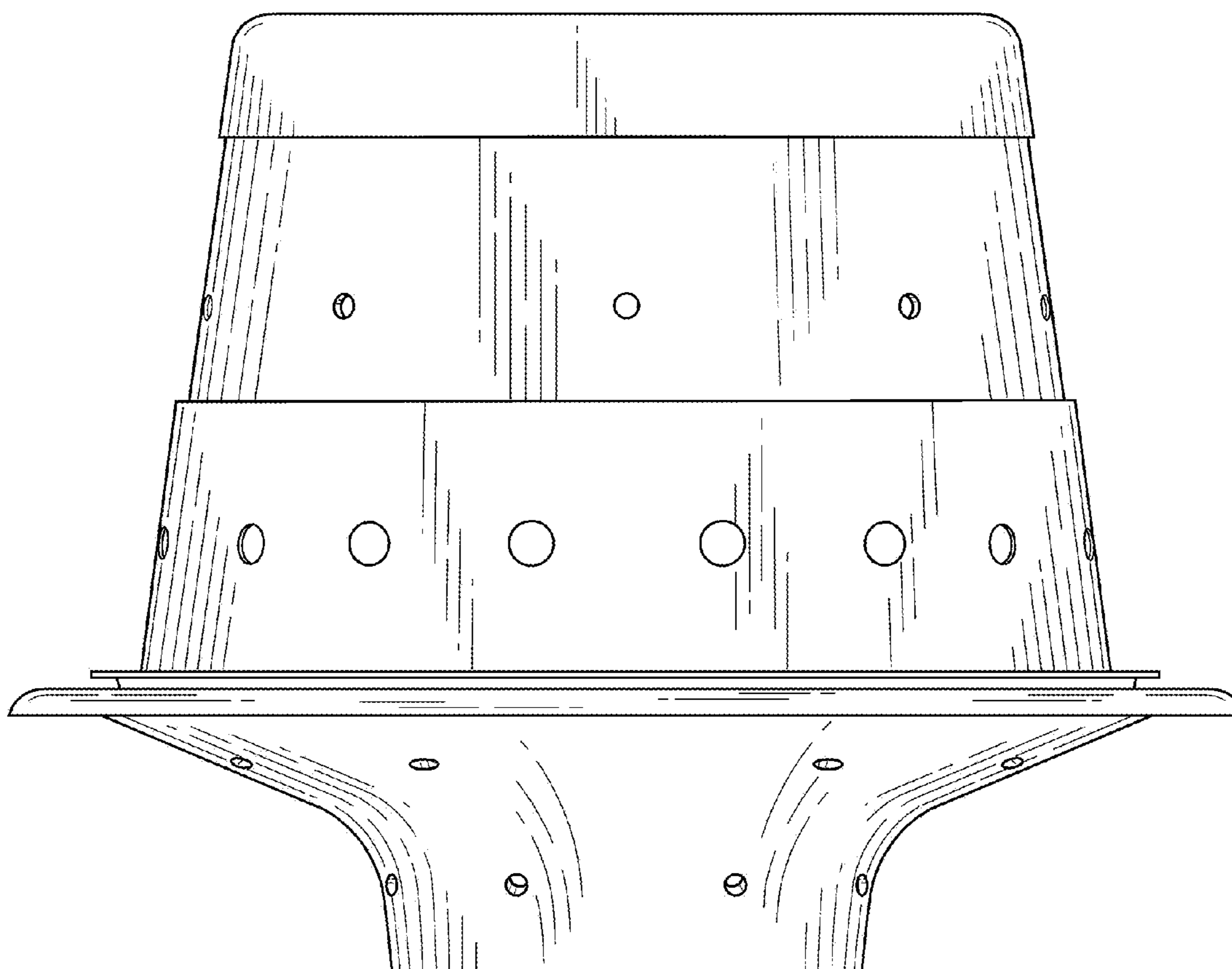


Fig. 2

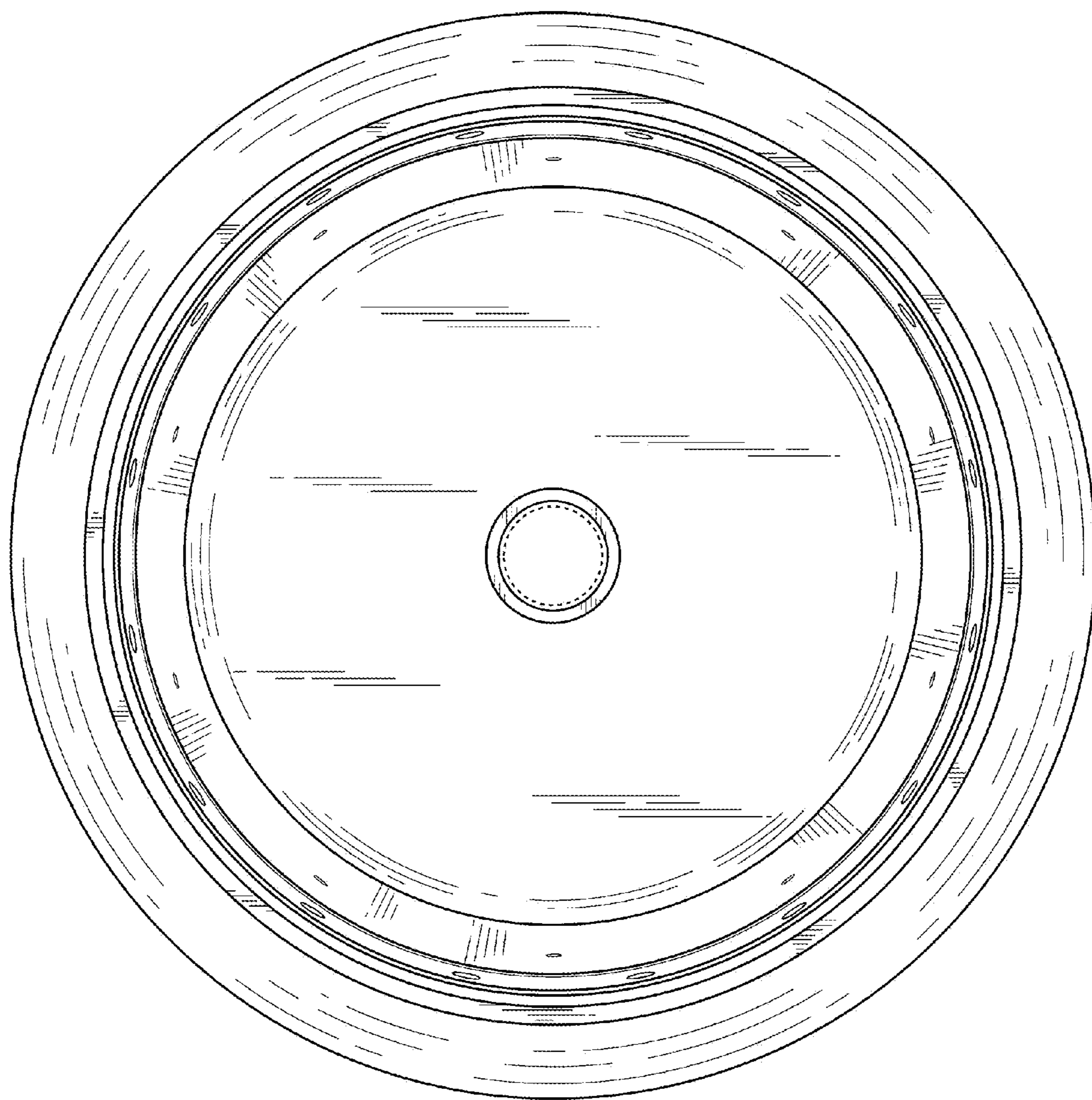


Fig. 3

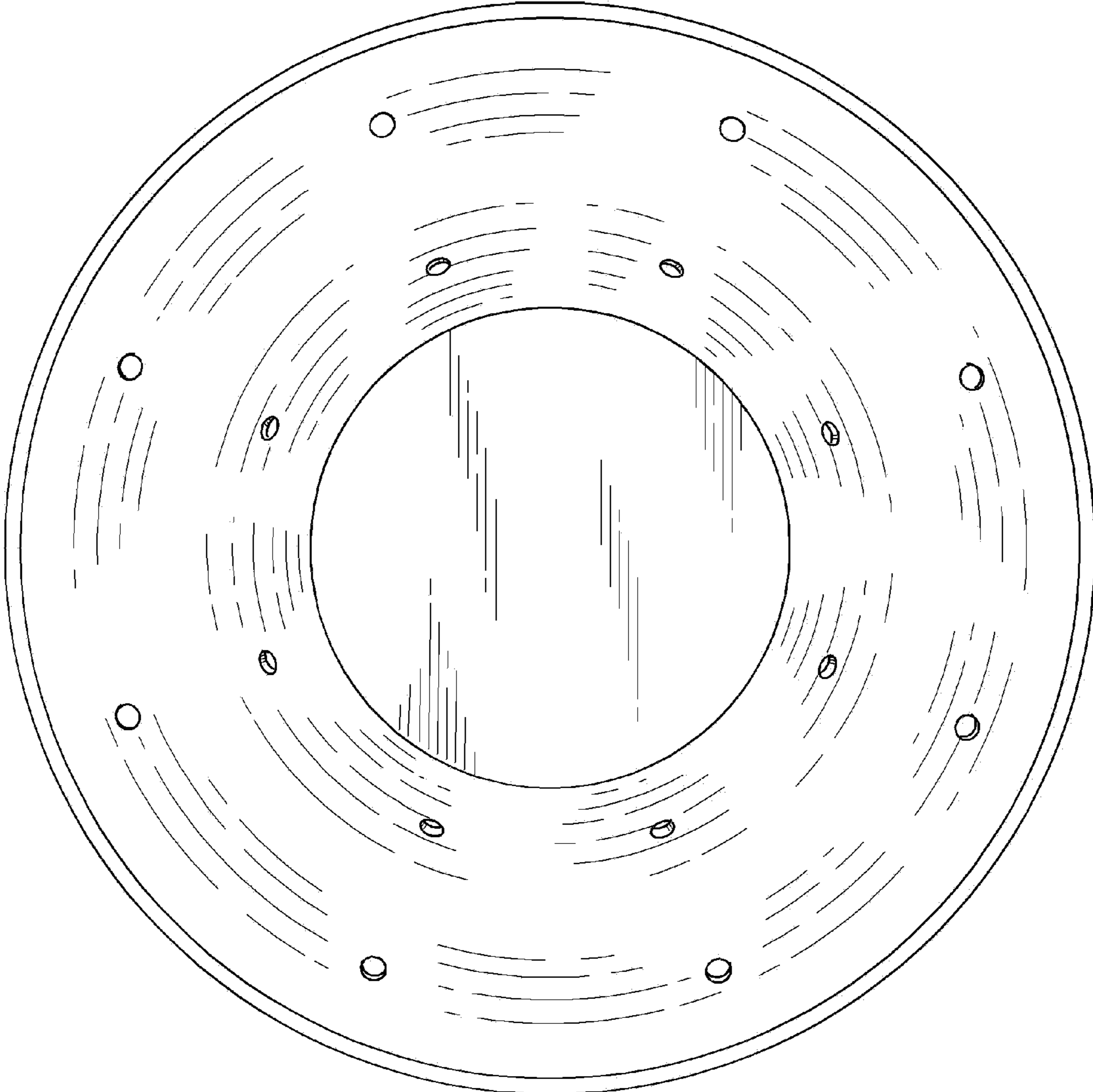


Fig. 4