



US00D655867S

(12) **United States Design Patent**
Allen et al.

(10) **Patent No.:** **US D655,867 S**
(45) **Date of Patent:** **** Mar. 13, 2012**

(54) **LIPSTICK CASE**
(75) Inventors: **Harry S. Allen**, New York, NY (US);
Michael F. Boylan, Brooklyn, NY (US)
(73) Assignee: **ELC Management LLC**, New York, NY (US)

AU 139187 12/1999
AU 139891 2/2000
AU 153258 10/2003
AU 301834 6/2005
AU 308407 8/2006
BR DI6101037-5 F 8/2001
BR DI6101091-0 F 8/2001

(Continued)

(**) Term: **14 Years**

Primary Examiner — Jennifer Rivard

(21) Appl. No.: **29/381,757**

(74) *Attorney, Agent, or Firm* — Cynthia Miller

(22) Filed: **Dec. 22, 2010**

(51) **LOC (9) Cl.** **28-03**

(52) **U.S. Cl.** **D28/88**

(58) **Field of Classification Search** D28/73,
D28/76–84, 85–90; 206/581, 823, 385;
132/286–318; 401/17, 18, 126–130, 78,
401/98; D9/503–504
See application file for complete search history.

(57) **CLAIM**

The ornamental design for a lipstick case, substantially as shown and described.

DESCRIPTION

FIG. 1 is a top and front perspective view of my new design for a lipstick case;
FIG. 2 is a front elevation view of the lipstick case shown in FIG. 1, the rear elevation view being identical thereto;
FIG. 3 is a side elevation view of the lipstick case shown in FIG. 1, the other side view being identical thereto;
FIG. 4 is a top plan view of the lipstick case shown in FIG. 1;
FIG. 5 is a bottom plan view of the lipstick case shown in FIG. 1;
FIG. 6 is a top and front perspective view of a second embodiment of my new design for a lipstick case, showing a lipstick bullet through the transparent inner cylinder. The opposite view being a mirror image thereof; and,
FIG. 7 is an exploded view of the lipstick case shown in FIG. 1.

The broken line disclosure of the lipstick bullet represents the environment of the lipstick case. The broken lines immediately within the cylinder opening and the bottom surface represent the bounds of the claim. None of the broken lines forms part of the claimed design.

(56) **References Cited**

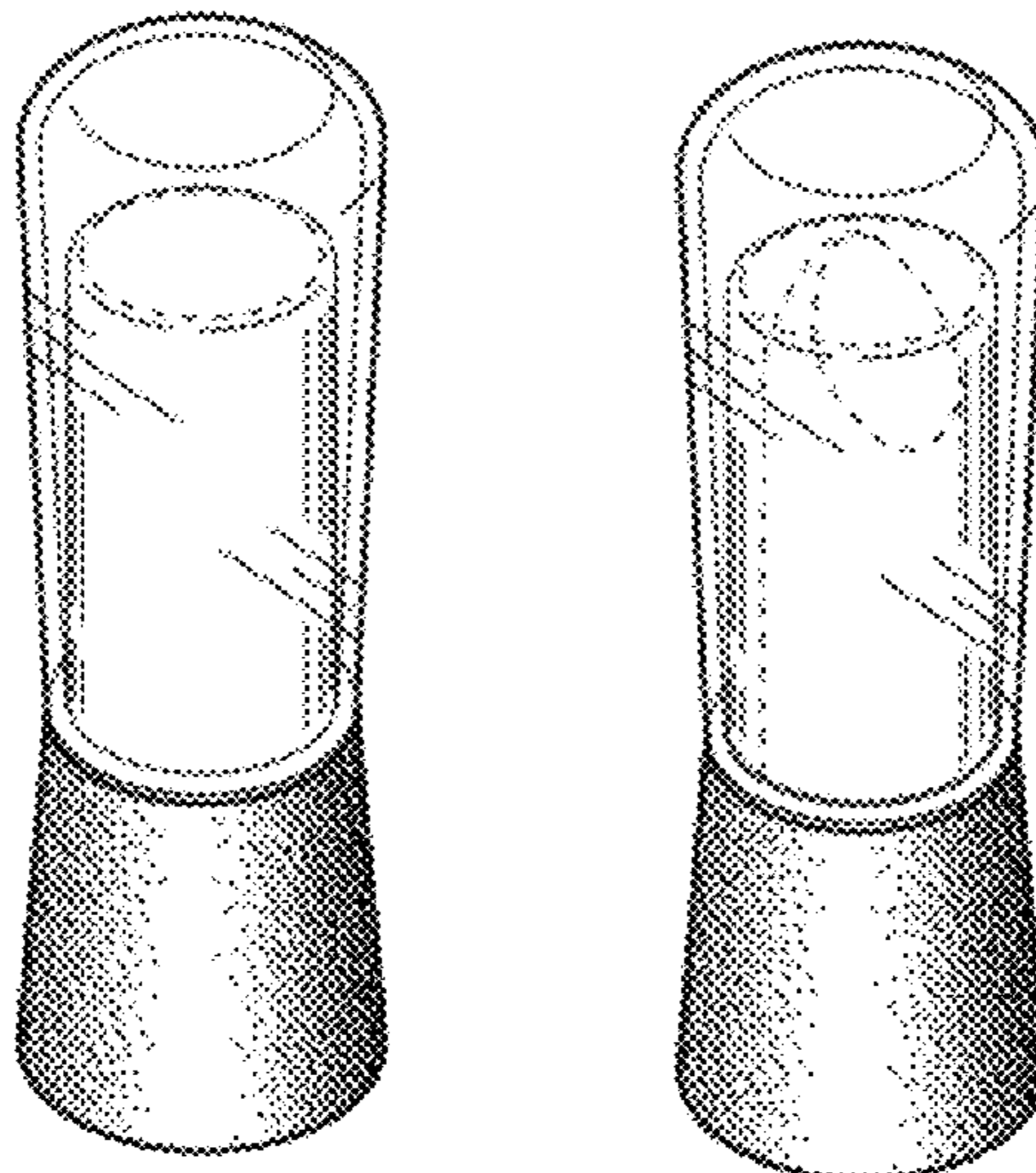
U.S. PATENT DOCUMENTS

D114,442	S *	4/1939	Dexter	D28/88
2,344,060	A *	3/1944	Ray	206/385
D176,326	S	12/1955	Guild et al.		
3,317,036	A *	5/1967	Cherba	401/78
3,346,103	A	10/1967	Swenson		
D415,319	S *	10/1999	Bakic	D28/76
D521,383	S *	5/2006	Priestman	D28/88
D526,205	S	8/2006	Priestman		
D528,920	S	9/2006	Priestman		
D567,448	S	4/2008	Mascotte et al.		
D617,954	S	6/2010	L'Abbate		
2005/0183984	A1 *	8/2005	Shih	206/581
2010/0108553	A1 *	5/2010	McLaughlin	206/385

FOREIGN PATENT DOCUMENTS

AU	109887	12/1990
AU	109888	12/1990
AU	137625	6/1999

1 Claim, 2 Drawing Sheets



US D655,867 S

Page 2

FOREIGN PATENT DOCUMENTS					
			JP	1057525	1/2000
			JP	1233038	3/2005
			JP	1391223	6/2010
			KR	30-0192975	3/1997
			KR	30-0277580	7/2001
			KR	30-0336232	11/2003
			KR	30-0397190	11/2005
			KR	30-0467050	10/2007
			KR	30-0546781	12/2009
			KR	30-0556433	3/2010
			KR	30-0575207	10/2010
			MX	17308	4/2005
			MX	17552	5/2005
			MX	21842	4/2007
			MX	26276	10/2008
			RU	41477	7/1995
			RU	42984	11/1996
			WO	002270	2/1983
			WO	010527	3/1988
			WO	010578	3/1988
			WO	010579	3/1988
			WO	014708	11/1988
			WO	012740	2/1989
			WO	014434	8/1989
			WO	016867	6/1990
			WO	018212	11/1990
			WO	020836	10/1991
			WO	025456	3/1993
			WO	032878	6/1995
			WO	035949	3/1996
			WO	035704	4/1996
			WO	039431	3/1997
			WO	040232	5/1997
			WO	043945	5/1998
			WO	049067	11/1999
			WO	052393	9/2000
			WO	053527	12/2000
			WO	055263	4/2001
			WO	058154	1/2002
			WO	058593	2/2002
BR	DI6401185-2 F	6/2004			
CN	3453402D	6/2005			
CN	3622349D	3/2007			
CN	300901808D	4/2009			
CN	301204345 S	5/2010			
EM	410832-1	9/2005			
EM	410832-2	9/2005			
EM	410832-3	9/2005			
EM	425533-1	10/2005			
EM	425533-2	10/2005			
EM	429915-1	11/2005			
EM	429915-2	11/2005			
EM	429915-3	11/2005			
EM	429915-4	11/2005			
EM	429915-5	11/2005			
EM	429915-6	11/2005			
EM	429915-7	11/2005			
EM	429915-8	11/2005			
EM	493184-1	3/2006			
EM	515747-1	4/2006			
EM	616206-2	11/2006			
EM	887351-2	2/2008			
EM	1010995-1	9/2008			
EM	117825-1	10/2008			
EM	117833-1	10/2008			
EM	117841-1	10/2008			
EM	117866-1	10/2008			
EM	117874-1	10/2008			
EM	110168-1	12/2008			
EM	110168-3	12/2008			
EM	1107536-3	3/2009			
EM	1613852-1	9/2009			
EM	256334-1	11/2009			
EM	256334-2	11/2009			
EM	256334-3	11/2009			
EM	256334-4	11/2009			
EM	256334-5	11/2009			
EM	344114-1	5/2010			
EM	360755-1	6/2010			
JP	1011200	5/1998			
JP	1056985	12/1999			

* cited by examiner

FIG. 1

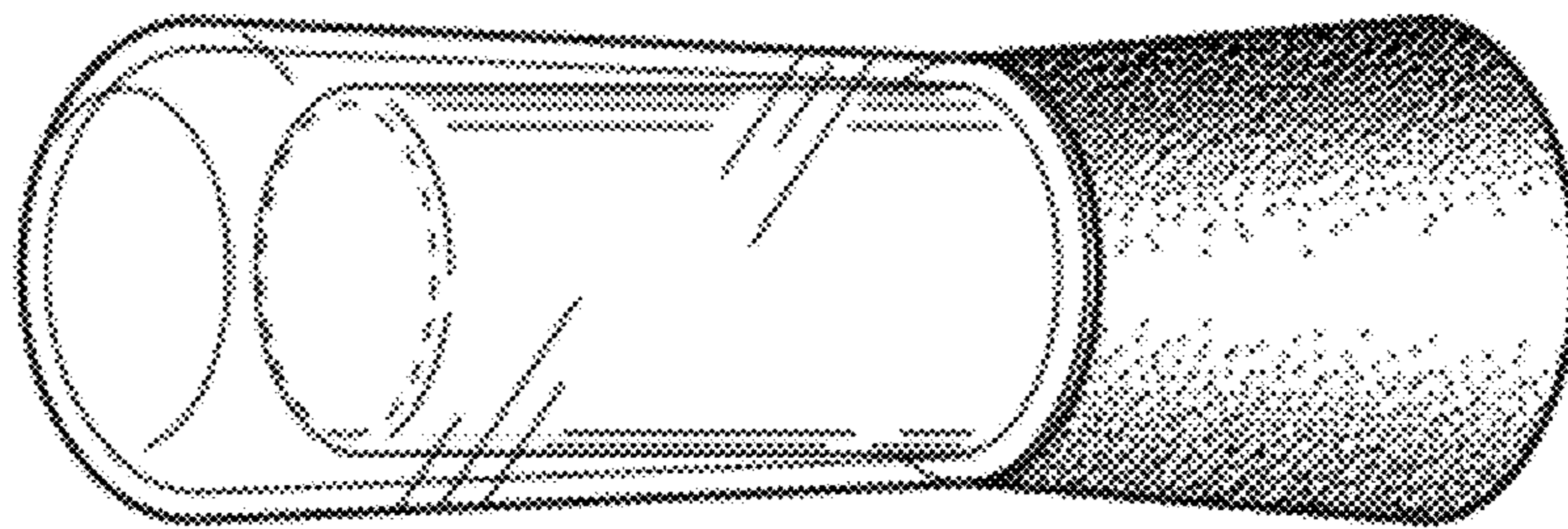


FIG. 2

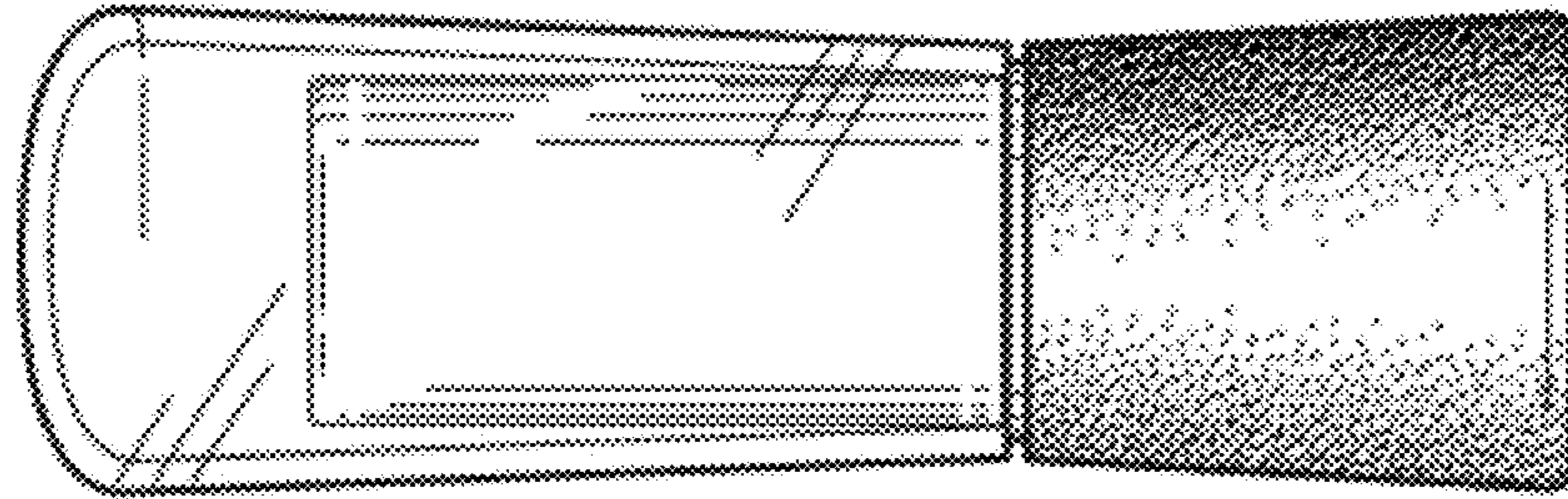
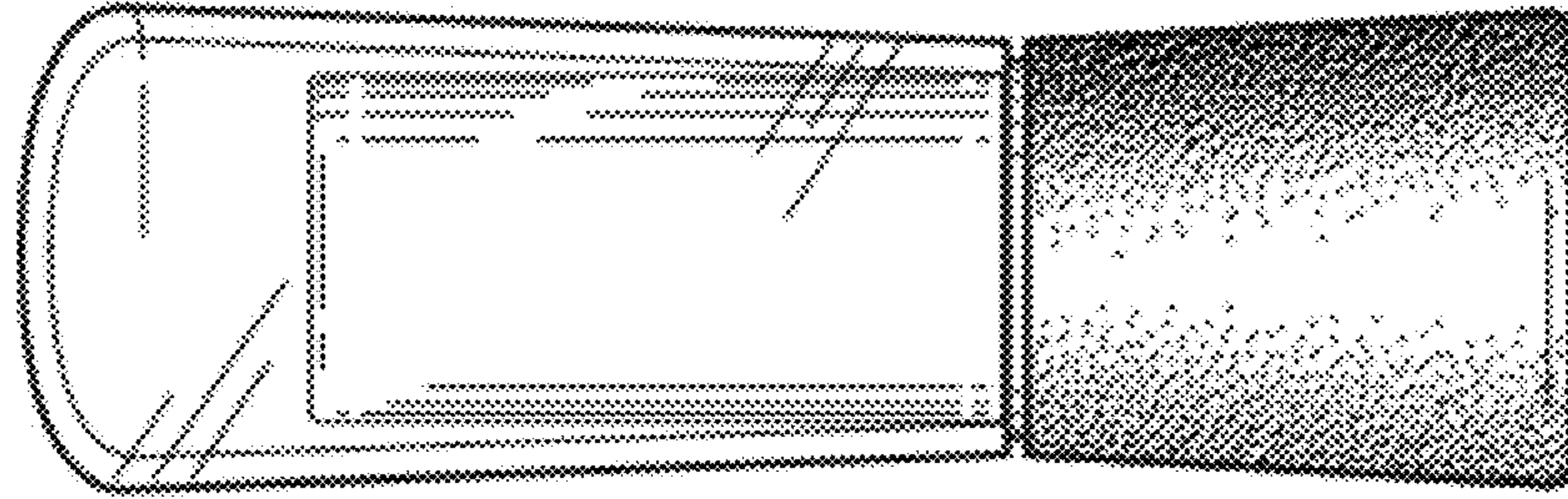


FIG. 3



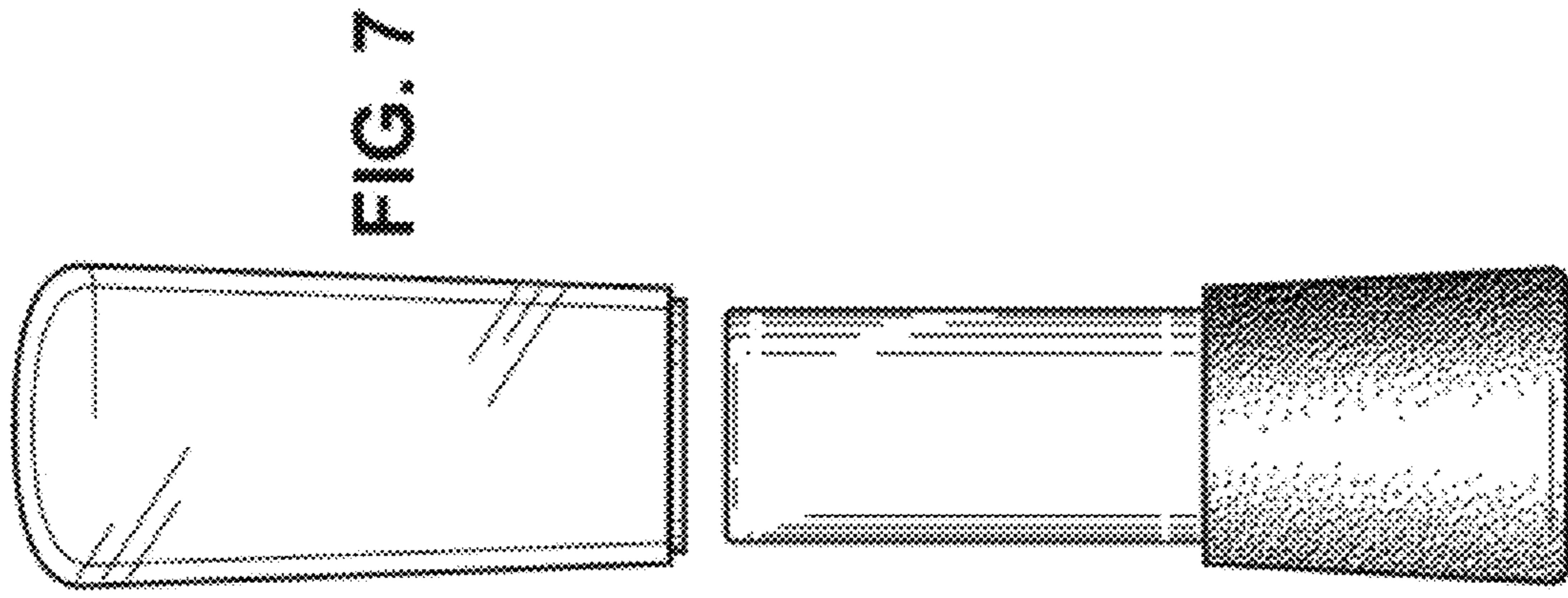


FIG. 6

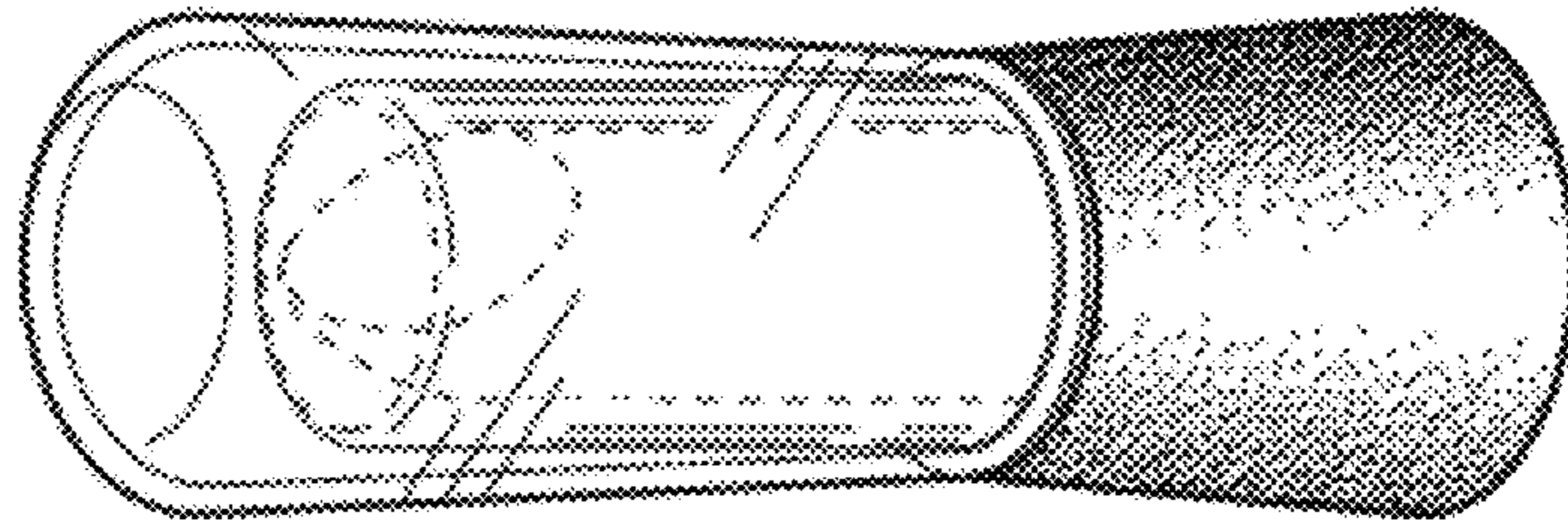


FIG. 4

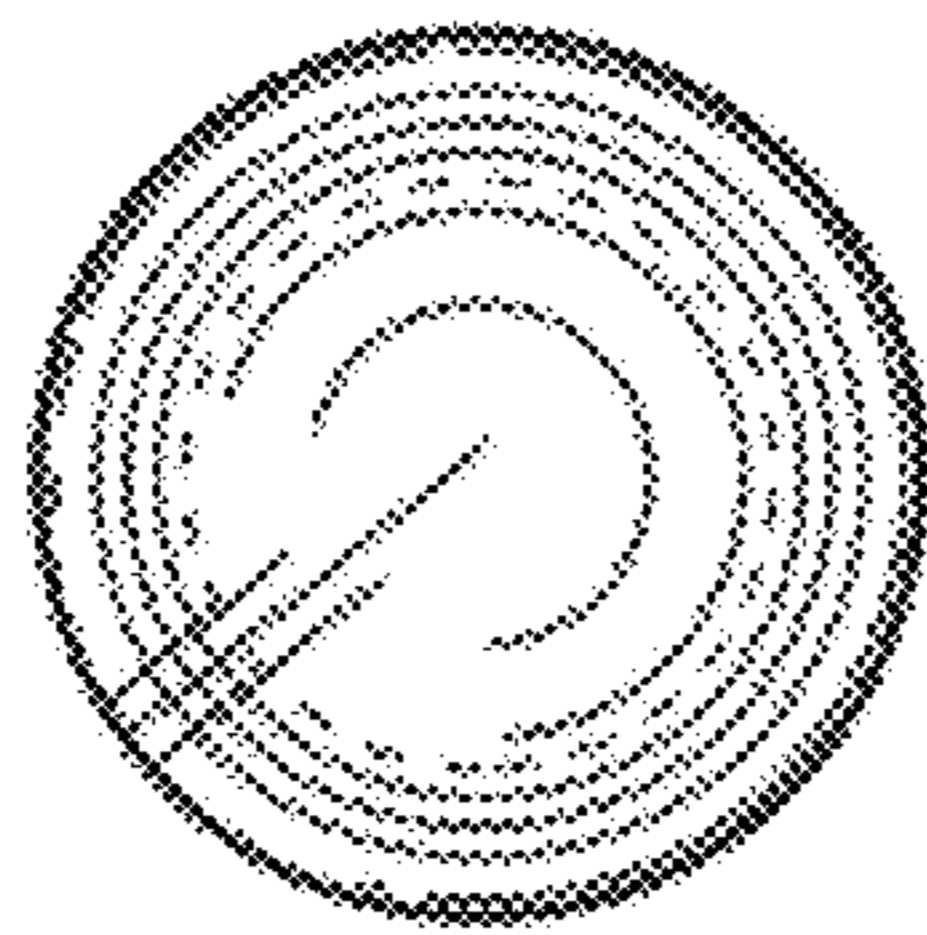


FIG. 5

