



US00D655864S

(12) **United States Design Patent**
Zeitouny

(10) **Patent No.:** **US D655,864 S**
(45) **Date of Patent:** **** Mar. 13, 2012**

(54) **NAIL FILE CASE**
(76) Inventor: **Raymond Zeitouny**, Brooklyn, NY (US)
(**) Term: **14 Years**
(21) Appl. No.: **29/399,175**
(22) Filed: **Aug. 10, 2011**
(51) **LOC (9) Cl.** **28-03**
(52) **U.S. Cl.** **D28/59; D3/205**
(58) **Field of Classification Search** D28/56,
D28/57, 59, 60, 61; D19/83, 77; 132/76.4,
132/76.5, 73; D3/266, 205, 294; 206/581,
206/823, 6
See application file for complete search history.

D501,714 S 2/2005 Trybus
D545,497 S * 6/2007 Feng et al. D28/59
D549,053 S * 8/2007 Dellaferrera D3/294
D571,041 S * 6/2008 Schaeffer D28/59
D597,255 S * 7/2009 Wittke-Kothe D28/59
D600,410 S * 9/2009 Choi D28/59
D608,948 S * 1/2010 Wittke-Kothe D28/59
D625,913 S * 10/2010 Phillips D3/205

* cited by examiner

Primary Examiner — Jennifer Rivard
(74) *Attorney, Agent, or Firm* — Rankin, Hill & Clark LLP

(57) **CLAIM**
The ornamental design for nail file case, as shown and described.

DESCRIPTION

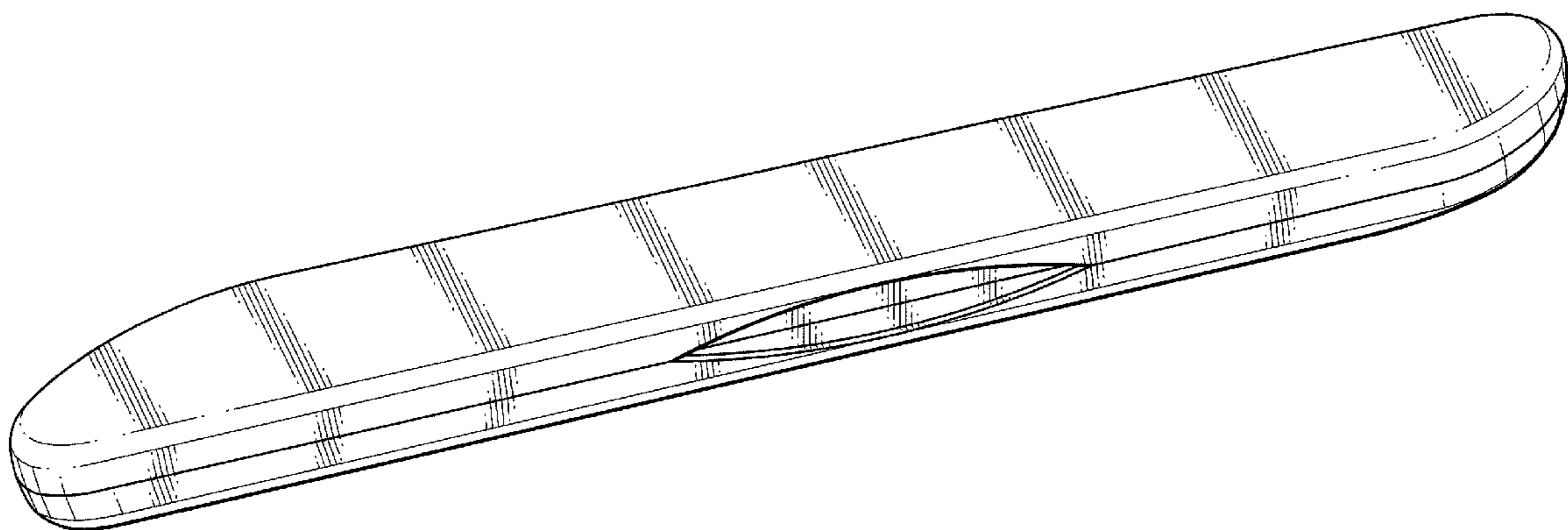
FIG. 1 is a top perspective view of a nail file case.
FIG. 2 is a top plan view of the nail file case of FIG. 1.
FIG. 3 is a bottom plan view of the nail file case of FIG. 1.
FIG. 4 is a front view of the nail file case of FIG. 1.
FIG. 5 is a rear view of the nail file case of FIG. 1.
FIG. 6 is a right side view of the nail file case of FIG. 1; and,
FIG. 7 is a left side view of the nail file case of FIG. 1.

1 Claim, 6 Drawing Sheets

(56) **References Cited**

U.S. PATENT DOCUMENTS

1,434,442 A 11/1922 Kohn et al.
2,246,705 A 6/1941 Tyree
3,323,638 A * 6/1967 Dishart 132/75
D394,731 S * 5/1998 Lee D28/60
D422,139 S 4/2000 Meikle
D447,285 S 8/2001 Trybus
D453,991 S 3/2002 Trybus
D484,683 S * 1/2004 Eldon et al. D3/205



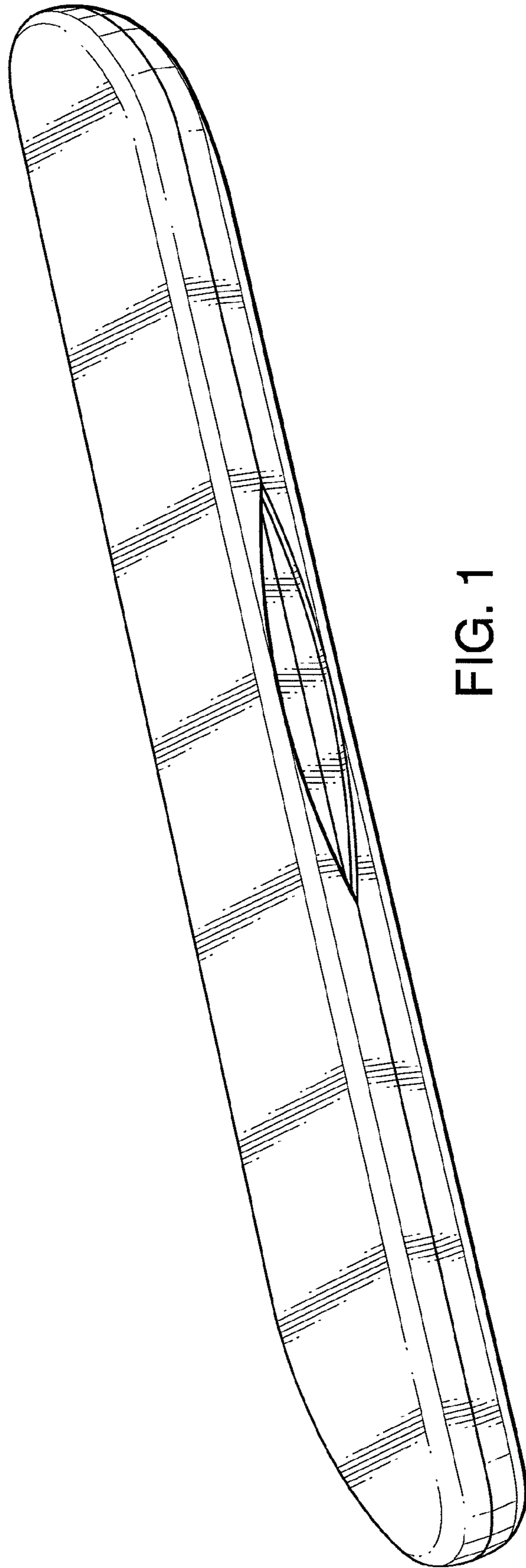


FIG. 1

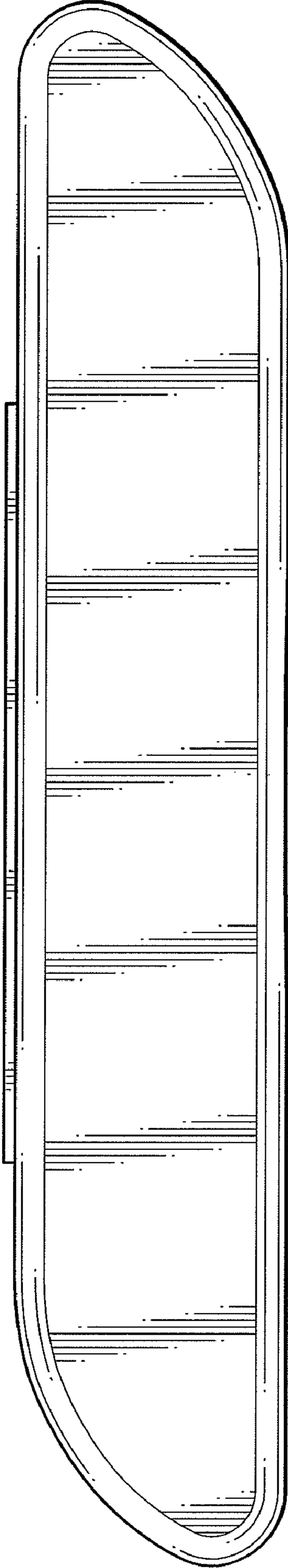


FIG. 2

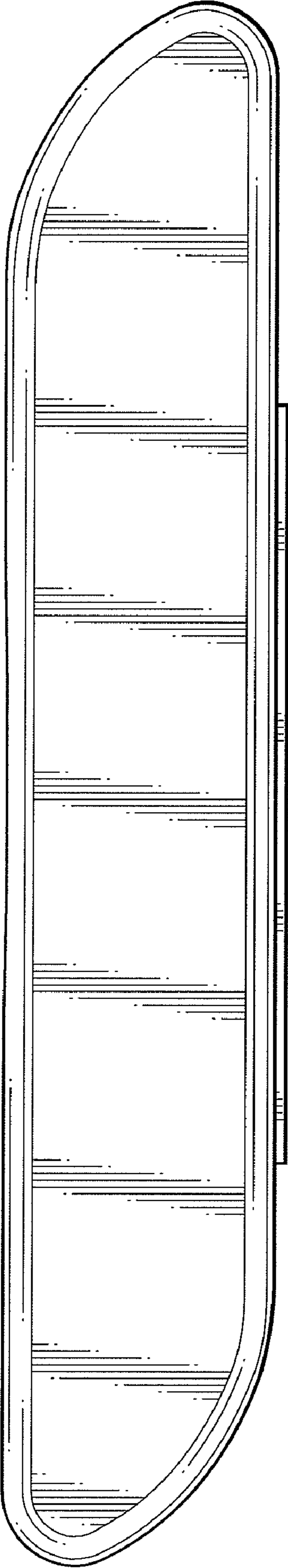


FIG. 3

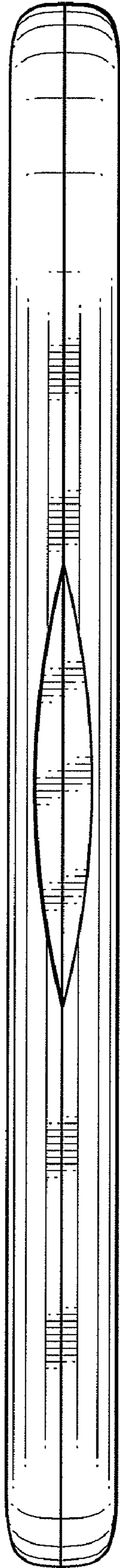


FIG. 4

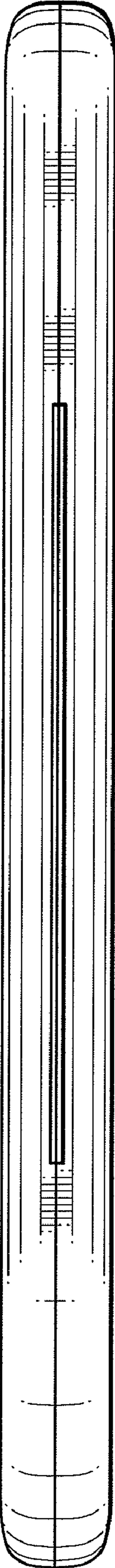


FIG. 5

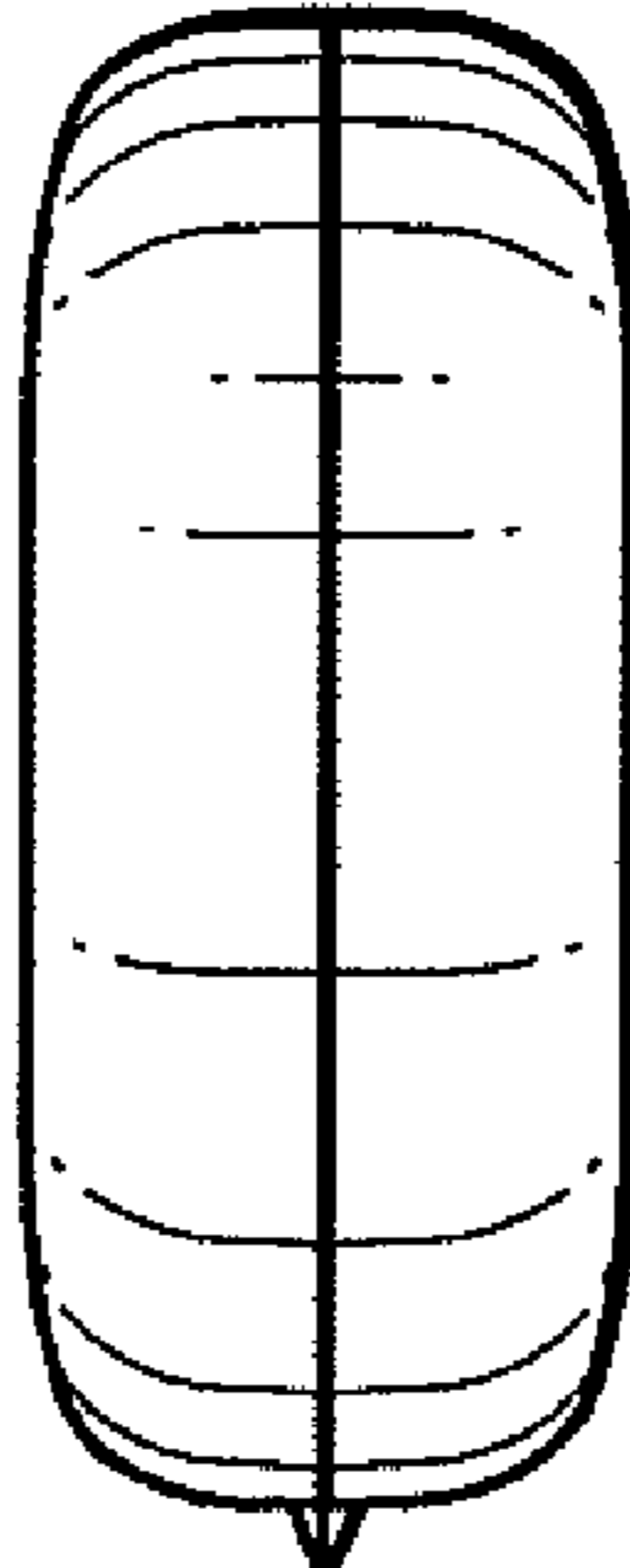


FIG. 7

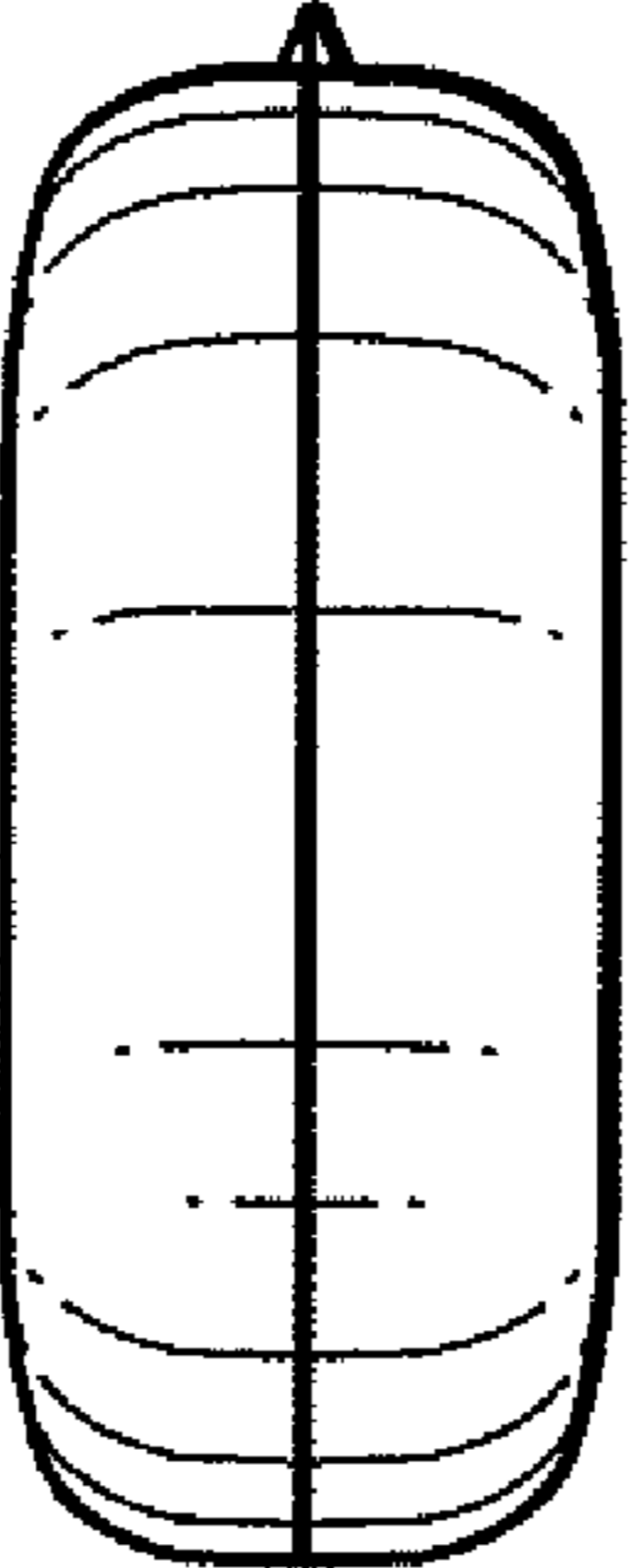


FIG. 6