



US00D655863S

(12) **United States Design Patent**
Olsen

(10) **Patent No.:** **US D655,863 S**

(45) **Date of Patent:** **** Mar. 13, 2012**

(54) **NAIL FILE**

(76) Inventor: **Howard Olsen**, Hampden, ME (US)

(**) Term: **14 Years**

(21) Appl. No.: **29/373,562**

(22) Filed: **Apr. 28, 2011**

(51) **LOC (9) Cl.** **28-03**

(52) **U.S. Cl.** **D28/59**

(58) **Field of Classification Search** D28/56-62;
132/73-76.5

See application file for complete search history.

(56) **References Cited**

U.S. PATENT DOCUMENTS

156,173	A *	10/1874	Patterson	132/76.4
1,175,388	A *	3/1916	Stout	132/75.6
1,707,879	A *	4/1929	Schwartzman	132/75.6
1,834,706	A *	12/1931	Hershey	132/76.4
D94,030	S *	12/1934	Hults	D28/59
2,026,970	A *	1/1936	Gerow	132/76.4
2,566,688	A *	9/1951	West	132/76.4
D255,607	S *	6/1980	Tate, Jr.	D28/59
D331,643	S *	12/1992	Lunderman et al.	D28/59
D394,129	S *	5/1998	Litton	D28/59

D445,959	S *	7/2001	Ricci	D28/59
D530,453	S *	10/2006	Thomas	D28/59
D544,149	S *	6/2007	Park	D28/59
D597,707	S *	8/2009	Lee	D28/59

* cited by examiner

Primary Examiner — Jennifer Rivard

(74) *Attorney, Agent, or Firm* — Neal O. Willmann

(57) **CLAIM**

The ornamental design for the nail file, as shown and described.

DESCRIPTION

FIG. 1 is a perspective view of a nail file showing my new design;

FIG. 2 is a left edge elevation view thereof;

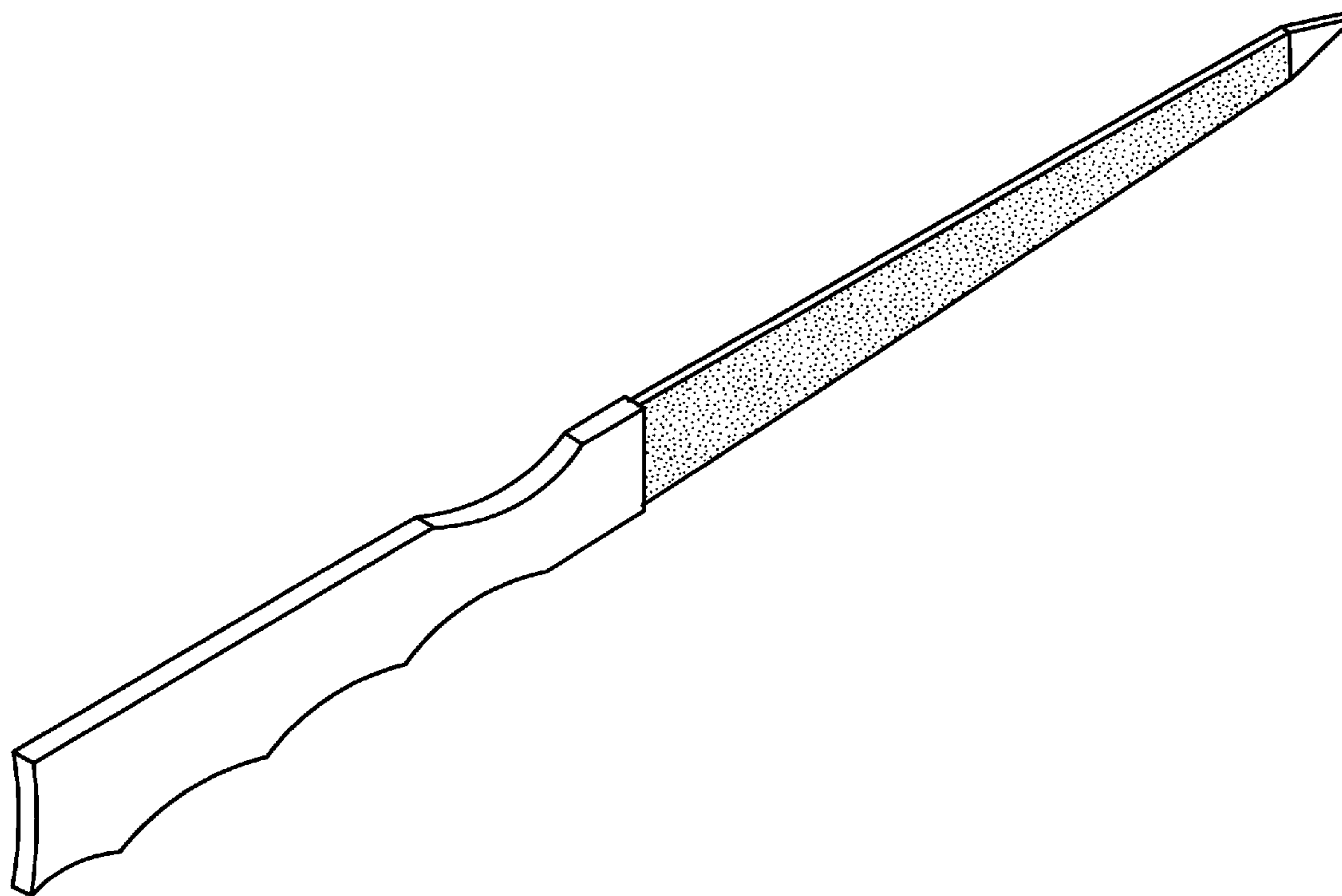
FIG. 3 is a top plan view thereof, the bottom plan view being a mirror image thereof;

FIG. 4 is a right edge elevation view thereof;

FIG. 5 is a back end elevation view thereof, enlarged for clarity; and,

FIG. 6 is a front end elevation view thereof, enlarged for clarity.

1 Claim, 2 Drawing Sheets



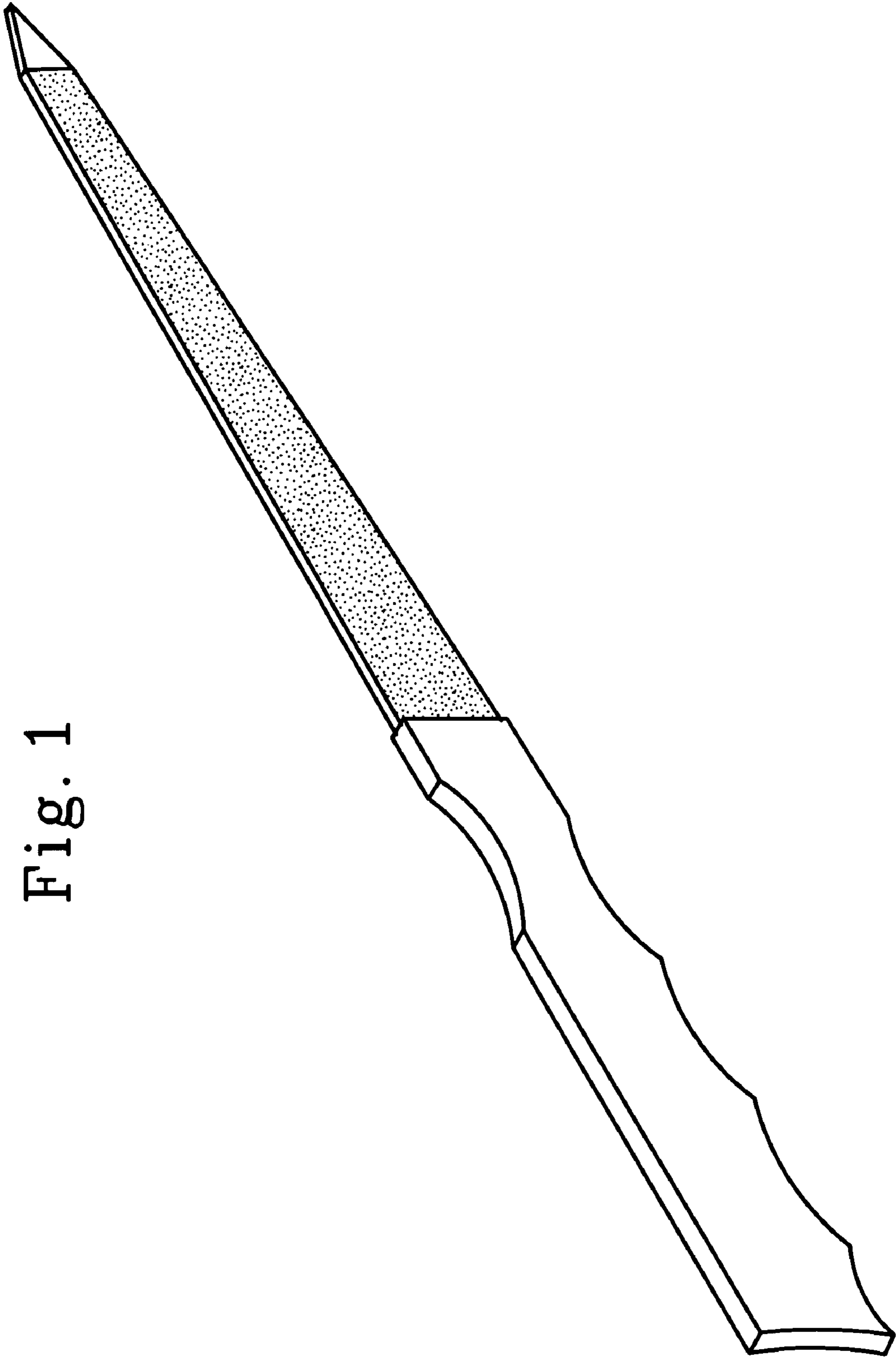


Fig. 1

Fig. 2



Fig. 3

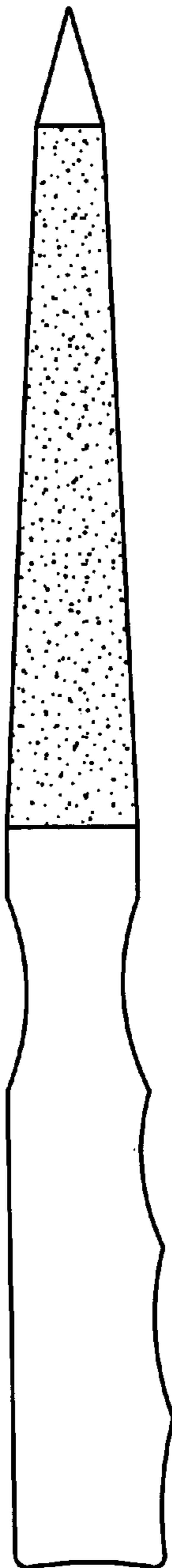


Fig. 4



Fig. 5

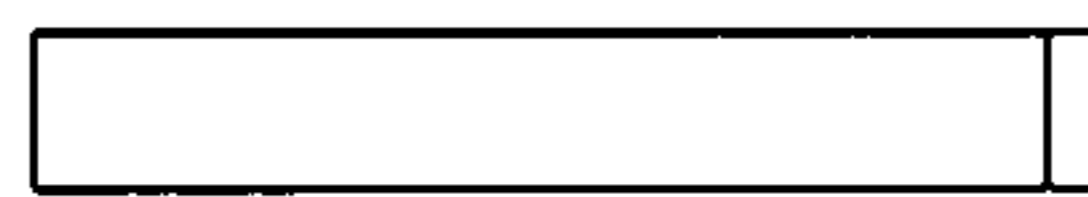


Fig. 6

