

US00D655860S

(12) **United States Design Patent**
Choi et al.

(10) **Patent No.:** **US D655,860 S**
(45) **Date of Patent:** **** Mar. 13, 2012**

(54) **LED LAMP**

(75) Inventors: **Tae Young Choi**, Seoul (KR); **Kyung Il Kong**, Seoul (KR); **Han Gyoul Kim**, Seoul (KR); **Hwa Young Kim**, Seoul (KR); **Seok Jin Kang**, Seoul (KR)

(73) Assignee: **LG Innotek Co., Ltd.**, Seoul (KR)

(**) Term: **14 Years**

(21) Appl. No.: **29/360,119**

(22) Filed: **Apr. 20, 2010**

(30) **Foreign Application Priority Data**

Oct. 20, 2009 (KR) 30-2009-0046256
Apr. 7, 2010 (KR) 30-2010-0015152

(51) **LOC (9) Cl.** **26-99**

(52) **U.S. Cl.** **D26/138**

(58) **Field of Classification Search** D26/2,
D26/118, 120, 129, 138, 63, 65, 128, 154,
D26/28, 119, 155, 142, 121, 122, 152, 123,
D26/124, 153, 130, 141, 92, 87, 93, 85, 145;
D11/89, 90, 91, 92; 273/153 S, 160; 362/223,
362/544, 240, 545; D9/529; D21/478, 479;
D34/1; D7/509, 586; D13/134, 179, 180
See application file for complete search history.

(56) **References Cited**

U.S. PATENT DOCUMENTS

3,538,321 A * 11/1970 Keller et al. 362/289
4,023,035 A * 5/1977 Rodriguez 250/239
4,503,360 A * 3/1985 Bedel 315/112

6,155,701 A * 12/2000 Leen 362/432
6,994,457 B2 * 2/2006 Lee 362/366
7,111,963 B2 * 9/2006 Zhang 362/294
7,220,024 B1 * 5/2007 Berends 362/217.08
7,244,051 B2 * 7/2007 Bewig et al. 362/345
D585,588 S * 1/2009 Alexander et al. D26/118
D591,894 S * 5/2009 Flank D26/74
2007/0091597 A1 * 4/2007 Wang et al. 362/231
2007/0279862 A1 * 12/2007 Li 361/692
2009/0237891 A1 * 9/2009 Liu et al. 361/714

* cited by examiner

Primary Examiner — Kevin Rudzinski

(74) *Attorney, Agent, or Firm* — McKenna Long & Aldridge LLP

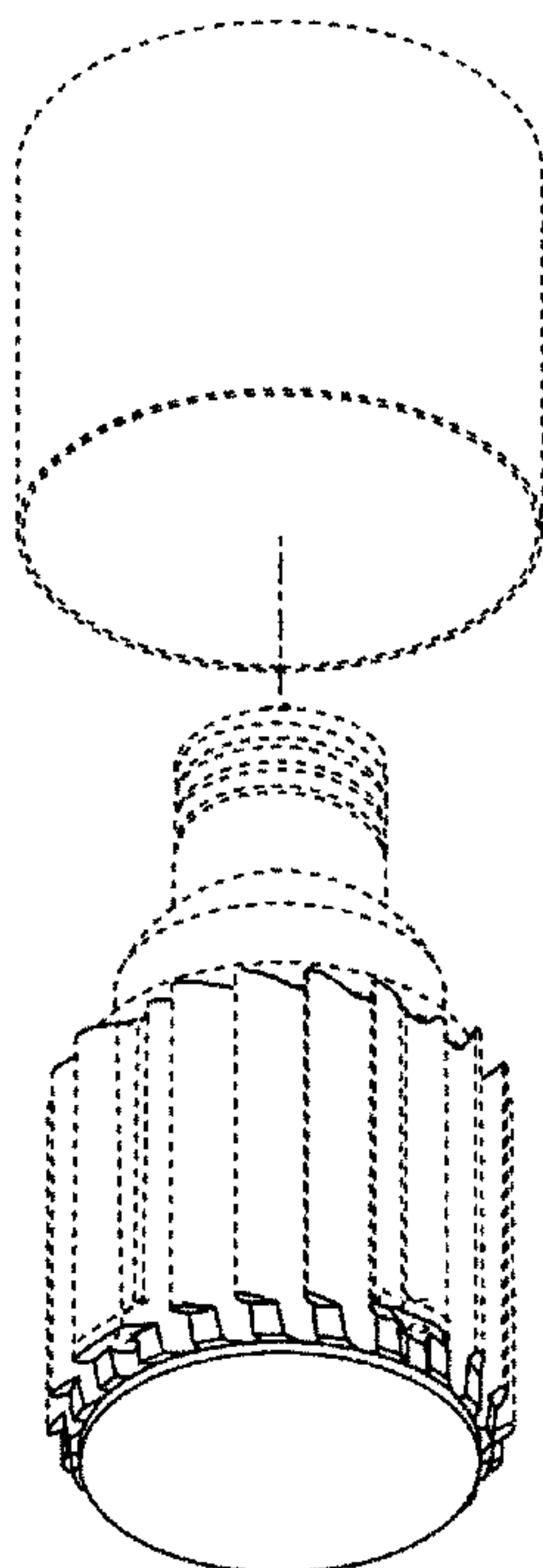
(57) **CLAIM**

The ornamental design for an LED lamp, as shown and described.

DESCRIPTION

FIG. 1 is a top front perspective view of an LED lamp showing my new design;
FIG. 2 is a front elevational view thereof;
FIG. 3 is a rear elevational view thereof;
FIG. 4 is a left side elevational view thereof;
FIG. 5 is a right side elevational view thereof;
FIG. 6 is a top plan view thereof;
FIG. 7 is a bottom plan view thereof;
FIG. 8 is a bottom front perspective view thereof; and,
FIG. 9 is an exploded view thereof.
The broken line showing of FIGS. 1-9 is for the purpose of illustrating environmental structure and forms no part of the claimed design.

1 Claim, 8 Drawing Sheets



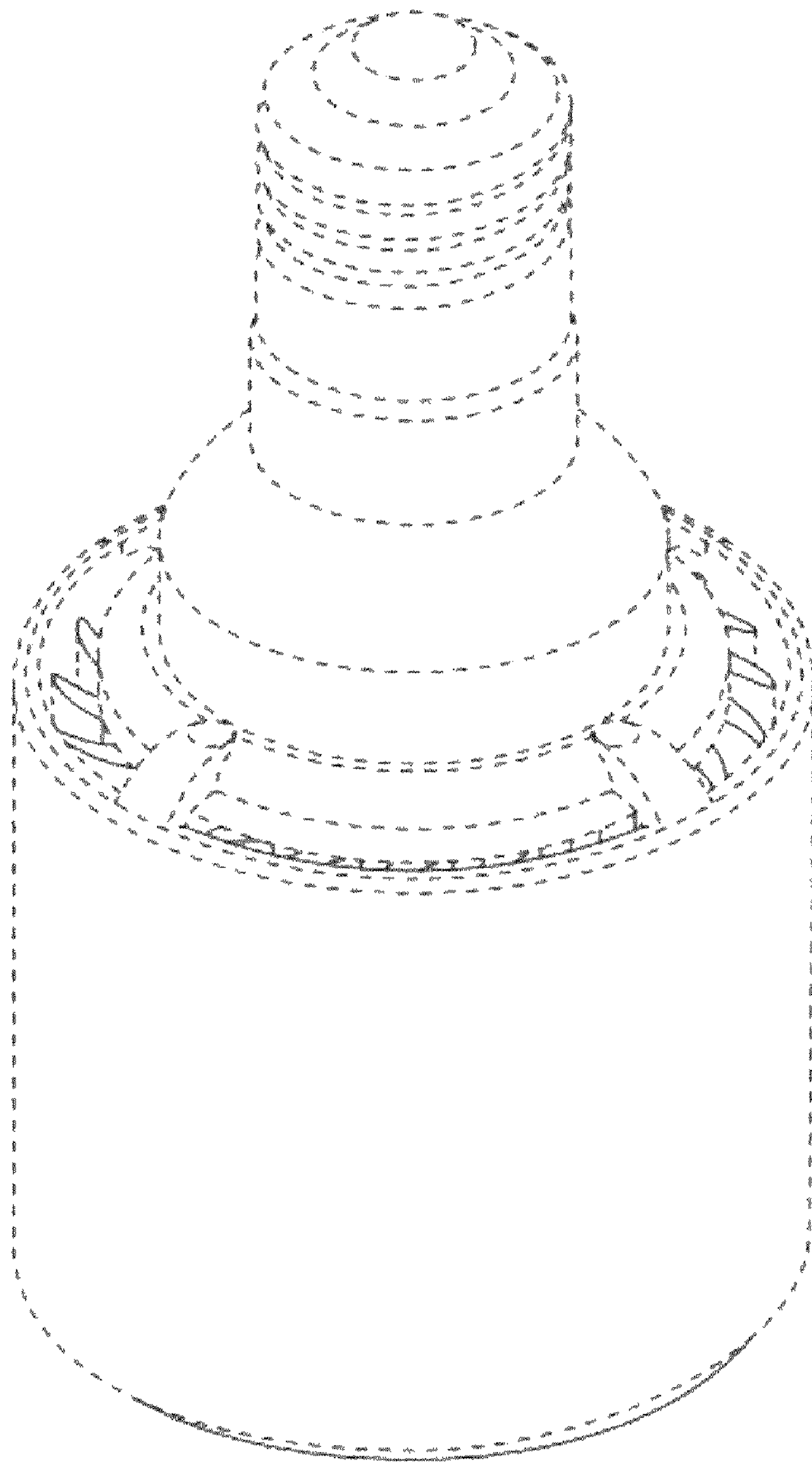


FIG. 1

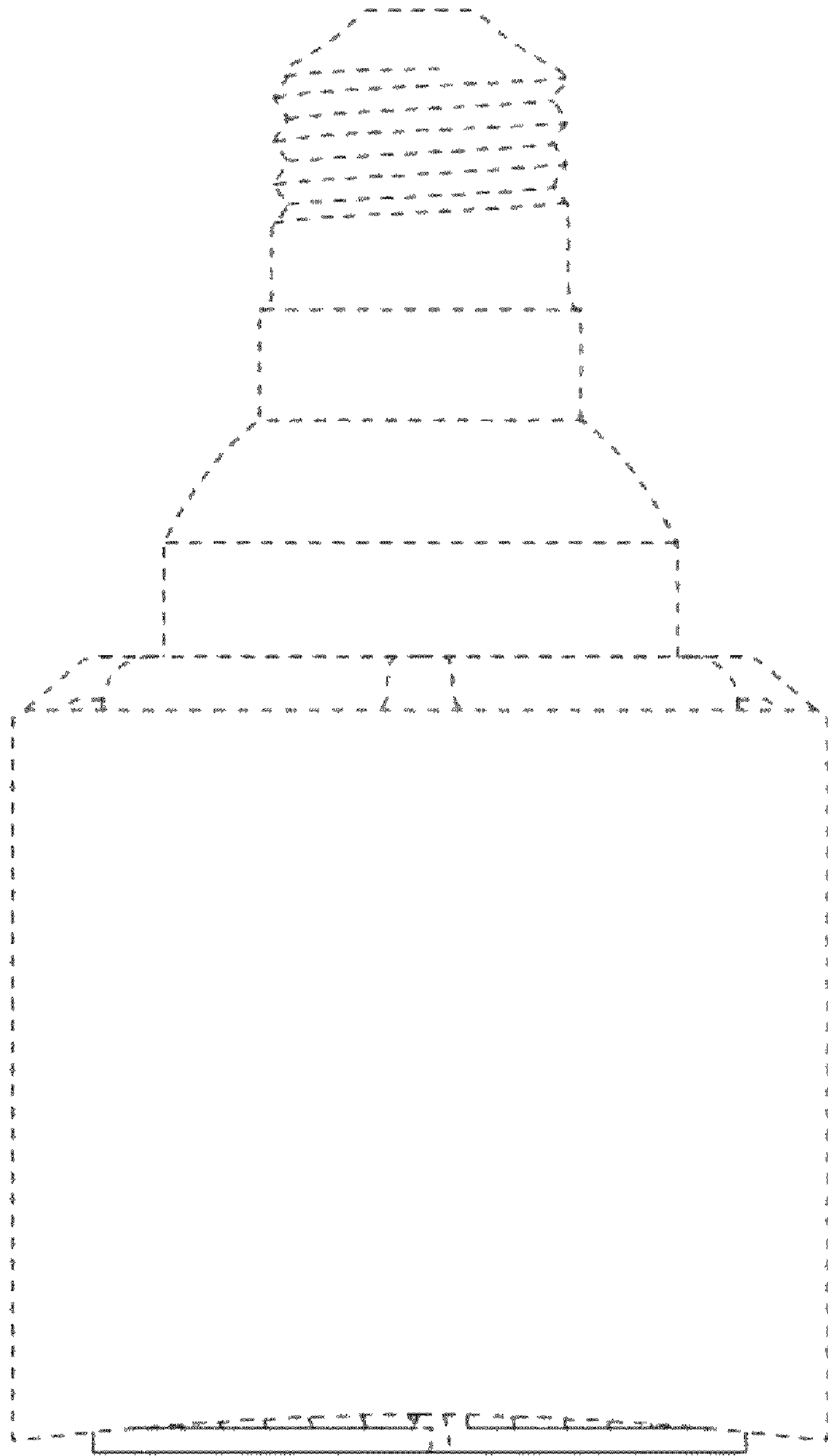


FIG. 2

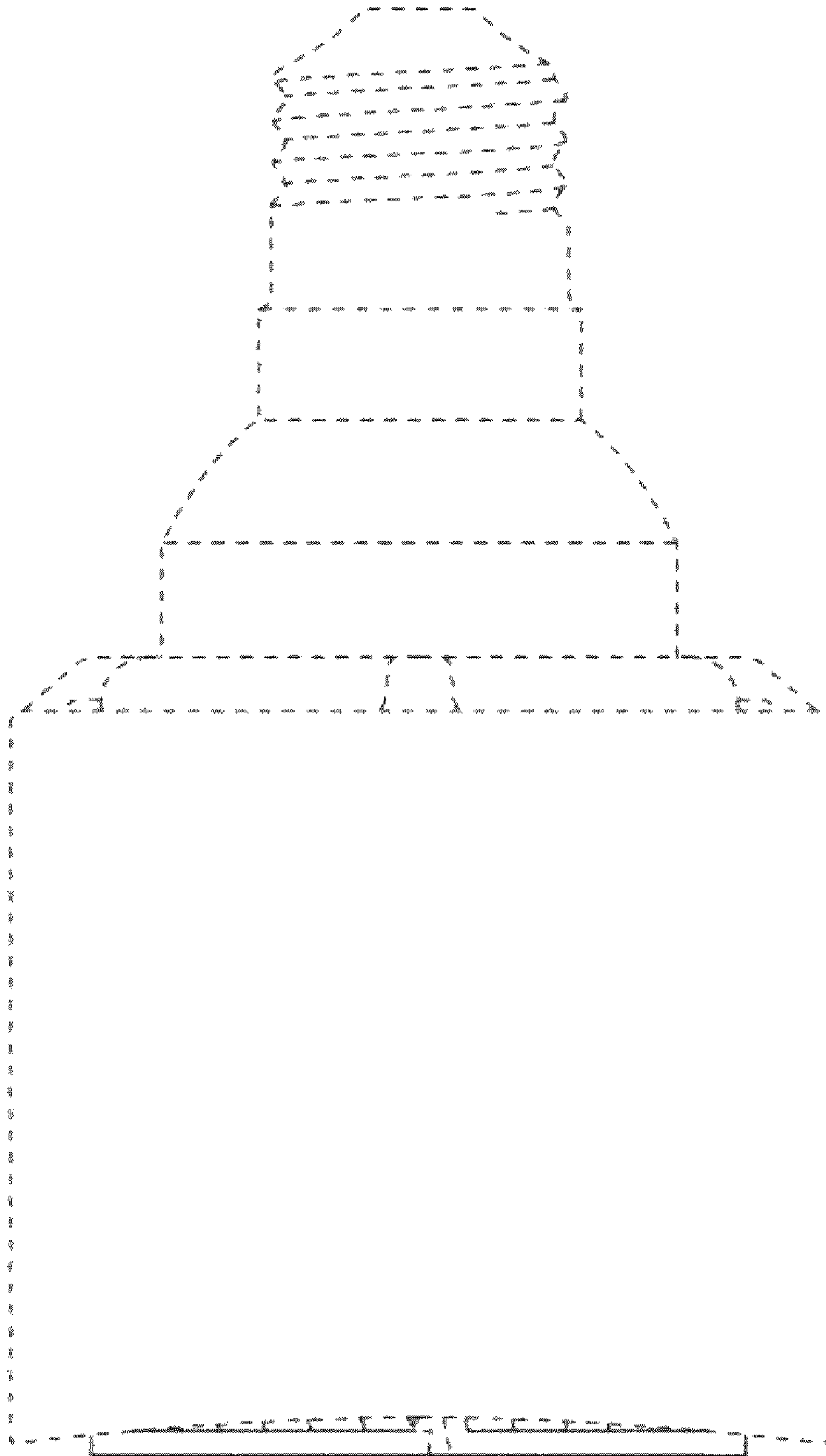


FIG. 3

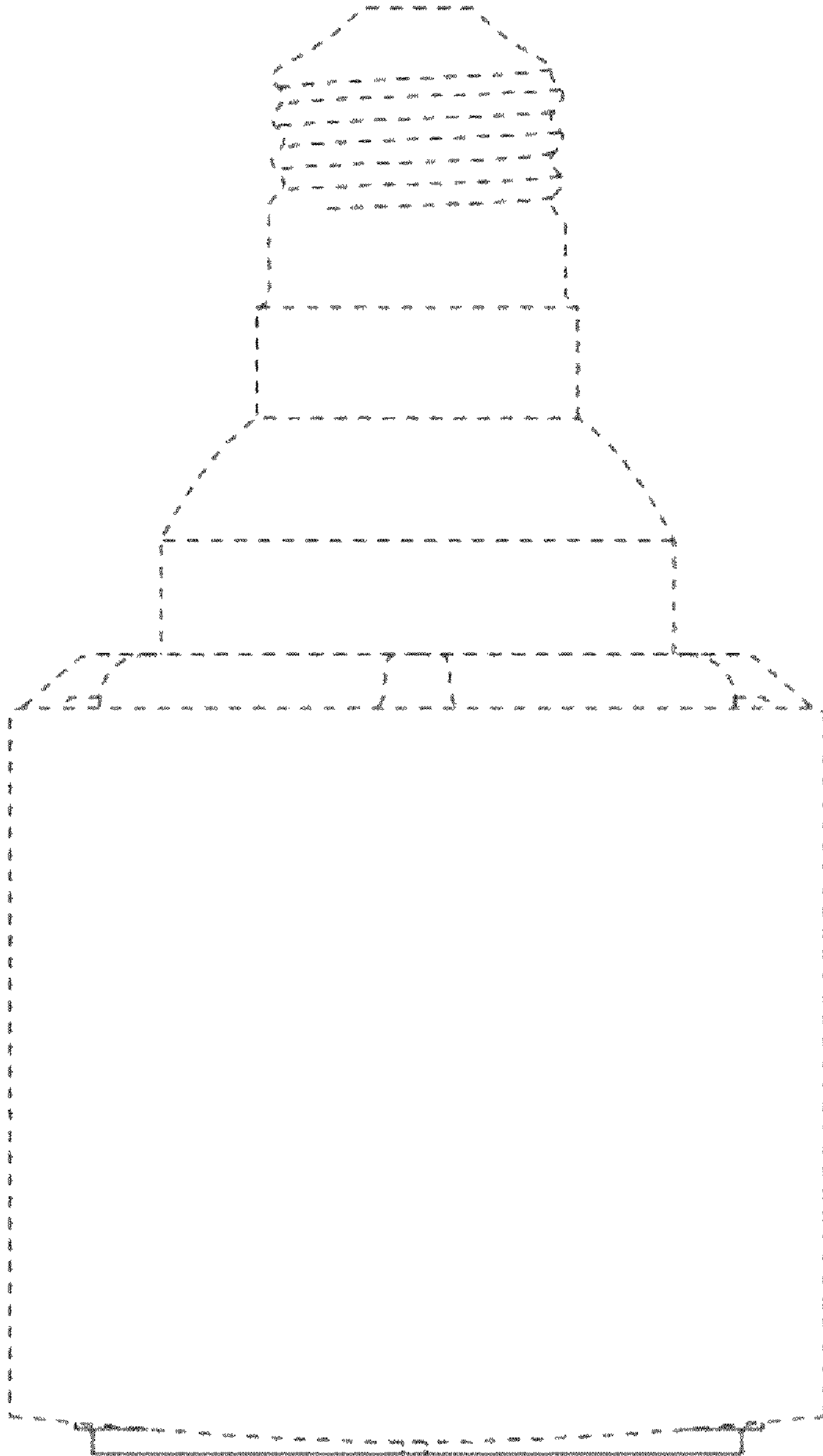


FIG. 4

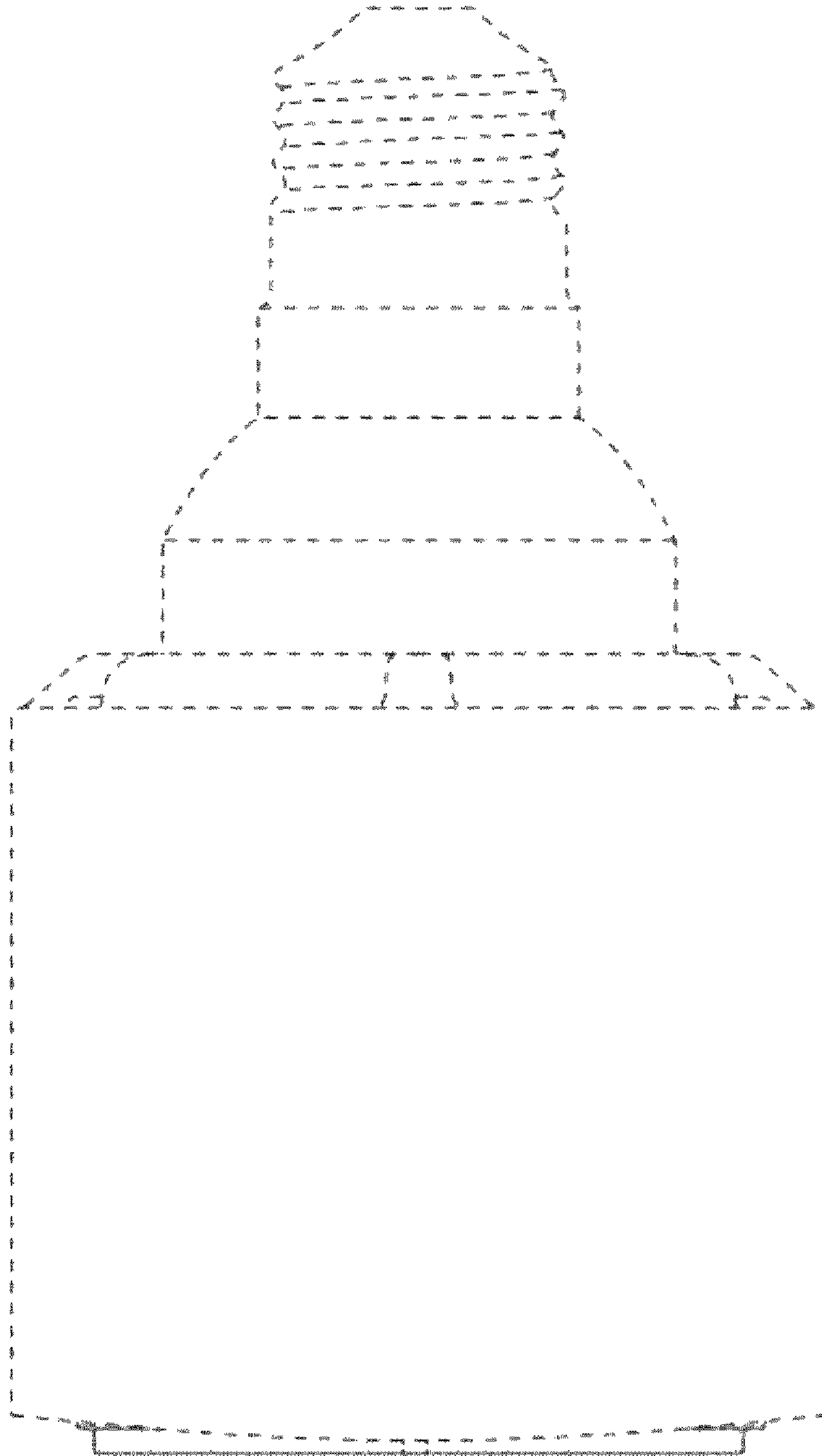


FIG. 5

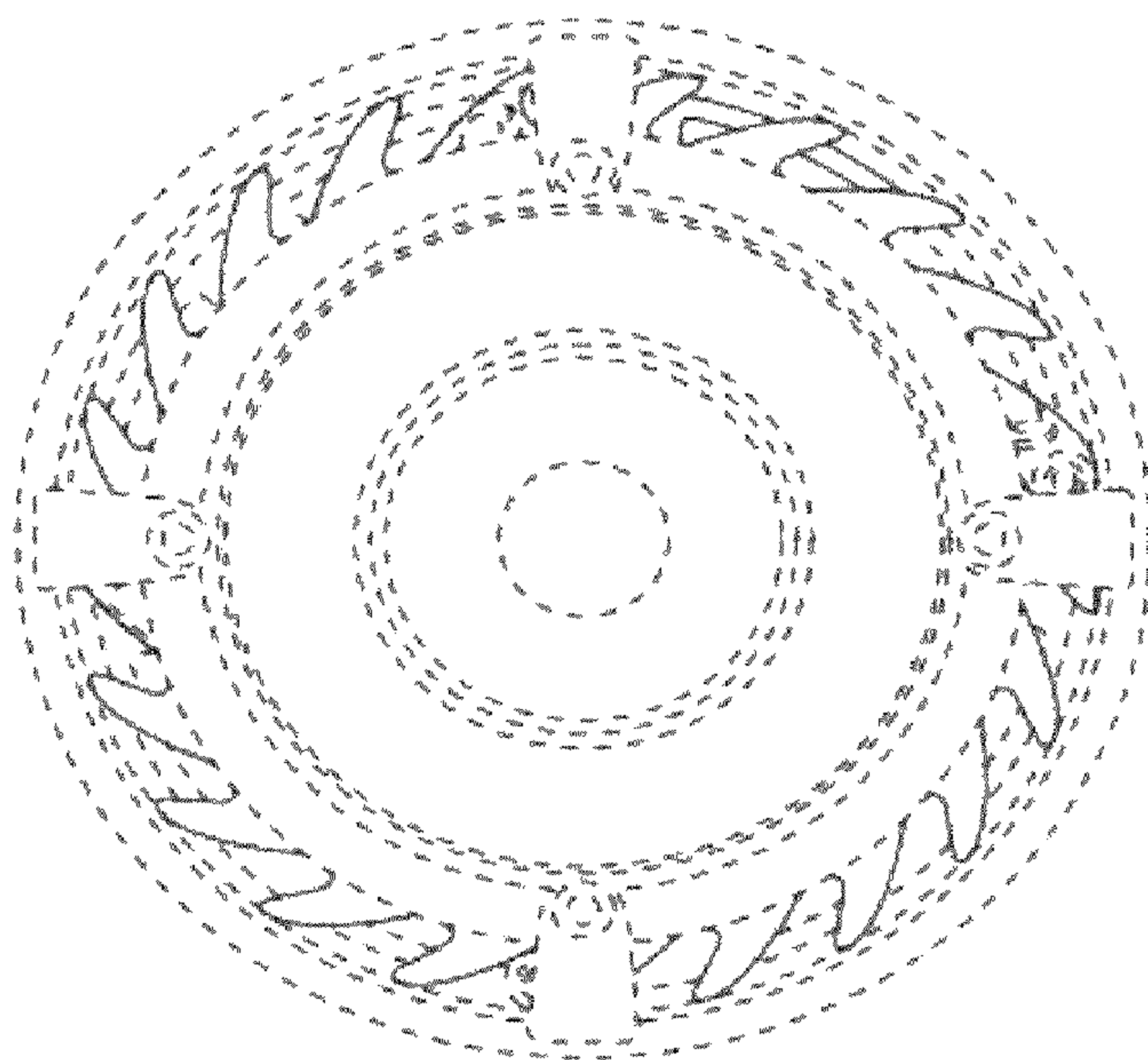


FIG. 6

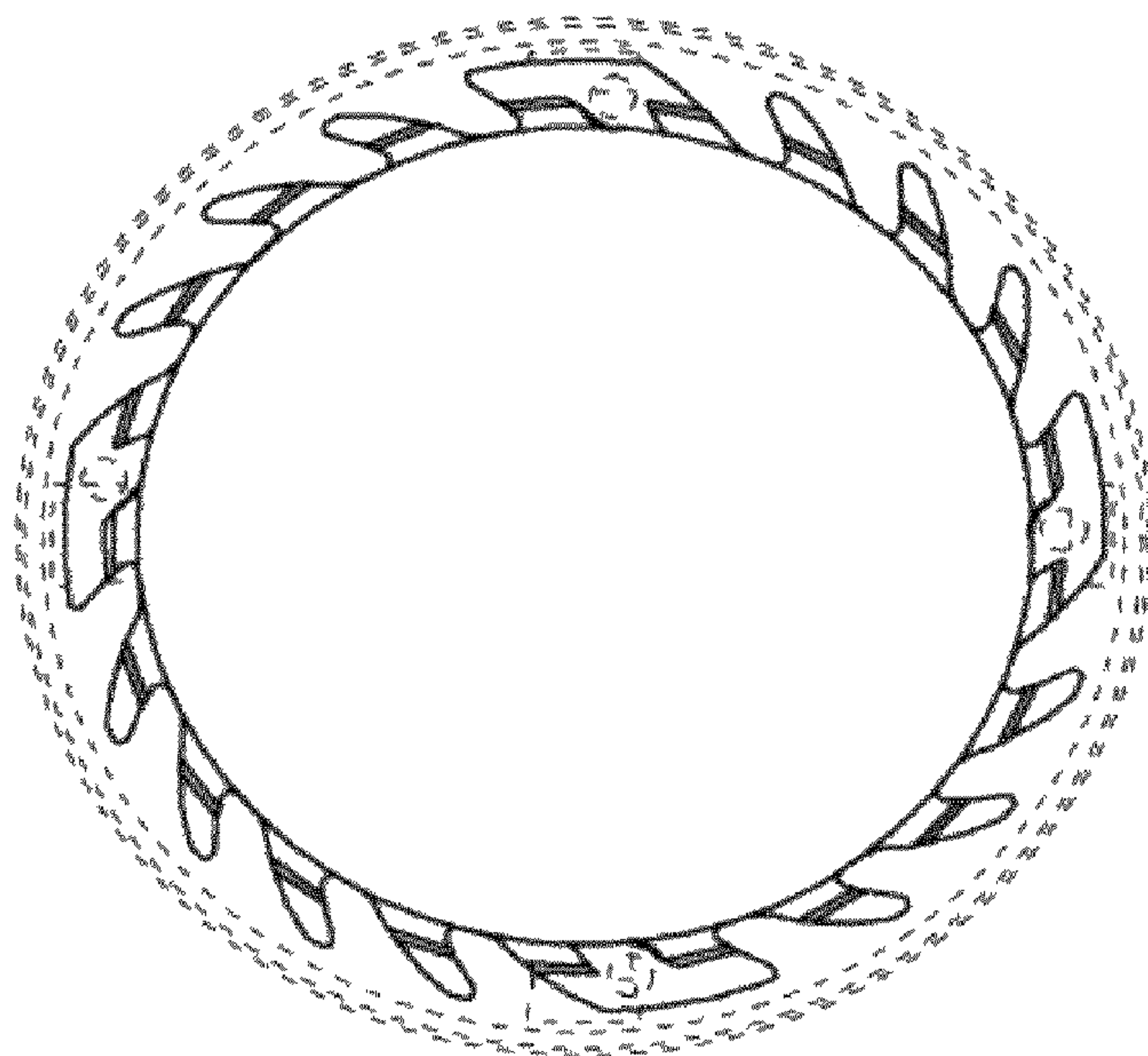


FIG. 7

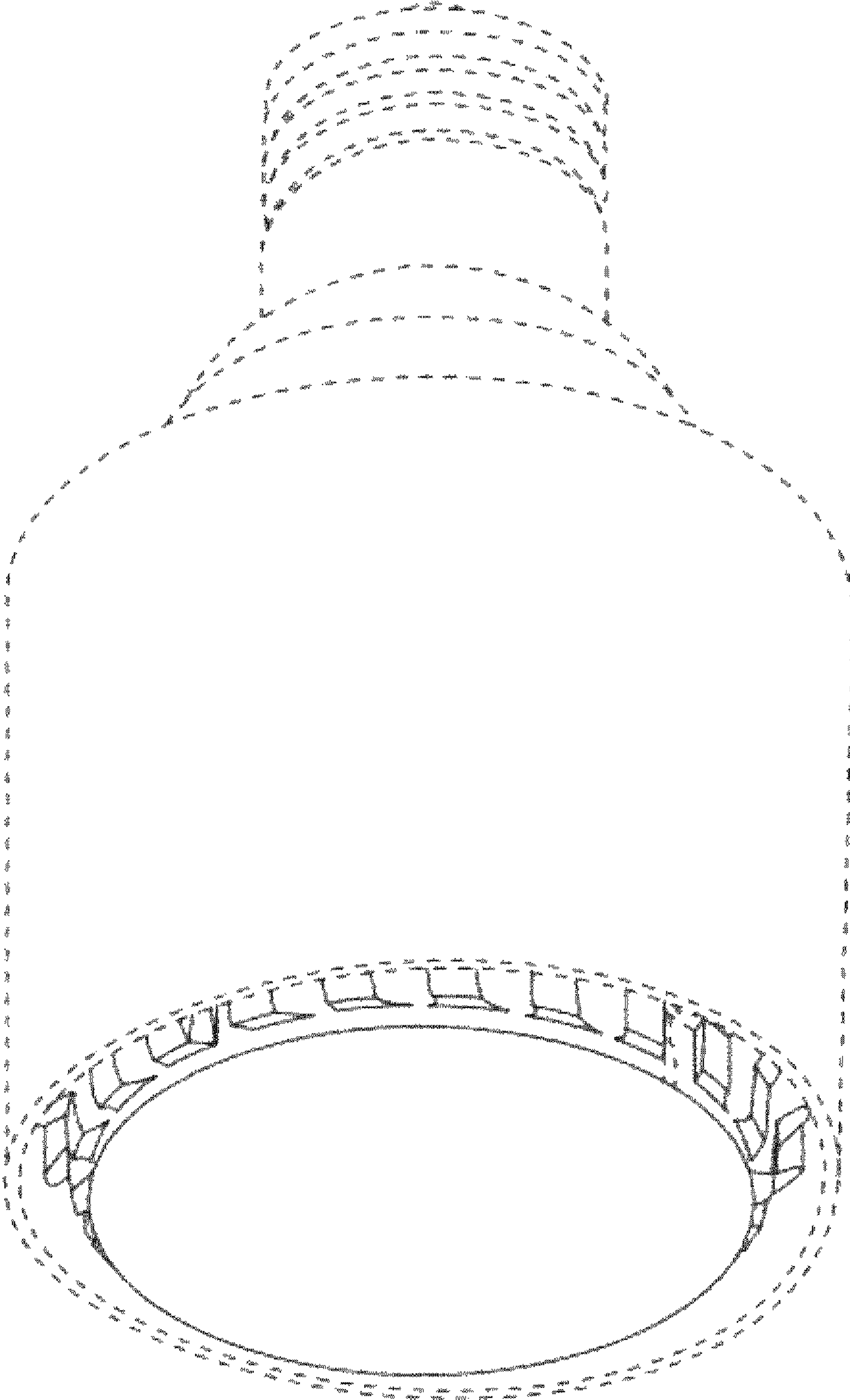


FIG. 8

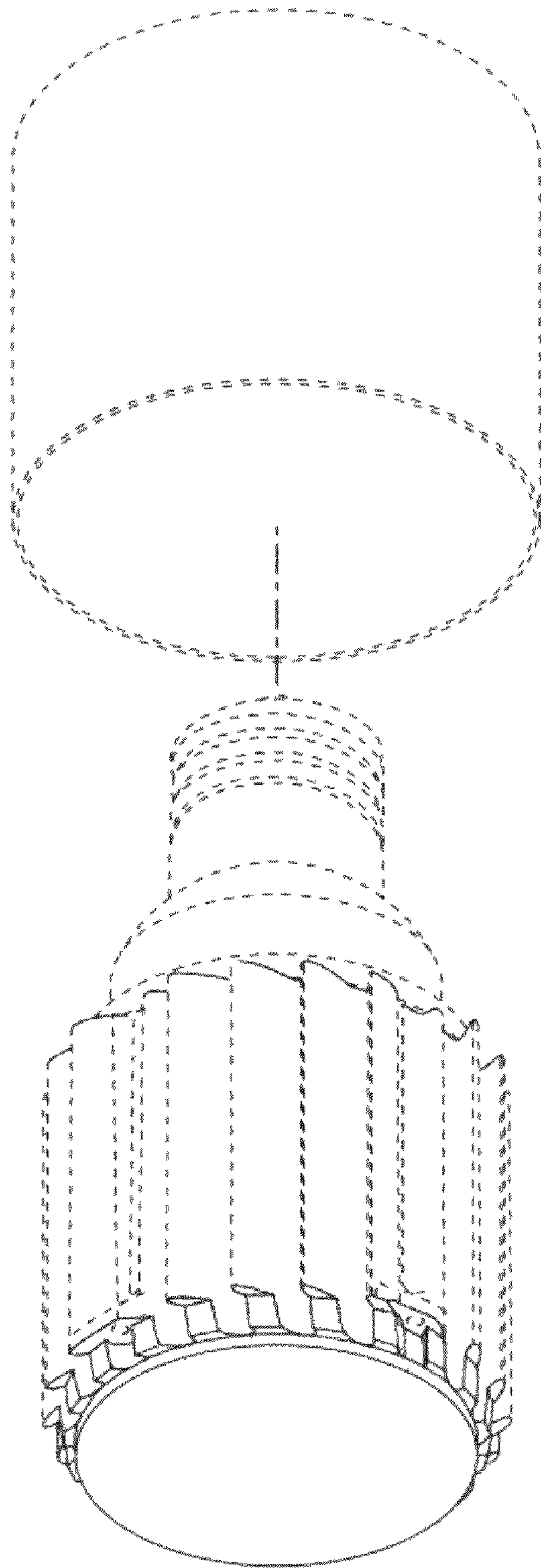


FIG. 9