



US00D655856S

(12) **United States Design Patent**
Burks

(10) **Patent No.:** **US D655,856 S**
(45) **Date of Patent:** **** Mar. 13, 2012**

(54) **LIGHT FIXTURE**

(75) Inventor: **Stephen G. Burks**, New York, NY (US)

(73) Assignee: **Schonbek Worldwide Lighting Inc.**,
Plattsburgh, NY (US)

(**) Term: **14 Years**

(21) Appl. No.: **29/389,264**

(22) Filed: **Apr. 8, 2011**

(51) **LOC (9) Cl.** **26-05**

(52) **U.S. Cl.** **D26/90**

(58) **Field of Classification Search** D26/80-92,
D26/144, 128; 362/147, 404-408

See application file for complete search history.

(56) **References Cited**

U.S. PATENT DOCUMENTS

D51,865 S *	3/1918	McKinnie	D26/88
D66,762 S *	3/1925	Bennici	D26/128
D70,599 S *	7/1926	Dawes	D20/10
D242,943 S *	1/1977	Lazerson	D26/88
D346,239 S *	4/1994	Vamberszky et al.	D26/118
D465,872 S *	11/2002	Cacaci	D26/90
D468,475 S *	1/2003	De Lucchi	D26/90
D469,562 S *	1/2003	Crasset	D26/90

D566,320 S *	4/2008	Kim	D26/88
D593,704 S *	6/2009	Lovegrove	D26/90
D606,233 S *	12/2009	Benghozi	D26/88

OTHER PUBLICATIONS

Jan. 2010 edition of "Elle Decoration", p. 137.

* cited by examiner

Primary Examiner — Clare E Heflin

(74) *Attorney, Agent, or Firm* — Heslin Rothenberg Farley & Mesiti P.C.

(57) **CLAIM**

The ornamental design for a light fixture, as shown and described.

DESCRIPTION

FIG. 1 is a perspective view of the light fixture of the present design;

FIG. 2 is a front elevation view thereof;

FIG. 3 is a right-side elevation view thereof;

FIG. 4 is a rear elevation view thereof;

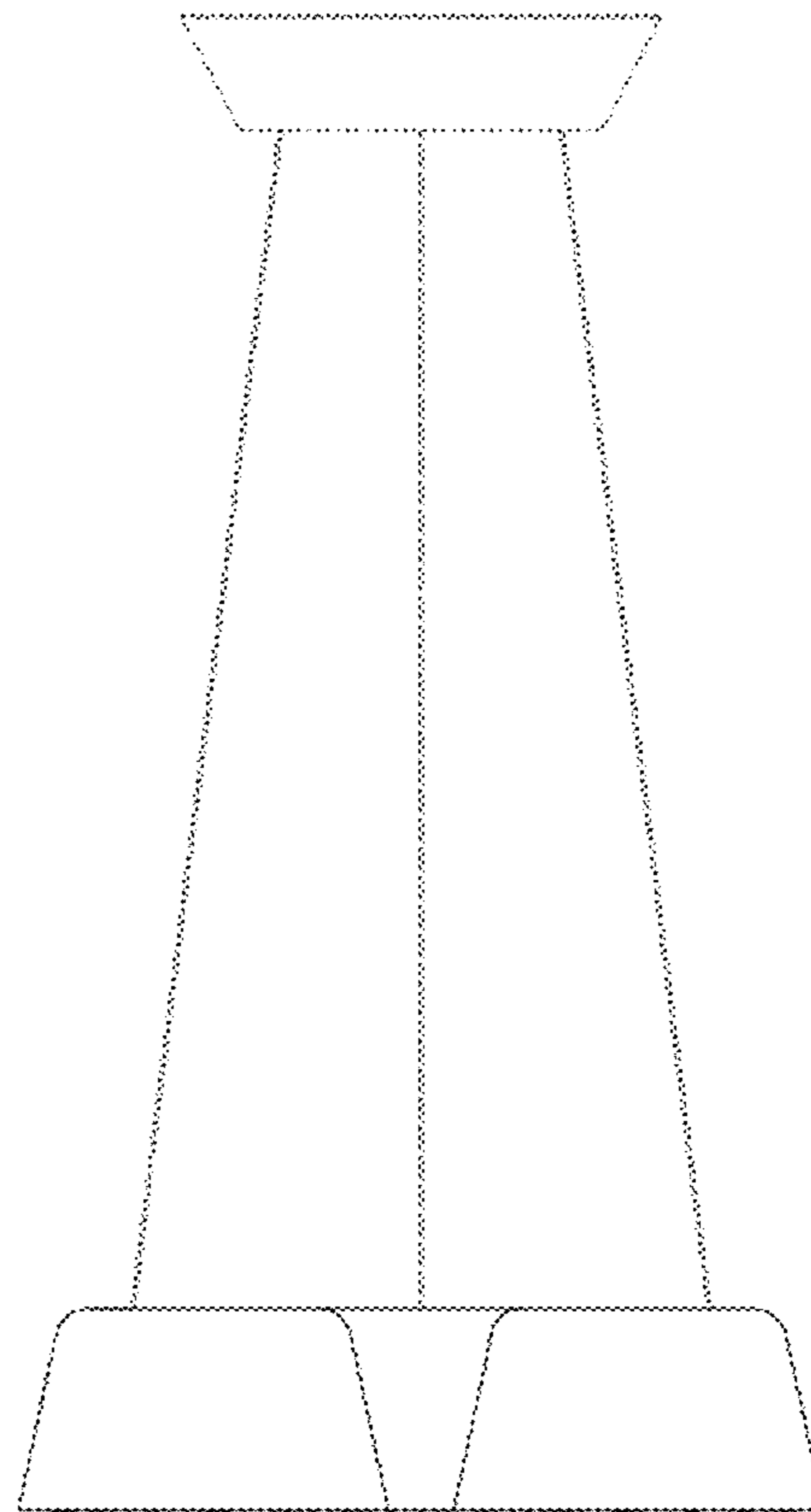
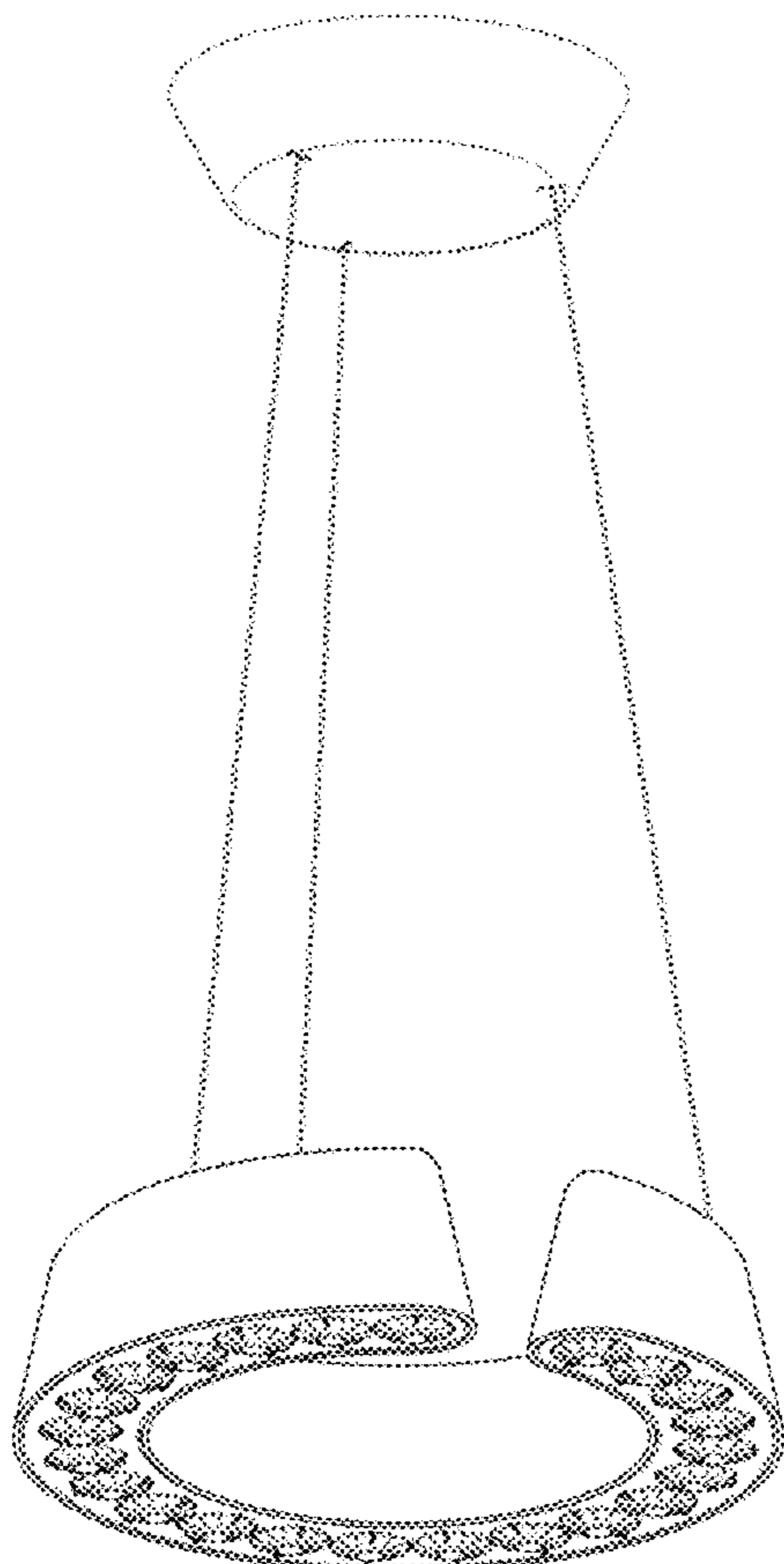
FIG. 5 is a left-side elevation view thereof;

FIG. 6 is a top plan view thereof; and,

FIG. 7 is a bottom plan view thereof.

The broken lines in the figures are for illustrative purposes only and form no part of the claimed invention.

1 Claim, 7 Drawing Sheets



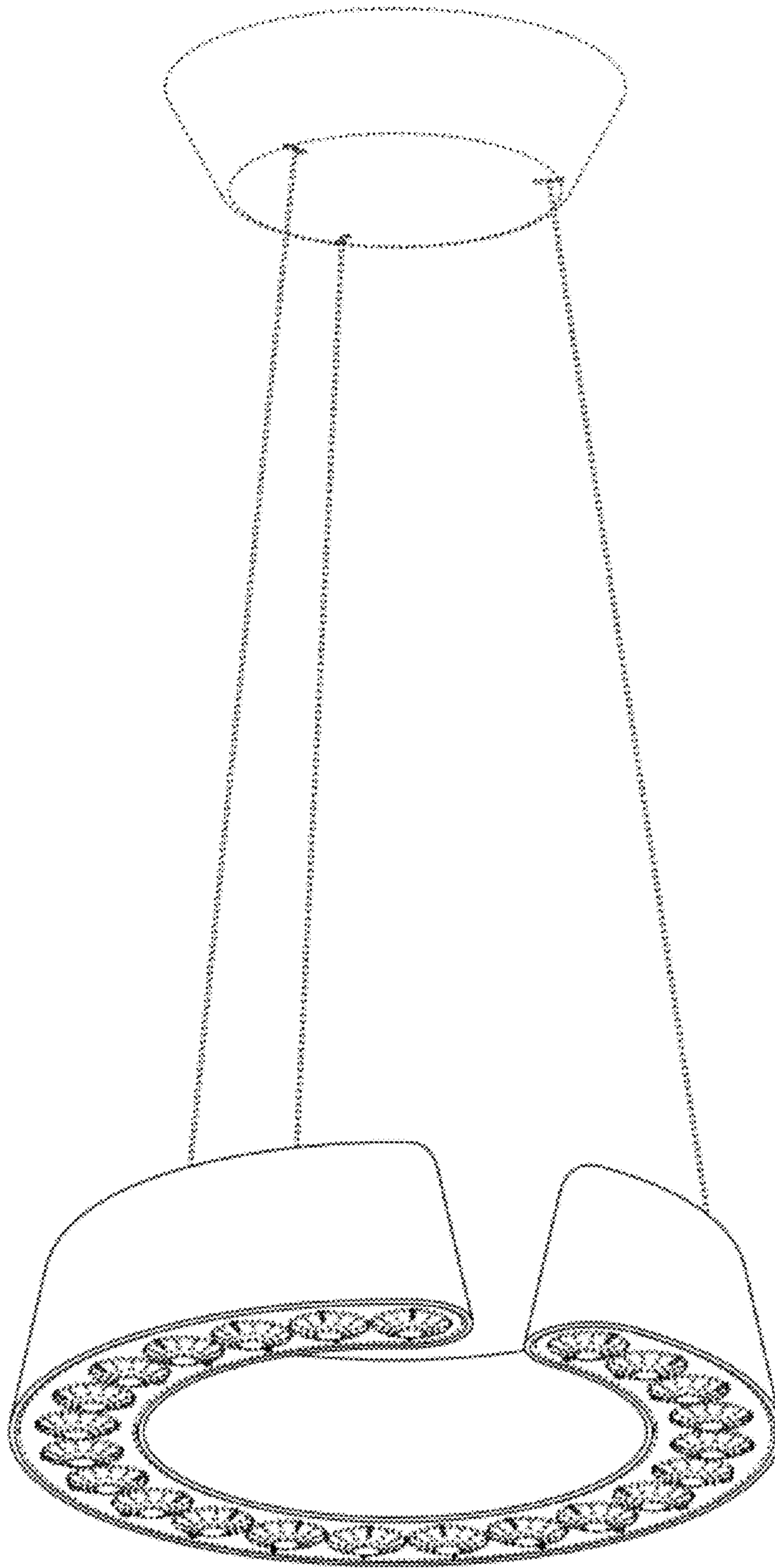


FIG. 1

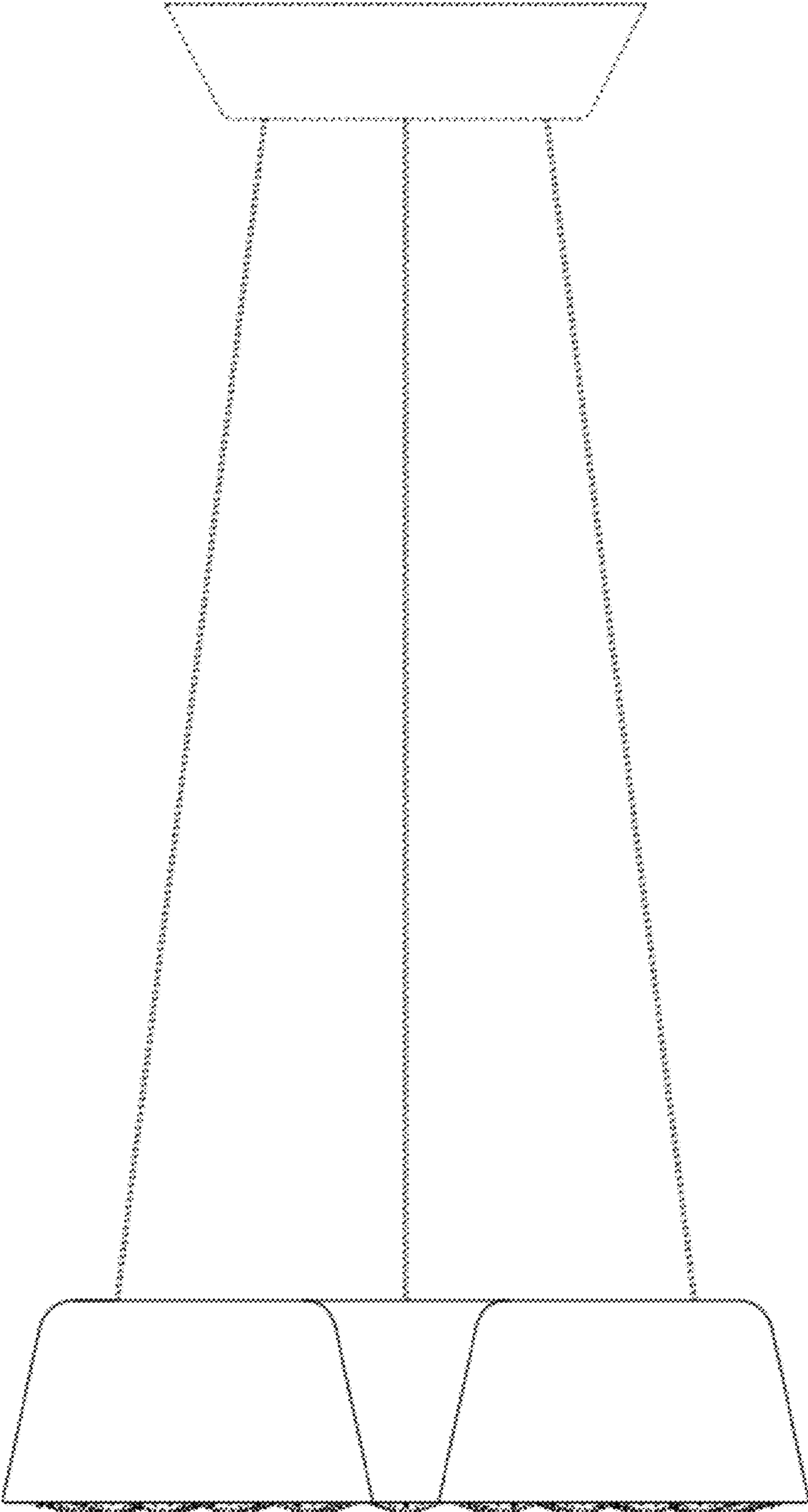


FIG. 2

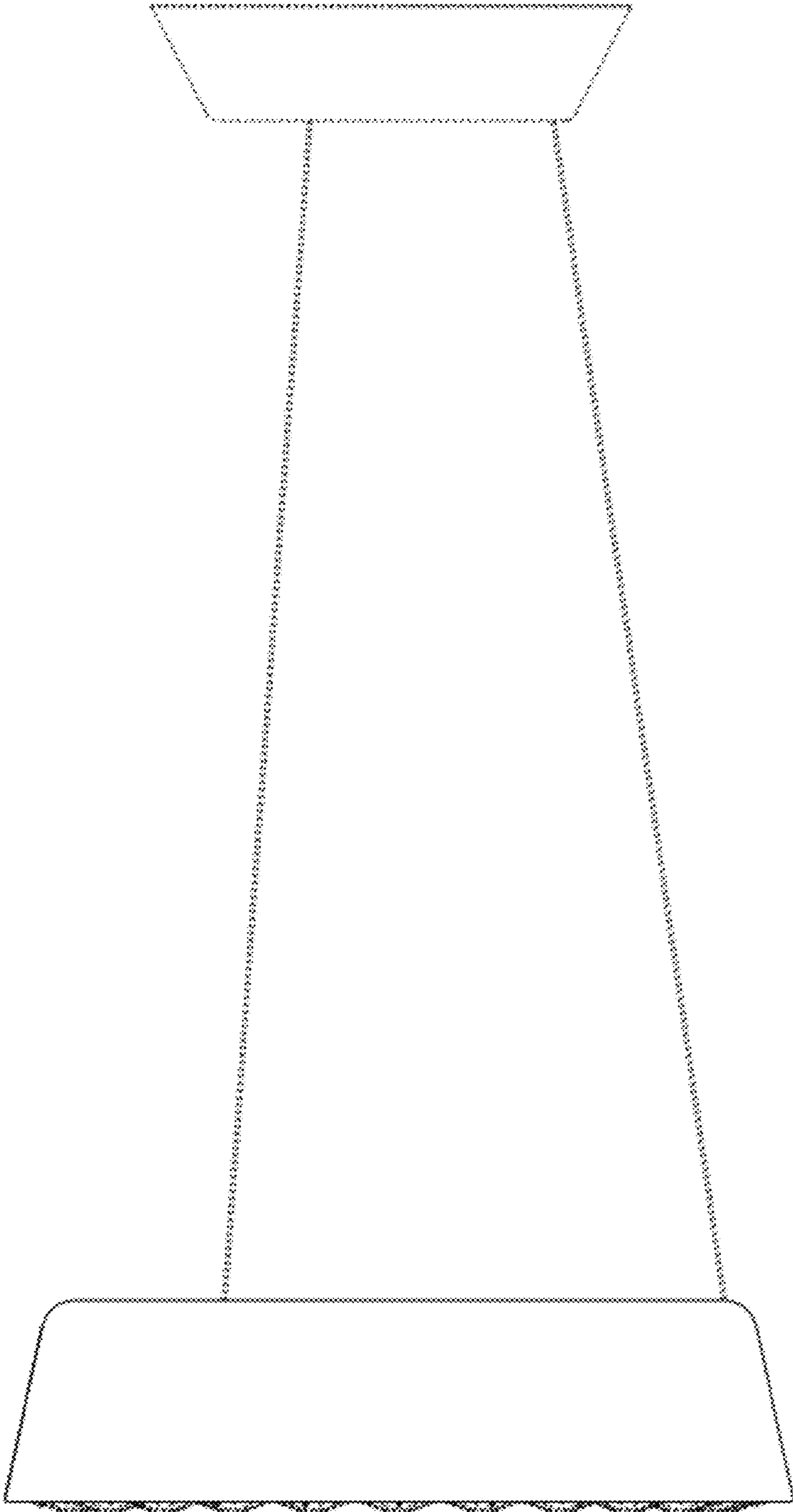


FIG. 3

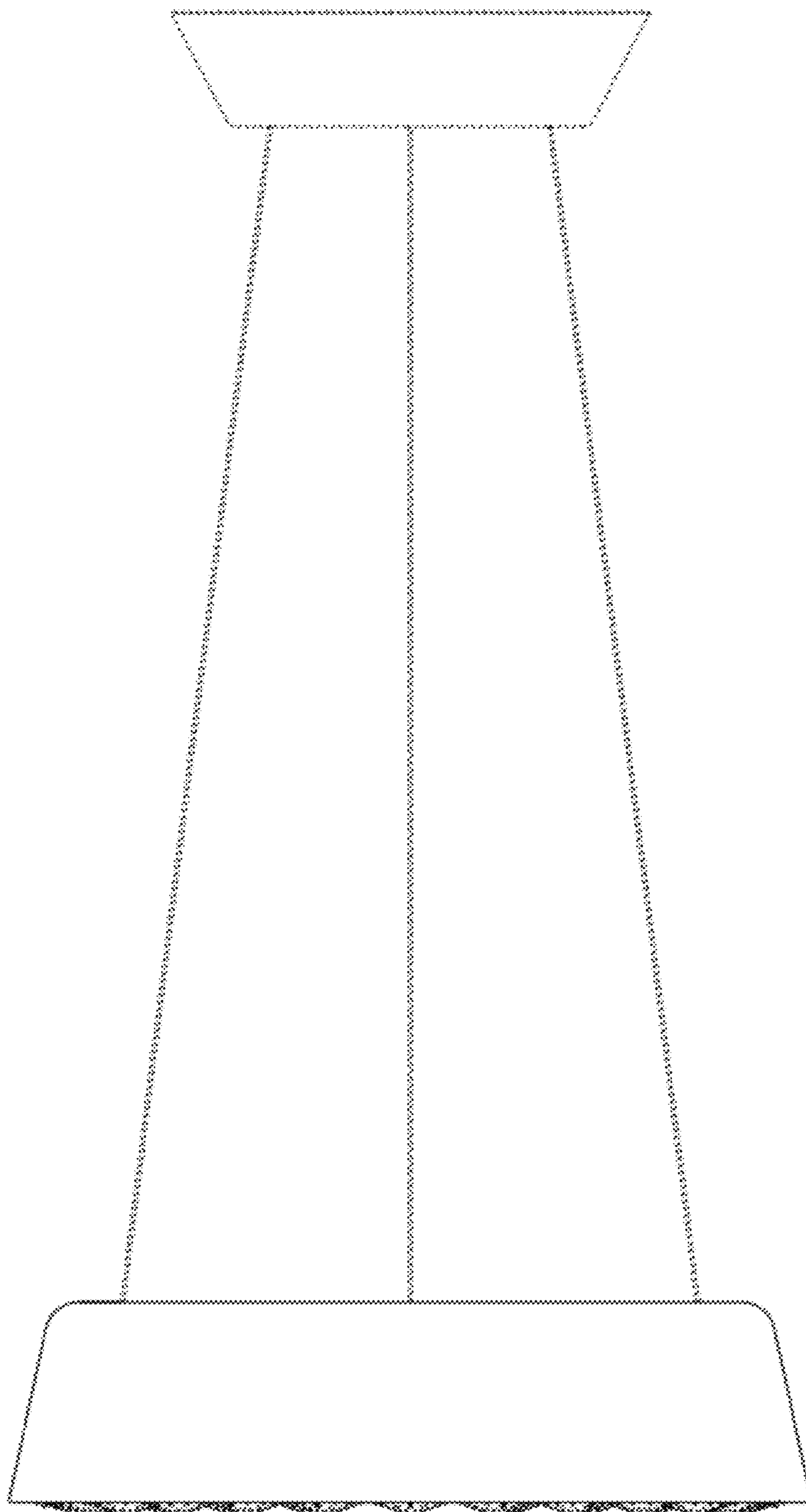


FIG. 4

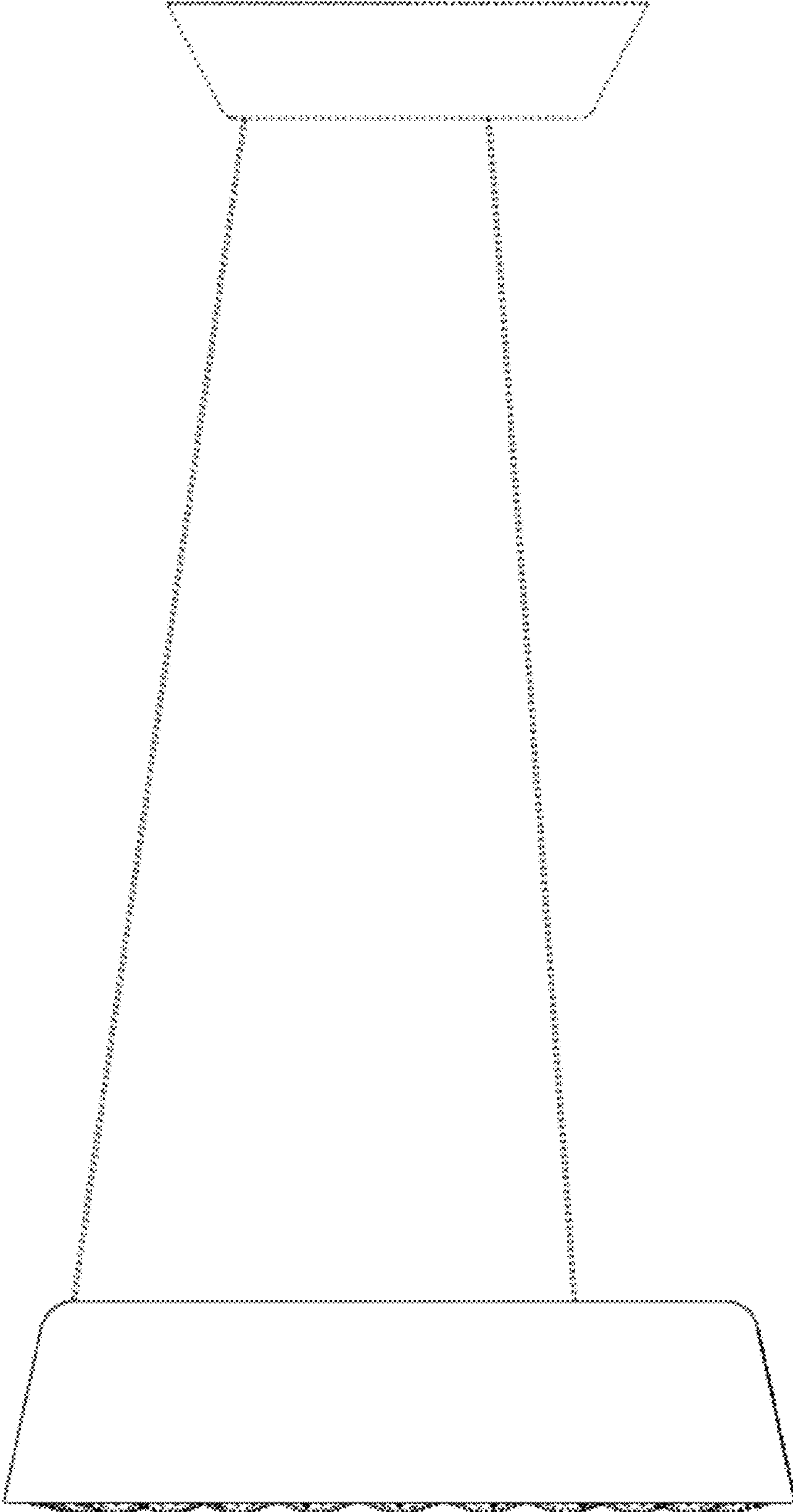


FIG. 5

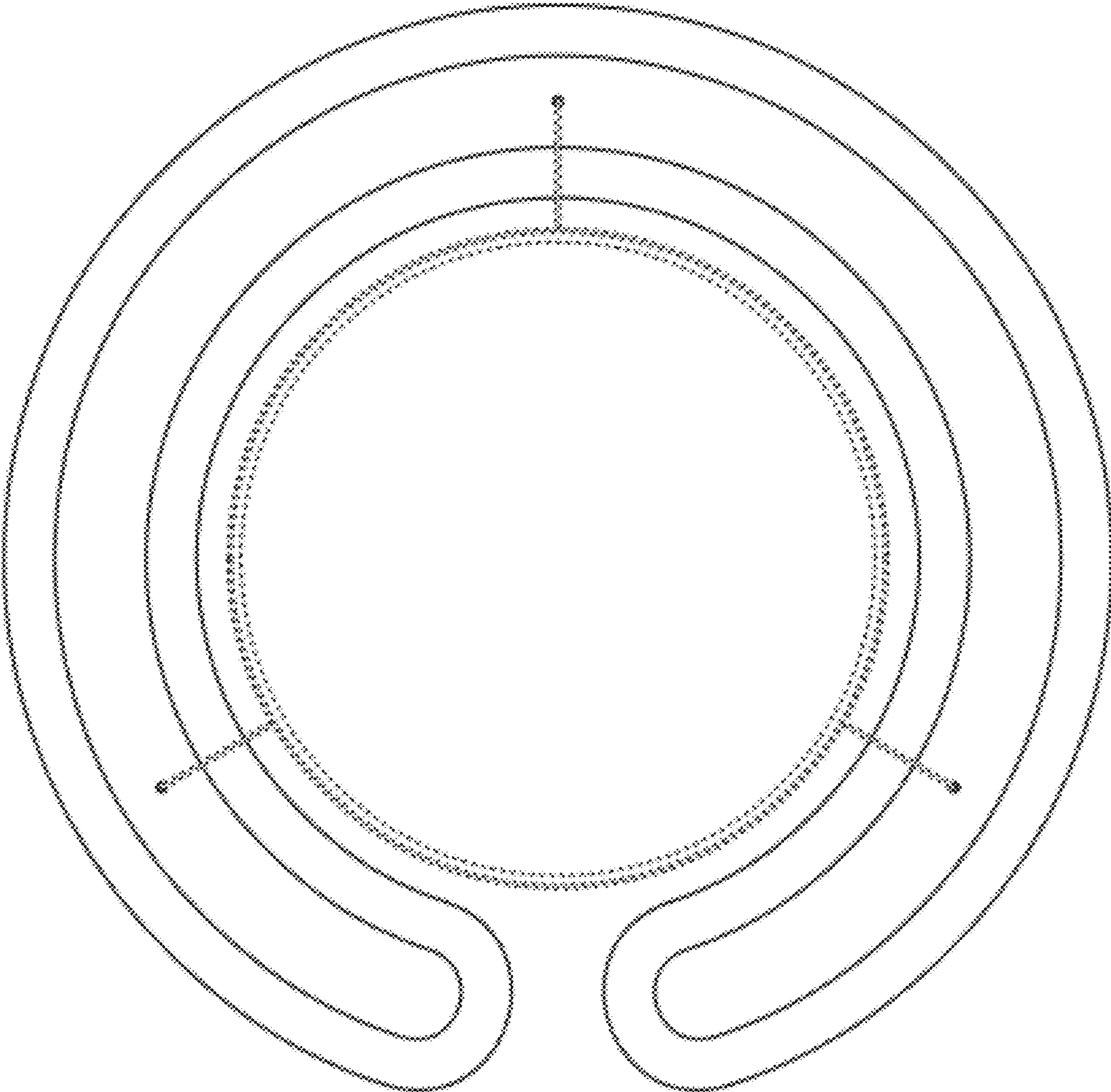


FIG. 6

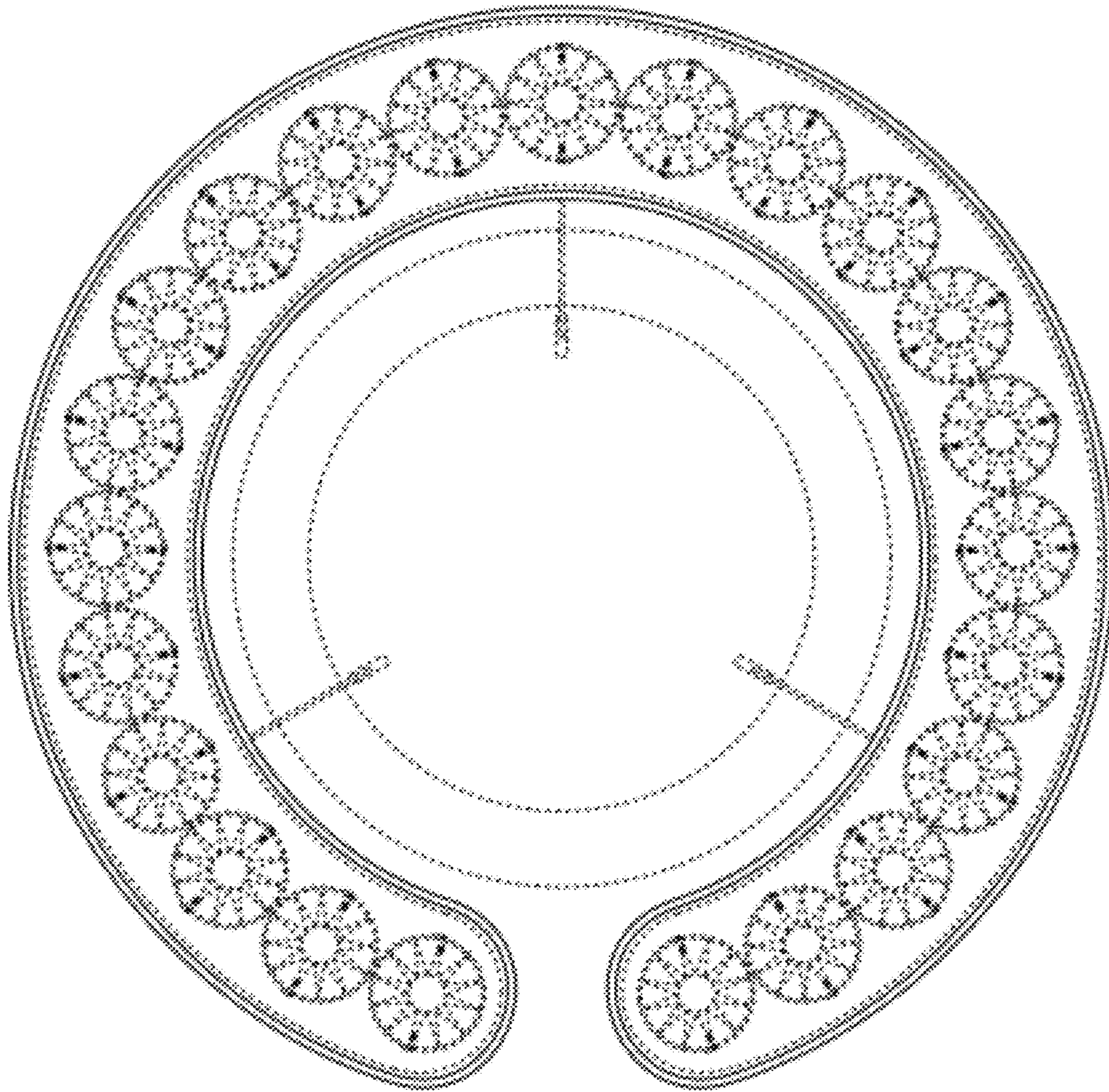


FIG. 7