



US00D655855S

(12) **United States Design Patent**
Sabernig

(10) **Patent No.:** **US D655,855 S**
(45) **Date of Patent:** **** Mar. 13, 2012**

(54) **LIGHT FIXTURE**

(75) Inventor: **Robert Sabernig**, Munster (AT)

(73) Assignee: **EGLO Leuchten GmbH**, Innsbruck (AT)

(**) Term: **14 Years**

(21) Appl. No.: **29/389,075**

(22) Filed: **Apr. 6, 2011**

(51) **LOC (9) Cl.** **26-03**

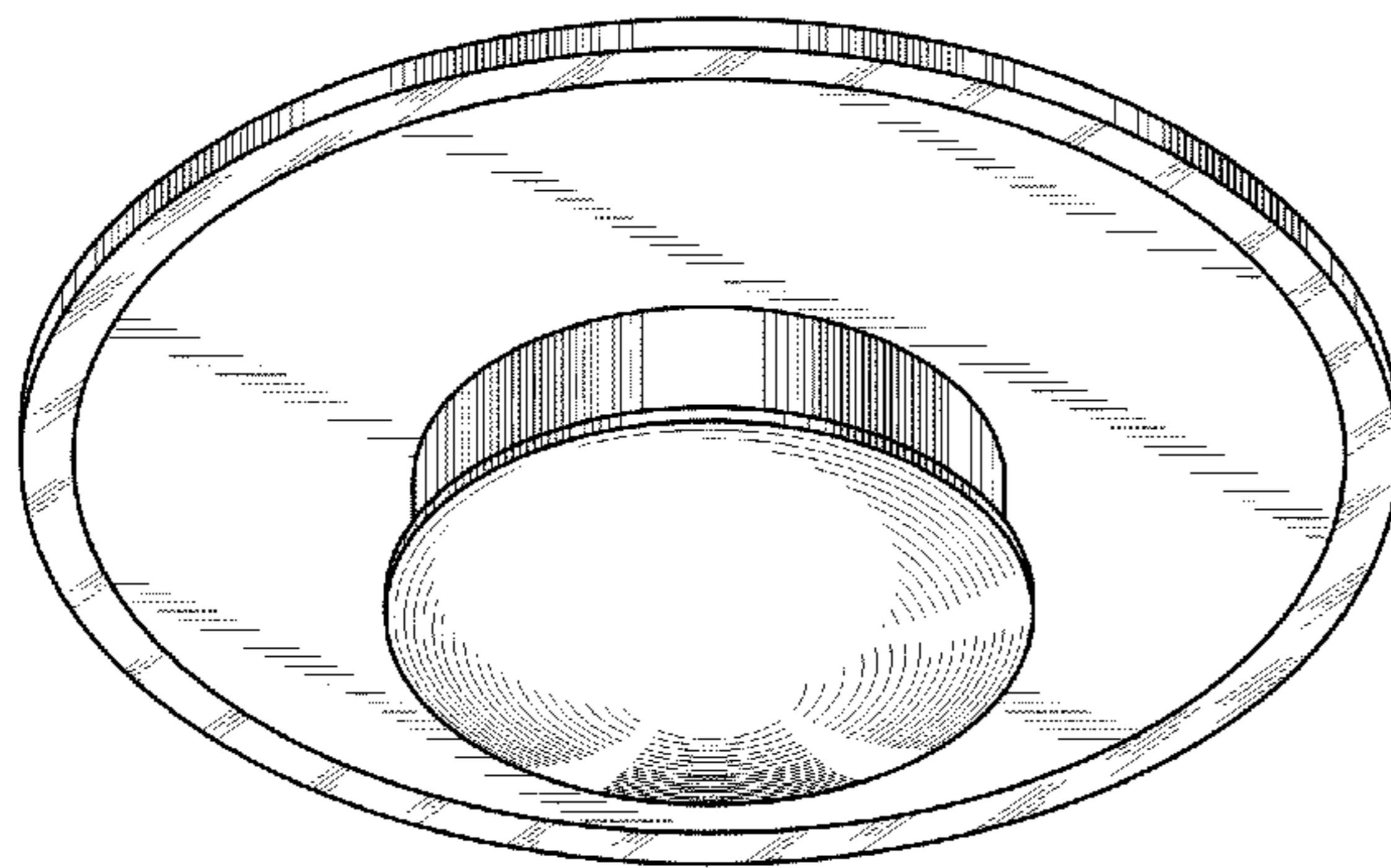
(52) **U.S. Cl.** **D26/89**

(58) **Field of Classification Search** D26/72,
D26/79, 80, 83, 85, 86, 88, 89, 91, 120, 134–136;
362/147, 294, 351, 356, 453–457, 432
See application file for complete search history.

(56) **References Cited**

U.S. PATENT DOCUMENTS

D107,877	S	*	1/1938	Levy	D26/89
2,255,431	A	*	9/1941	Marden et al.	362/253
D213,464	S	*	3/1969	Meyer	D26/89
D349,778	S	*	8/1994	Johnson et al.	D26/86
D511,020	S	*	10/2005	Egawa et al.	D26/89
D596,336	S	*	7/2009	Sabernig	D26/88
D601,744	S	*	10/2009	Sakuma	D26/89
D633,644	S	*	3/2011	Sprengers	D26/89
D639,496	S	*	6/2011	Wada et al.	D26/120
D640,823	S	*	6/2011	Hokazono et al.	D26/89
D641,517	S	*	7/2011	Sprengers	D26/89



OTHER PUBLICATIONS

Sonneman “Flange” 15" polished nickel ceiling light fixture. Found at eurostylelighting.com visited Aug. 5, 2010.*

Sonneman “Orion” semi-flushmount 30" ceiling light fixture. Found at eurostylelighting.com visited Aug. 5, 2010.*

“Slide” wall or ceiling wet location 4½" wide light fixture. Found at eurostylelighting.com visited Aug. 5, 2010.*

“Disk” collection Energy Star® 10½" wide ceiling light. Found at eurostylelighting.com visited Aug. 5, 2010.*

* cited by examiner

Primary Examiner — Clare E Heflin

(74) *Attorney, Agent, or Firm* — Baker & McKenzie LLP

(57) **CLAIM**

The ornamental design for a light fixture, as shown and described.

DESCRIPTION

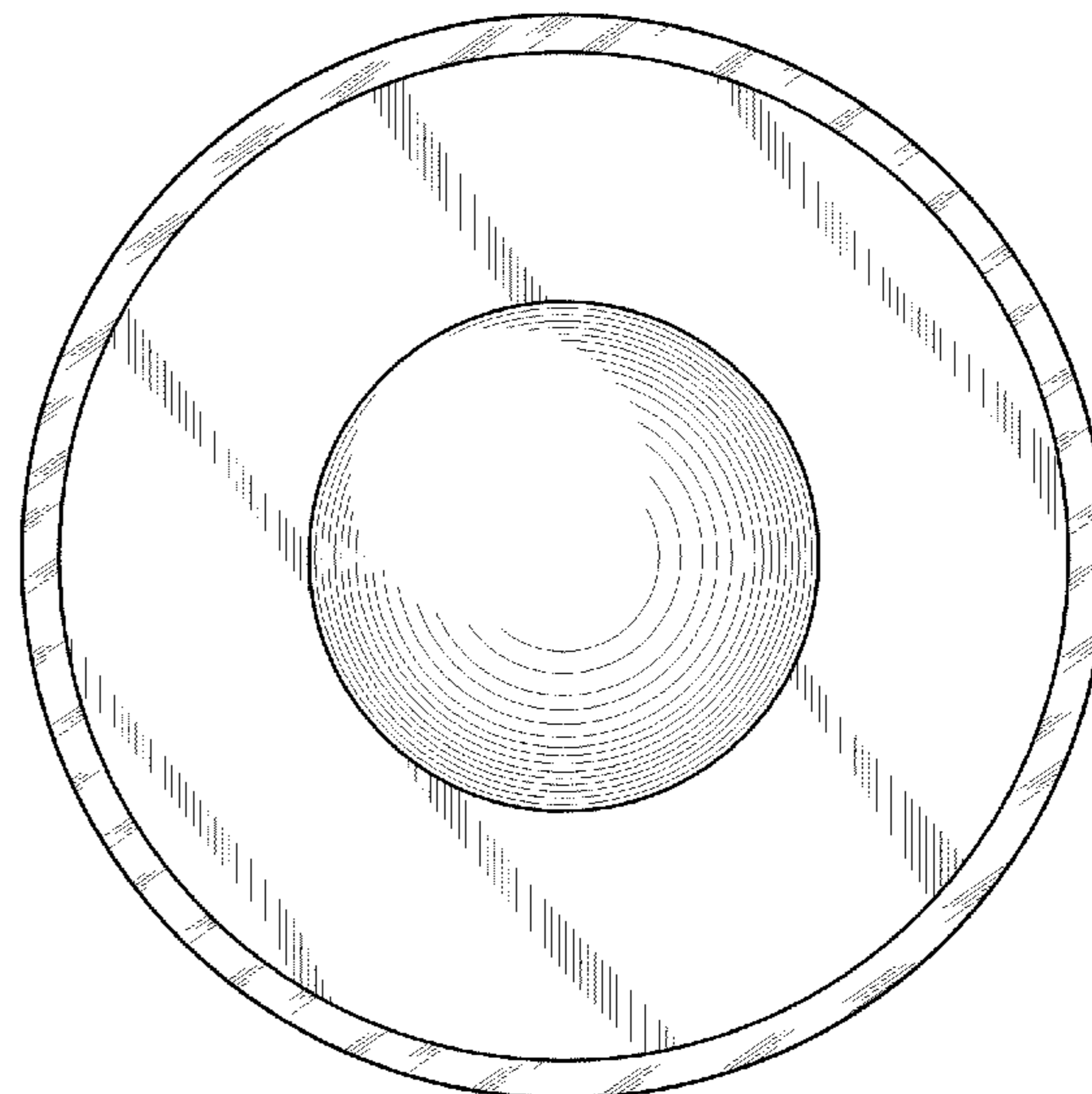
FIG. 1 is a perspective view of a light fixture in accordance with my design;

FIG. 2 is a plan view of the light fixture in accordance with my design; and,

FIG. 3 is a front elevation view of the light fixture in accordance with my design, all elevation views being substantially identical.

The side opposite FIG. 2 forms no part of the claimed design.

1 Claim, 1 Drawing Sheet



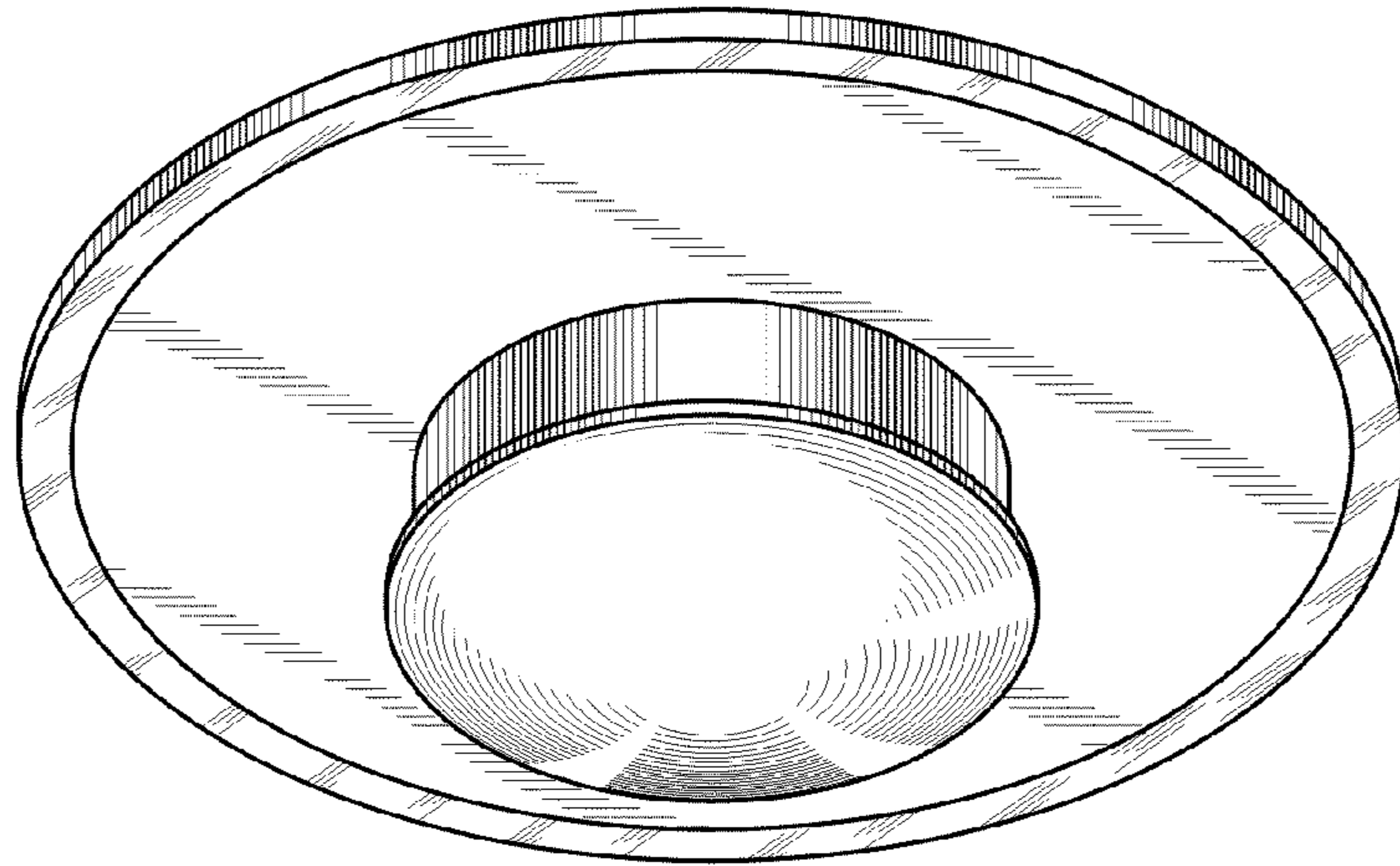


Fig.1

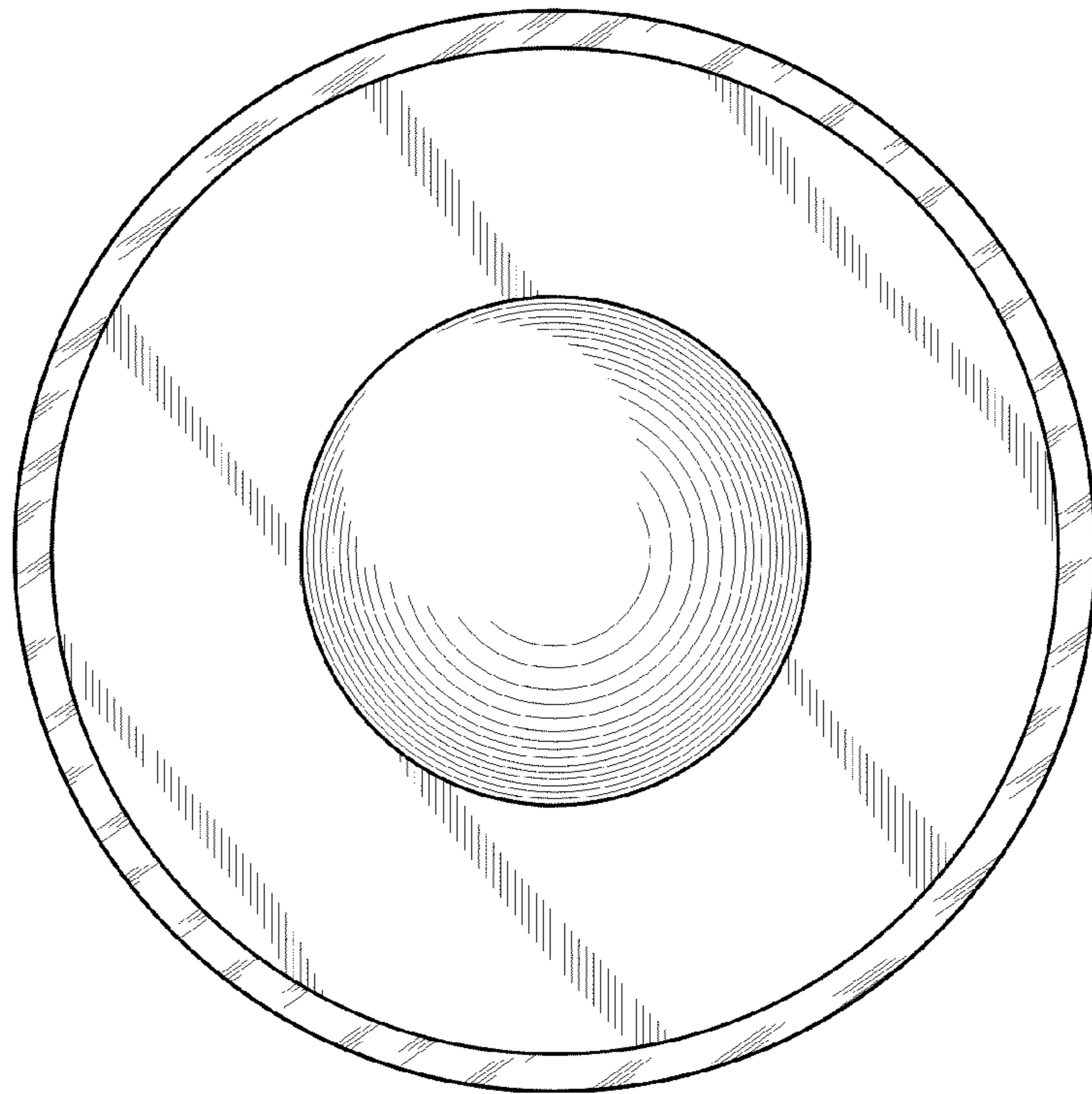


Fig.2

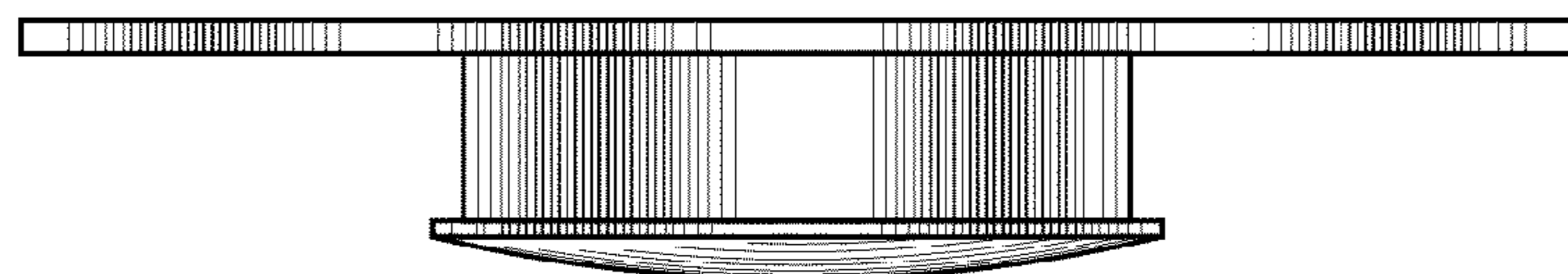


Fig.3