



US00D655854S

(12) **United States Design Patent**
Kim et al.

(10) **Patent No.:** **US D655,854 S**
(45) **Date of Patent:** **** Mar. 13, 2012**

(54) **LED LAMP**

(75) Inventors: **Taihong Kim**, Seoul (KR); **Jungjoo Yoo**, Seoul (KR); **Jaeseung Choi**, Seoul (KR); **Jongsun Jeon**, Seoul (KR); **Wonho Jin**, Seoul (KR)

(73) Assignee: **LG Electronics Inc.**, Seoul (KR)

(**) Term: **14 Years**

(21) Appl. No.: **29/383,071**

(22) Filed: **Jan. 12, 2011**

(30) **Foreign Application Priority Data**

Jul. 13, 2010 (KR) 30-2010-0030771

(51) **LOC (9) Cl.** **26-03**

(52) **U.S. Cl.** **D26/89; D26/76**

(58) **Field of Classification Search** D26/72,
D26/75, 76, 79, 80, 83, 85, 86, 88, 89, 91,
D26/120, 134-136; 362/147, 294, 351, 356,
362/453-457, 404-408, 432

See application file for complete search history.

(56) **References Cited**

U.S. PATENT DOCUMENTS

D193,575 S *	9/1962	Blitzer	D26/76
4,117,532 A *	9/1978	Arbib	362/358
D441,890 S *	5/2001	Grimm	D26/76
D461,923 S *	8/2002	Chelf	D26/76
D498,856 S *	11/2004	Froech	D25/157
D564,694 S *	3/2008	Southern, Jr.	D26/85
D596,778 S *	7/2009	Yamazato	D26/76
D613,445 S *	4/2010	Beghelli	D26/74
D629,146 S *	12/2010	van den Akker	D26/89

D632,004 S *	2/2011	Waldmann	D26/88
D632,007 S *	2/2011	Kim et al.	D26/120
D632,008 S *	2/2011	Kim et al.	D26/120
D633,640 S *	3/2011	Wauters	D26/85

OTHER PUBLICATIONS

“Matrix” square low profile light fixtures from Ambient—Architectural Lighting PDF Brochure downloaded Jul. 21, 2009. (2 pages, includes brochure cover).*

“Square” collection 9" wide ceiling/wall light fixture. Found at eurostylelighting.com visited Aug. 5, 2010.*

“Pristine” 53" wide Energy Star® ceiling light fixture. Found at eurostylelighting.com visited Aug. 5, 2010.*

“Deco” crystal and chrome 16" wide ceiling light fixture. Found at eurostylelighting.com visited Aug. 5, 2010.*

* cited by examiner

Primary Examiner — Clare E Heflin

(74) *Attorney, Agent, or Firm* — Birch, Stewart, Kolasch & Birch, LLP

(57) **CLAIM**

The ornamental design for a LED lamp, as shown and described.

DESCRIPTION

FIG. 1 is a top, front, perspective view of a LED lamp showing our new design;

FIG. 2 is a front view thereof;

FIG. 3 is a rear view thereof;

FIG. 4 is a left side view thereof;

FIG. 5 is a right side view thereof;

FIG. 6 is a top view thereof;

FIG. 7 is a bottom view thereof; and,

FIG. 8 is a reference view thereof.

1 Claim, 4 Drawing Sheets

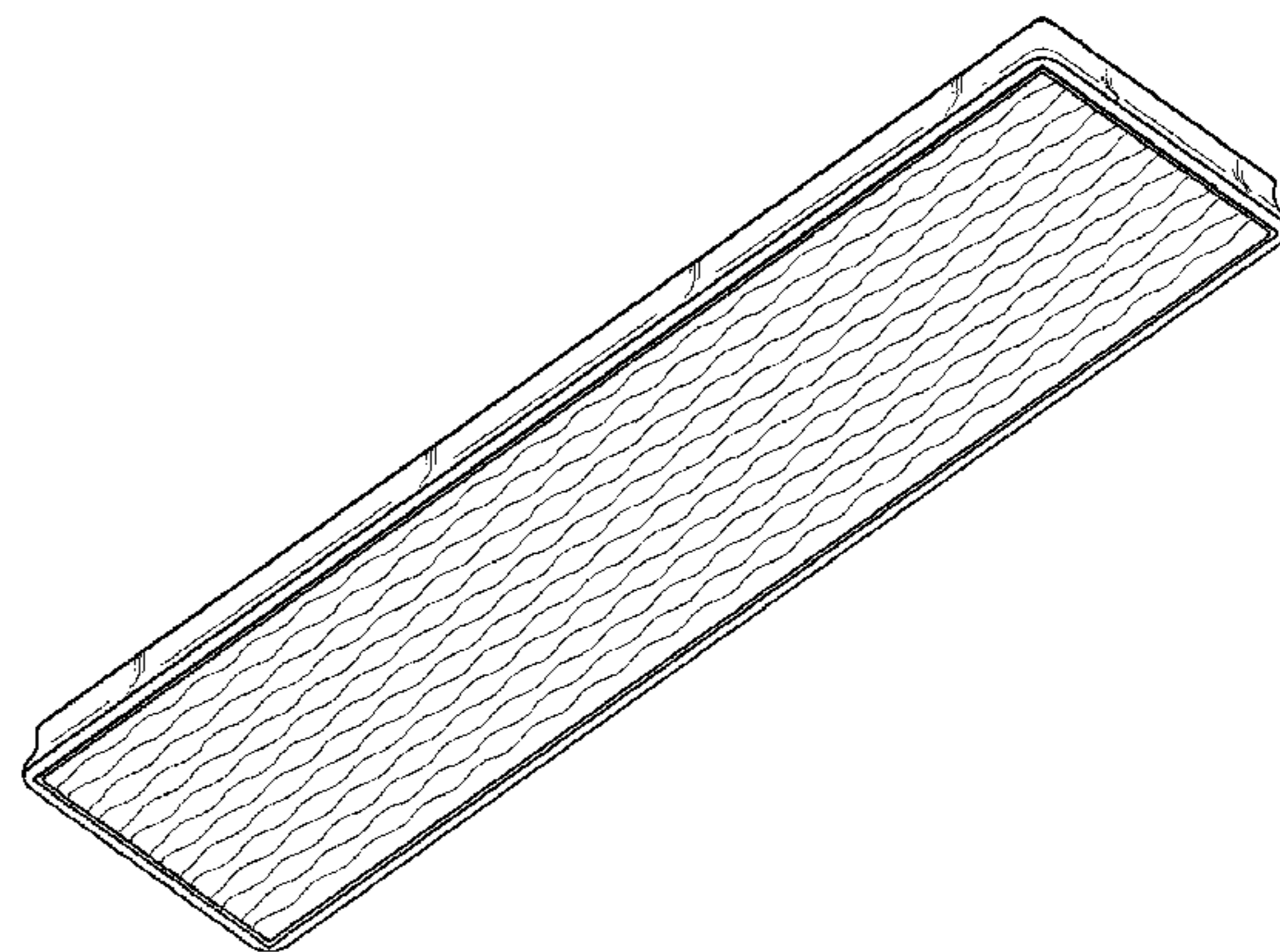
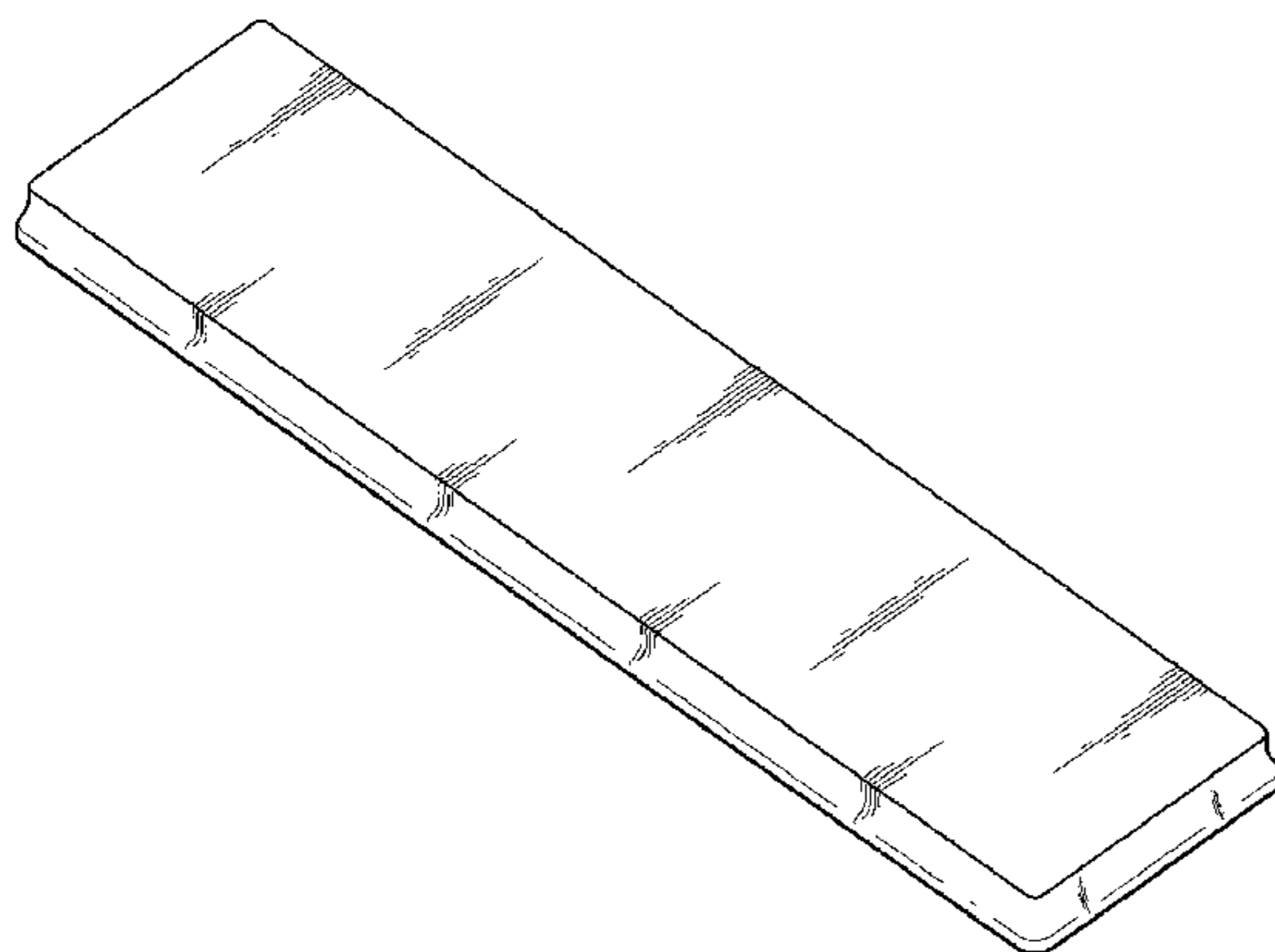


FIG. 1

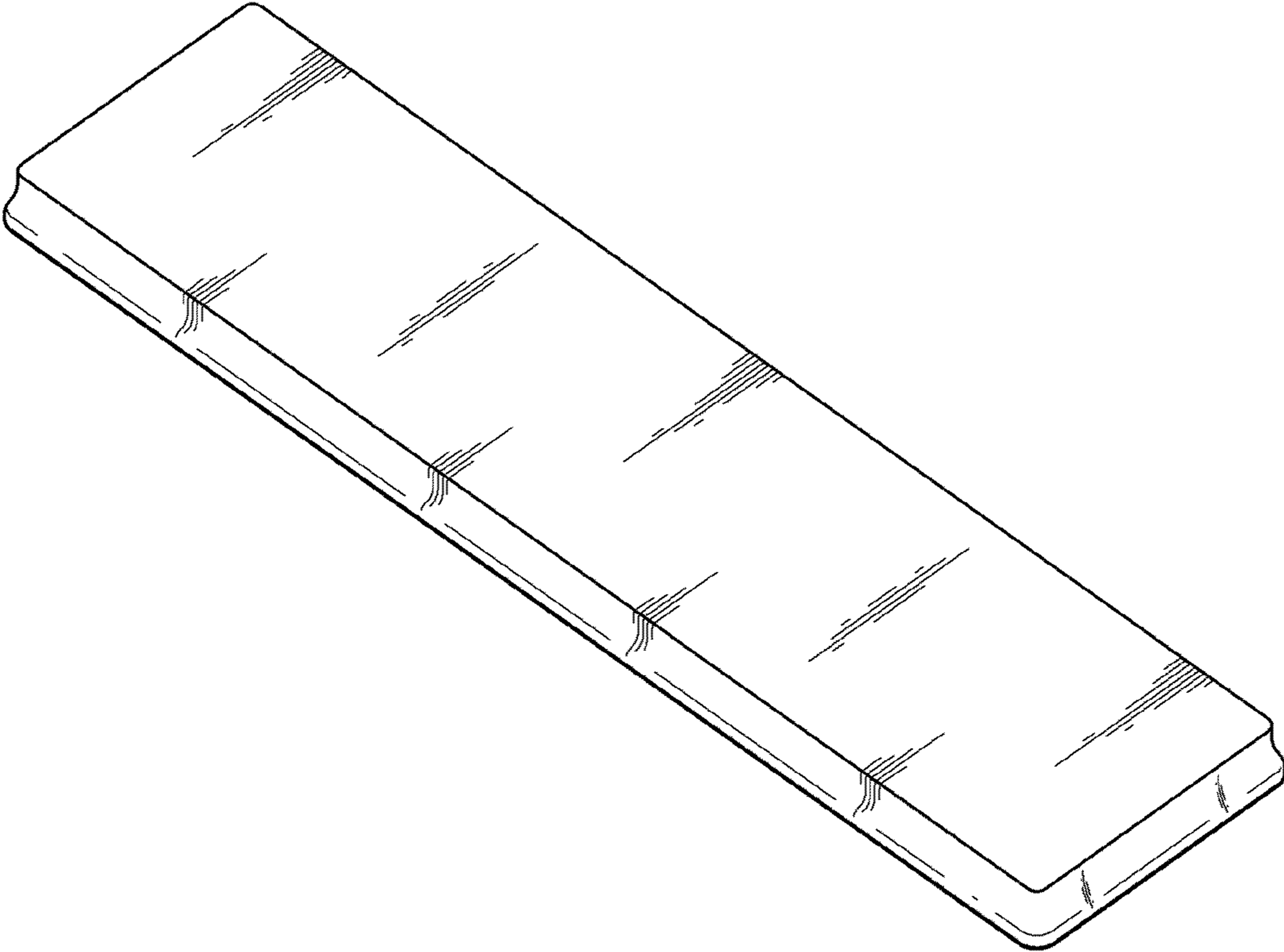


FIG. 2



FIG. 3



FIG. 4



FIG. 5



FIG. 6

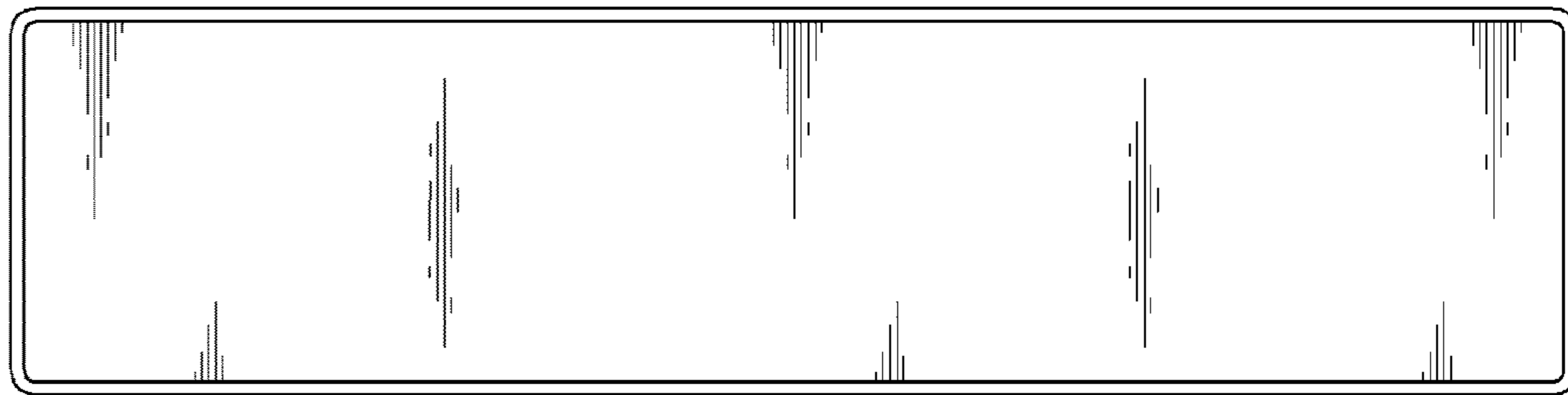


FIG. 7

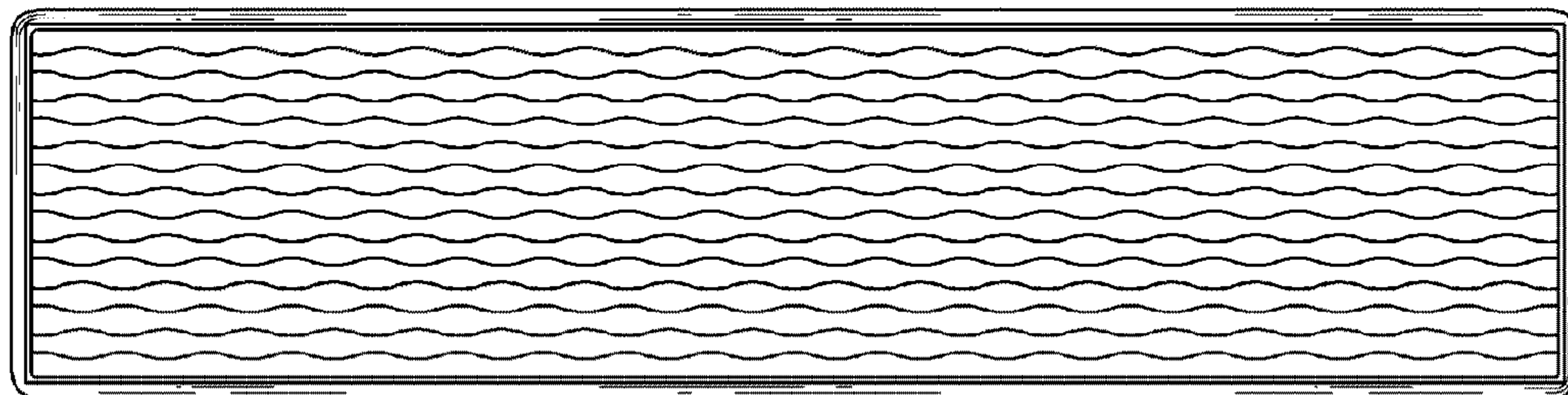


FIG. 8

