



US00D655853S

(12) **United States Design Patent**  
**Kim et al.**

(10) **Patent No.:** **US D655,853 S**  
(45) **Date of Patent:** **\*\* Mar. 13, 2012**

(54) **LED LAMP**

(75) Inventors: **Taihong Kim**, Seoul (KR); **Jungjoo Yoo**, Seoul (KR); **Jaeseung Choi**, Seoul (KR); **Jongsun Jeon**, Seoul (KR); **Wonho Jin**, Seoul (KR)

(73) Assignee: **LG Electronics Inc.**, Seoul (KR)

(\*\*) Term: **14 Years**

(21) Appl. No.: **29/383,068**

(22) Filed: **Jan. 12, 2011**

(30) **Foreign Application Priority Data**

Jul. 13, 2010 (KR) ..... 30-2010-0030772

(51) **LOC (9) Cl.** ..... **26-03**

(52) **U.S. Cl.** ..... **D26/89**

(58) **Field of Classification Search** ..... D26/72,  
D26/79, 80, 83, 85, 86, 88, 89, 91, 120, 134-136;  
362/147, 294, 351, 356, 453-457, 404-408,  
362/432

See application file for complete search history.

(56) **References Cited**

**U.S. PATENT DOCUMENTS**

D192,608 S *	4/1962	Cooke	.....	D26/76
D218,194 S *	7/1970	Gore	.....	D26/91
4,117,532 A *	9/1978	Arbib	.....	362/358
D496,487 S *	9/2004	Rhee	.....	D26/89
D498,856 S *	11/2004	Froech	.....	D26/120
D539,943 S *	4/2007	Egawa et al.	.....	D26/24
D564,694 S *	3/2008	Southern, Jr.	.....	D26/85
D613,445 S *	4/2010	Beghelli	.....	D26/74
D629,146 S *	12/2010	van den Akker	.....	D26/89

D632,007 S *	2/2011	Kim et al.	.....	D26/120
D632,008 S *	2/2011	Kim et al.	.....	D26/120
D634,055 S *	3/2011	Hokazono et al.	.....	D26/89
D640,821 S *	6/2011	Kocks	.....	D26/89

**OTHER PUBLICATIONS**

“Matrix” square low profile light fixtures from Ambient—Architectural Lighting PDF Brochure downloaded Jul. 21, 2009. (2 pages, includes brochure cover).\*

“Square” collection 9" wide ceiling/wall light fixture. Found at eurostylelighting.com visited Aug. 5, 2010.\*

“Pristine” 53" wide Energy Star® ceiling light fixture. Found at eurostylelighting.com visited Aug. 5, 2010.\*

“Deco” crystal and chrome 16" wide ceiling light fixture. Found at eurostylelighting.com visited Aug. 5, 2010.\*

\* cited by examiner

*Primary Examiner* — Clare E Heflin

(74) *Attorney, Agent, or Firm* — Birch, Stewart, Kolasch & Birch, LLP

(57) **CLAIM**

The ornamental design for a LED lamp, as shown and described.

**DESCRIPTION**

FIG. 1 is a top, front, perspective view of a LED lamp showing our new design;

FIG. 2 is a front view thereof;

FIG. 3 is a rear view thereof;

FIG. 4 is a left side view thereof;

FIG. 5 is a right side view thereof;

FIG. 6 is a top view thereof;

FIG. 7 is a bottom view thereof; and,

FIG. 8 is a reference view thereof.

**1 Claim, 5 Drawing Sheets**

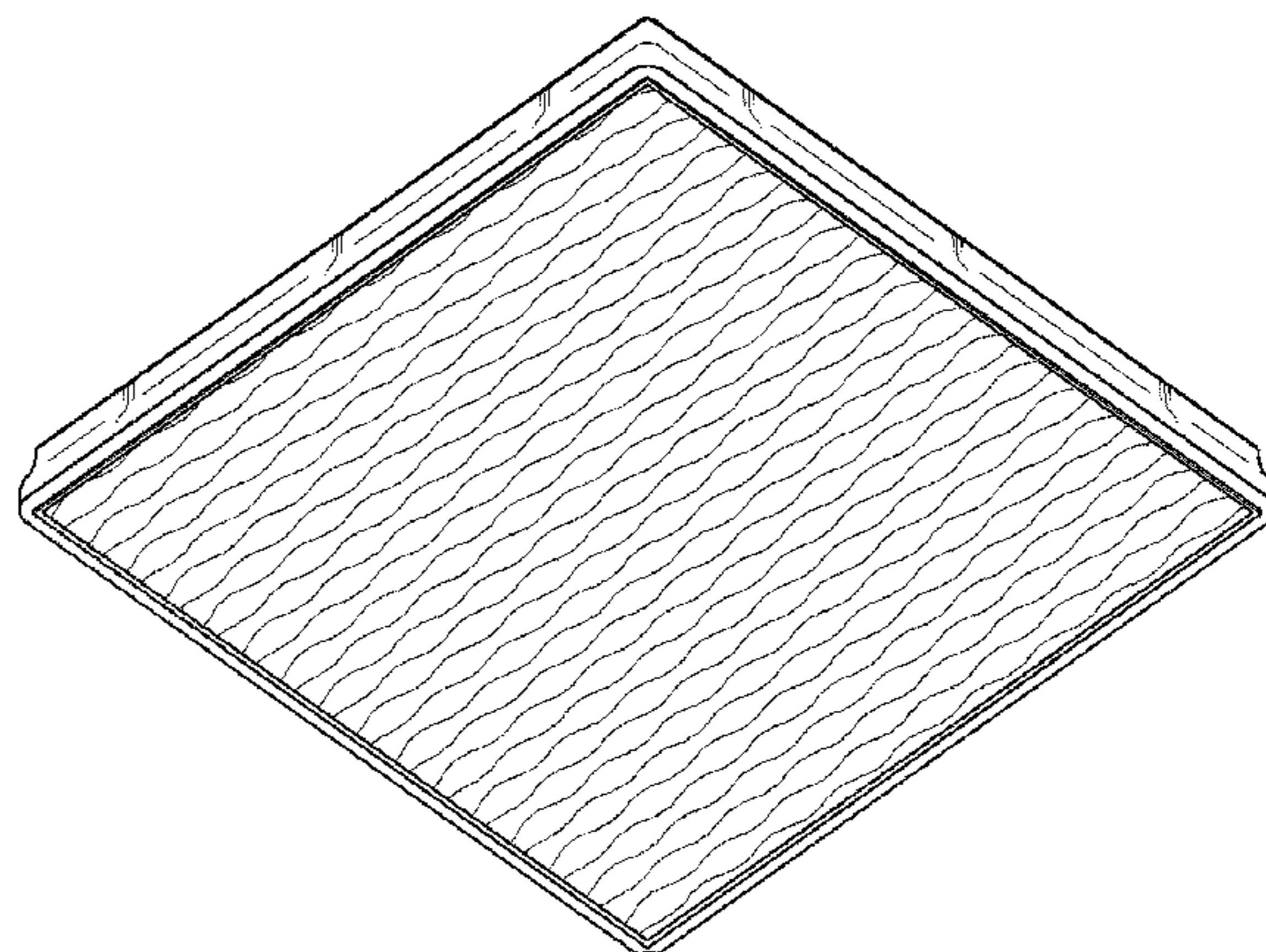
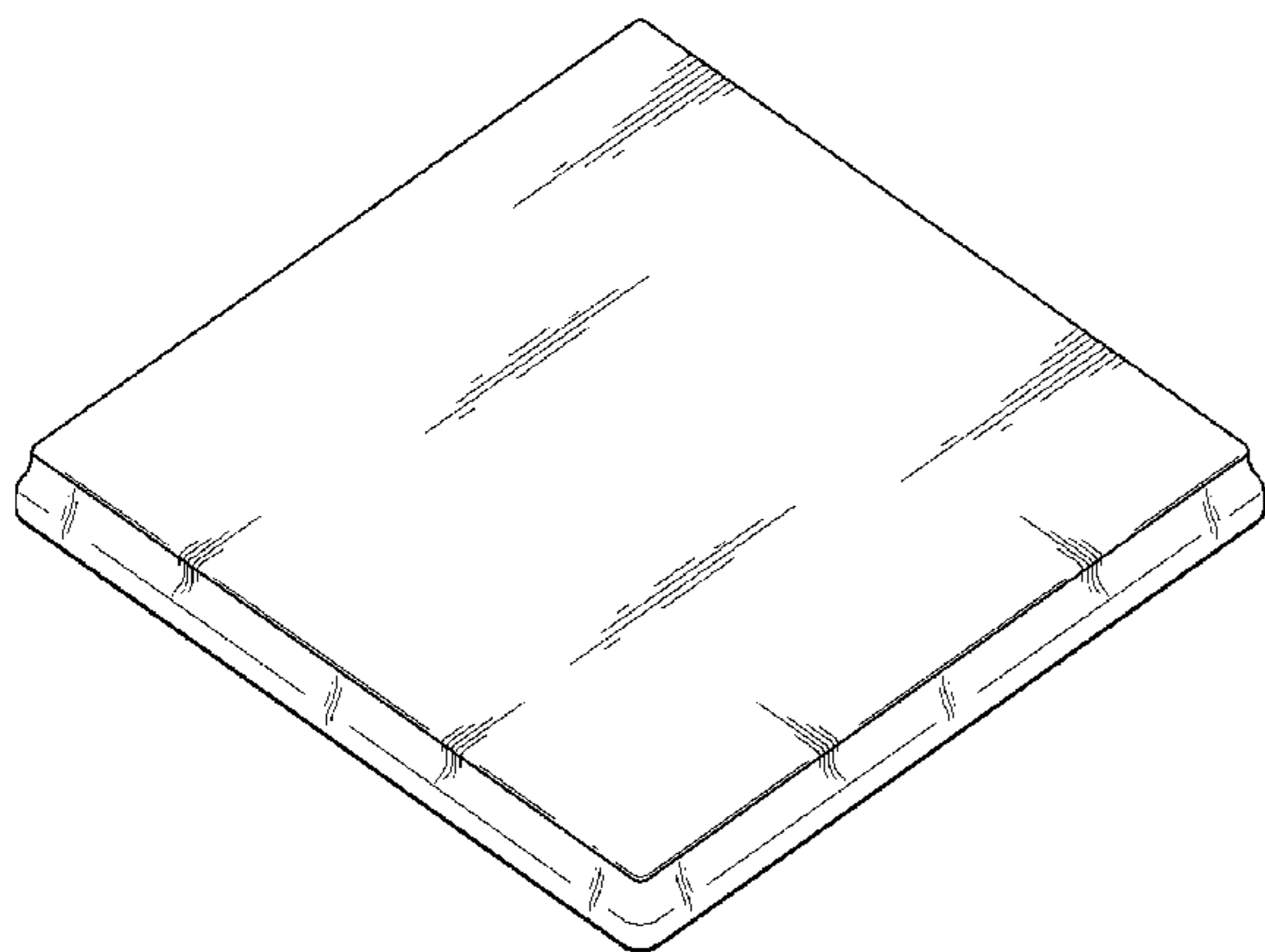


FIG. 1

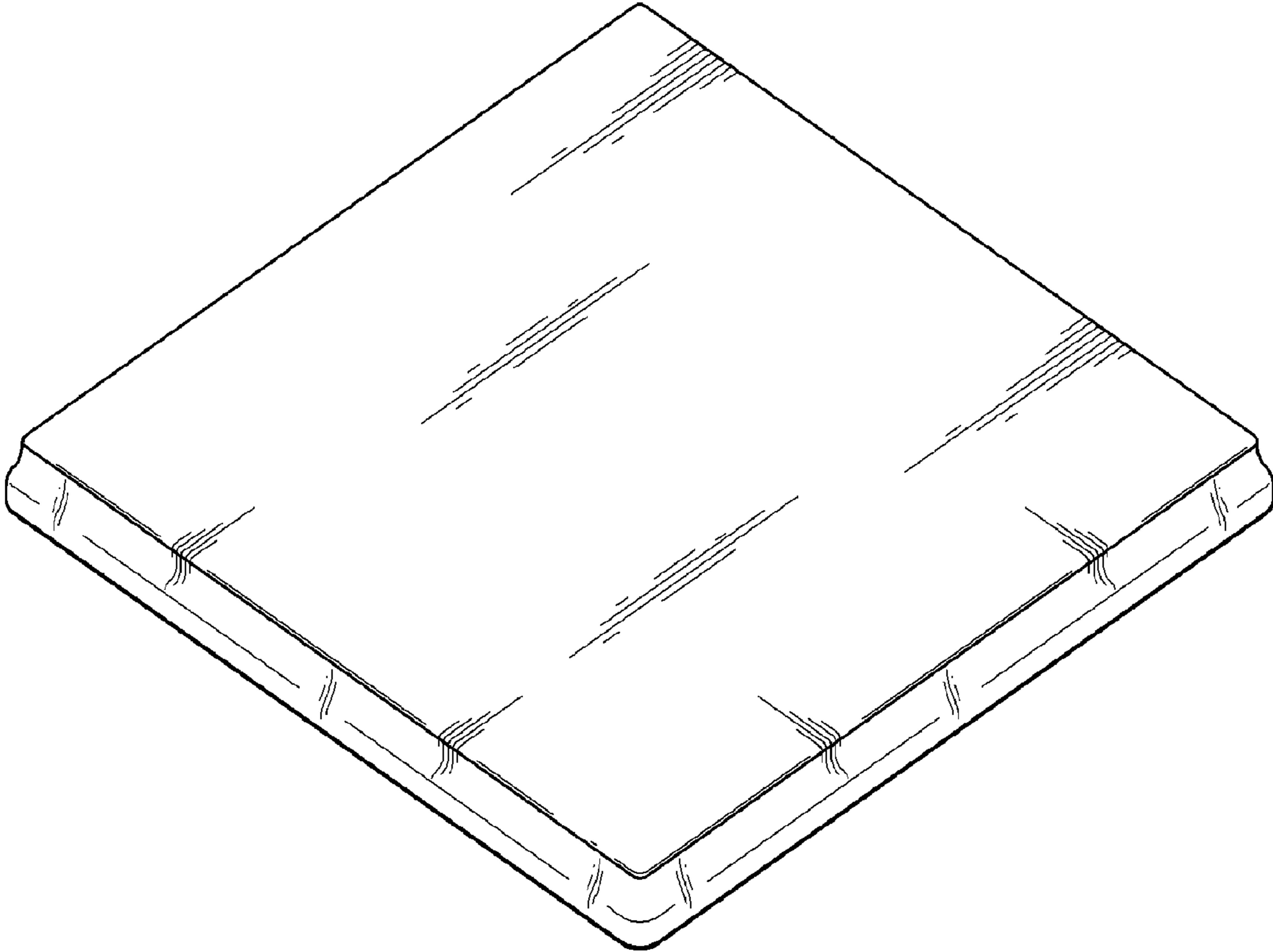


FIG. 2



FIG. 3

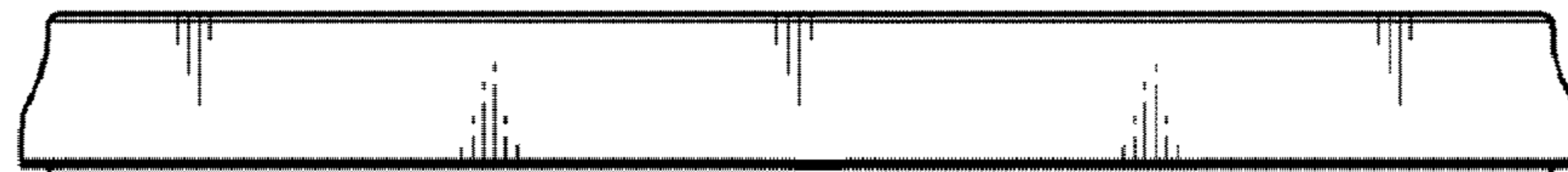


FIG. 4

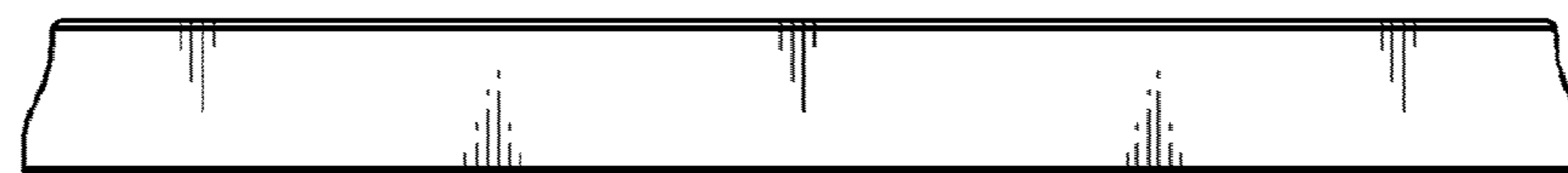


FIG. 5

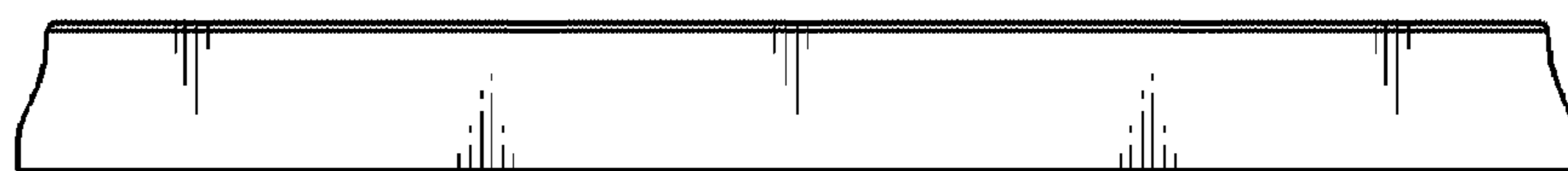


FIG. 6

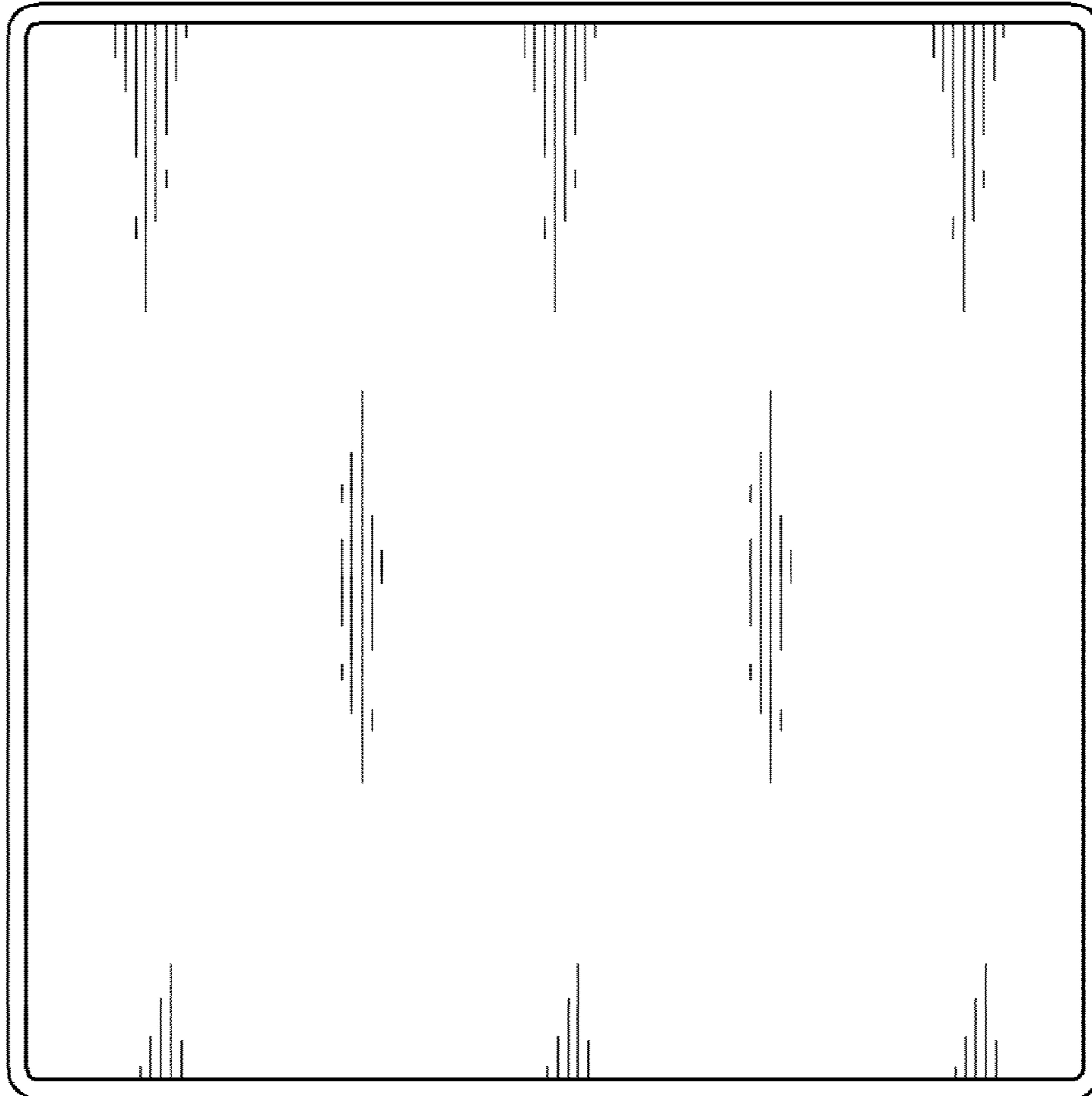


FIG. 7

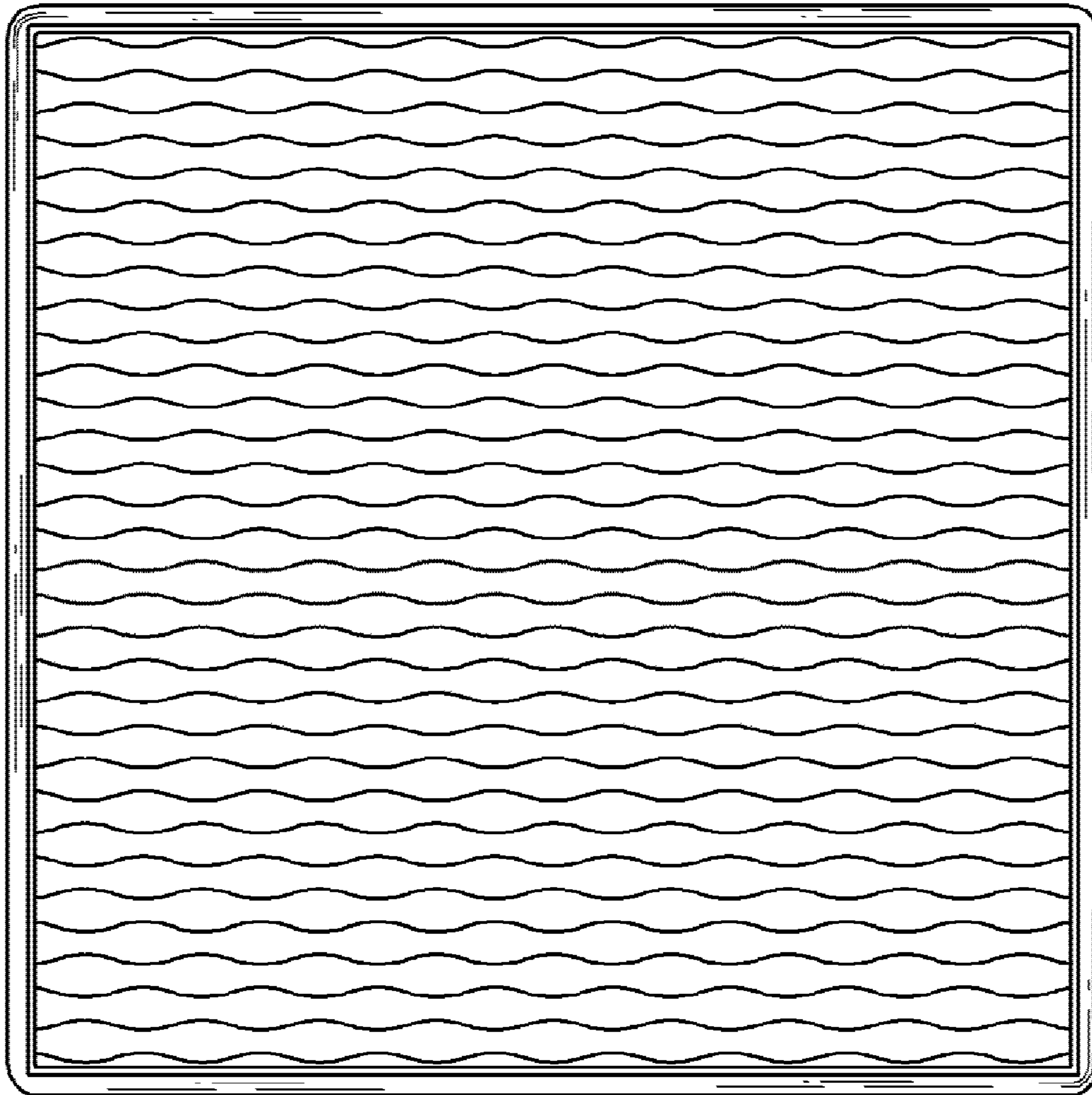


FIG. 8

