



US00D655852S

(12) **United States Design Patent**
Sabernig

(10) **Patent No.:** **US D655,852 S**
(45) **Date of Patent:** **** *Mar. 13, 2012**

(54) **LIGHT FIXTURE**

(75) Inventor: **Robert Sabernig**, Munster (AT)

(73) Assignee: **EGLO Leuchten GmbH**, Innsbruck (AT)

(*) Notice: This patent is subject to a terminal disclaimer.

(**) Term: **14 Years**

(21) Appl. No.: **29/384,734**

(22) Filed: **Feb. 3, 2011**

(51) **LOC (9) Cl.** **26-03**

(52) **U.S. Cl.** **D26/88; D26/90**

(58) **Field of Classification Search** D26/84-86,
D26/88-91, 118, 128, 137; 362/147, 404-408,
362/431, 432

See application file for complete search history.

(56) **References Cited**

U.S. PATENT DOCUMENTS

977,355	A *	11/1910	Williams	59/78.1
D168,738	S *	2/1953	Friedman	D23/334
D198,539	S *	6/1964	Freed	D26/70
D204,013	S *	3/1966	Hall	D26/128
D314,059	S *	1/1991	O'Neil	D26/73
D320,465	S *	10/1991	Sonneman	D26/86
D397,821	S *	9/1998	Palmari	D26/84
6,000,817	A *	12/1999	Chan	362/352
D426,342	S *	6/2000	Hoffbauer	D26/128
D446,337	S *	8/2001	Benghozi	D26/86
D482,158	S *	11/2003	Velikov et al.	D26/128
D563,023	S *	2/2008	Hetfield et al.	D26/72
D563,024	S *	2/2008	Hetfield et al.	D26/72
D574,993	S *	8/2008	Silver	D26/88
D583,498	S *	12/2008	Meyer et al.	D26/89
D620,183	S *	7/2010	Sabernig	D26/88
D620,629	S *	7/2010	Sabernig	D26/84

OTHER PUBLICATIONS

Ayako from the Form and Function Collection on p. 29 of the Eurofase Illuminations Catalog #EF-09. © 2009. (2 pages).*

All Tromba Pendants on p. 317 of the 2009 ELK Lighting Catalog 2900. (2 pages).*

From the ET2 Lighting 2007 Catalog: 1.) "CAPS" on p. 199; 2.) Model#sE20209-05 and E20208-05 on p. 204; and 3.) Models E20243-11, E20243-03, E20243-07 shown on p. 209.(4 pages).*

* cited by examiner

Primary Examiner — Clare E Heflin

(74) *Attorney, Agent, or Firm* — Baker & McKenzie LLP

(57) **CLAIM**

The ornamental design for a light fixture, as shown and described.

DESCRIPTION

FIG. 1 is a perspective view, lined for color, of a light fixture in accordance with my design;

FIG. 2 is a front elevation view, lined for color, of the light fixture in accordance with my design;

FIG. 3 is a back elevation view, lined for color, of the light fixture in accordance with my design;

FIG. 4 is a side elevation view, lined for color, of the light fixture in accordance with my design, the opposite view being a mirror image of that shown;

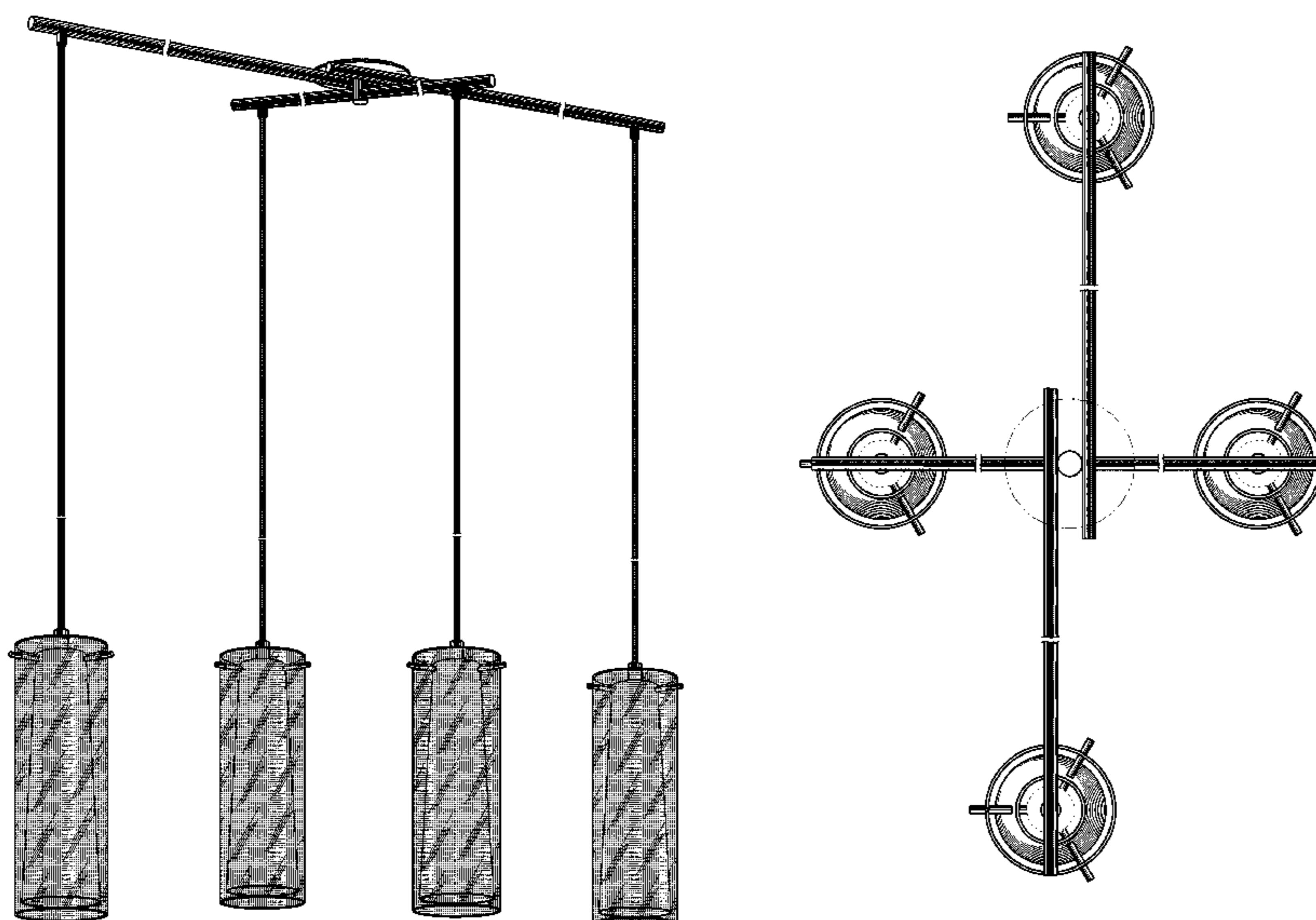
FIG. 5 is a top plan view of the light fixture in accordance with my design; and,

FIG. 6 is a bottom plan view of the light fixture in accordance with my design.

The broken-line disclosure of elements is understood to represent portions of the article in which the design is embodied, but which form no part of the claimed design.

The portions of the light fixture shown broken away in FIGS. 1-6 are to depict nonspecific length.

1 Claim, 6 Drawing Sheets



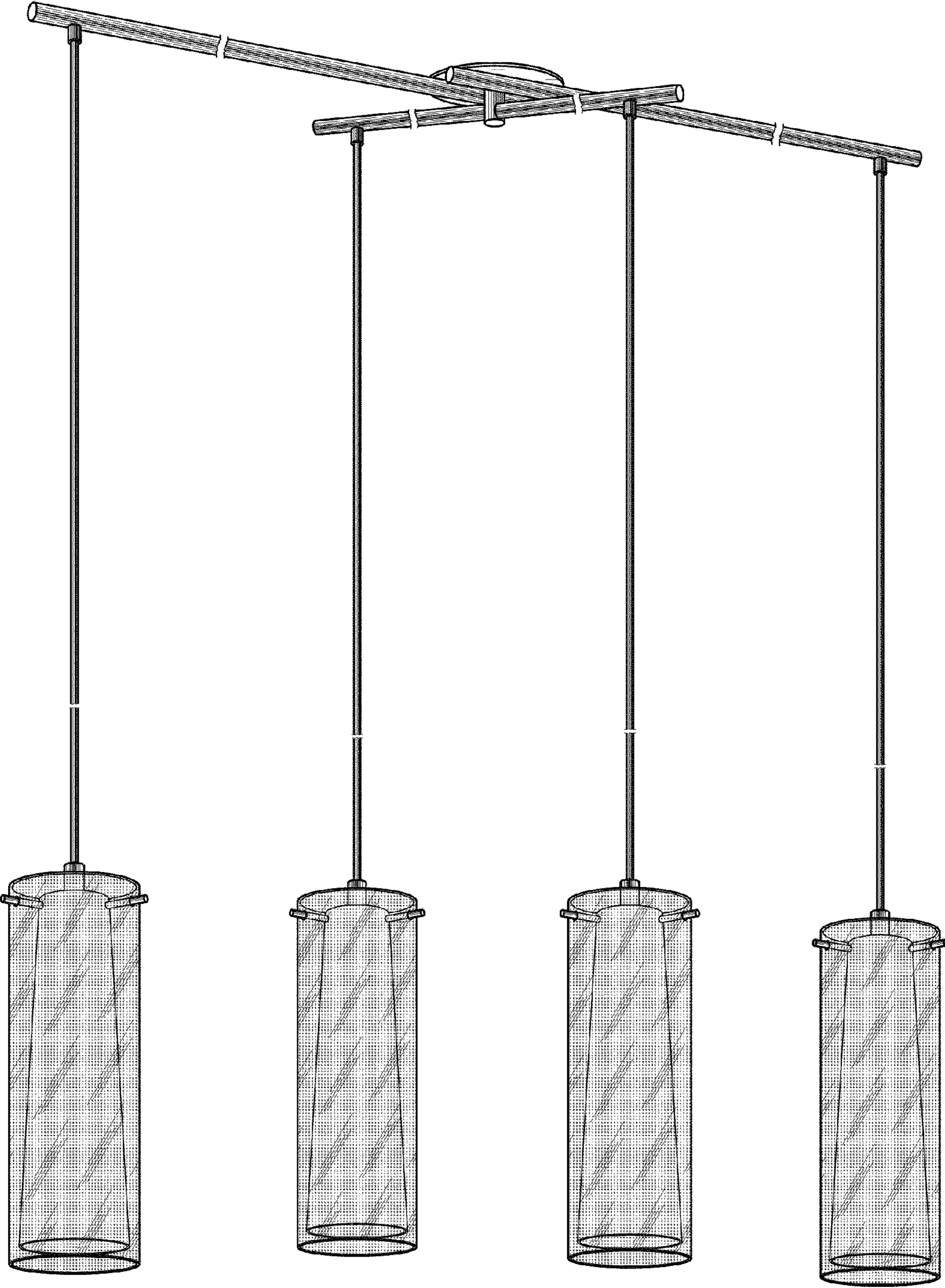


Fig.1

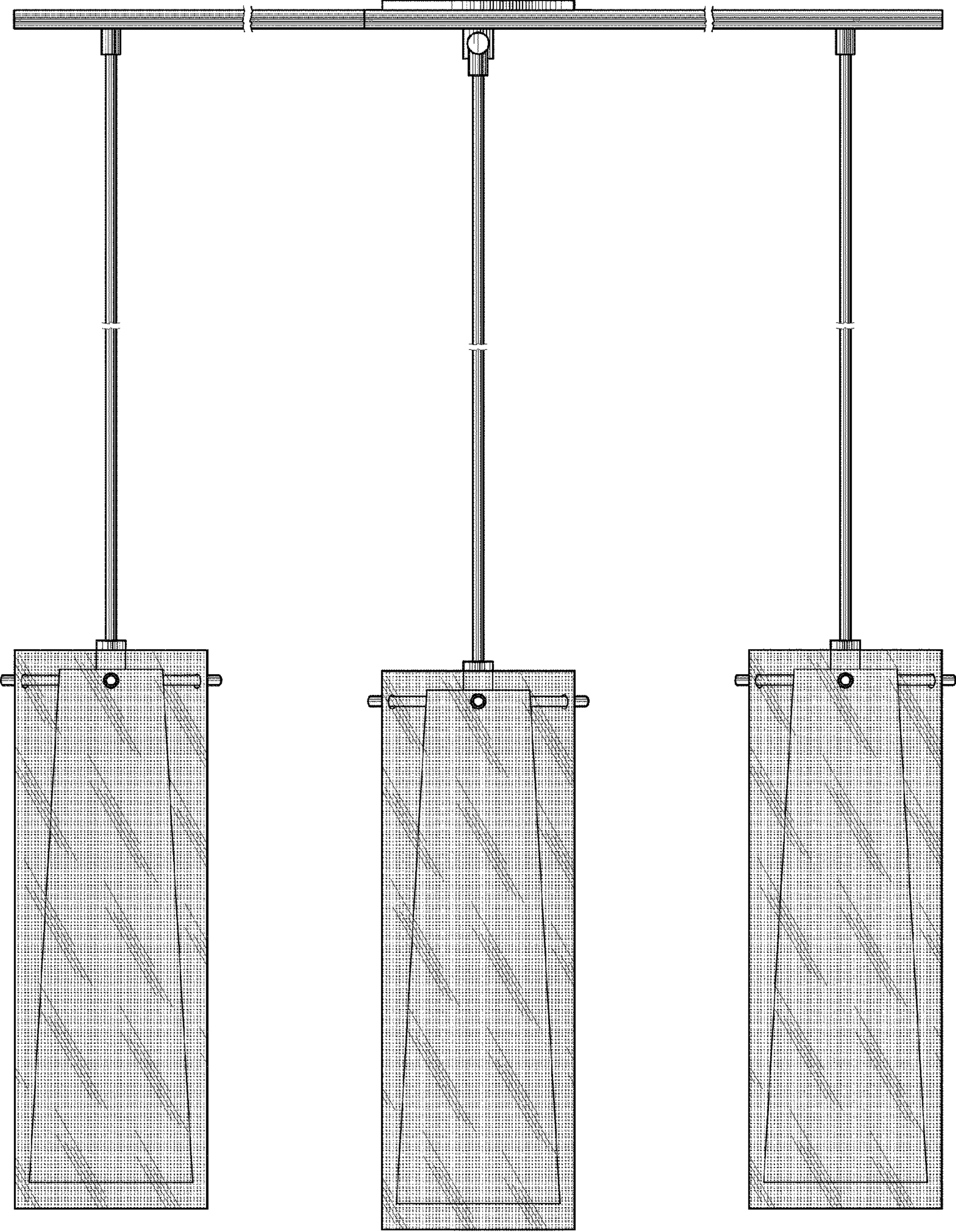


Fig.2

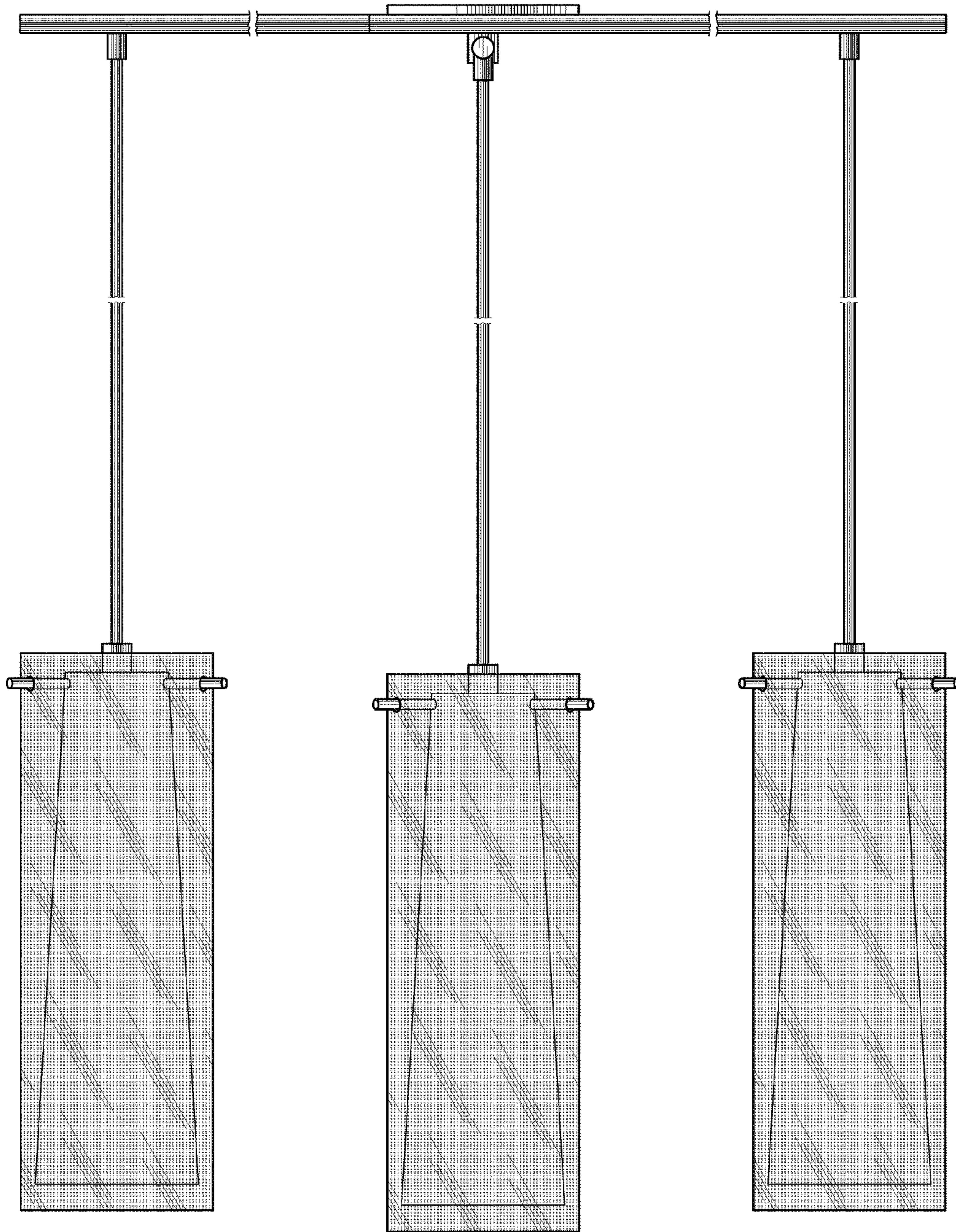


Fig.3

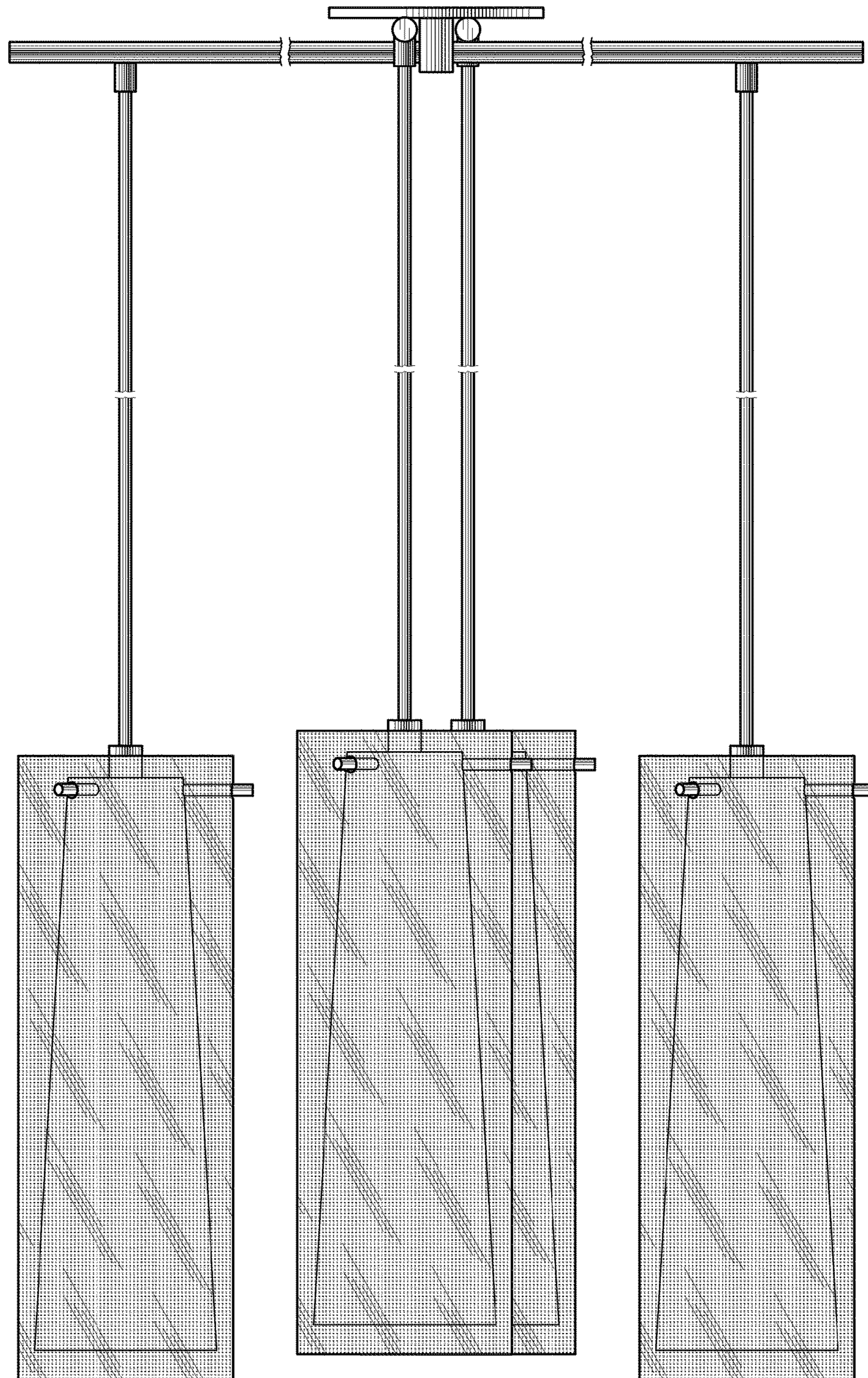


Fig.4

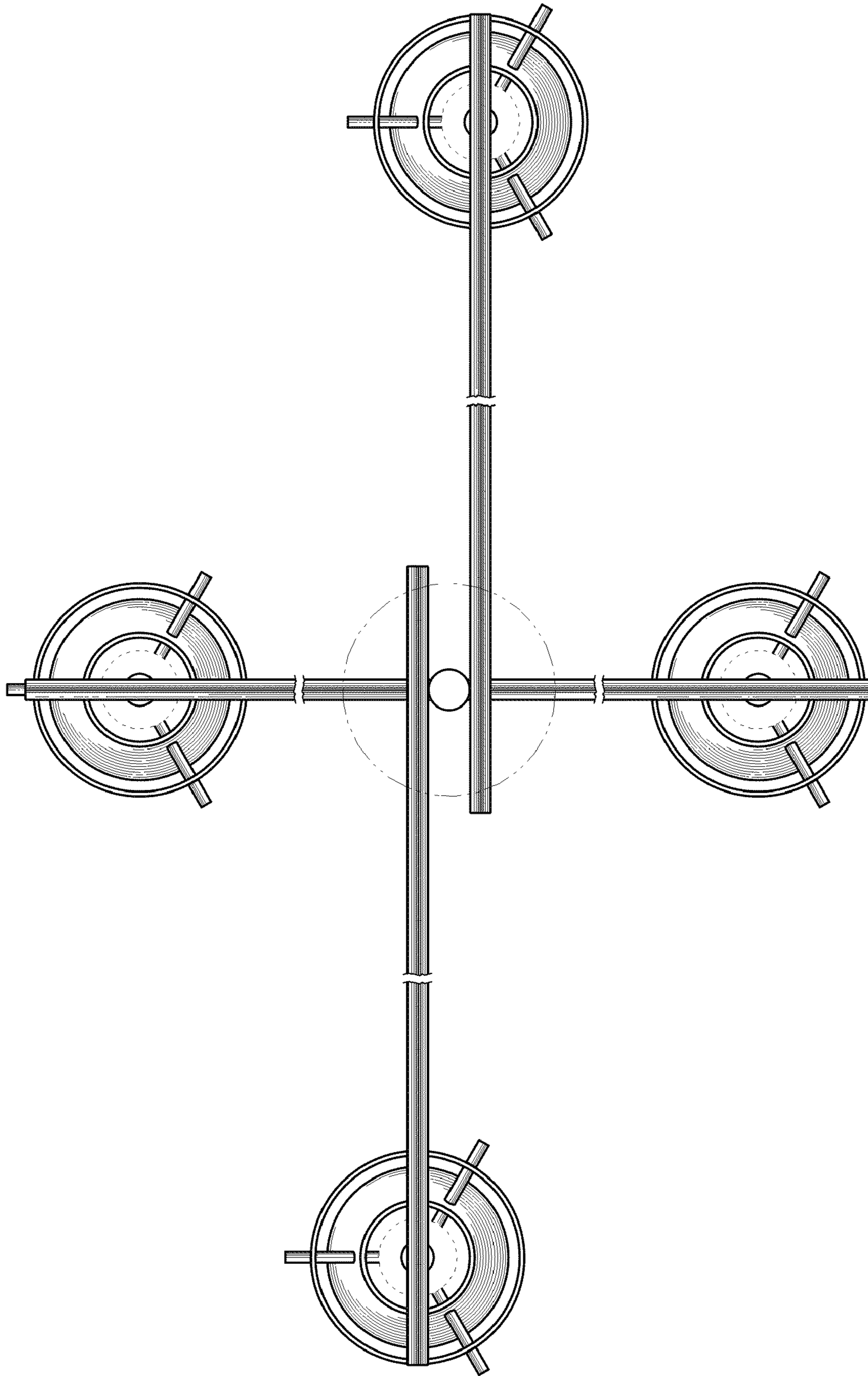


Fig.5

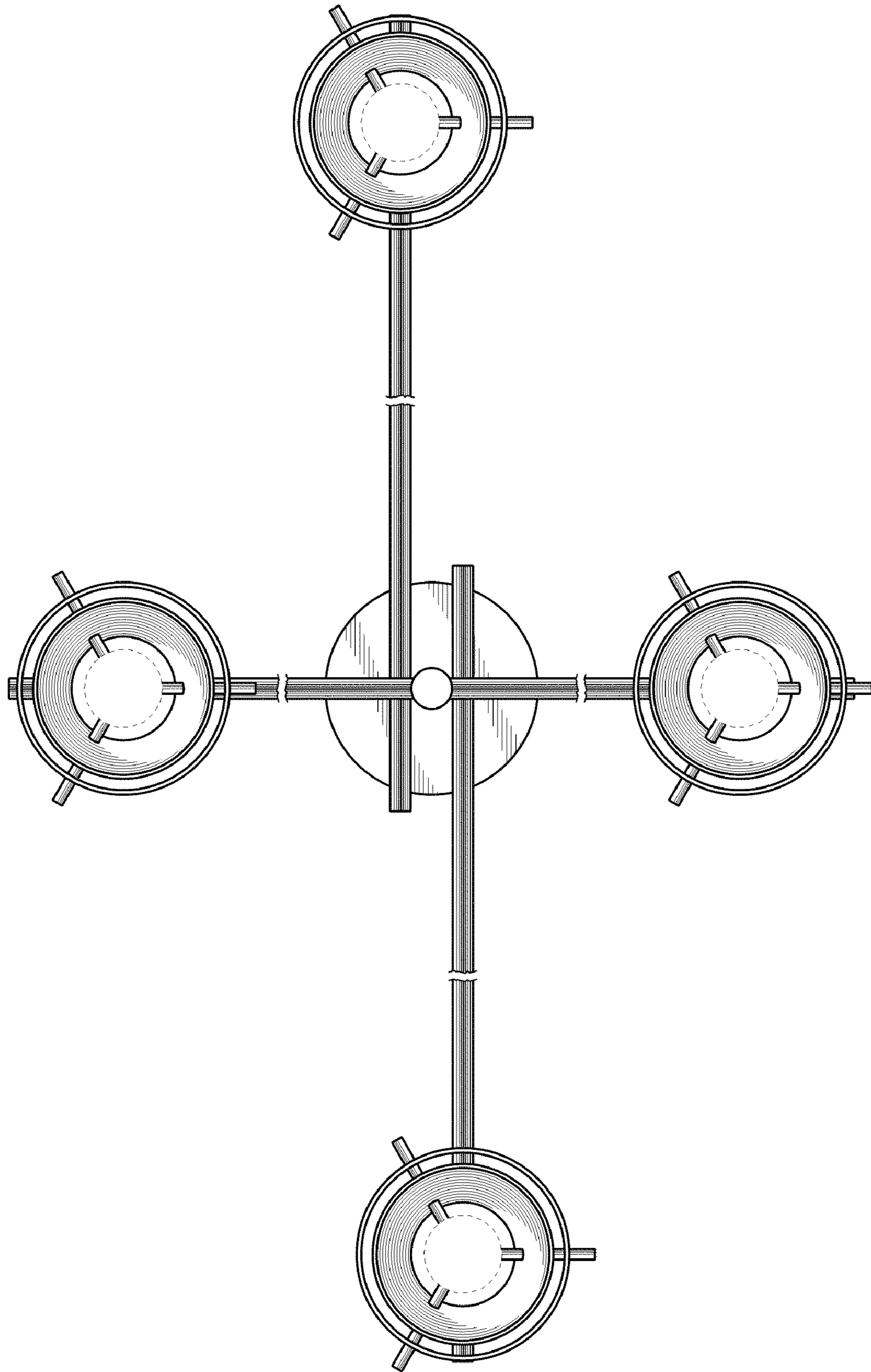


Fig.6