



US00D655851S

(12) **United States Design Patent**  
**Sabernig**

(10) **Patent No.:** **US D655,851 S**

(45) **Date of Patent:** **\*\* \*Mar. 13, 2012**

(54) **LIGHT FIXTURE**

(75) Inventor: **Robert Sabernig**, Munster (AT)

(73) Assignee: **EGLO Leuchten GmbH**, Innsbruck (AT)

(\*) Notice: This patent is subject to a terminal disclaimer.

(\*\*) Term: **14 Years**

(21) Appl. No.: **29/384,729**

(22) Filed: **Feb. 3, 2011**

(51) **LOC (9) Cl.** ..... **26-03**

(52) **U.S. Cl.** ..... **D26/88**

(58) **Field of Classification Search** ..... D26/84-86,  
D26/88-91, 118, 128, 137; 362/147, 404-408,  
362/431, 432

See application file for complete search history.

(56) **References Cited**

**U.S. PATENT DOCUMENTS**

|           |   |   |         |                 |       |         |
|-----------|---|---|---------|-----------------|-------|---------|
| 977,355   | A | * | 11/1910 | Williams        | ..... | 59/78.1 |
| D168,738  | S | * | 2/1953  | Friedman        | ..... | D23/334 |
| D198,539  | S | * | 6/1964  | Freed           | ..... | D26/70  |
| D204,013  | S | * | 3/1966  | Hall            | ..... | D26/128 |
| D314,059  | S | * | 1/1991  | O'Neil          | ..... | D26/73  |
| D320,465  | S | * | 10/1991 | Sonneman        | ..... | D26/86  |
| D397,821  | S | * | 9/1998  | Palmari         | ..... | D26/84  |
| 6,000,817 | A | * | 12/1999 | Chan            | ..... | 362/352 |
| D426,342  | S | * | 6/2000  | Hoffbauer       | ..... | D26/128 |
| D446,337  | S | * | 8/2001  | Benghozi        | ..... | D26/86  |
| D482,158  | S | * | 11/2003 | Velikov et al.  | ..... | D26/128 |
| D563,023  | S | * | 2/2008  | Hetfield et al. | ..... | D26/72  |
| D563,024  | S | * | 2/2008  | Hetfield et al. | ..... | D26/72  |
| D574,993  | S | * | 8/2008  | Silver          | ..... | D26/88  |
| D583,498  | S | * | 12/2008 | Meyer et al.    | ..... | D26/89  |
| D620,183  | S | * | 7/2010  | Sabernig        | ..... | D26/88  |

**OTHER PUBLICATIONS**

Ayako from the Form and Function Collection on p. 29 of the Eurofase Illuminations Catalog #EF-09. © 2009. (2 pages).\*

All Tromba" Pendants on p. 317 of the 2009 ELK Lighting Catalog 2900. (2 pages).\*

From the ET2 Lighting 2007 Catalog: 1.)"CAPS" on p. 199; 2.) Model#sE20209-05 and E20208-05 on p. 204; and 3.) Models E20243-11, E20243-03, E20243-07 shown on p. 209.(4 pages).\*

\* cited by examiner

*Primary Examiner* — Clare E Heflin

(74) *Attorney, Agent, or Firm* — Baker & McKenzie LLP

(57) **CLAIM**

The ornamental design for a light fixture, as shown and described.

**DESCRIPTION**

FIG. 1 is a perspective view, lined for color, of a light fixture in accordance with my design;

FIG. 2 is a front elevation view, lined for color, of the light fixture in accordance with my design;

FIG. 3 is a back elevation view, lined for color, of the light fixture in accordance with my design;

FIG. 4 is a side elevation view, lined for color, of the light fixture in accordance with my design, the opposite view being a mirror image of that shown;

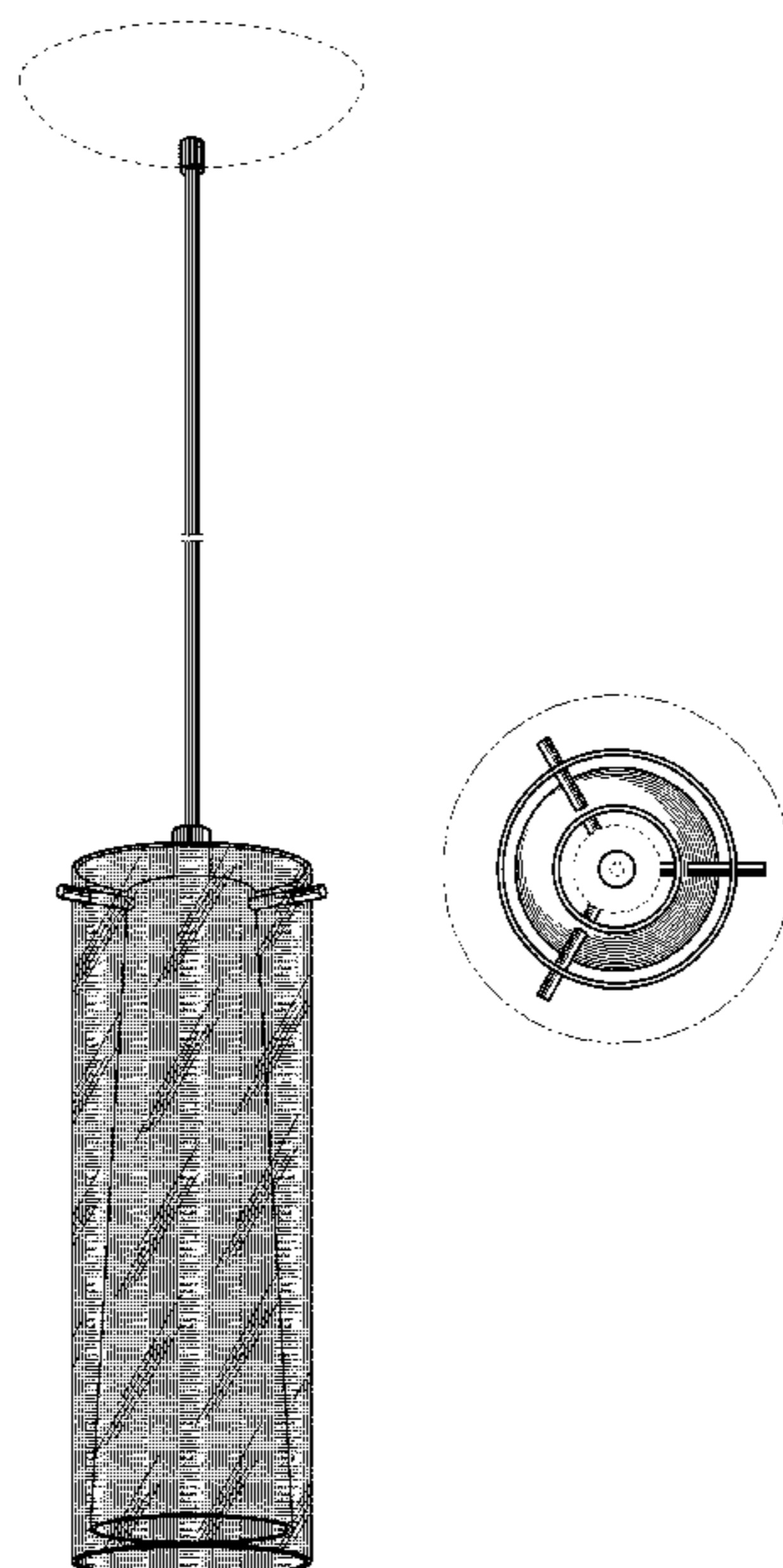
FIG. 5 is a top plan view of the light fixture in accordance with my design taken along the lines 5-5 of FIG. 2; and,

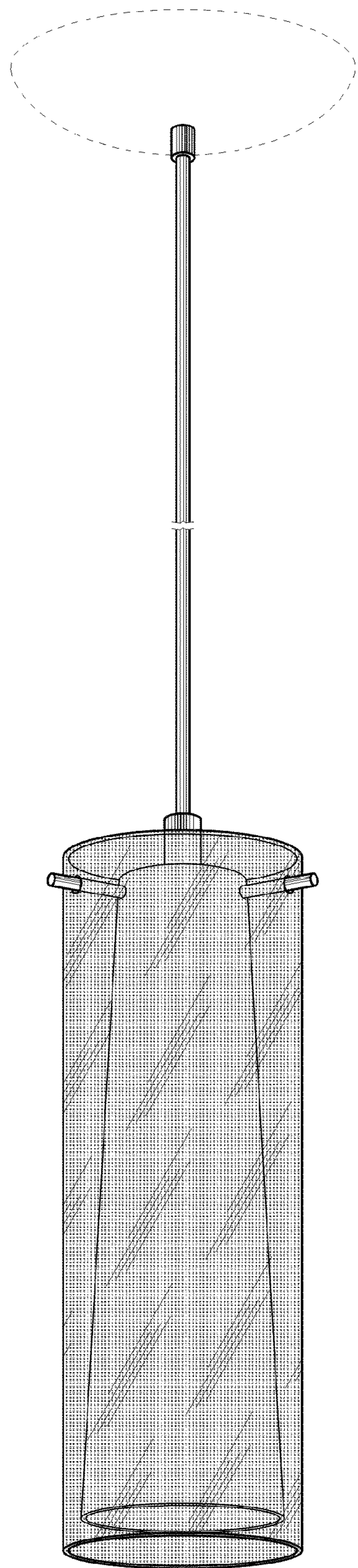
FIG. 6 is a bottom plan view of the light fixture in accordance with my design.

The broken-line disclosure of elements is understood to represent portions of the article in which the design is embodied, but which form no part of the claimed design.

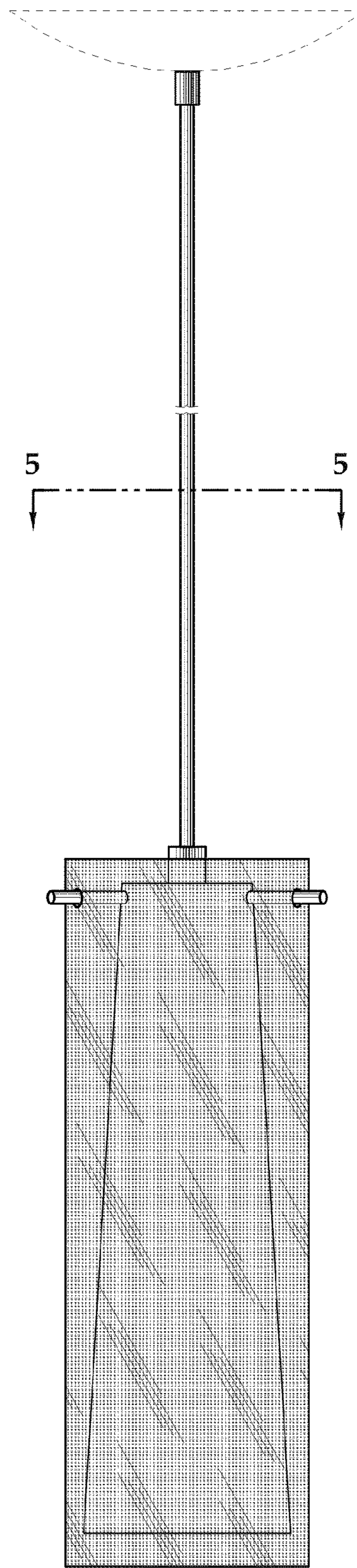
The portions of the light fixture shown broken away in FIGS. 1-4 are to depict nonspecific length.

**1 Claim, 2 Drawing Sheets**

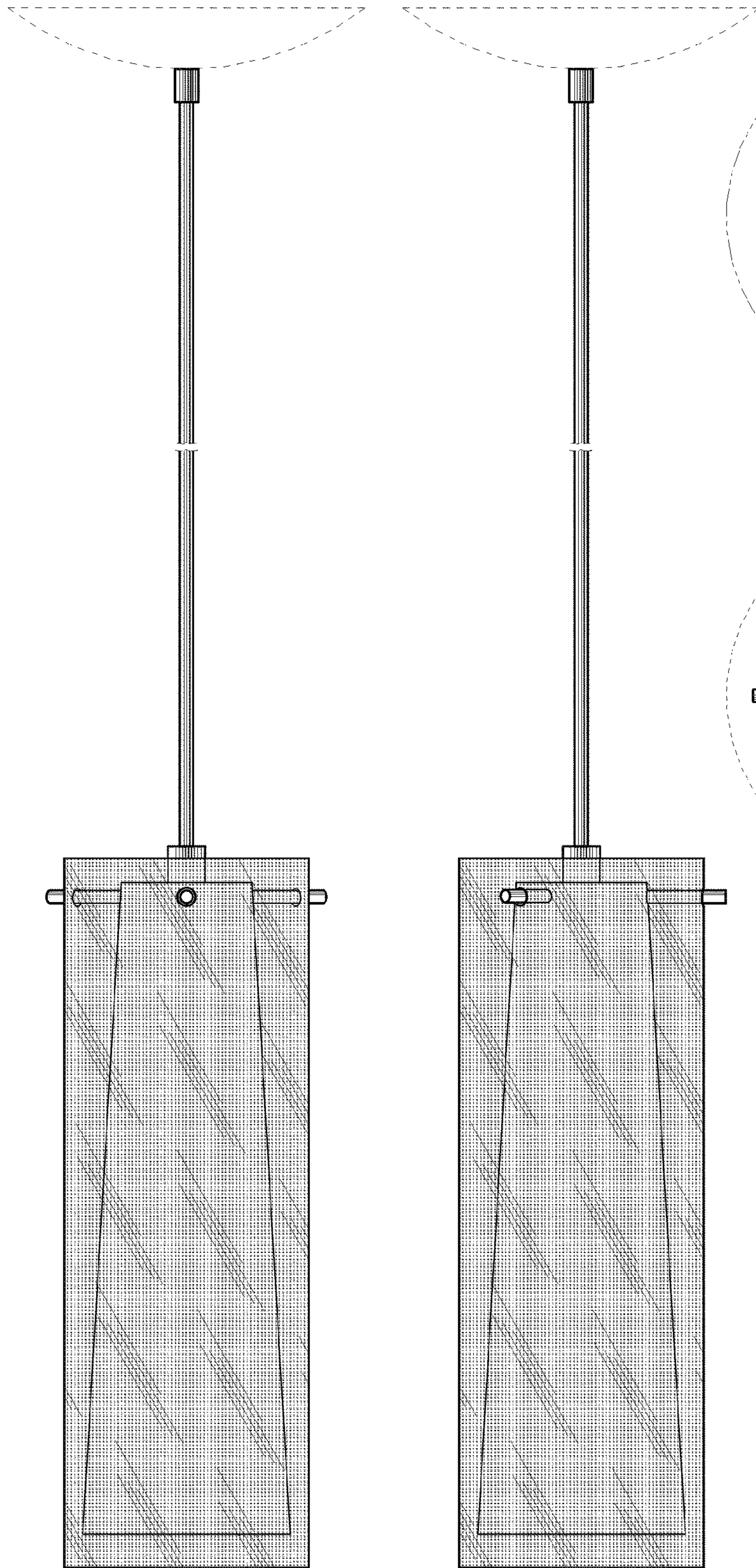




*Fig.1*

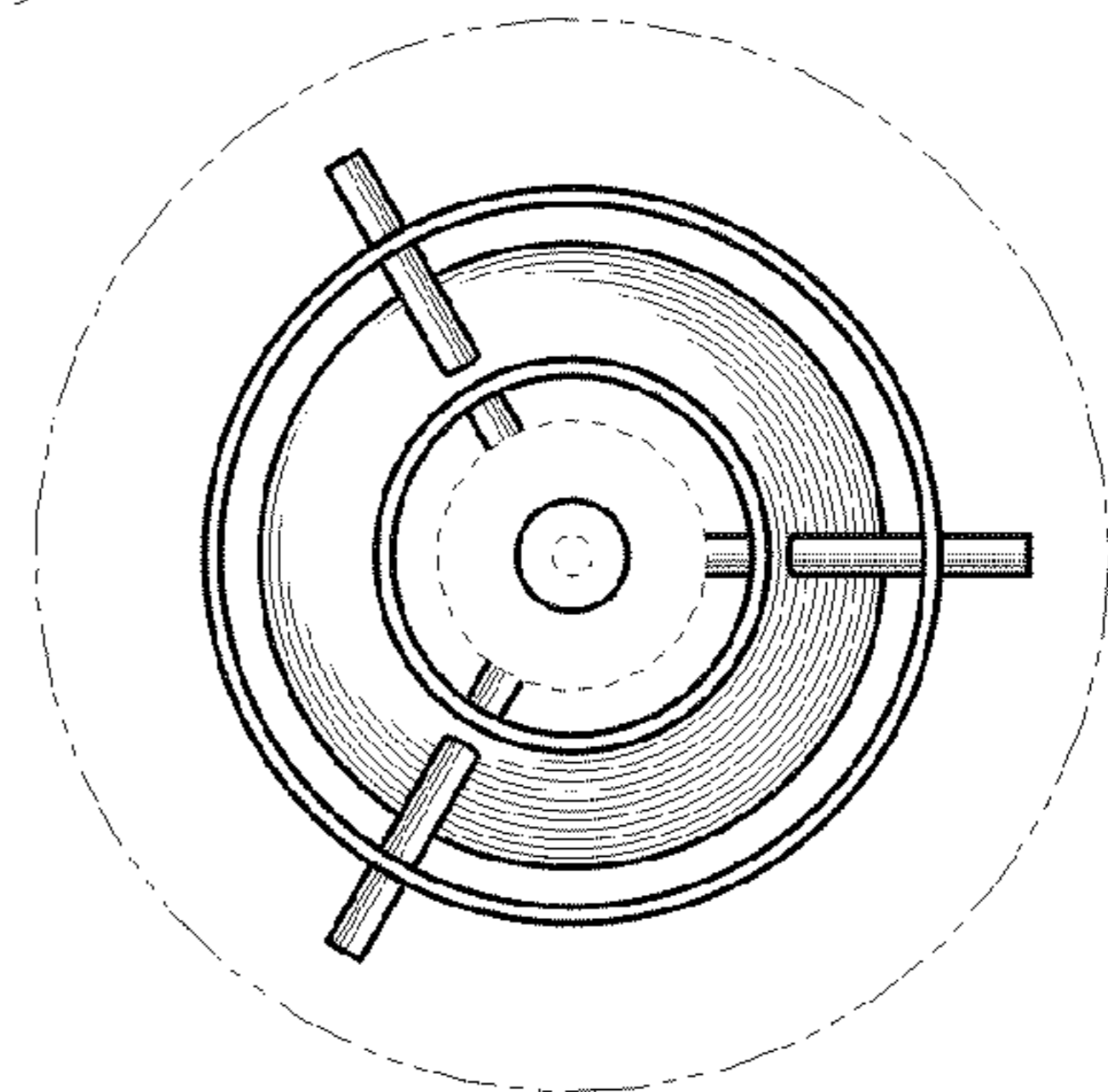


*Fig.2*

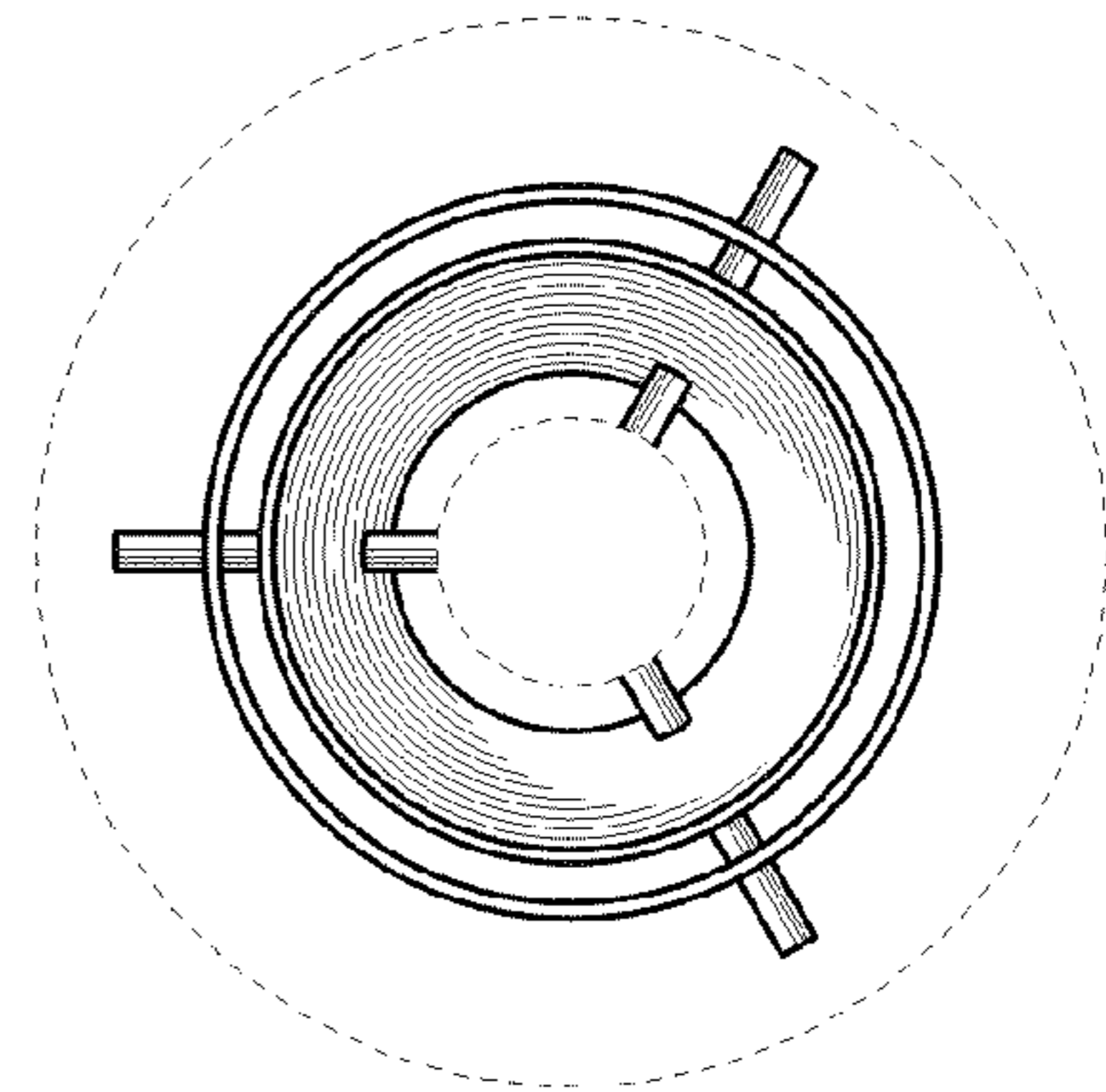


*Fig.3*

*Fig.4*



*Fig.5*



*Fig.6*