



US00D655844S

(12) **United States Design Patent**
Sabernig

(10) **Patent No.:** **US D655,844 S**

(45) **Date of Patent:** **** Mar. 13, 2012**

(54) **LIGHT FIXTURE**

(75) Inventor: **Robert Sabernig**, Munster (AT)

(73) Assignee: **EGLO Leuchten GmbH**, Innsbruck (AT)

(**) Term: **14 Years**

(21) Appl. No.: **29/392,106**

(22) Filed: **May 17, 2011**

(51) **LOC (9) Cl.** **26-05**

(52) **U.S. Cl.** **D26/63**

(58) **Field of Classification Search** D26/60–66,
D26/72, 80–92, 118; 362/145, 147, 211,
362/213, 217.01, 219, 220, 217.05, 242–248,
362/249.14, 368, 249.16, 217.02, 217.09,
362/257, 268, 269, 274, 275, 277, 278, 281–283,
362/285, 287, 288, 362, 371, 404, 418, 427,
362/322, 319, 647, 648, 640, 227, 232, 235–241,
362/249.03, 249.06, 249.07, 249.09, 249.11,
362/249.1, 430

See application file for complete search history.

(56) **References Cited**

U.S. PATENT DOCUMENTS

D541,456 S * 4/2007 Kosche D26/63
D563,579 S * 3/2008 Grimberg et al. D26/61
D566,873 S * 4/2008 Grundl et al. D26/63

D584,446 S * 1/2009 Sabernig D26/88
D585,584 S * 1/2009 Sabernig D26/88
D598,594 S * 8/2009 Behar D26/63
D627,498 S * 11/2010 Chipperfield D26/63
D638,569 S * 5/2011 Heyrman D26/90
D645,186 S * 9/2011 Sabernig D26/63
D646,413 S * 10/2011 Wauters D26/63

* cited by examiner

Primary Examiner — Susan M Lee

Assistant Examiner — Linda G. Brooks

(74) *Attorney, Agent, or Firm* — Baker & McKenzie LLP

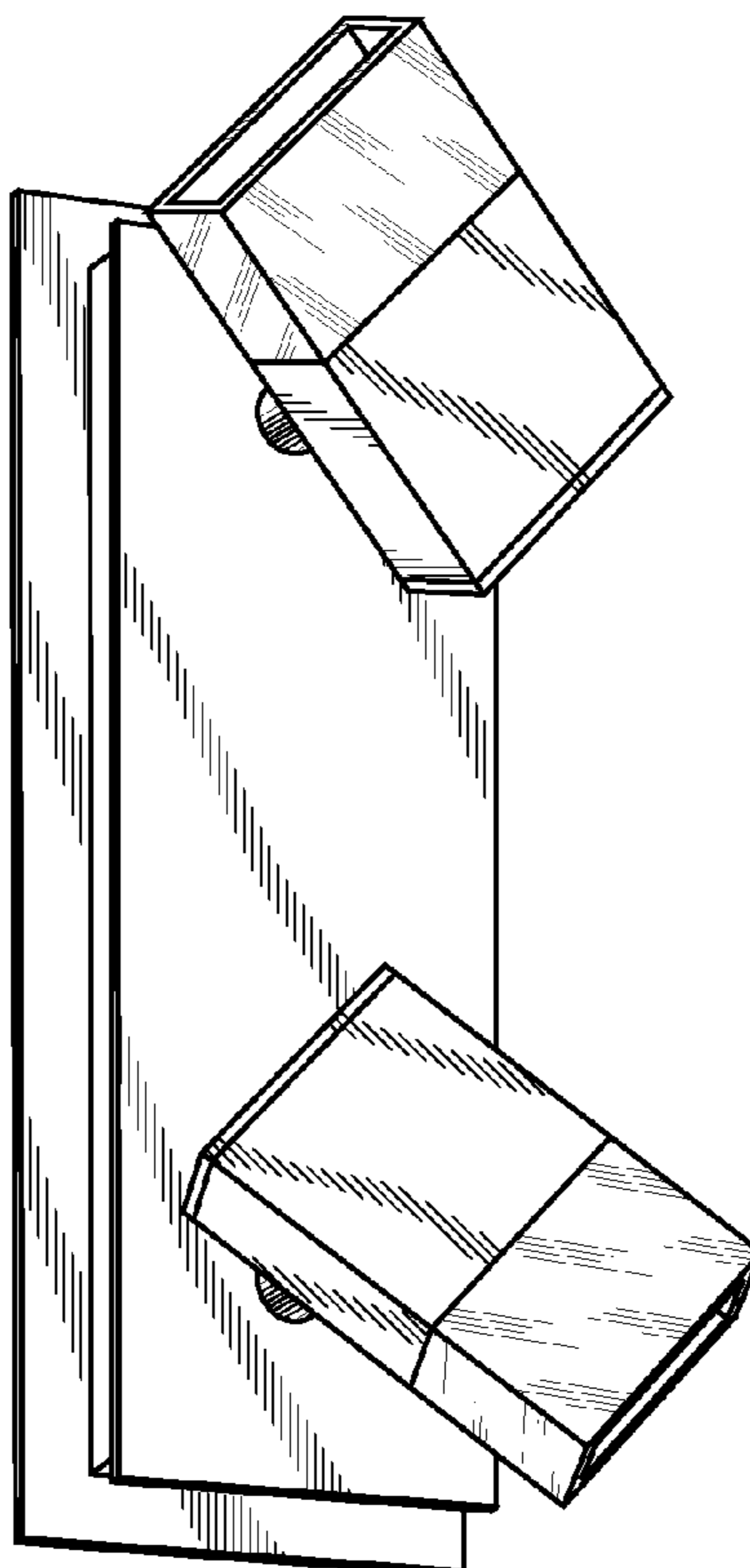
(57) **CLAIM**

The ornamental design for a light fixture, as shown and described.

DESCRIPTION

FIG. 1 is a perspective view of a light fixture in accordance with my design, illustrating movable portions;
FIG. 2 is a front elevation view of the light fixture in accordance with my design, illustrating movable portions;
FIG. 3 is a top plan view of the light fixture in accordance with my design, illustrating movable portions;
FIG. 4 is a bottom plan view of the light fixture in accordance with my design, illustrating movable portions;
FIG. 5 is a left-side elevation view of the light fixture in accordance with my design, illustrating movable portions;
and,
FIG. 6 is a right-side elevation view of the light fixture in accordance with my design, illustrating movable portions.

1 Claim, 2 Drawing Sheets



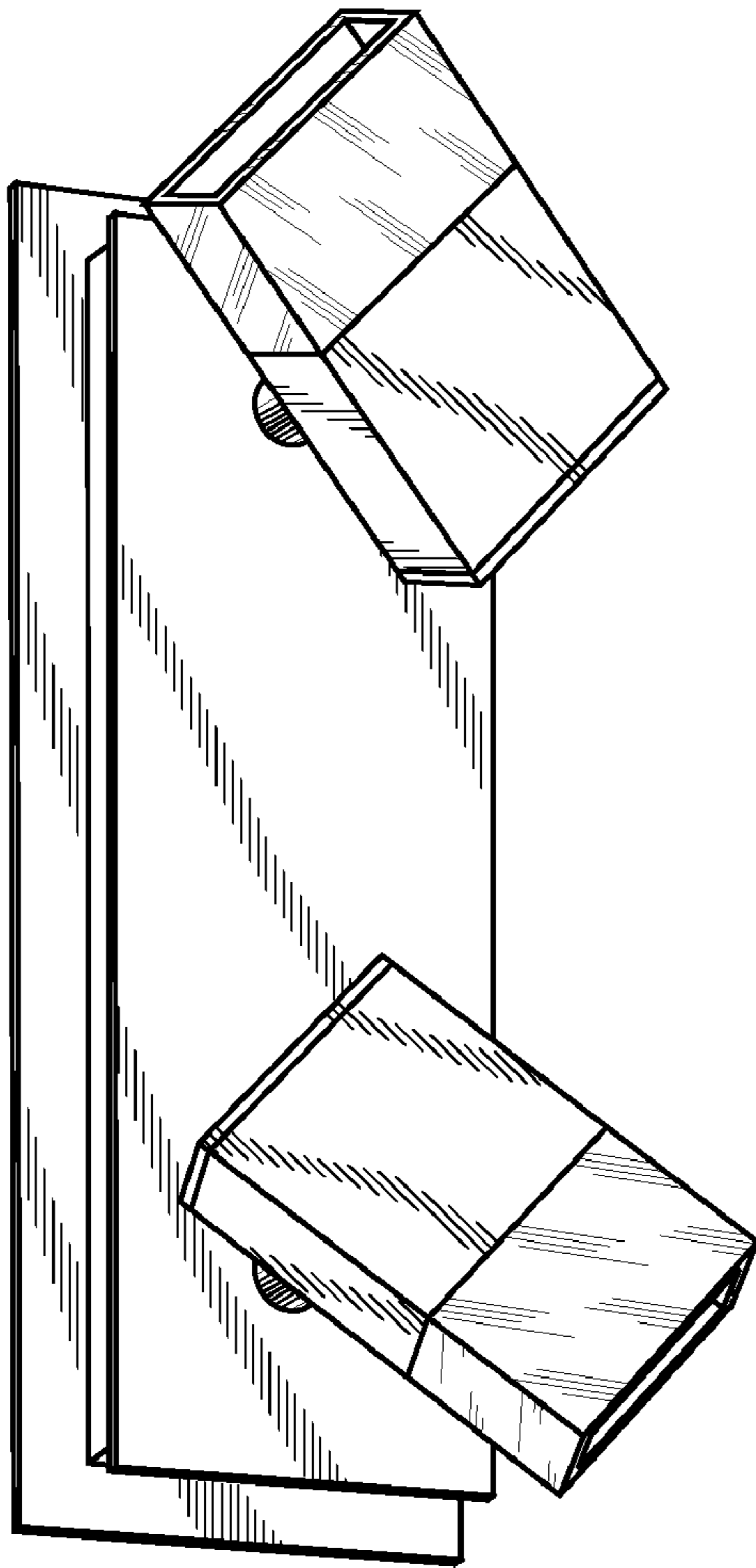


Fig.1

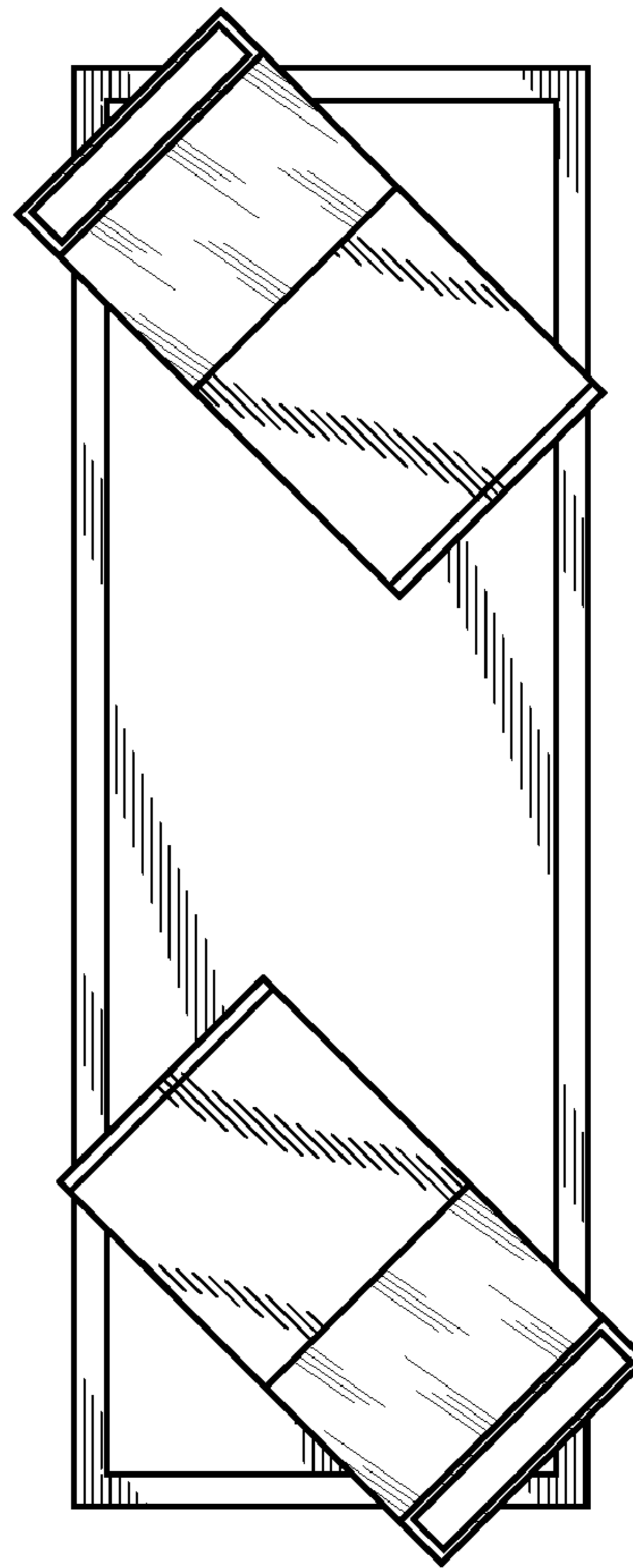


Fig.2

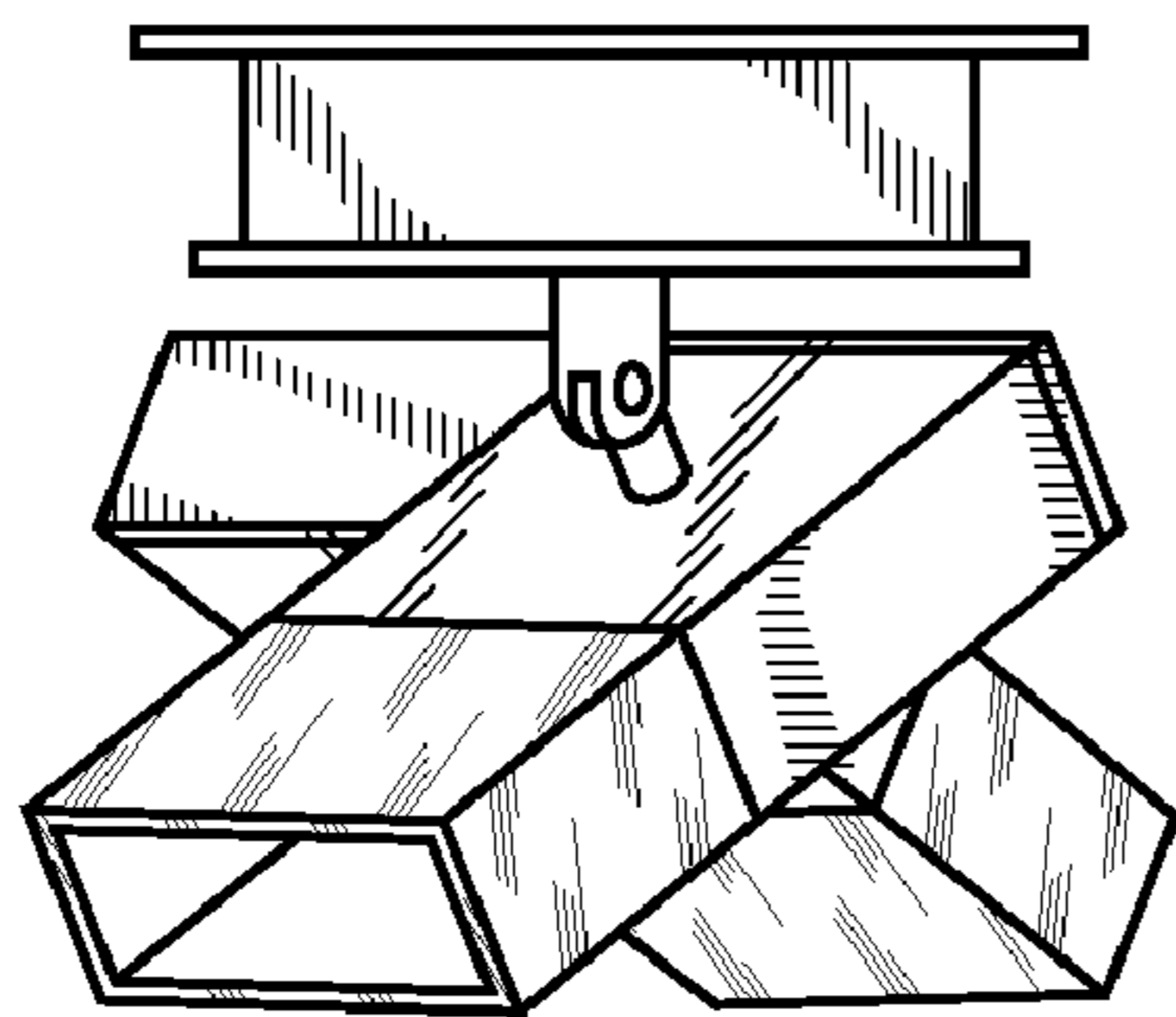


Fig.3

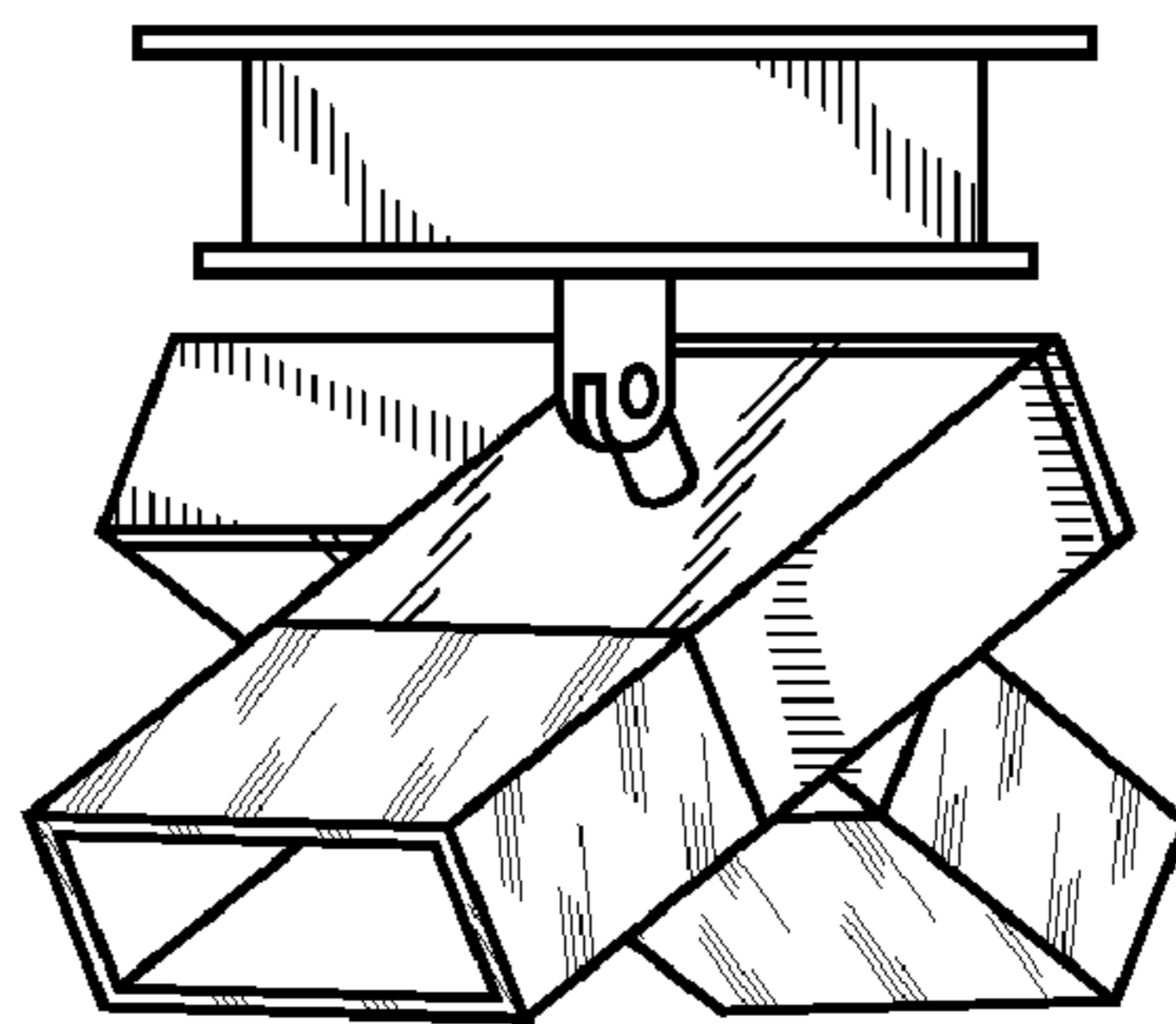


Fig.4

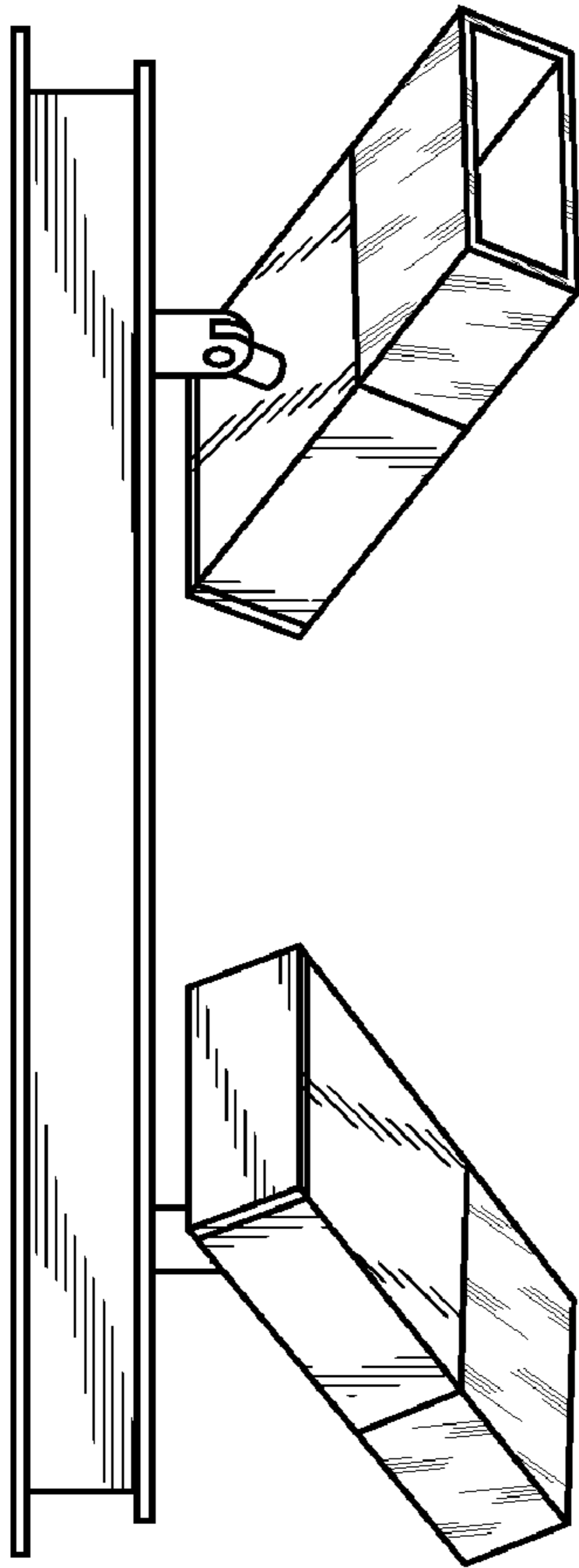


Fig.5

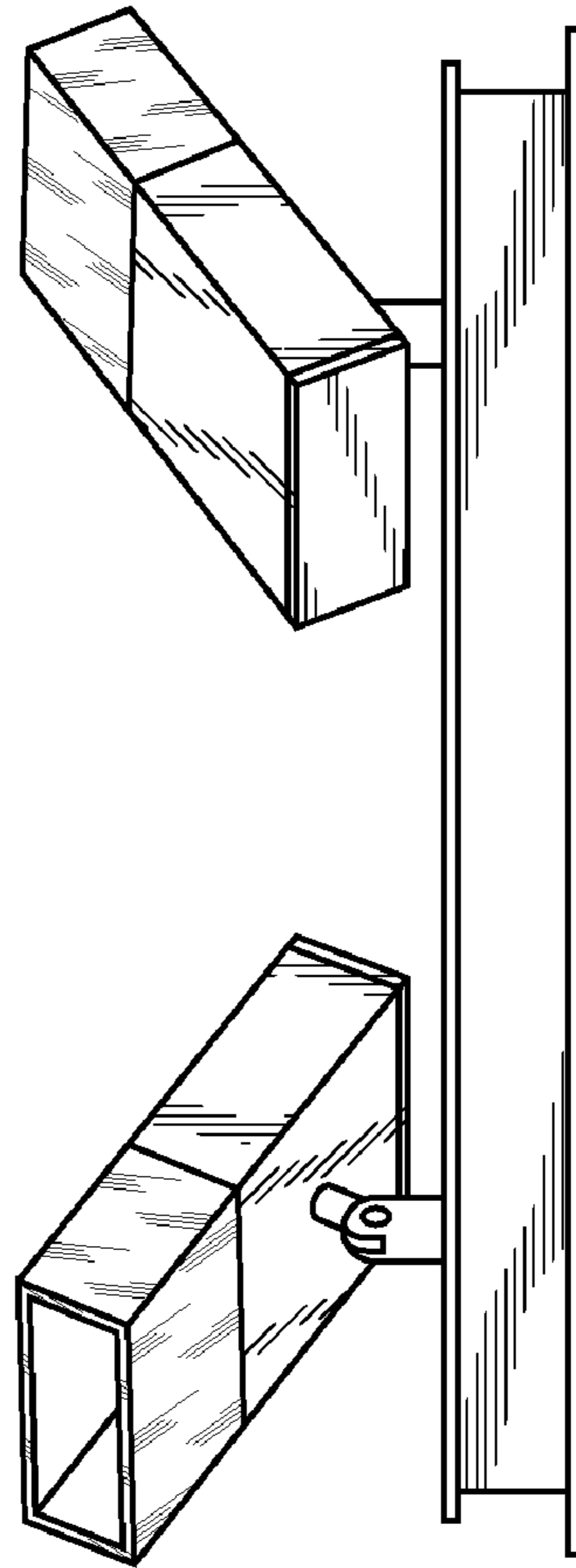


Fig.6