



US00D655842S

(12) **United States Design Patent**
Sabernig

(10) **Patent No.:** **US D655,842 S**

(45) **Date of Patent:** **** Mar. 13, 2012**

(54) **LIGHT FIXTURE**

(75) **Inventor:** **Robert Sabernig**, Munster (AT)

(73) **Assignee:** **EGLO Leuchten GmbH**, Innsbruck (AT)

(**) **Term:** **14 Years**

(21) **Appl. No.:** **29/392,100**

(22) **Filed:** **May 17, 2011**

(51) **LOC (9) Cl.** **26-05**

(52) **U.S. Cl.** **D26/63**

(58) **Field of Classification Search** D26/60-66,
D26/72, 80-92, 118; 362/145, 147, 211,
362/213, 217.01, 219, 220, 217.05, 242-248,
362/249.14, 368, 249.16, 217.02, 217.09,
362/257, 268, 269, 274, 275, 277, 278, 281-283,
362/285, 287, 288, 362, 371, 404, 418, 427,
362/322, 319, 647, 648, 640, 227, 232, 235-241,
362/249.03, 249.06, 249.07, 249.09, 249.11,
362/249.1, 430

See application file for complete search history.

(56) **References Cited**

U.S. PATENT DOCUMENTS

D541,456 S *	4/2007	Kosche	D26/63
D563,579 S *	3/2008	Grimberg	D26/61
D584,446 S *	1/2009	Sabernig	D26/88
D585,584 S *	1/2009	Sabernig	D26/88
D598,594 S *	8/2009	Behar	D26/63
D627,498 S *	11/2010	Chipperfield	D26/63
D645,186 S *	9/2011	Sabernig	D26/63

* cited by examiner

Primary Examiner — Susan M Lee

Assistant Examiner — Linda G Brooks

(74) *Attorney, Agent, or Firm* — Baker & McKenzie LLP

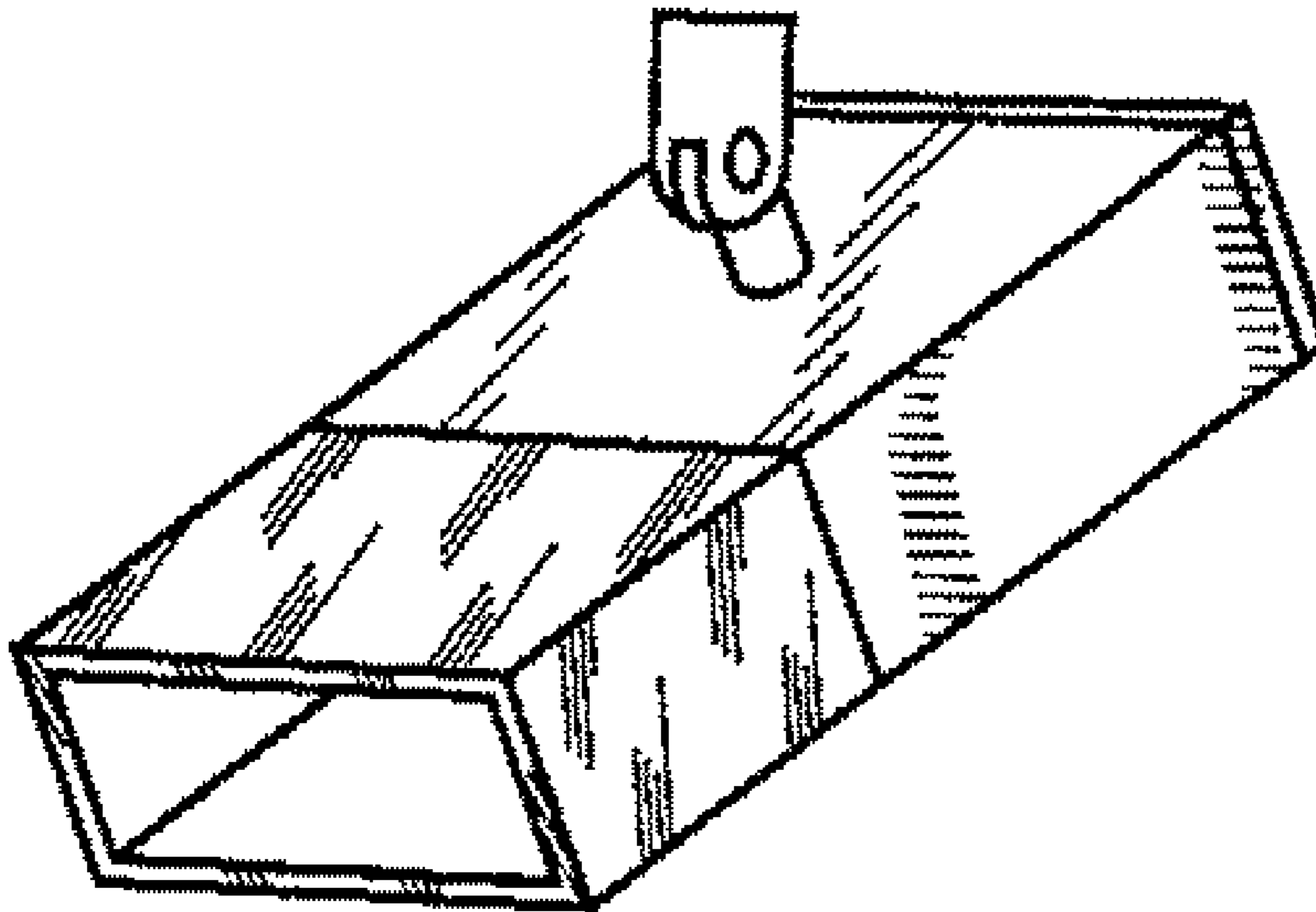
(57) **CLAIM**

The ornamental design for a light fixture, as shown and described.

DESCRIPTION

FIG. 1 is a front elevation view of a light fixture in accordance with my design, illustrating movable portions;
FIG. 2 is a rear elevation view of the light fixture in accordance with my design, illustrating movable portions;
FIG. 3 is a bottom plan view of the light fixture in accordance with my design, illustrating movable portions; and,
FIG. 4 is a top plan view of the light fixture in accordance with my design, illustrating movable portions.

1 Claim, 1 Drawing Sheet



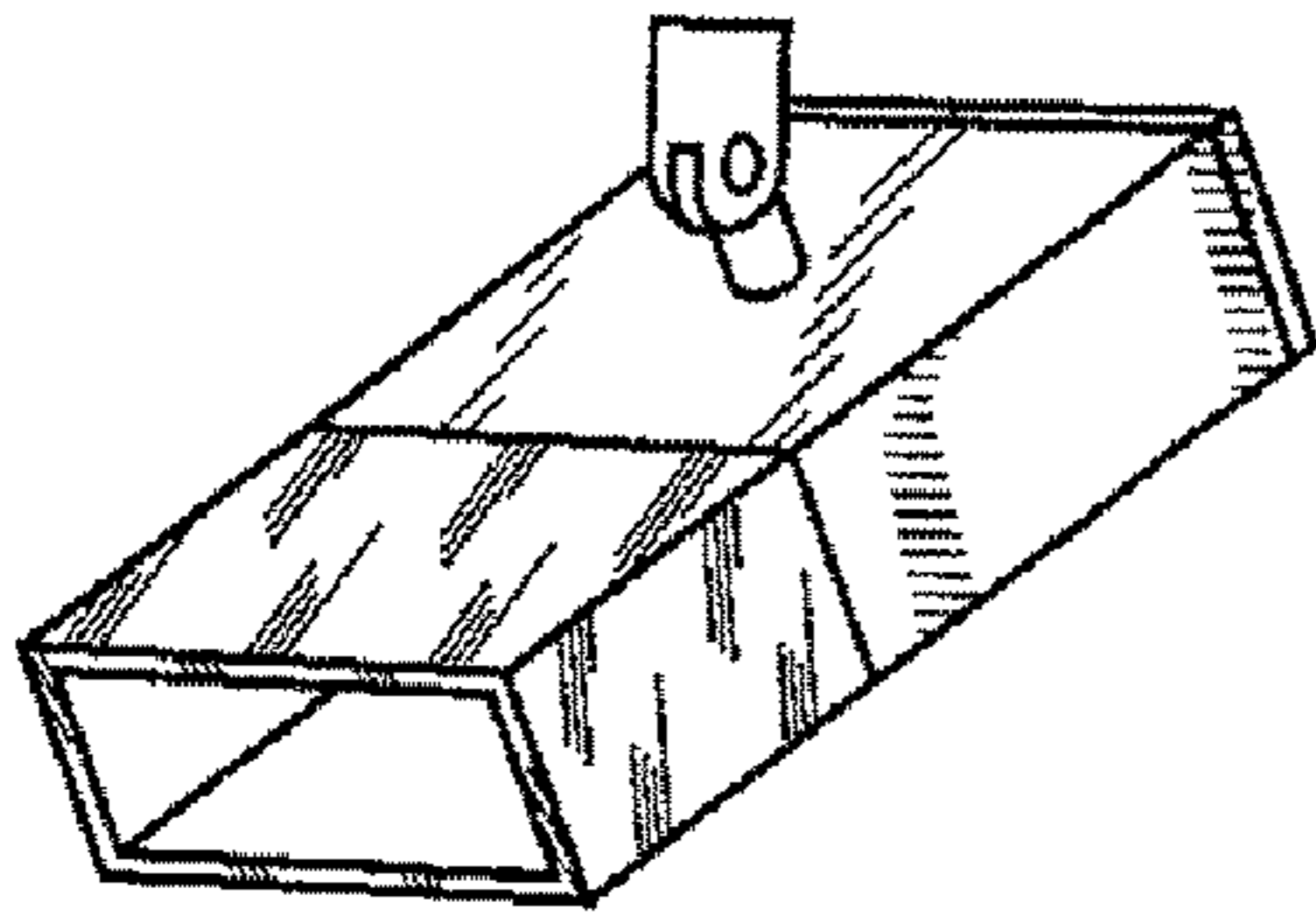


Fig.1

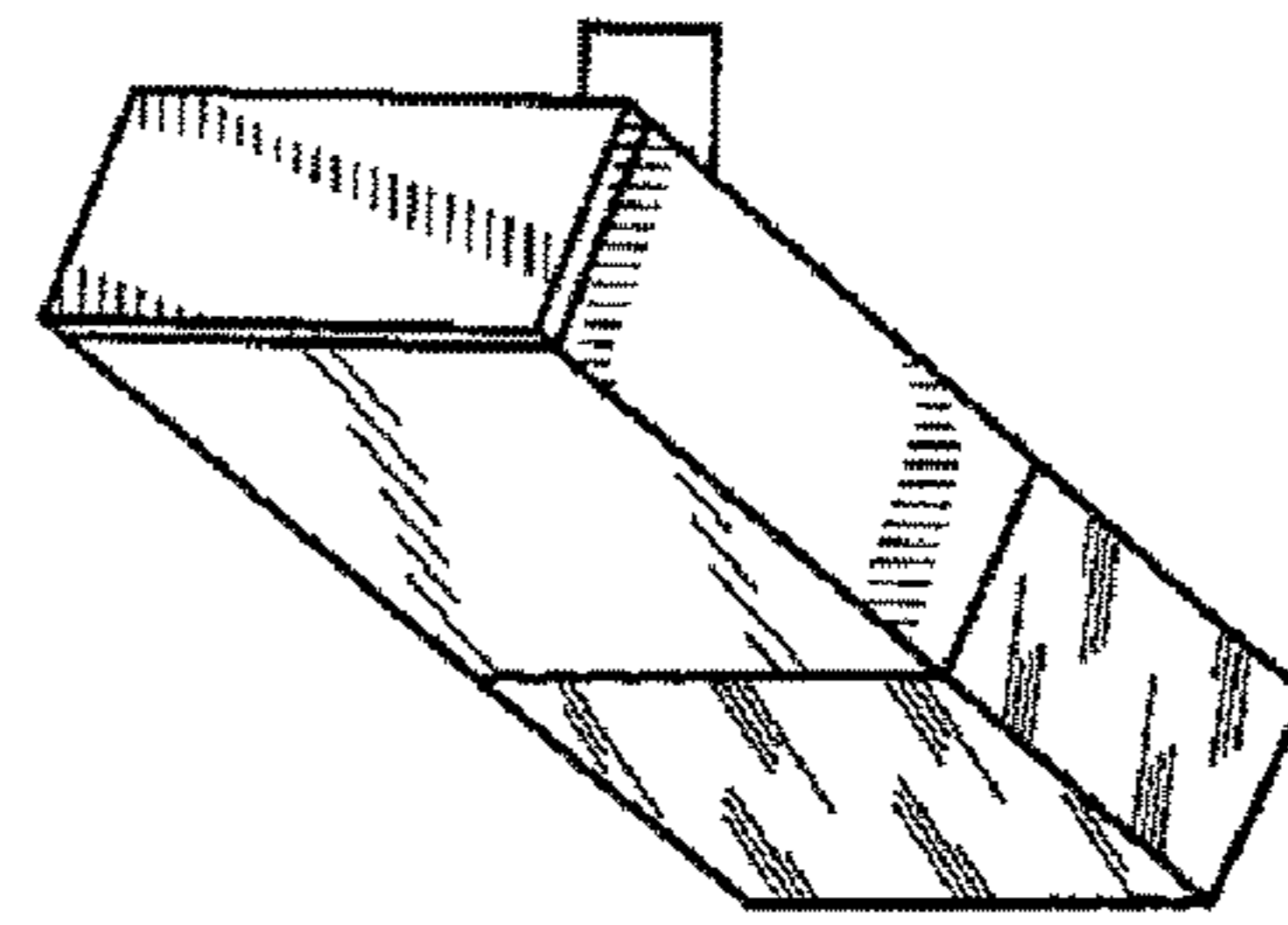


Fig.2

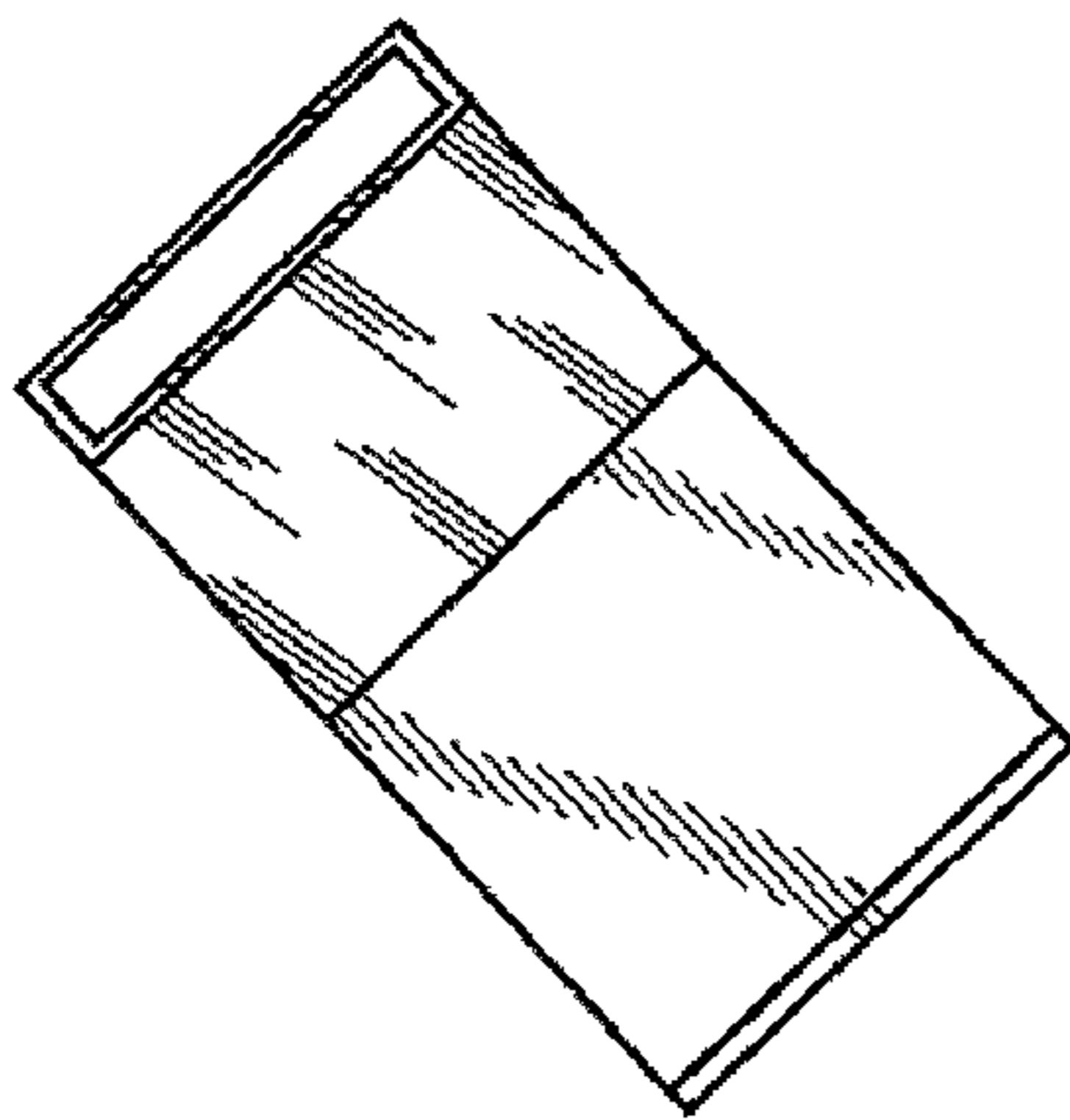


Fig.3

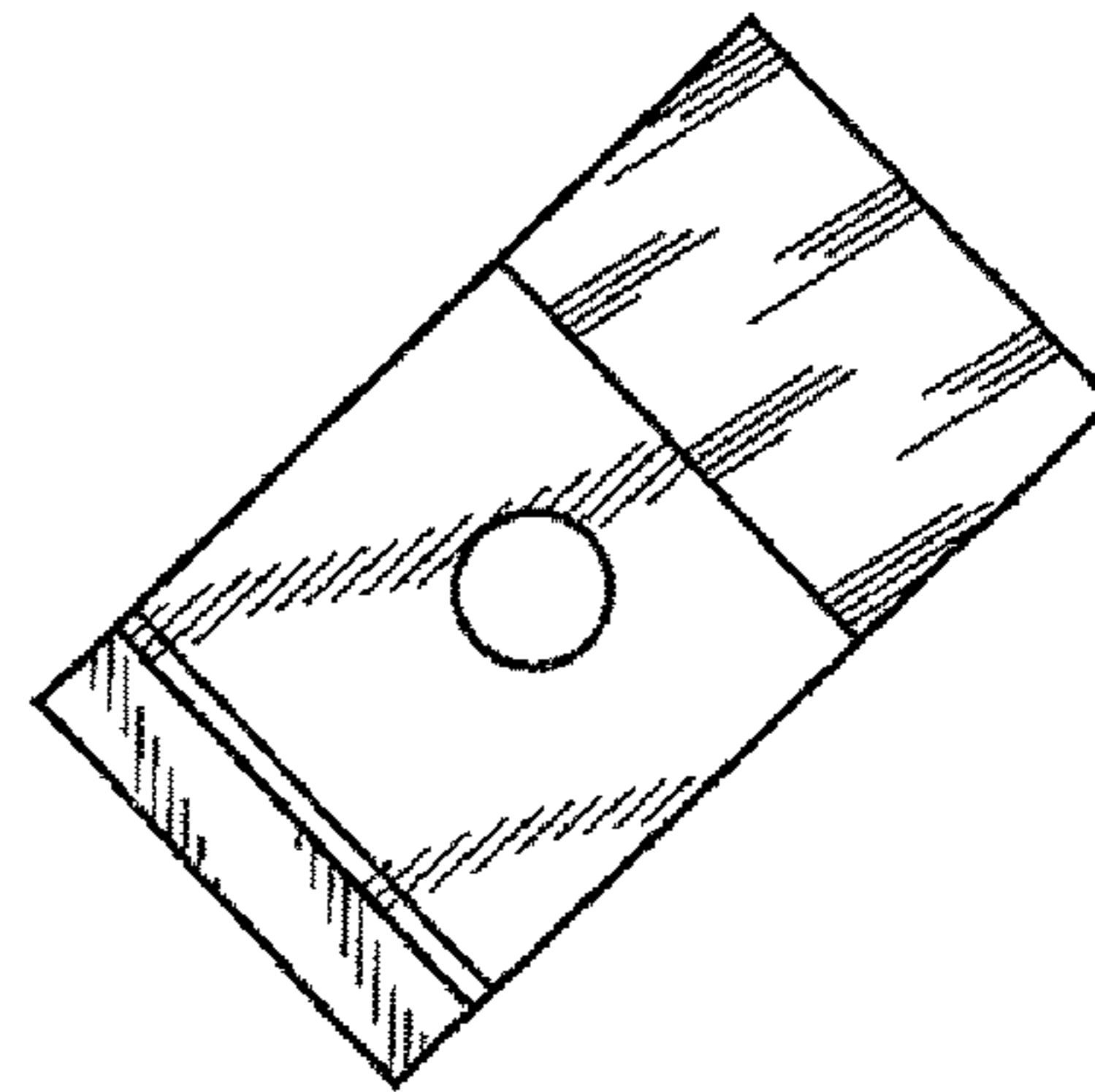


Fig.4