



US00D655841S

(12) **United States Design Patent**  
**Coleman, Jr.**

(10) **Patent No.:** **US D655,841 S**  
(45) **Date of Patent:** **\*\* Mar. 13, 2012**

(54) **PIVOTING MAGNETIC LIGHT**

(75) **Inventor:** **Edward S Coleman, Jr.**, Ridgefield, CT (US)

(73) **Assignee:** **Ullman Devices Corporation**, Ridgefield, CT (US)

(\*\*) **Term:** **14 Years**

(21) **Appl. No.:** **29/387,529**

(22) **Filed:** **Mar. 15, 2011**

(51) **LOC (9) Cl.** ..... **26-05**

(52) **U.S. Cl.** ..... **D26/63**

(58) **Field of Classification Search** ..... D26/60-66,  
D26/104, 106, 108, 110, 112, 51; 362/157,  
362/158, 188, 647, 253, 257, 267, 269, 270,  
362/274, 277, 278, 282, 285, 287, 288, 310,  
362/311.01, 311.02, 319, 322, 398, 410,  
362/413, 414, 418, 427, 286, 449, 652, 190,  
362/191, 401

See application file for complete search history.

(56) **References Cited**

U.S. PATENT DOCUMENTS

D346,234	S	*	4/1994	Sammis	.....	D26/63
D493,557	S	*	7/2004	Kessler et al.	.....	D26/63
D552,284	S	*	10/2007	Kosche et al.	.....	D26/63
D617,930	S	*	6/2010	Chen	.....	D26/63
D617,931	S	*	6/2010	Chen	.....	D26/63
7,862,197	B2	*	1/2011	Gebhard	.....	362/191

\* cited by examiner

*Primary Examiner* — Susan M Lee

*Assistant Examiner* — Linda G. Brooks

(74) *Attorney, Agent, or Firm* — Bachman & LaPointe, P.C.

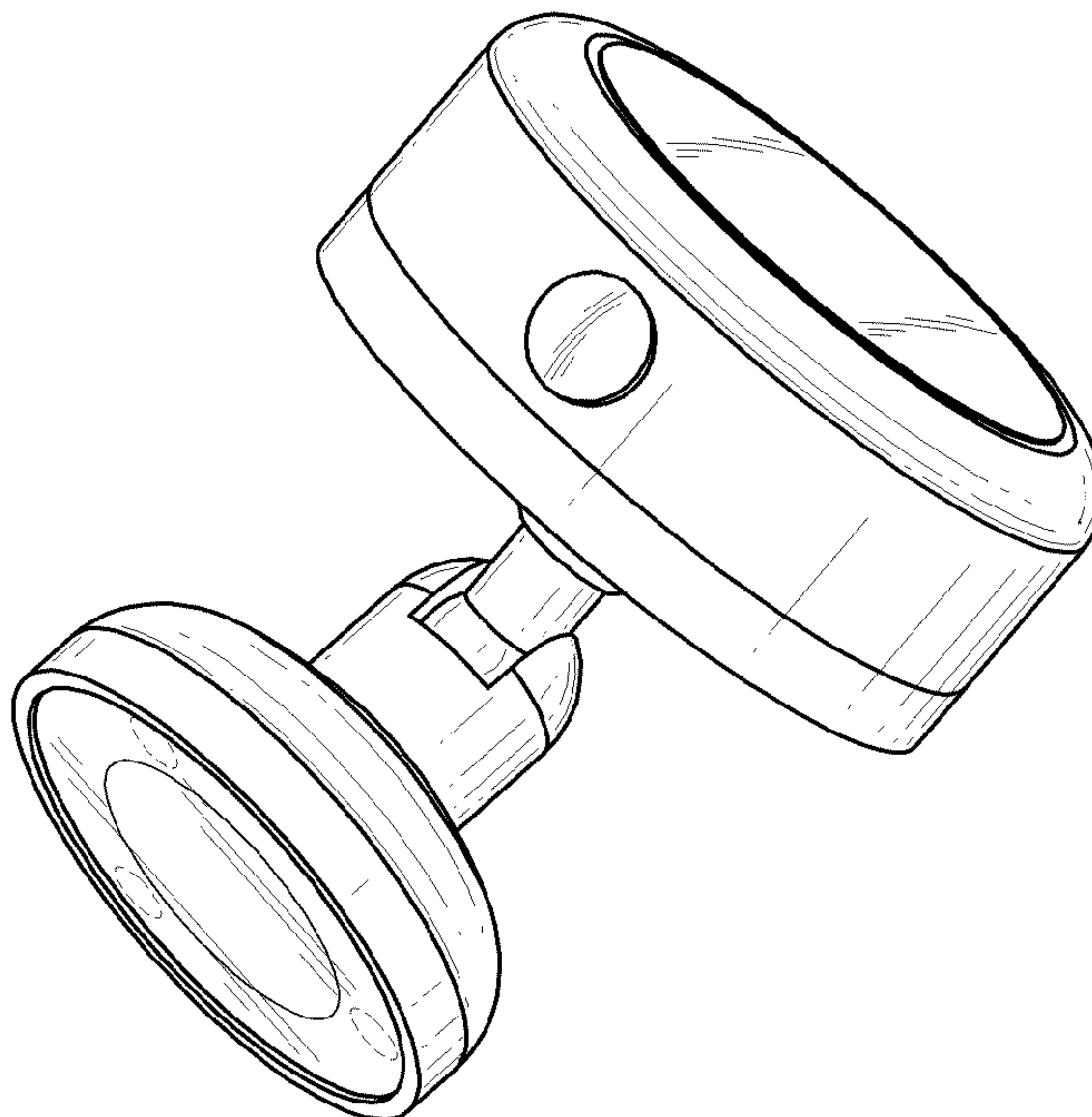
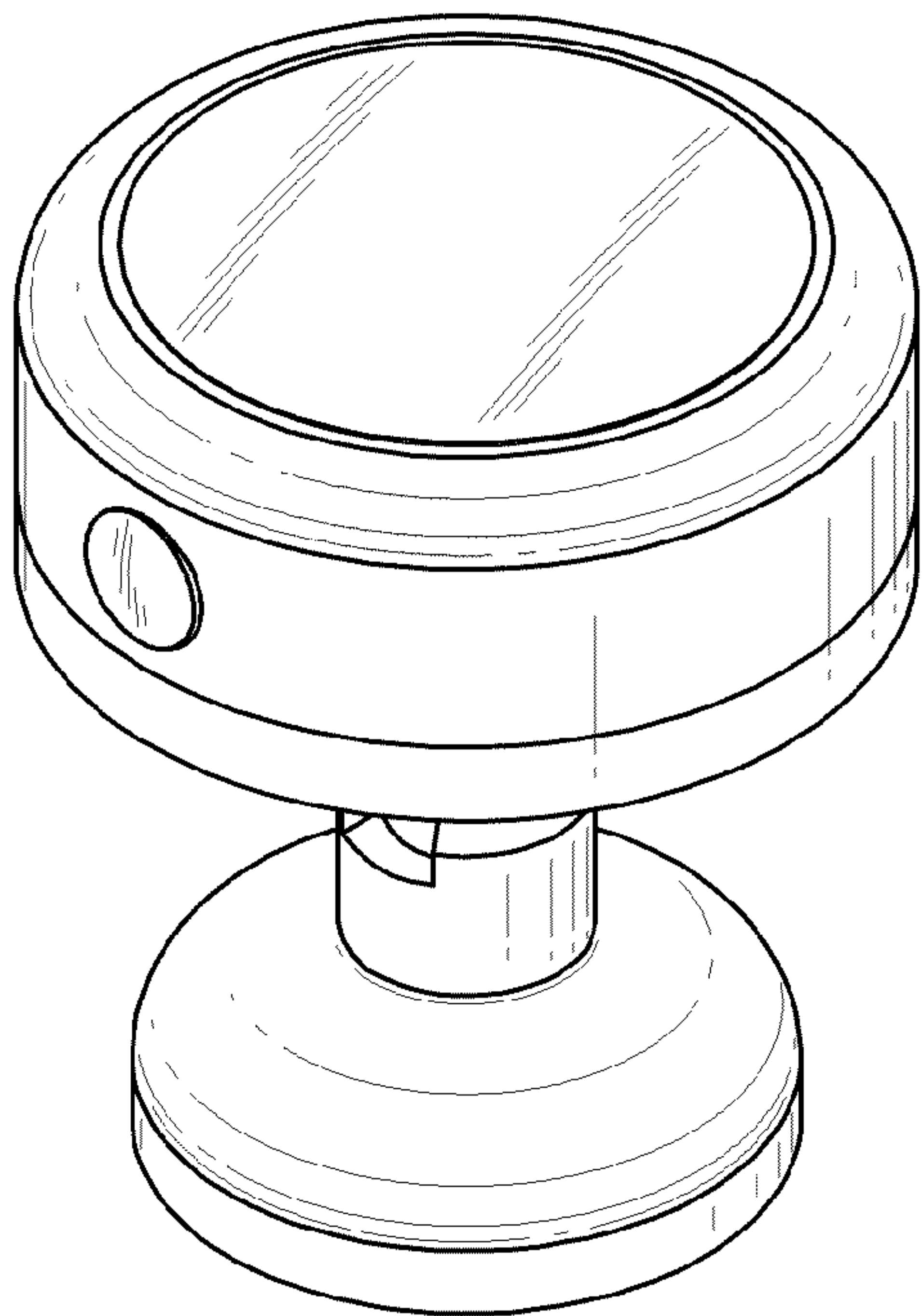
(57) **CLAIM**

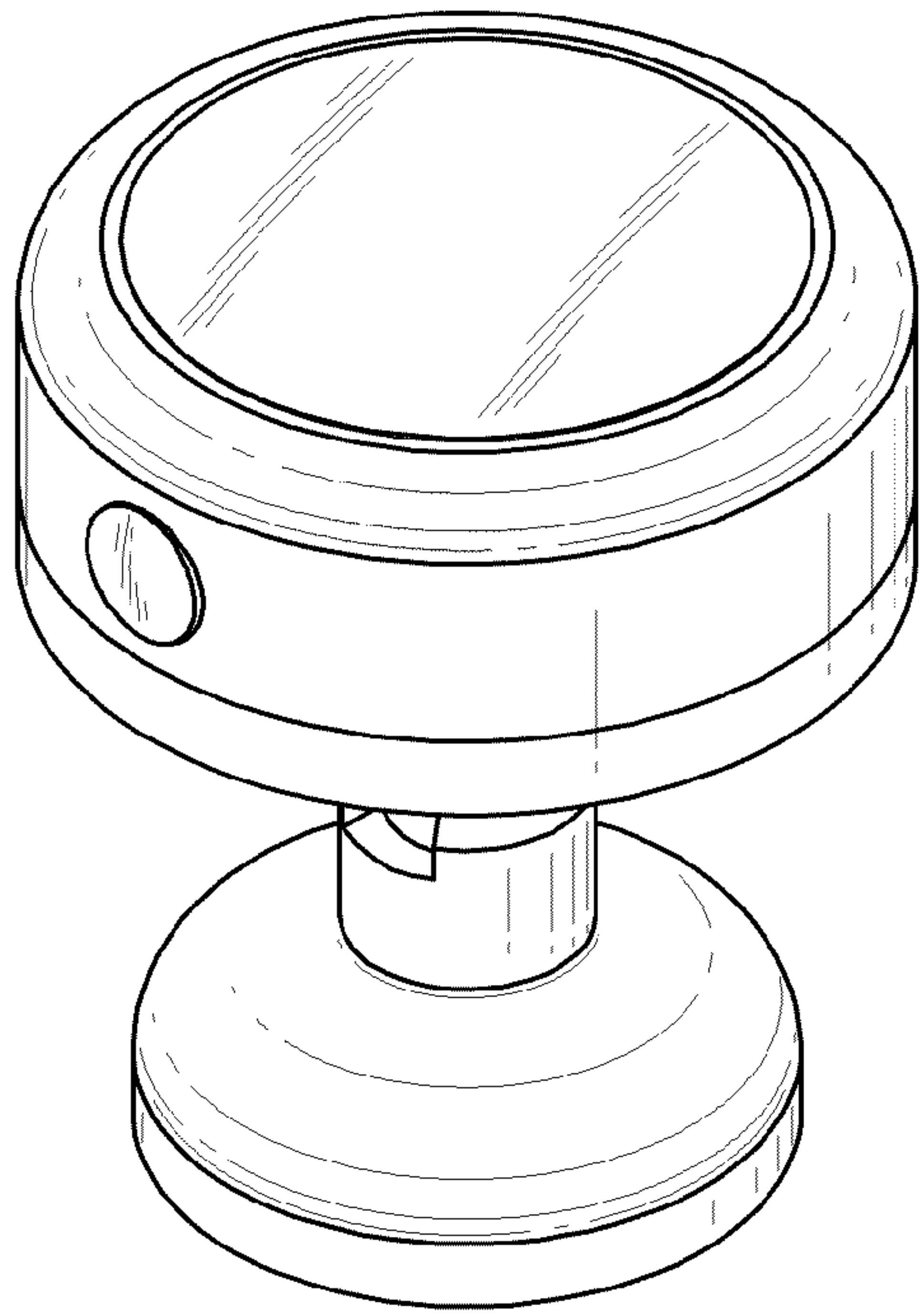
The ornamental design for a pivoting magnetic light, as shown and described.

**DESCRIPTION**

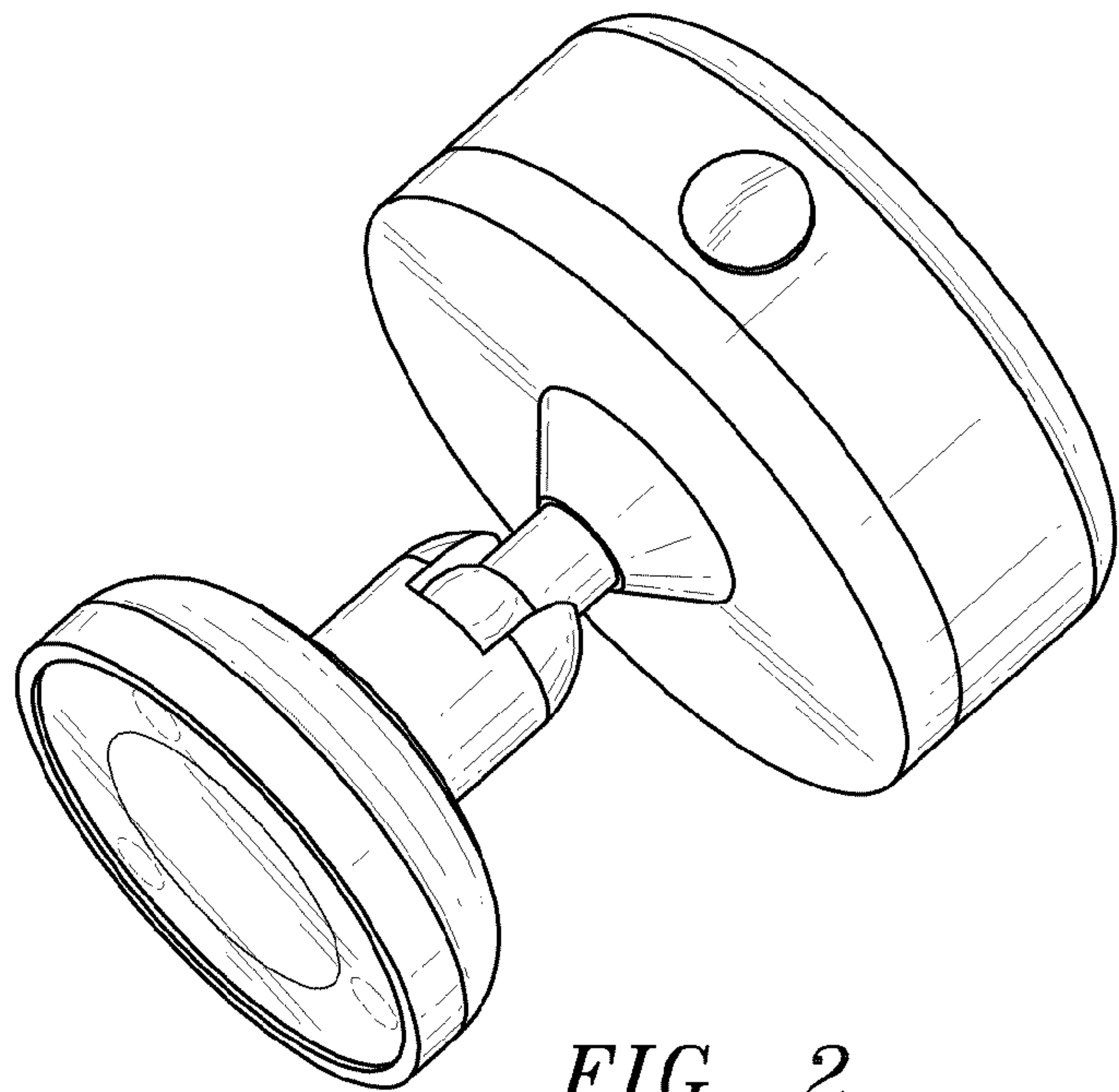
FIG. 1 is a top perspective view of the ornamental design of a pivoting magnetic light according to the invention; FIG. 2 is a reverse perspective view of the design of FIG. 1; FIG. 3 is a side view of the design of FIG. 1; FIG. 4 is a further side view of the design of FIG. 1; FIG. 5 is a top view of the design of FIG. 1; FIG. 6 is a bottom view of the design of FIG. 1; and, FIG. 7 is a further perspective view of the design of FIG. 1 with the light in a pivoted position.

**1 Claim, 2 Drawing Sheets**

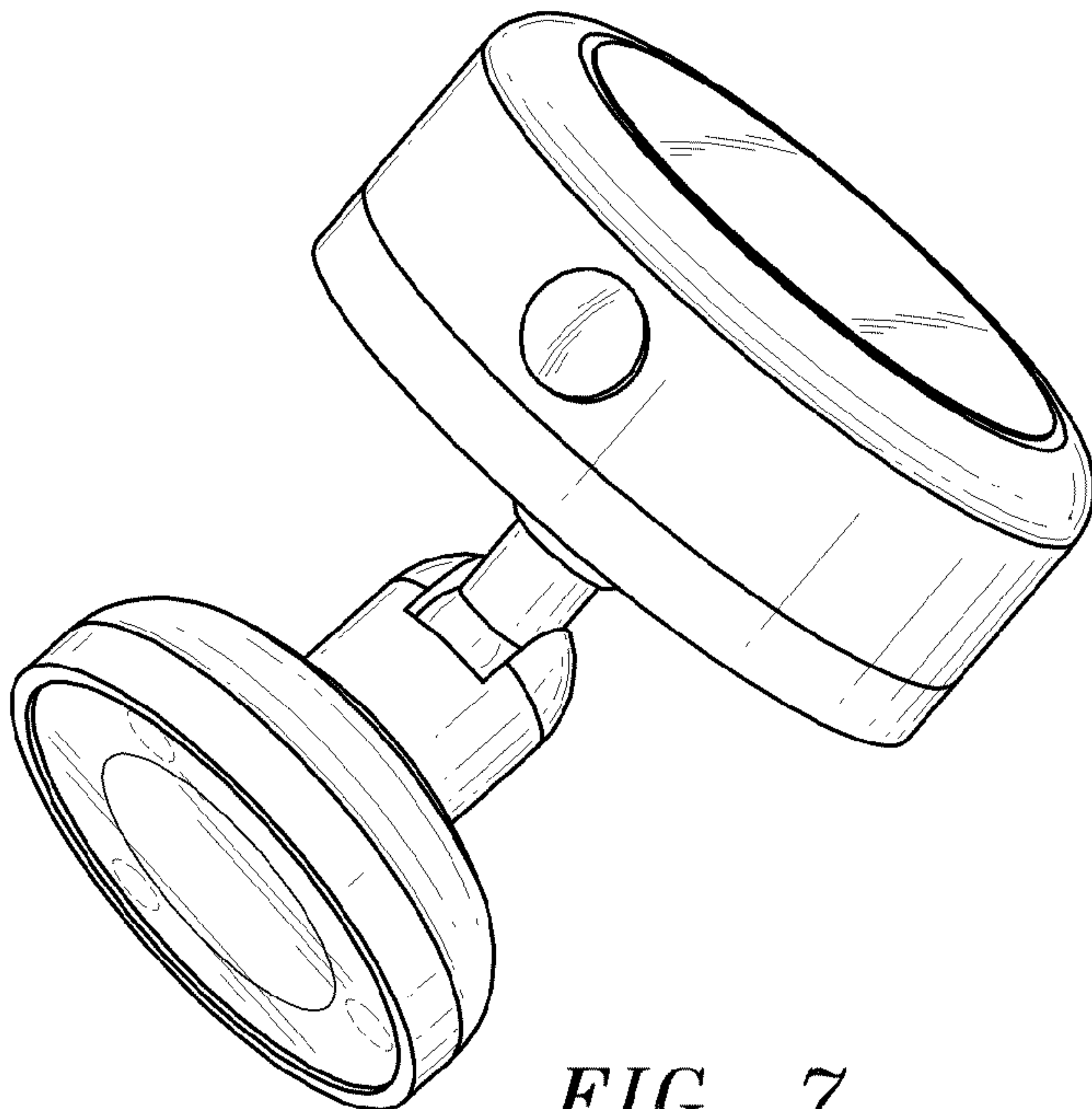




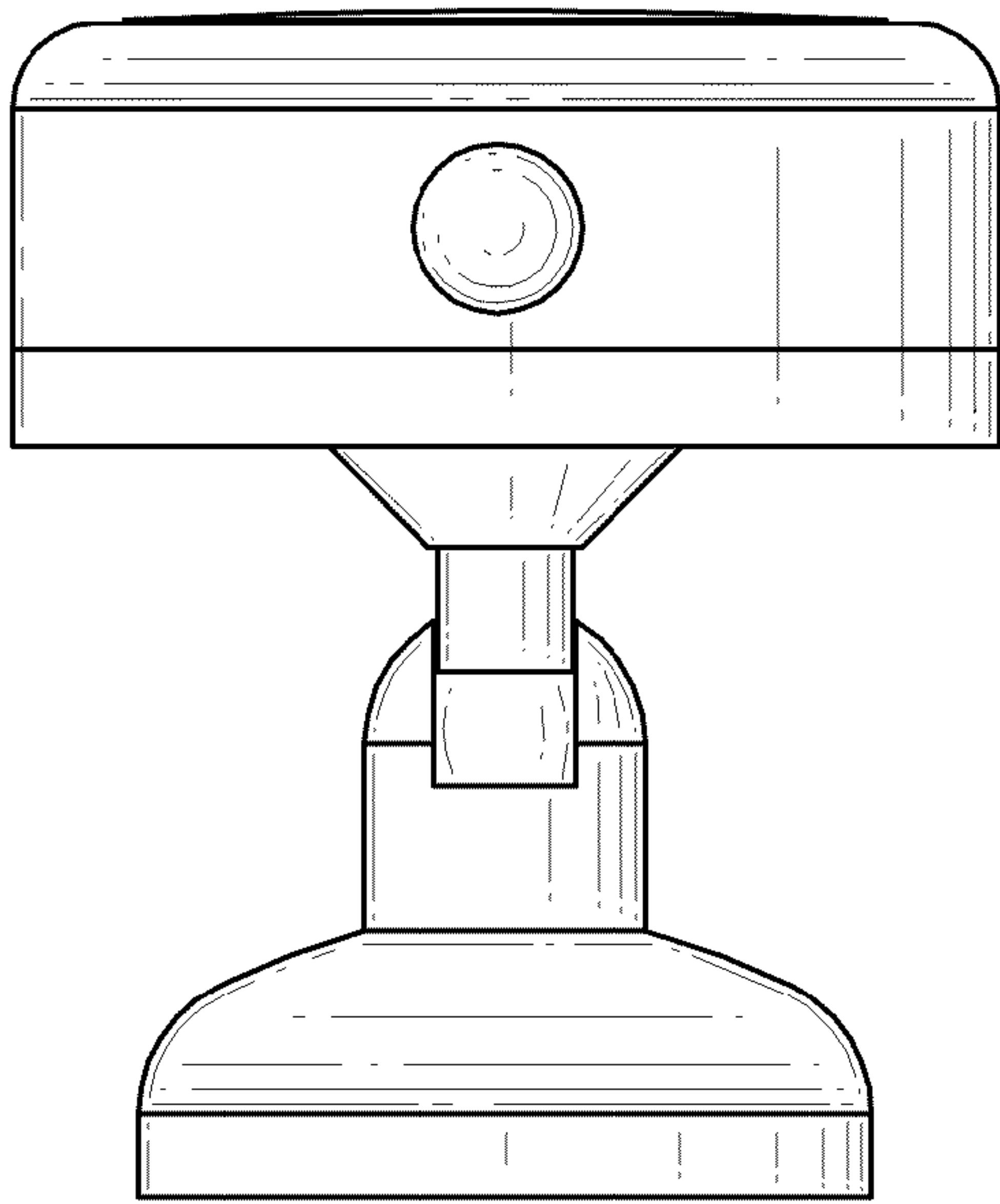
*FIG. 1*



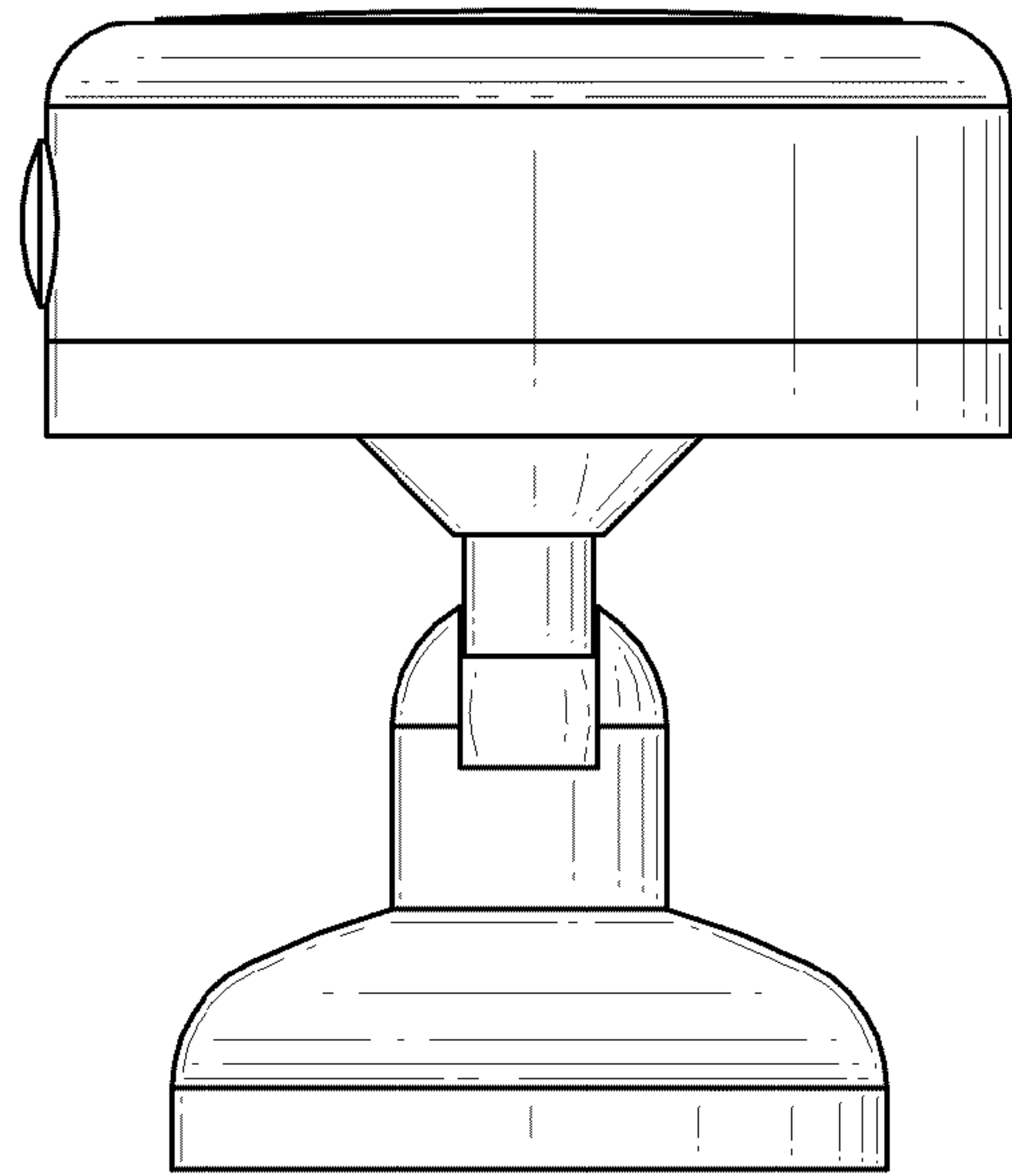
*FIG. 2*



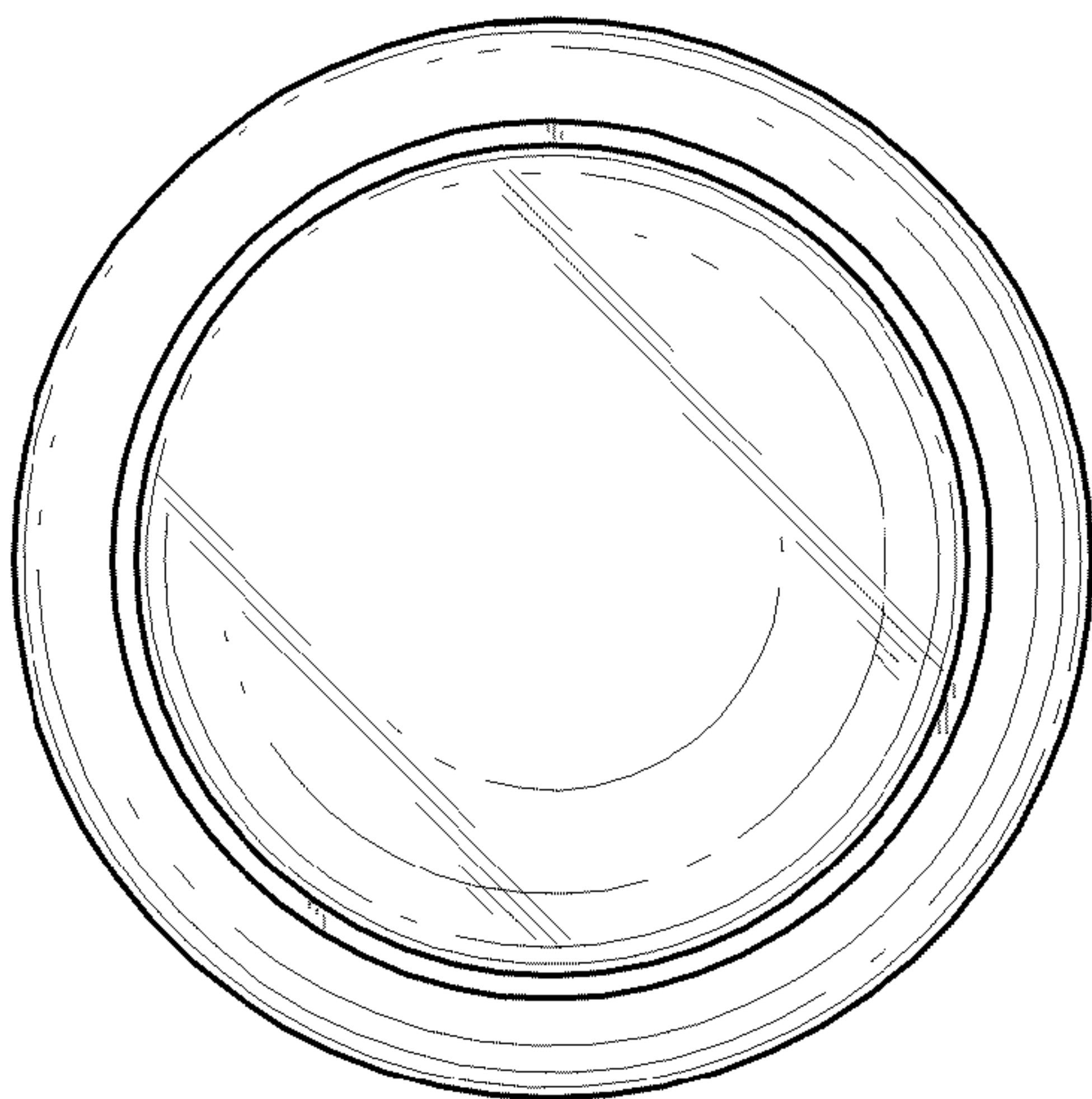
*FIG. 7*



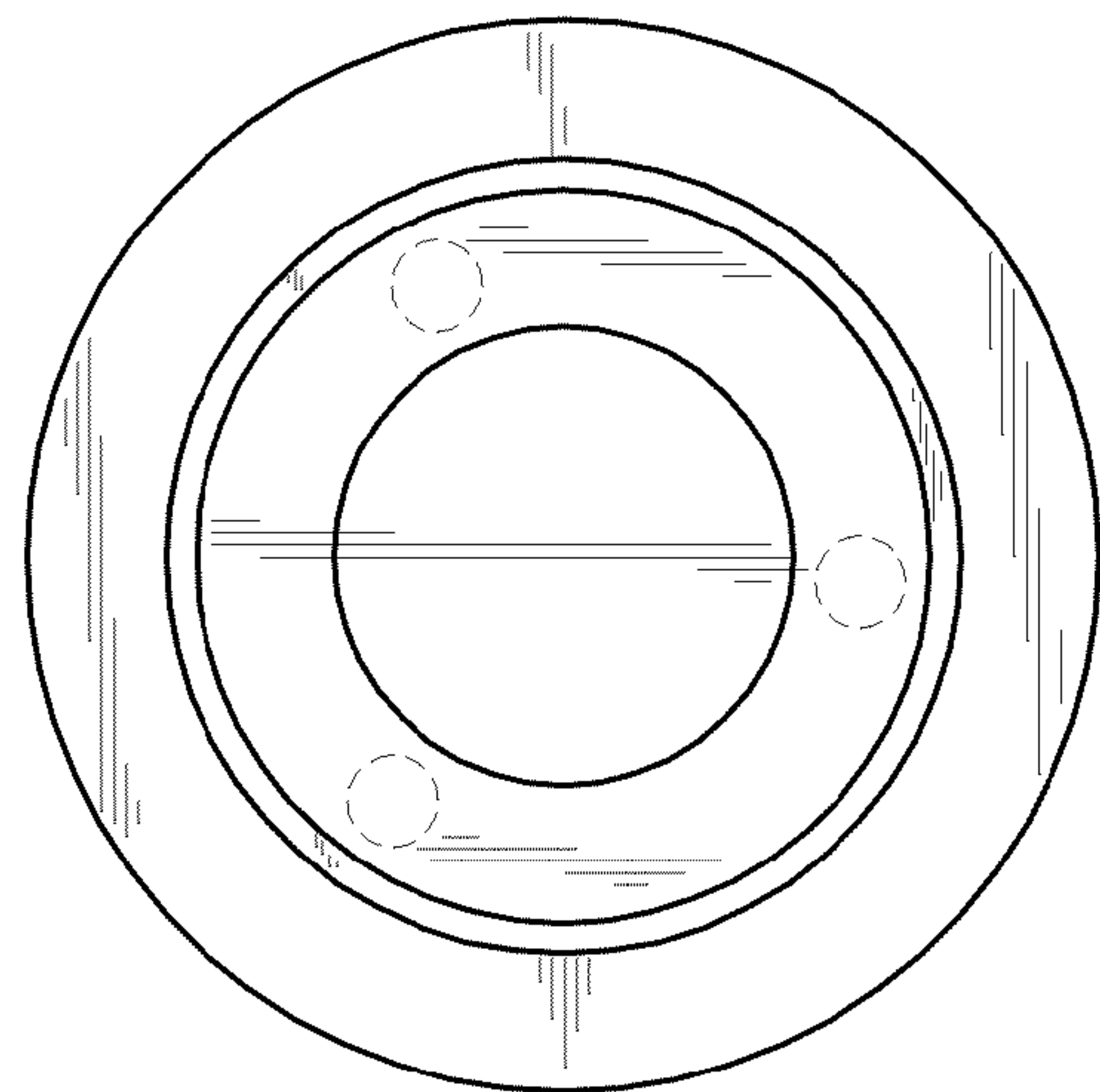
*FIG. 3*



*FIG. 4*



*FIG. 5*



*FIG. 6*