



US00D655840S

(12) **United States Design Patent**
Heaton et al.

(10) **Patent No.:** **US D655,840 S**
(45) **Date of Patent:** **** Mar. 13, 2012**

(54) **ADJUSTABLE LIGHTING FIXTURE ASSEMBLY**

(75) Inventors: **Steven T. Heaton**, Oskaloosa, IA (US);
Chris P. Lickiss, Newton, IA (US);
Luke C. McKee, Oskaloosa, IA (US)

(73) Assignee: **Musco Corporation**, Oskaloosa, IA (US)

(**) Term: **14 Years**

(21) Appl. No.: **29/385,666**

(22) Filed: **Feb. 17, 2011**

(51) **LOC (9) Cl.** **26-05**

(52) **U.S. Cl.** **D26/63**

(58) **Field of Classification Search** D26/60-66,
D26/93, 102, 106-109; 362/410-414, 211,
362/213, 227, 236-239, 241, 249.01, 249.07,
362/153, 153.1, 418, 431, 427, 265, 294
See application file for complete search history.

(56) **References Cited**

U.S. PATENT DOCUMENTS

| | | | | | |
|-----------|-----|---------|--------------|-------|------------|
| 3,643,079 | A * | 2/1972 | Glickman | | 362/249.09 |
| 4,190,881 | A | 2/1980 | Drost et al. | | |
| D254,694 | S | 4/1980 | Drost et al. | | |
| D257,891 | S * | 1/1981 | Drost et al. | | D26/69 |
| 4,363,084 | A * | 12/1982 | Dimiceli | | 362/249.01 |
| 4,423,471 | A | 12/1983 | Gordin | | |
| D272,656 | S * | 2/1984 | Parker | | D26/65 |

(Continued)

Primary Examiner — Susan M Lee
Assistant Examiner — Linda G. Brooks

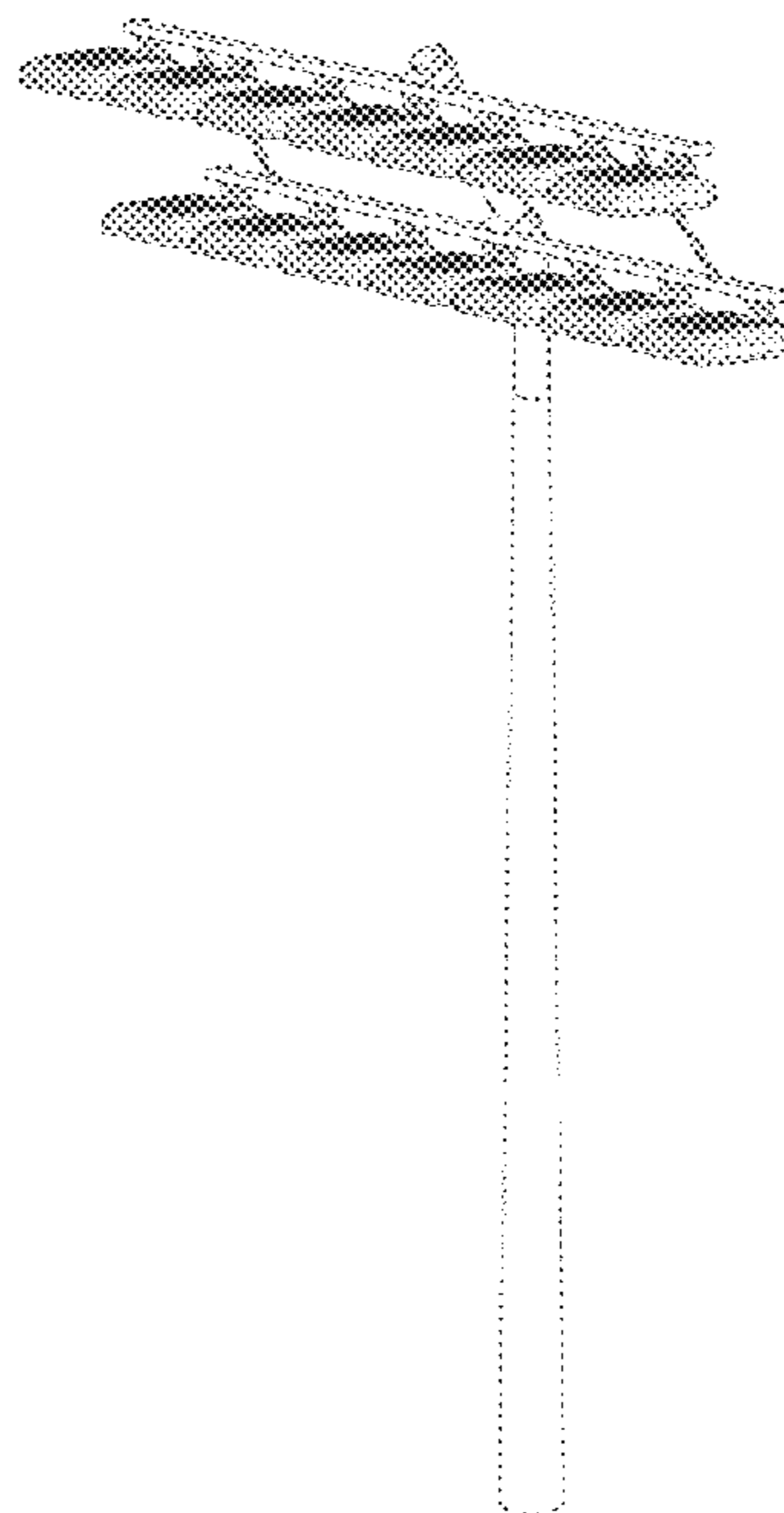
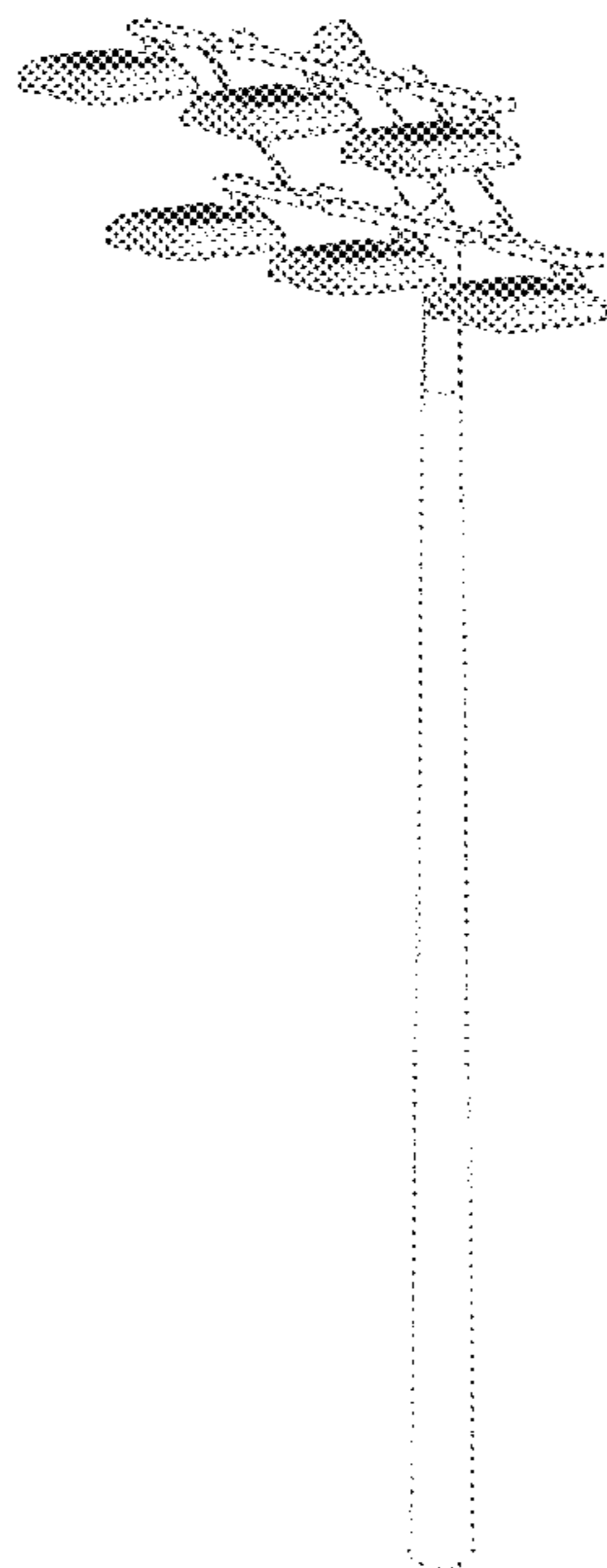
(74) *Attorney, Agent, or Firm* — McKee, Voorhees & Sease, P.L.C.

(57) **CLAIM**
The ornamental design for an adjustable lighting fixture assembly, as shown and described.

DESCRIPTION

FIG. 1 is a perspective view of the design shown in a typical environment in which it is used;
FIG. 2 is an enlarged perspective view of the design;
FIG. 3 is a front elevation view of FIG. 2;
FIG. 4 is a back elevation view of FIG. 2;
FIG. 5 is a top plan view of FIG. 2;
FIG. 6 is a bottom plan view of FIG. 2;
FIG. 7 is a right side elevation view of FIG. 2;
FIG. 8 is a left side elevation view of FIG. 2; and
FIG. 9 is a right side elevation view of the design in a different operational orientation.
FIG. 10 is a perspective view of a second embodiment of the design shown in a typical environment in which it is used;
FIG. 11 is an enlarged perspective view of the embodiment of FIG. 10;
FIG. 12 is a front elevation view of FIG. 11;
FIG. 13 is a back elevation view of FIG. 11;
FIG. 14 is a top plan view of FIG. 11;
FIG. 15 is a bottom plan view of FIG. 11;
FIG. 16 is a right side elevation view of FIG. 11;
FIG. 17 is a left side elevation view of FIG. 11; and,
FIG. 18 is a right side elevation view of the embodiment of FIGS. 10-17 in a different operational orientation.
Broken lines do not form part of the claimed design. The separations of the cross-arms indicated by brackets in FIGS. 1-6 indicate no particular length.

1 Claim, 18 Drawing Sheets



US D655,840 S

Page 2

| U.S. PATENT DOCUMENTS | | | | | |
|-----------------------|---------|-------------------------------|-----------------|---------|------------------------|
| | | | 6,676,277 B1 | 1/2004 | Gordin |
| 4,712,167 A | 12/1987 | Gordin et al. | 7,171,793 B2 | 2/2007 | Gordin et al. |
| 4,725,934 A | 2/1988 | Gordin | 7,246,782 B2 | 7/2007 | Crookham et al. |
| 4,729,077 A | 3/1988 | Gordin et al. | 7,284,879 B2 | 10/2007 | Gordin et al. |
| 4,811,181 A | 3/1989 | Jones | D567,422 S | 4/2008 | Gordin et al. |
| 4,816,974 A | 3/1989 | Gordin | D567,432 S | 4/2008 | Gordin et al. |
| D306,909 S * | 3/1990 | Kelley et al. D26/24 | D567,433 S | 4/2008 | Gordin et al. |
| 4,947,303 A | 8/1990 | Gordin | D567,995 S | 4/2008 | Gordin et al. |
| 4,994,718 A | 2/1991 | Gordin | D571,033 S | 6/2008 | Gordin et al. |
| 5,012,398 A | 4/1991 | Jones et al. | D571,495 S | 6/2008 | Berns et al. |
| 5,134,557 A | 7/1992 | Gordin et al. | D573,752 S | 7/2008 | Gordin et al. |
| 5,161,883 A | 11/1992 | Gordin et al. | D574,098 S | 7/2008 | Gordin et al. |
| D337,168 S | 7/1993 | Gordin et al. | D575,181 S | 8/2008 | Gordin et al. |
| 5,313,378 A | 5/1994 | Gordin et al. | D577,149 S | 9/2008 | Gordin et al. |
| 5,337,221 A | 8/1994 | Gordin et al. | D583,500 S | 12/2008 | Gordin |
| D353,797 S | 12/1994 | Gordin et al. | D589,196 S | 3/2009 | Stone et al. |
| D353,911 S | 12/1994 | Gordin et al. | D593,883 S | 6/2009 | Hol et al. |
| 5,426,577 A | 6/1995 | Gordin et al. | 7,547,118 B2 | 6/2009 | Gordin et al. |
| 5,707,142 A | 1/1998 | Gordin | D595,603 S | 7/2009 | Gordin et al. |
| 5,800,048 A | 9/1998 | Gordin | D602,628 S * | 10/2009 | Benensohn D26/80 |
| 5,856,721 A | 1/1999 | Gordin et al. | 7,736,024 B2 | 6/2010 | Gordin et al. |
| 5,860,733 A | 1/1999 | Stone et al. | D627,499 S * | 11/2010 | Hu et al. D26/63 |
| 5,887,969 A | 3/1999 | Gordin | D627,909 S * | 11/2010 | Hu et al. D26/63 |
| D411,096 S | 6/1999 | Gordin et al. | D644,370 S | 8/2011 | Lickiss |
| 5,944,413 A * | 8/1999 | Crookham et al. 362/431 | 2006/0176708 A1 | 8/2006 | Gordin et al. |
| 6,203,176 B1 | 3/2001 | Gordin | 2009/0323330 A1 | 12/2009 | Gordin et al. |
| 6,220,726 B1 | 4/2001 | Gordin | 2010/0110671 A1 | 5/2010 | Gordin et al. |
| 6,250,596 B1 | 6/2001 | Gordin et al. | 2010/0195326 A1 | 8/2010 | Boxler et al. |
| 6,398,392 B2 * | 6/2002 | Gordin et al. 362/431 | 2010/0320694 A1 | 12/2010 | Gromotka |
| 6,607,285 B2 * | 8/2003 | Citron et al. 362/249.07 | | | |

* cited by examiner

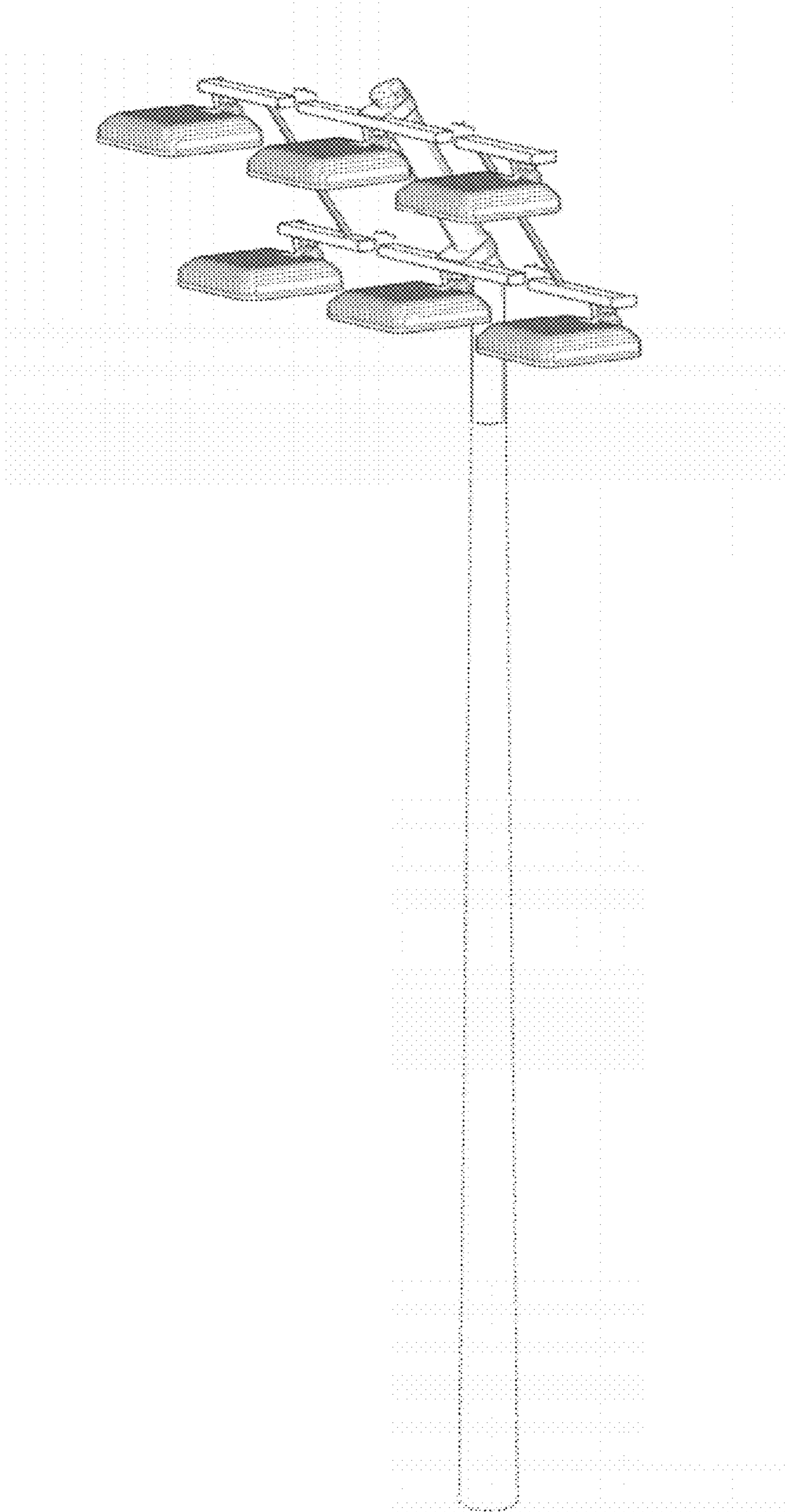


Fig. 1

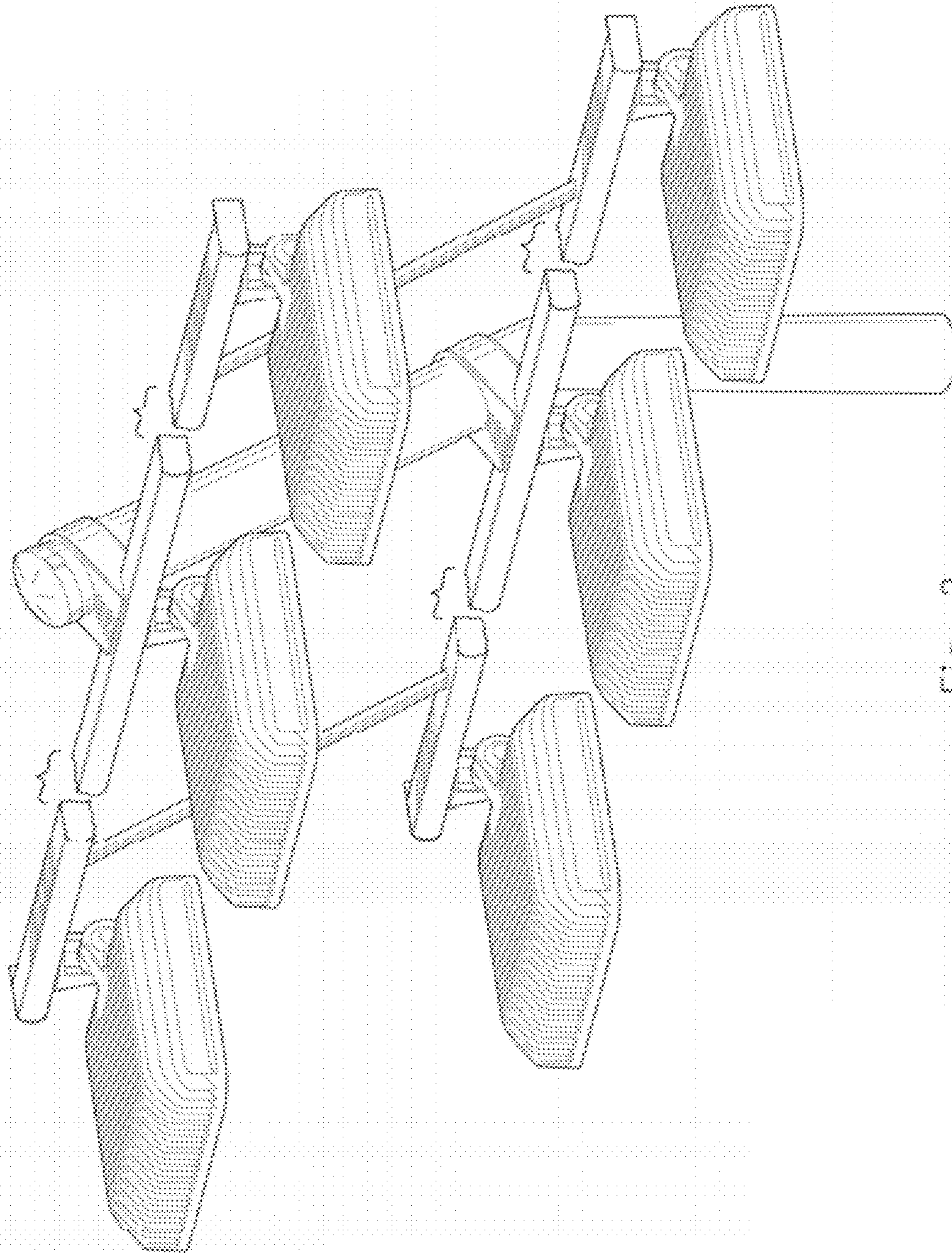


Fig. 2

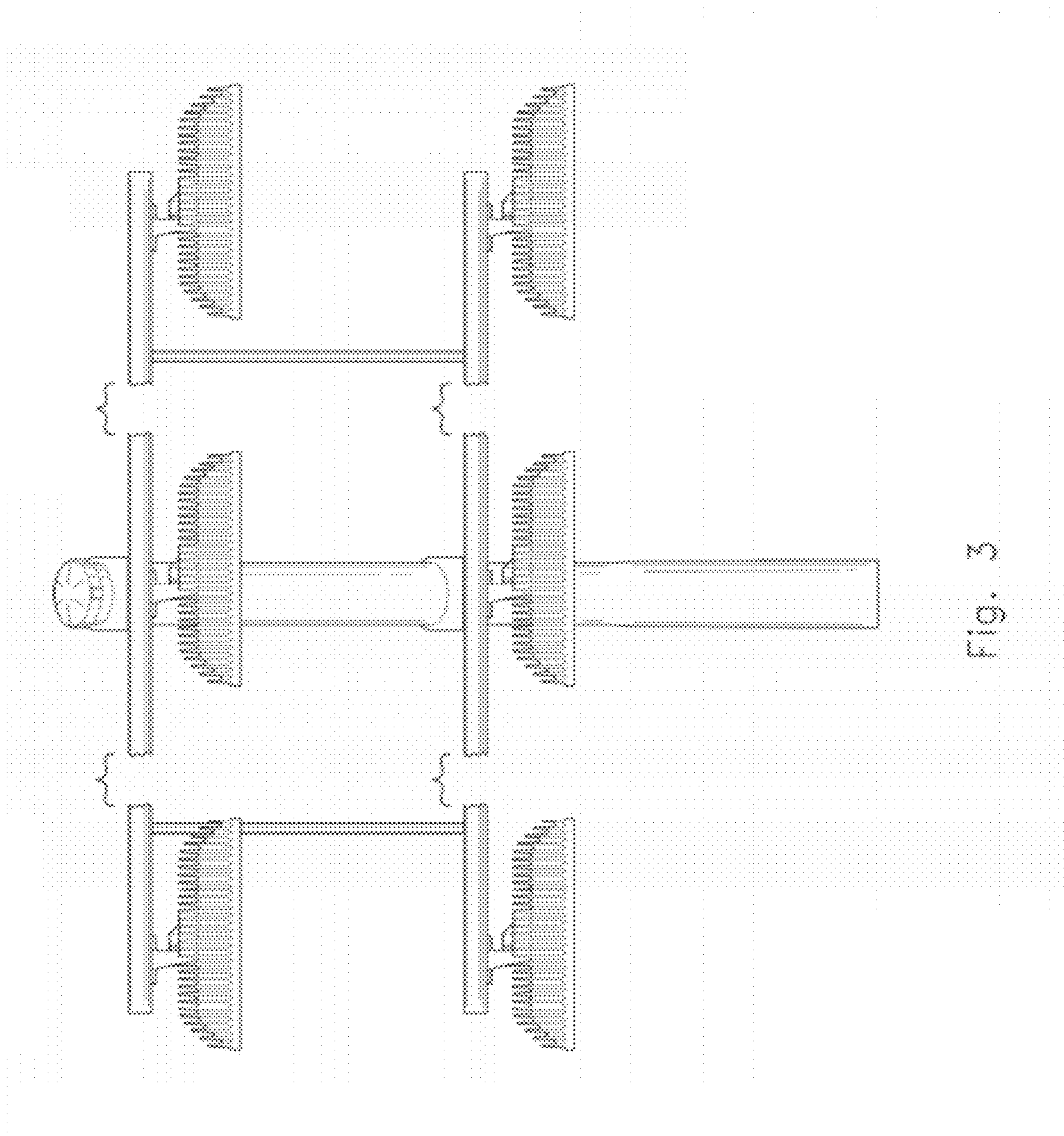


Fig. 3

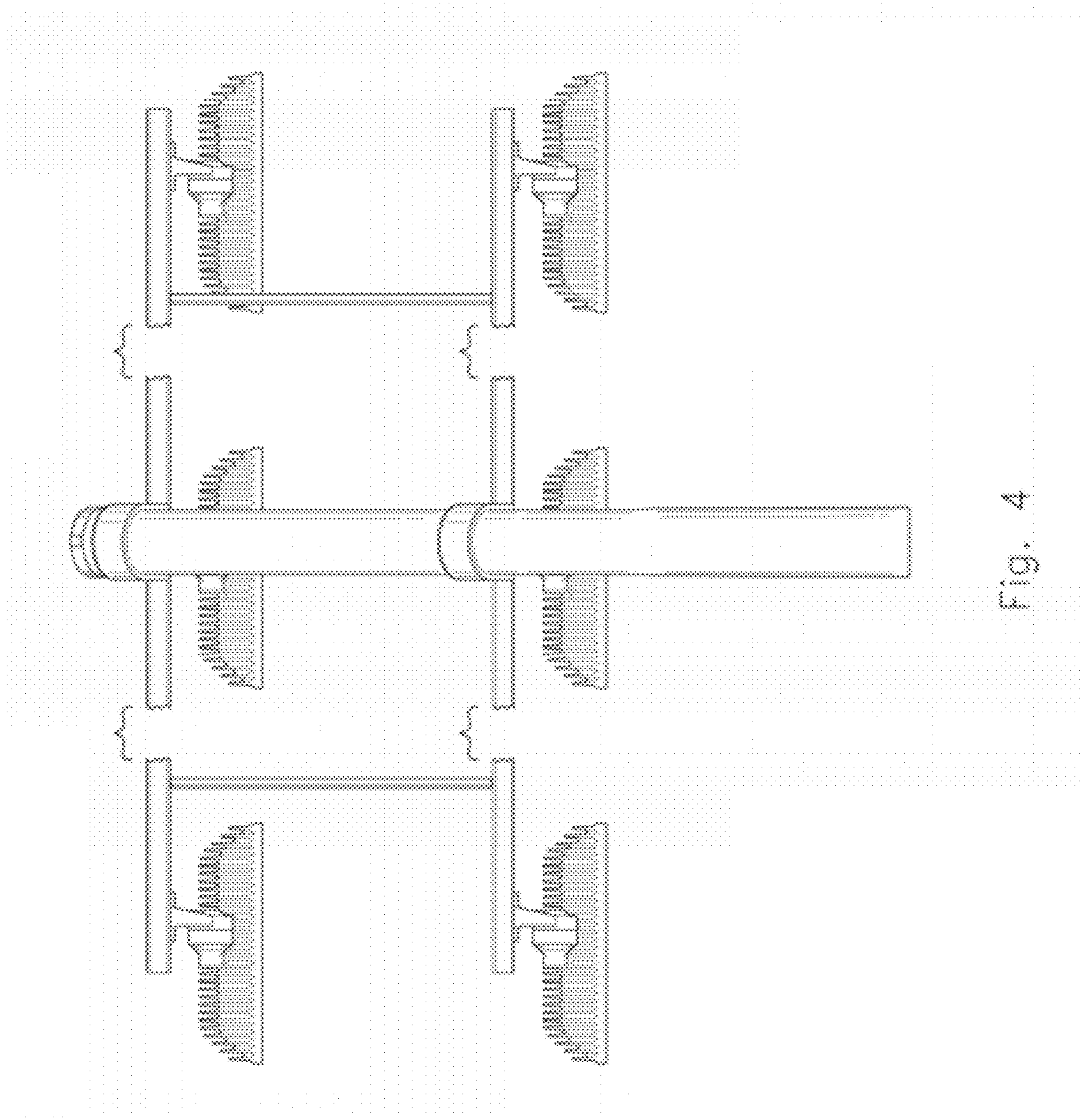


Fig. 4

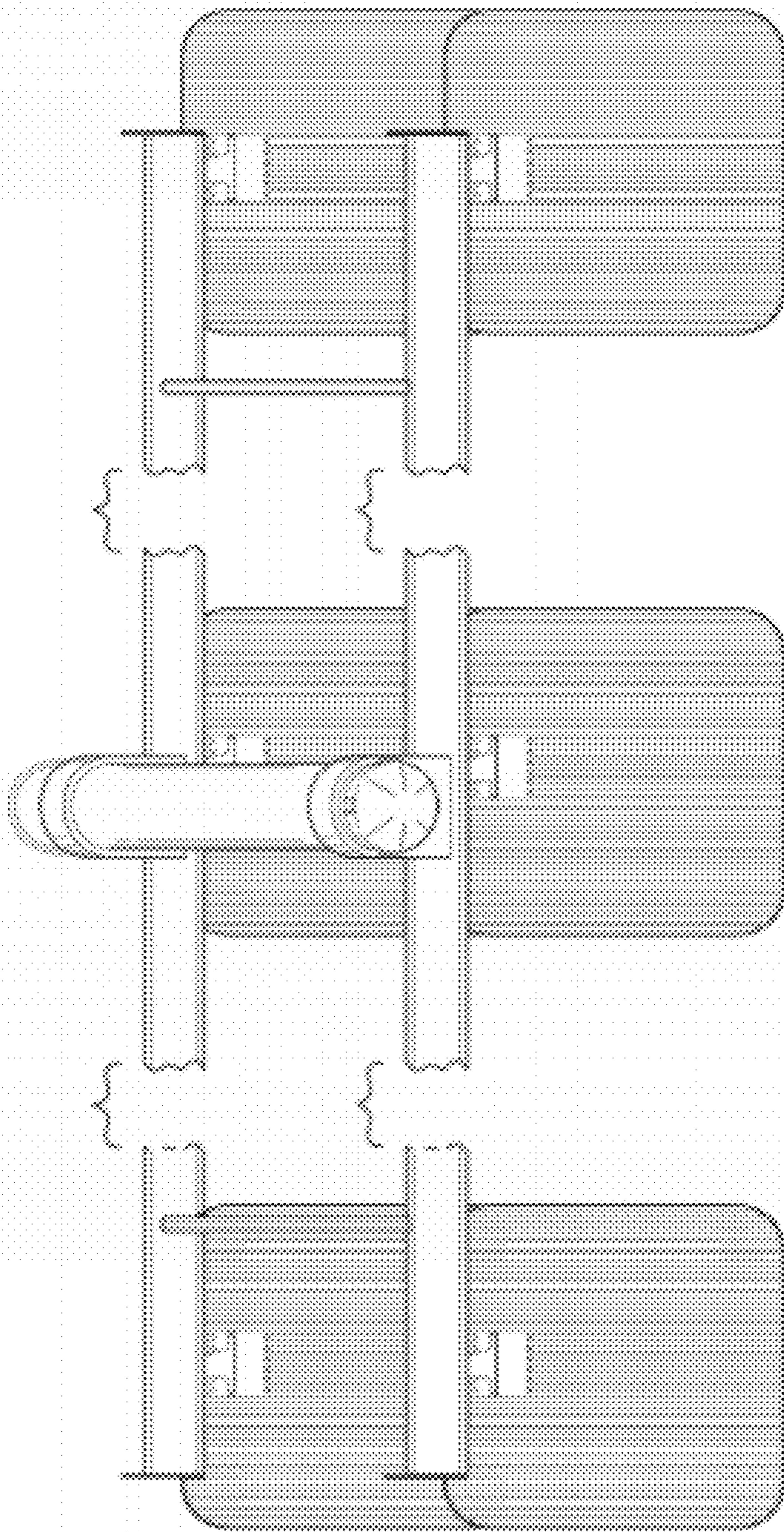


Fig. 5

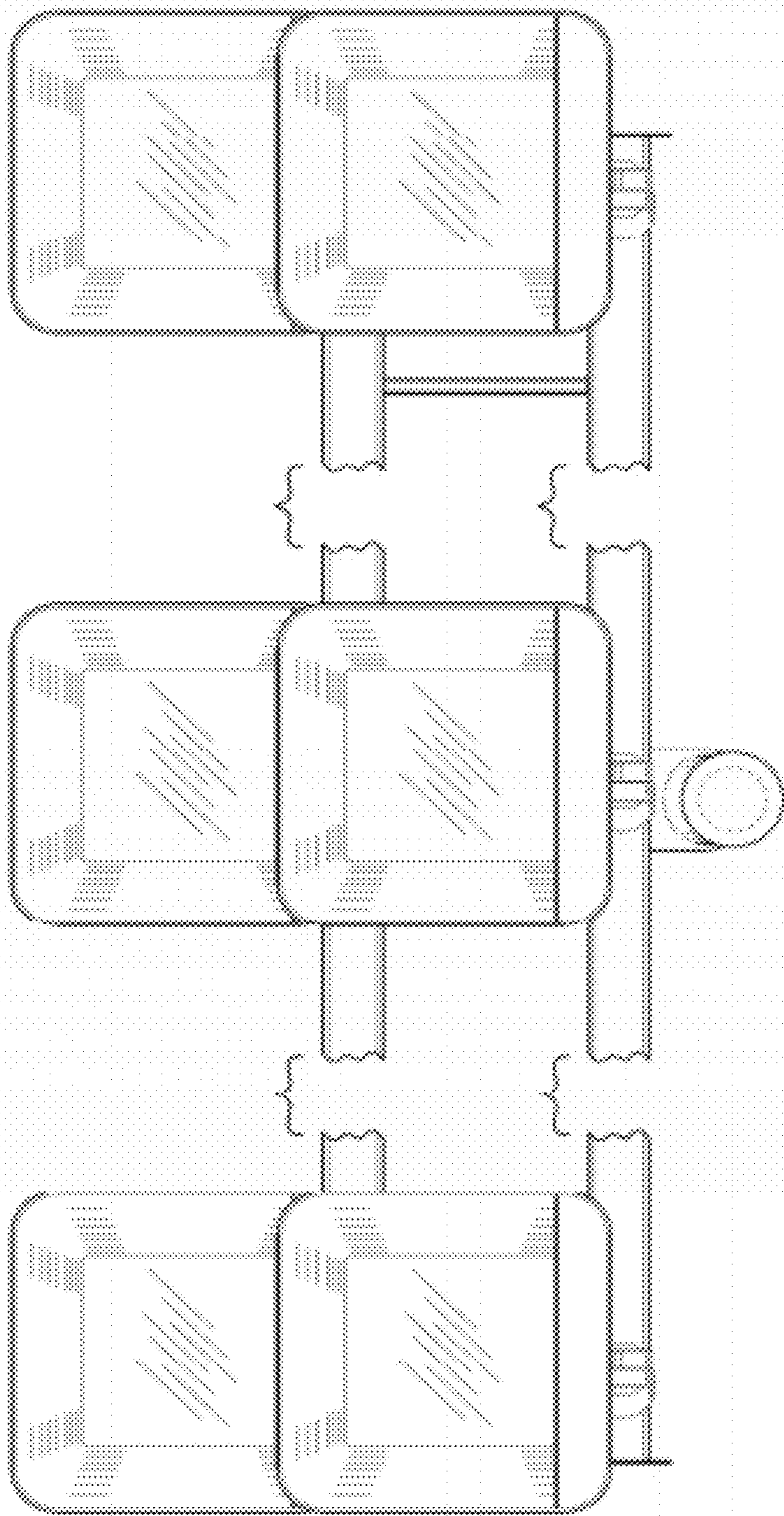


Fig. 6

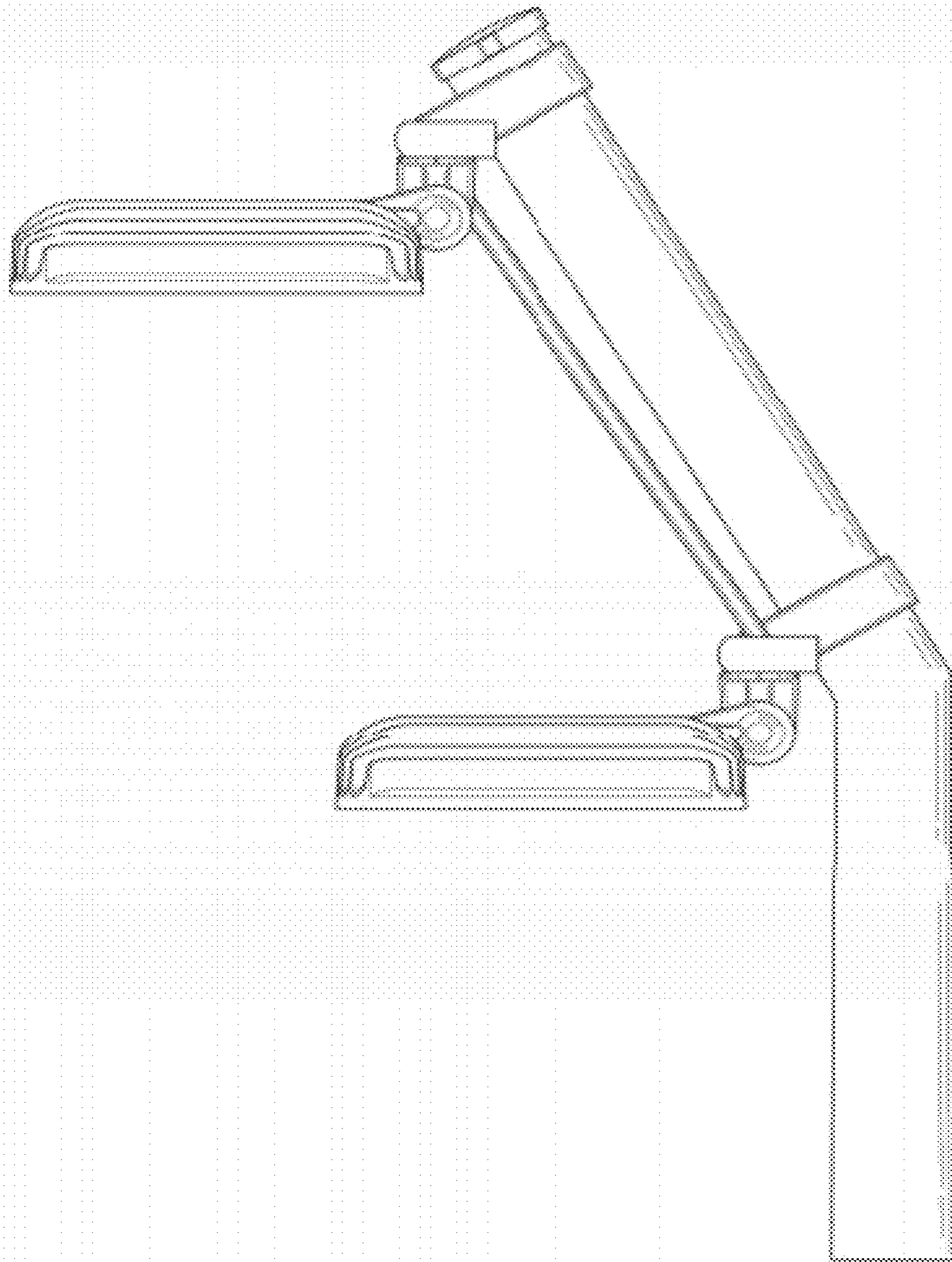


Fig. 7

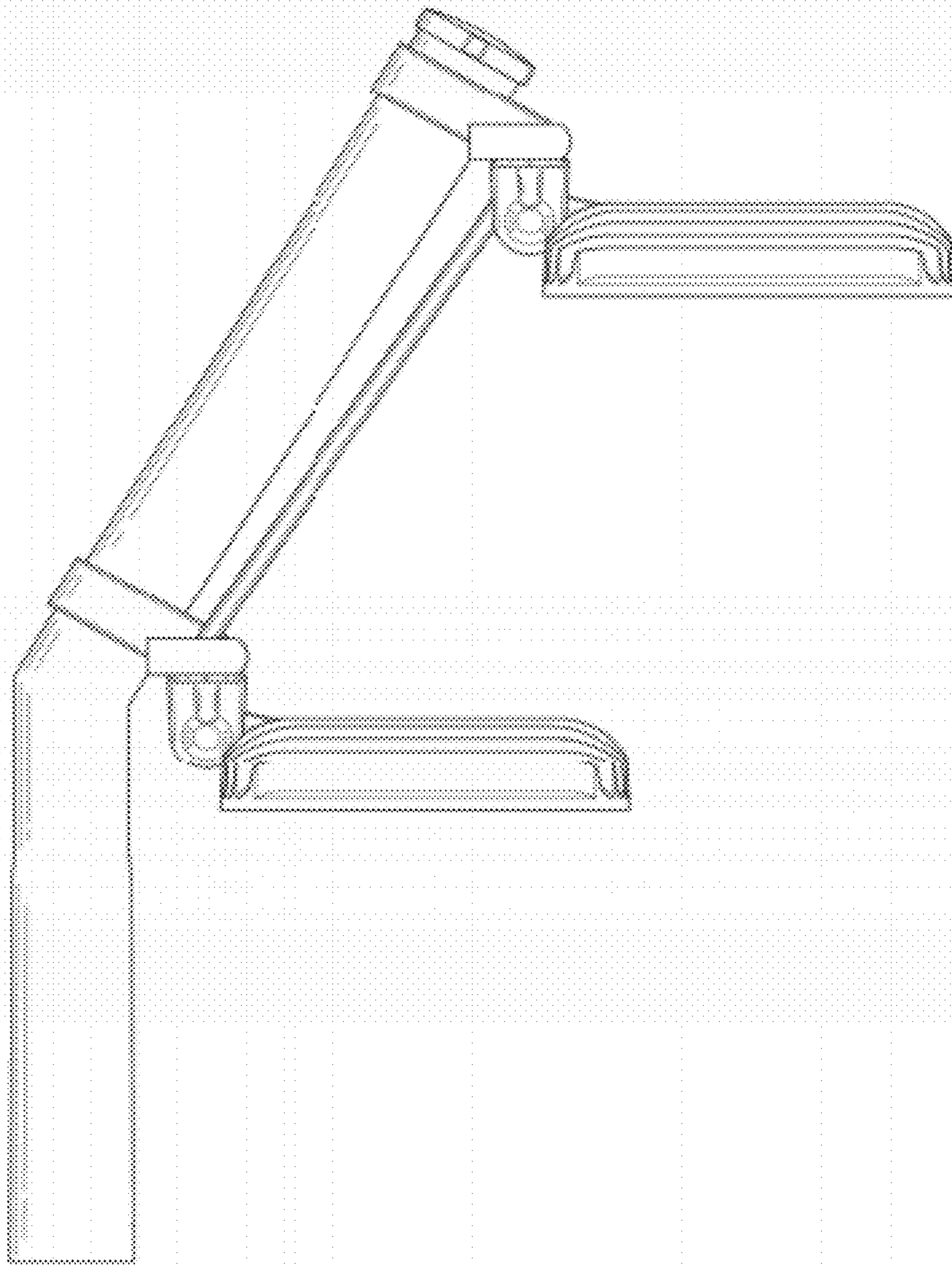


Fig. 8

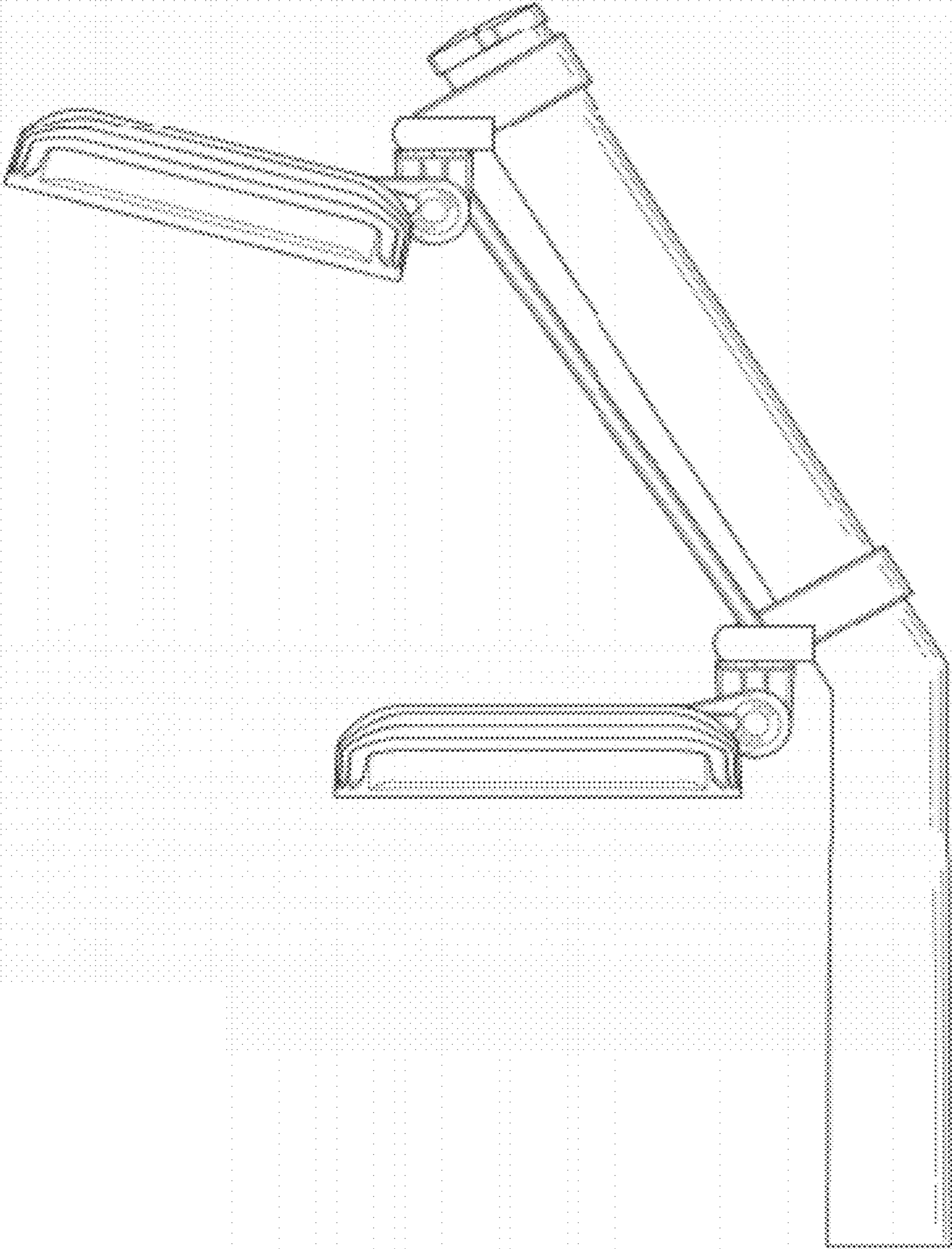


Fig. 9

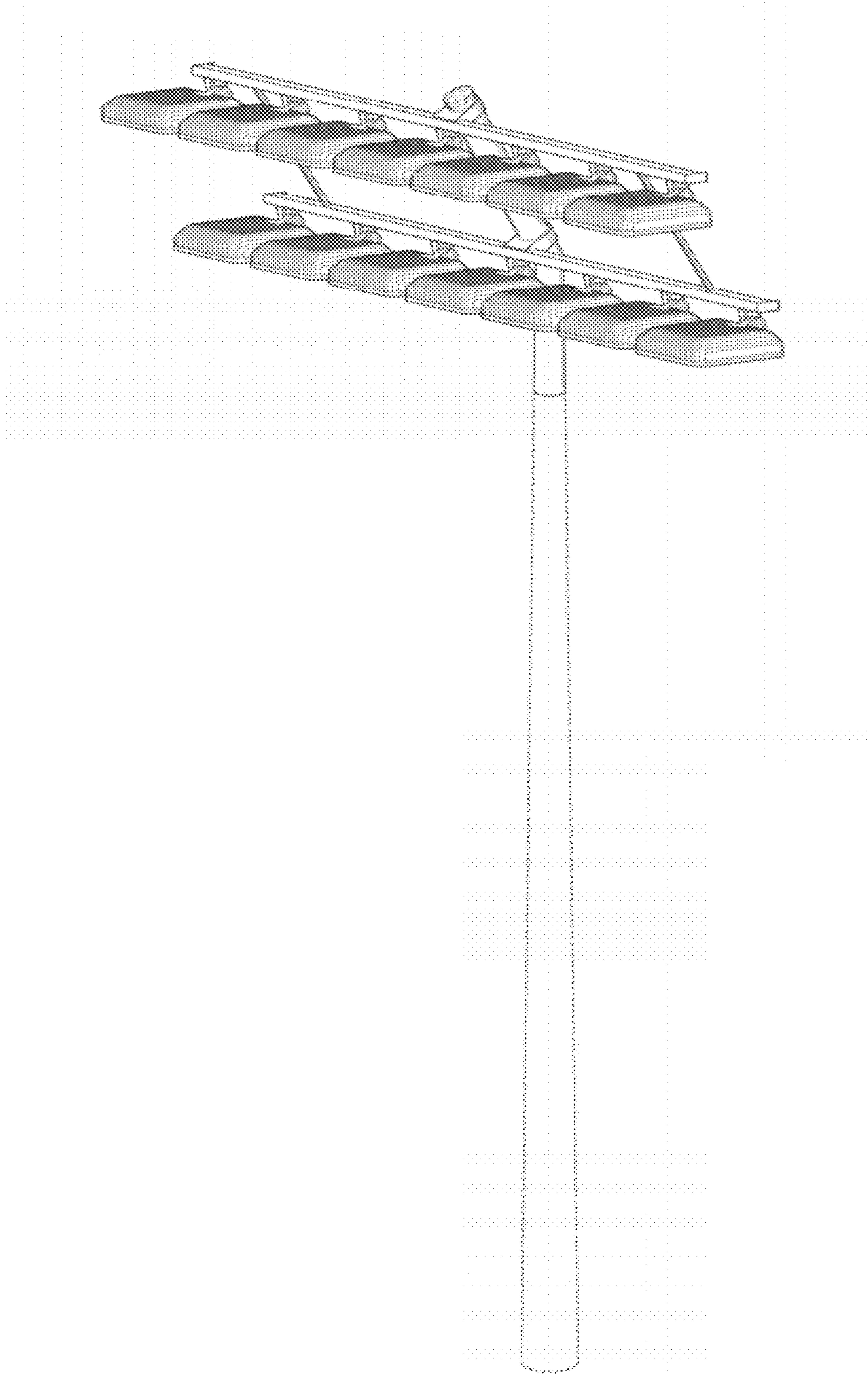


Fig. 10

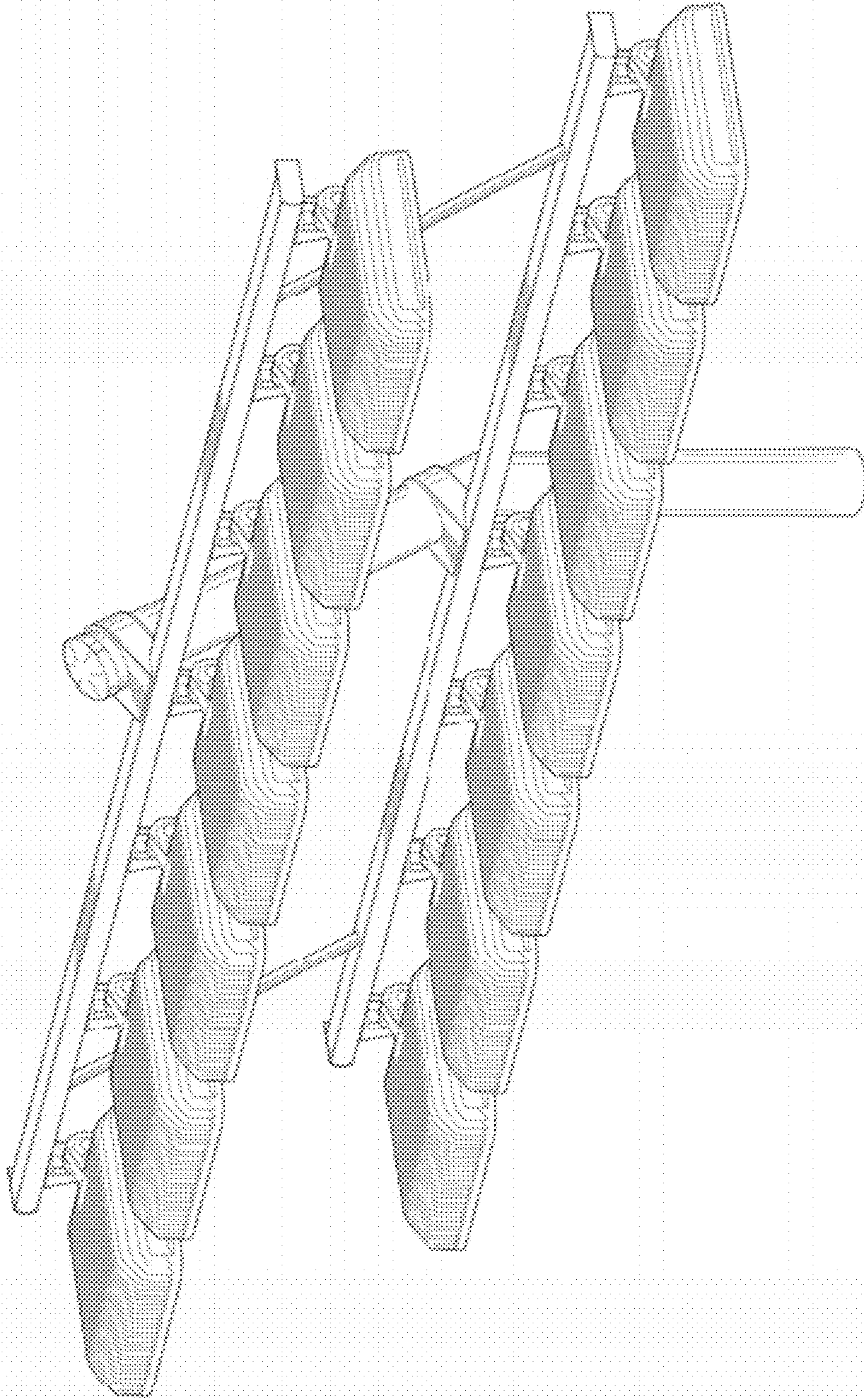


Fig. 11

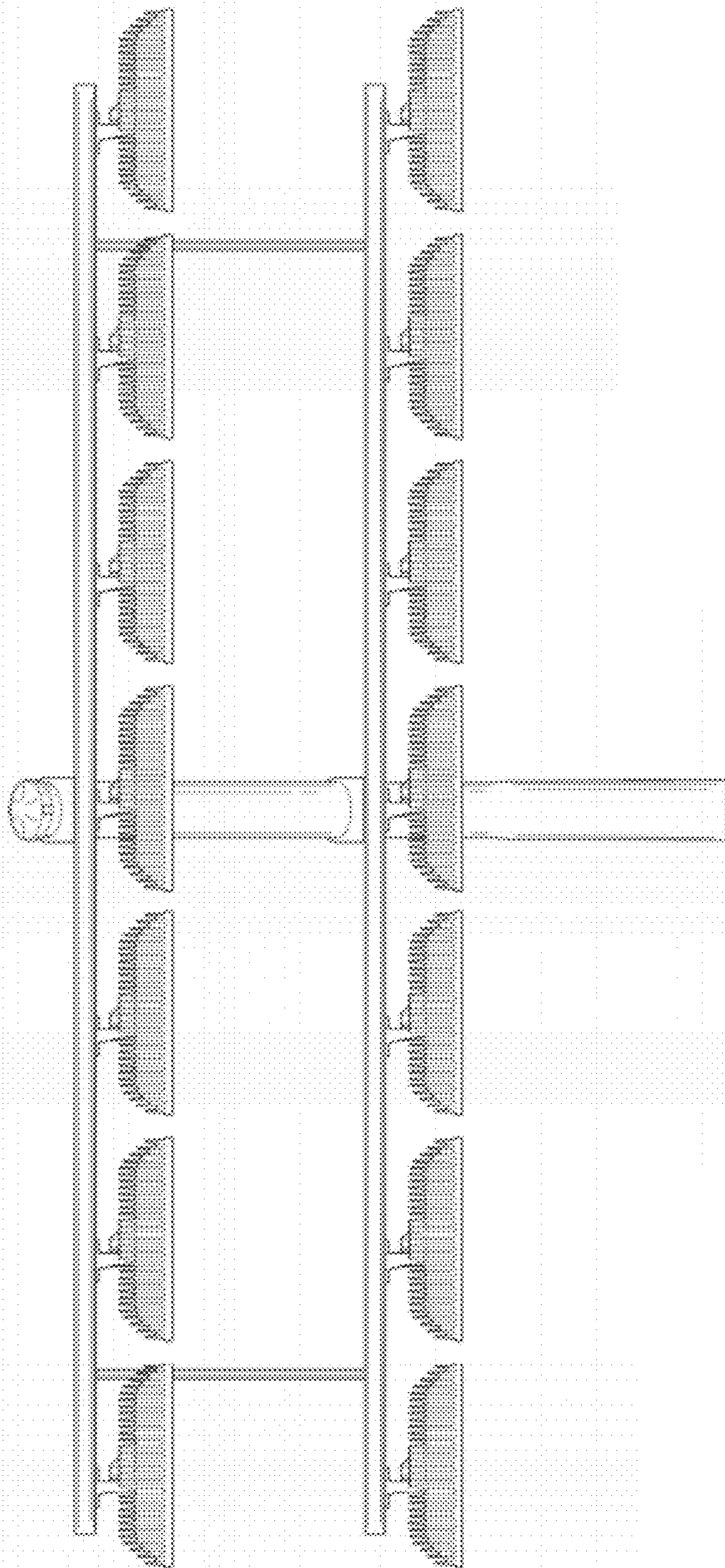


Fig. 12

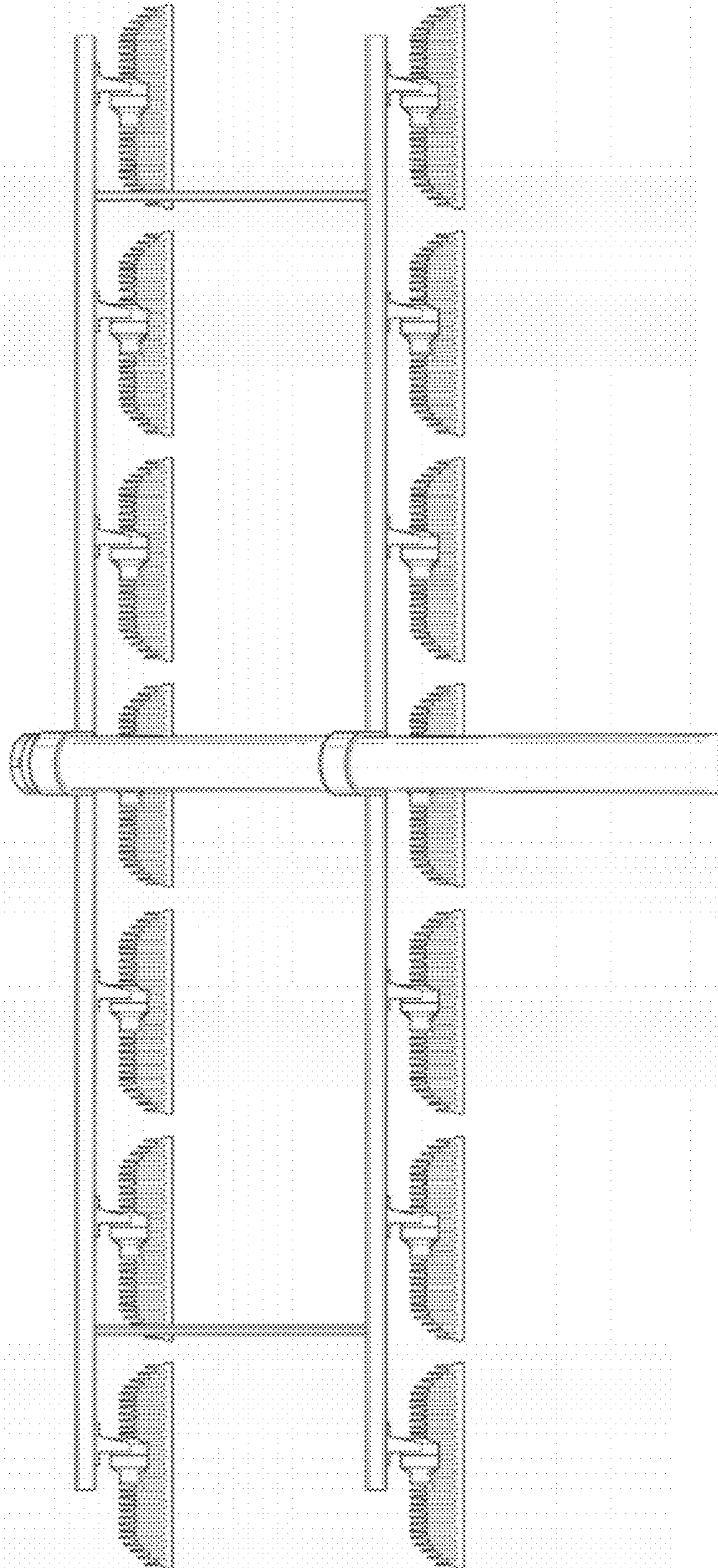


Fig. 13

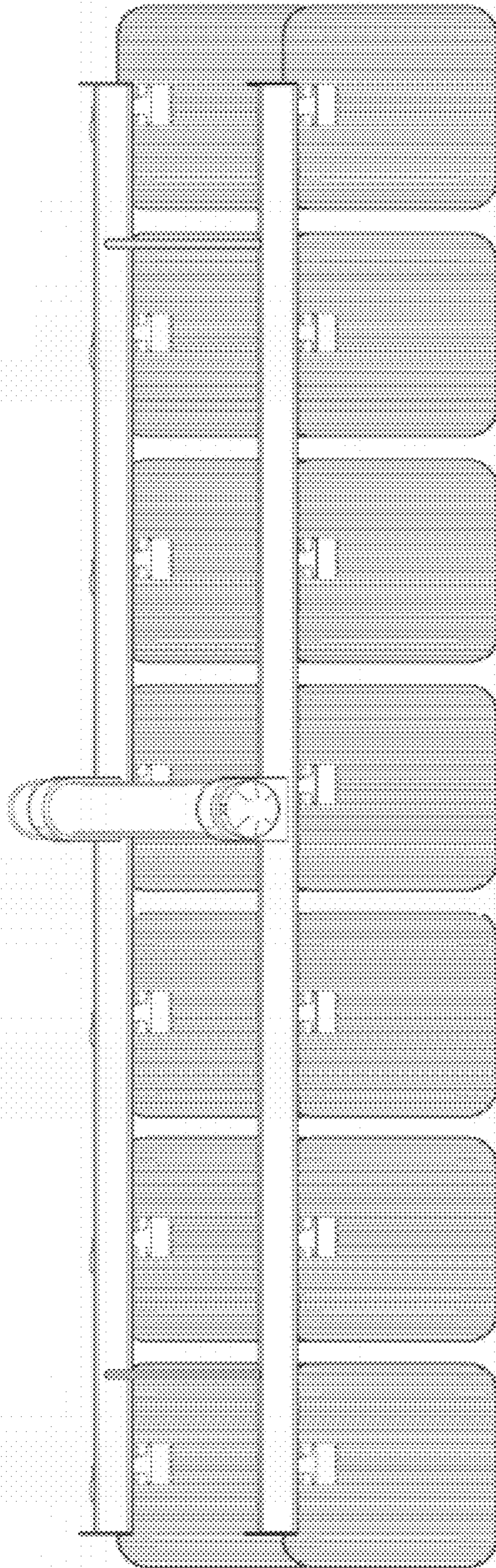


Fig. 14

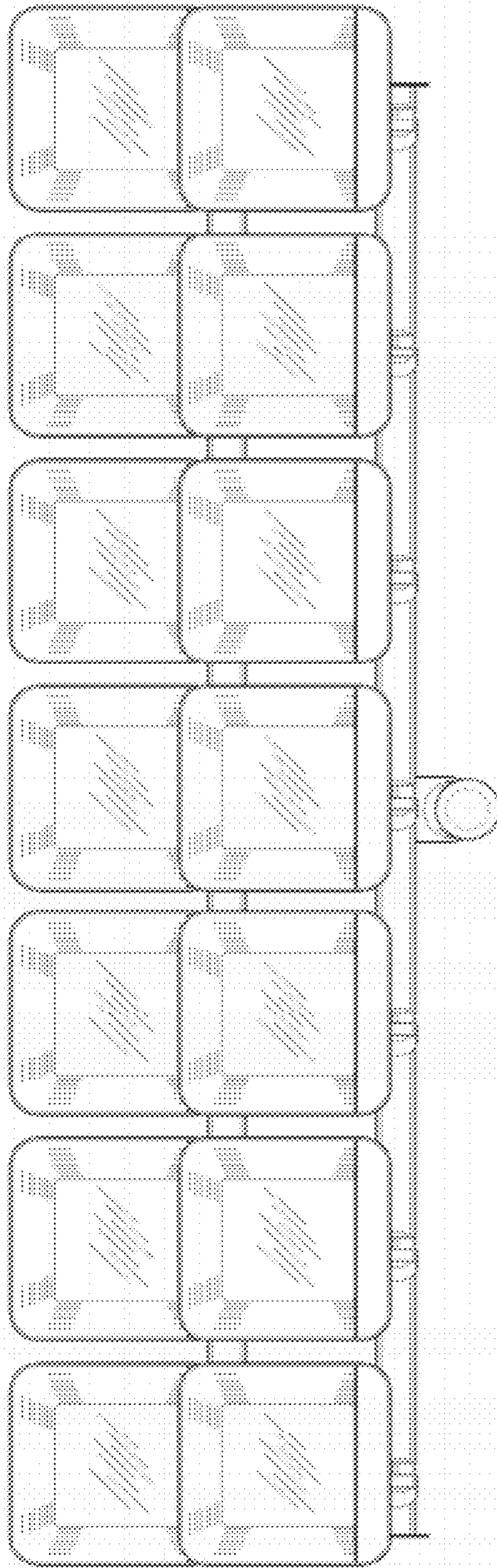


Fig. 15

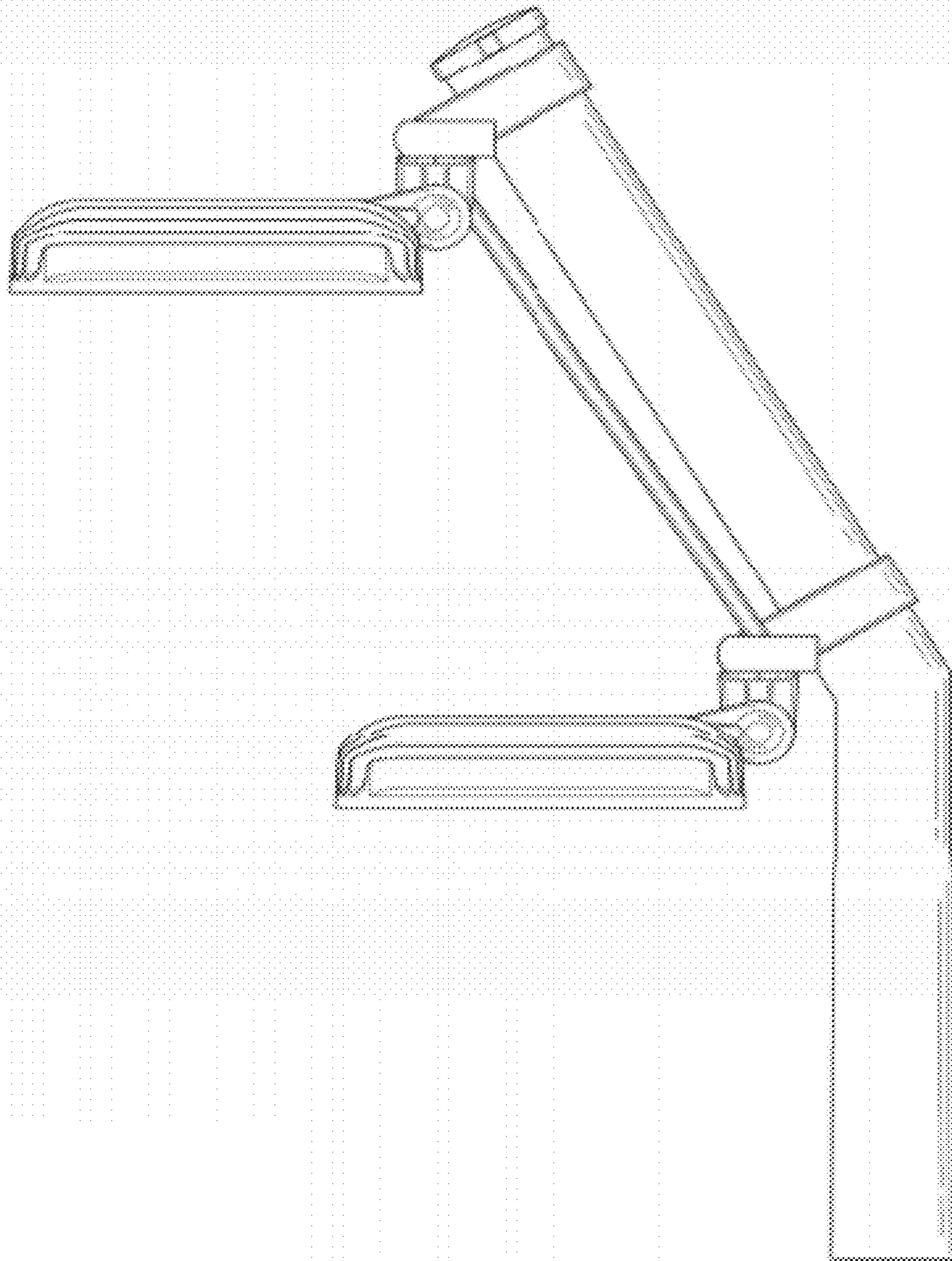


Fig. 16

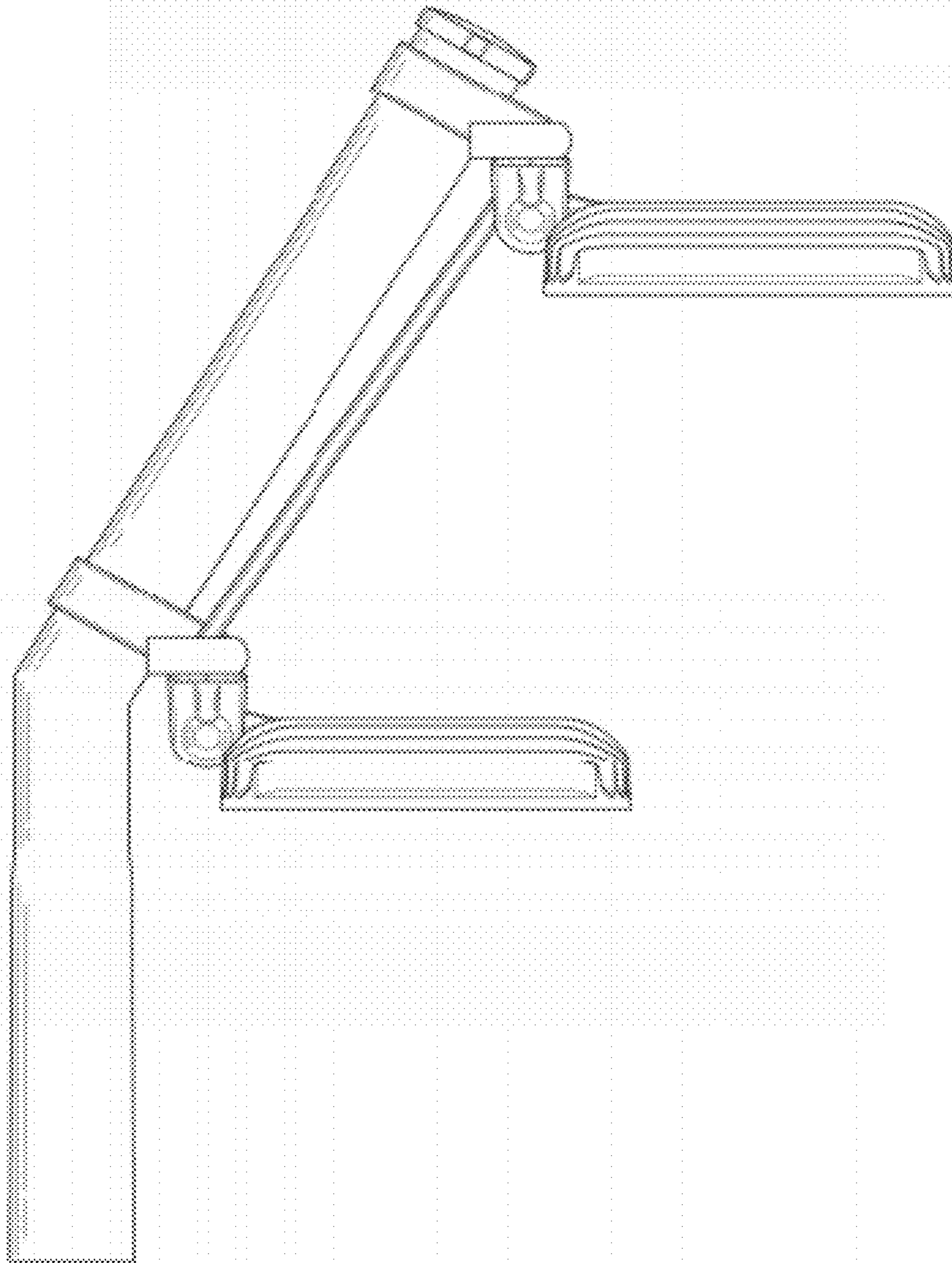


Fig. 17

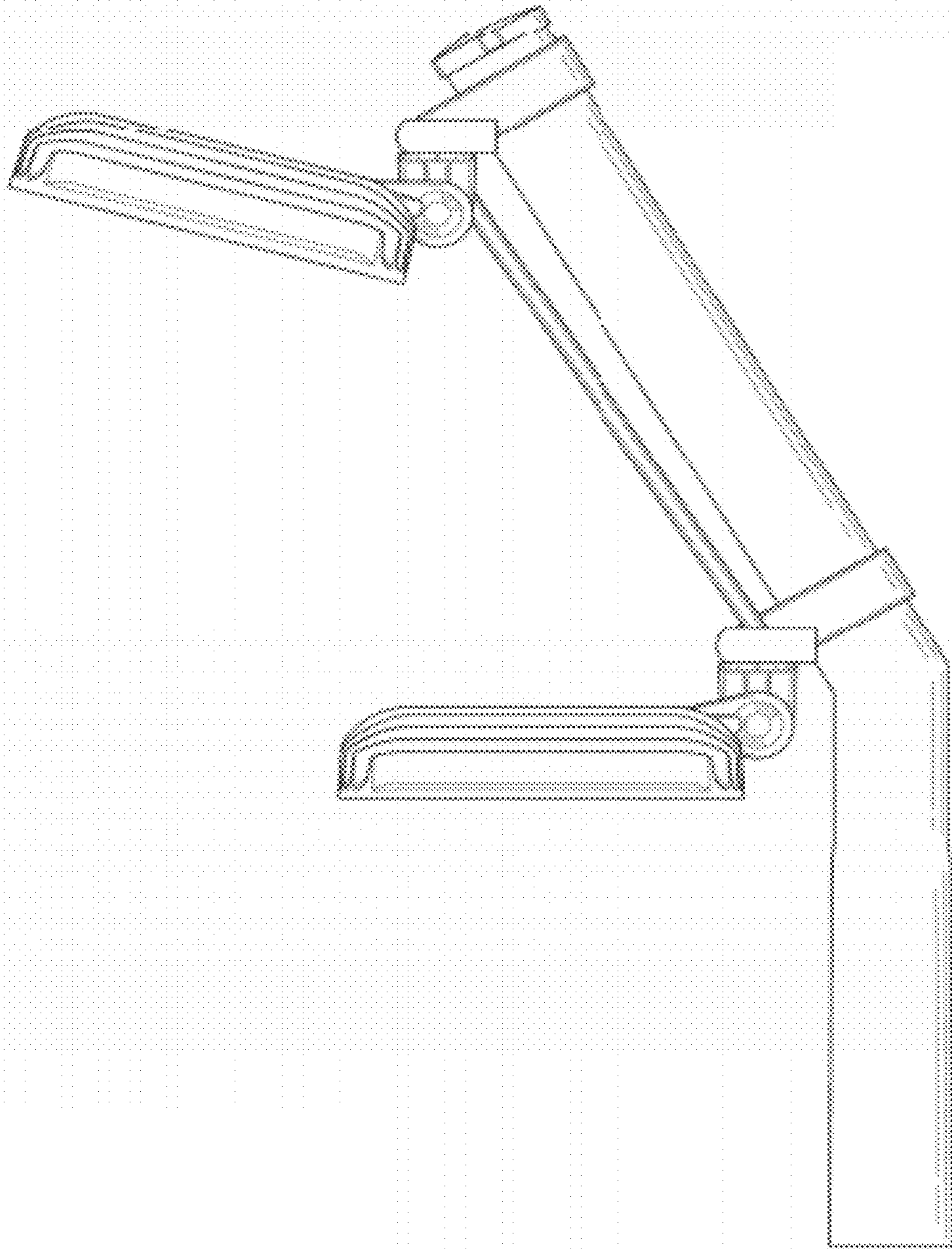


Fig. 18