

US00D655833S

(12) **United States Design Patent**
Cowan et al.

(10) **Patent No.:** **US D655,833 S**
(45) **Date of Patent:** **** Mar. 13, 2012**

(54) **CANDLE SET WITH DECORATIVE OVERLAPPING SURFACE**

(76) Inventors: **David Cowan**, Cornwall Bridge, CT (US); **Pepin Sebastian Gelardi**, Brooklyn, NY (US); **Petar Miskovic**, New York, NY (US)

(**) Term: **14 Years**

(21) Appl. No.: **29/359,819**

(22) Filed: **Apr. 15, 2010**

(51) **LOC (9) Cl.** **26-04**

(52) **U.S. Cl.** **D26/6**

(58) **Field of Classification Search** D26/5, D26/6, 7, 9, 10, 11, 12, 13, 14, 15, 16, 17, D26/18, 19, 20, 21, 22, 23, 114-137; D11/117, D11/121, 125, 131; 428/7-9, 11; 431/291, 431/311, 320, 298; 362/161-163, 351; D13/179
See application file for complete search history.

(56) **References Cited**

U.S. PATENT DOCUMENTS

5,785,116 A * 7/1998 Wagner 165/80.3
5,975,194 A * 11/1999 Wagner 165/80.3

6,705,144 B2 * 3/2004 Pollard et al. 72/68

* cited by examiner

Primary Examiner — T. Chase Nelson
Assistant Examiner — Ania K Dworzecka

(57) **CLAIM**

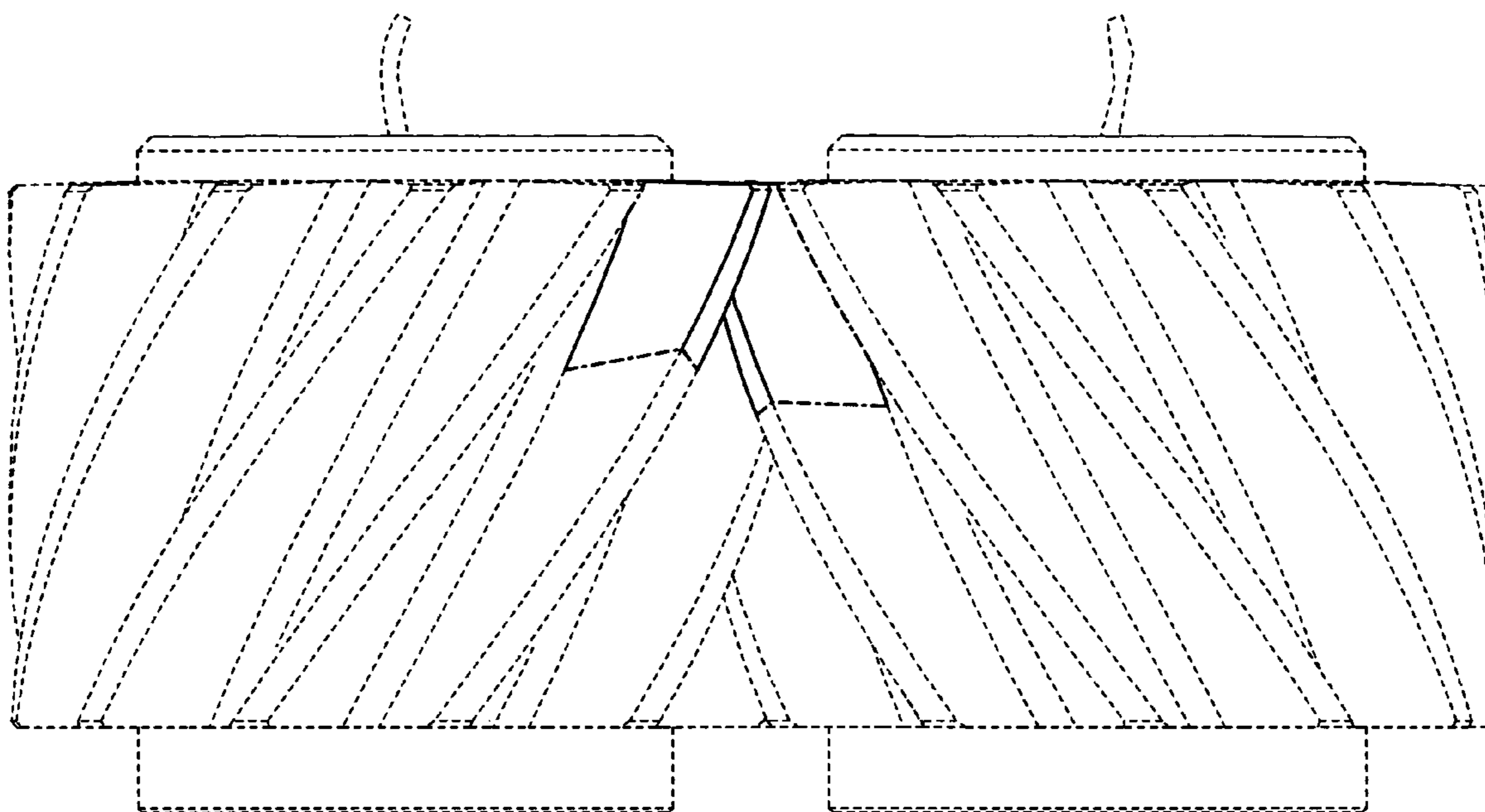
The ornamental design for a candle set with decorative overlapping surfaces, as shown and described.

DESCRIPTION

FIG. 1 is a front elevational view of a candle set with decorative overlapping surface showing our new design; FIG. 2 is a rear elevational view thereof; FIG. 3 is a left side elevational view thereof; FIG. 4 is a right side elevational view thereof; FIG. 5 is a top plan view thereof; and, FIG. 6 is a bottom plan view thereof.

In the drawings, the broken lines depict environmental subject matter only and form no part of the claimed design. In the drawings, the dot-dash lines depict the boundary of the claimed portion of our design.

1 Claim, 3 Drawing Sheets



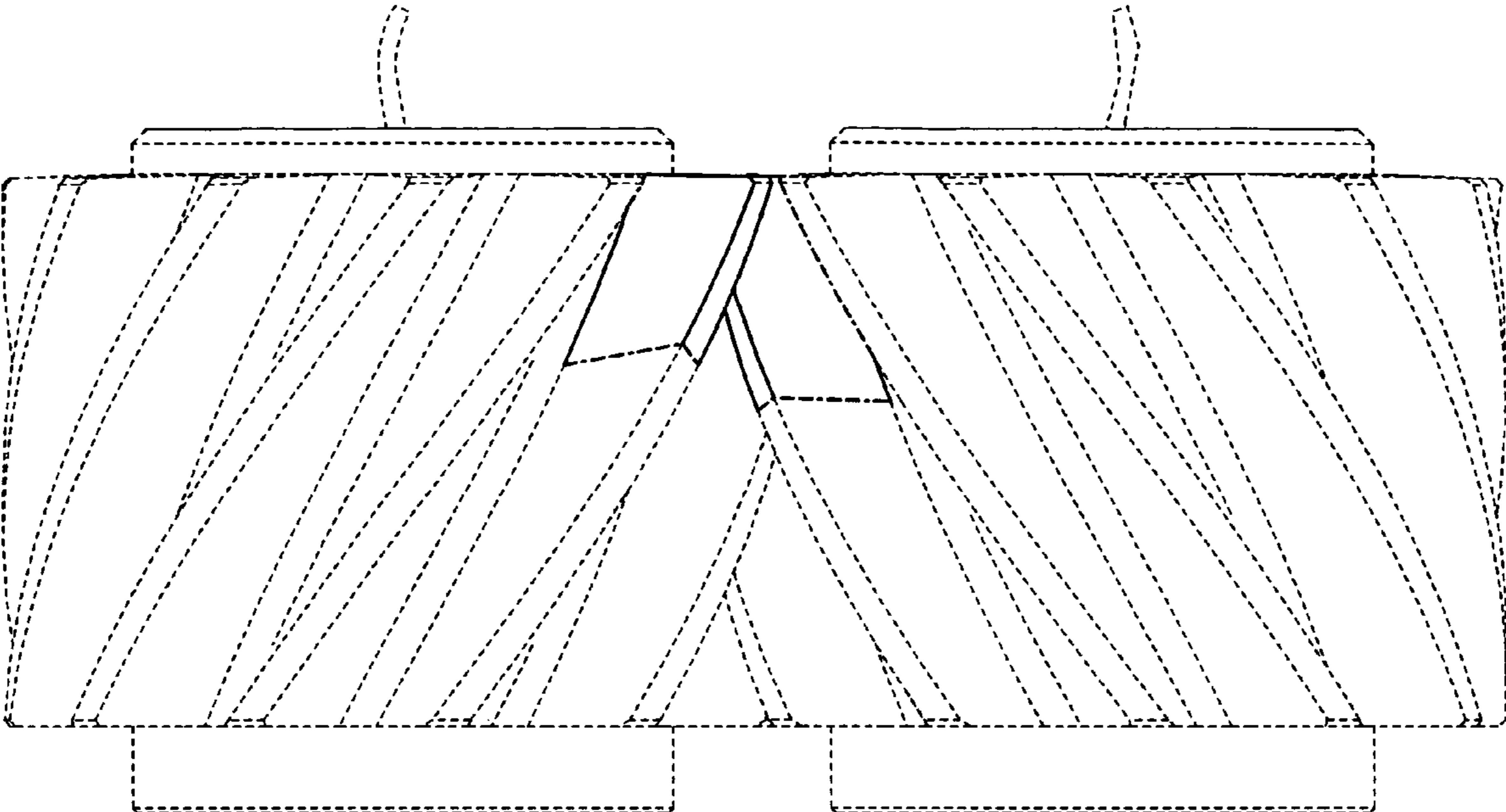


FIG. 1

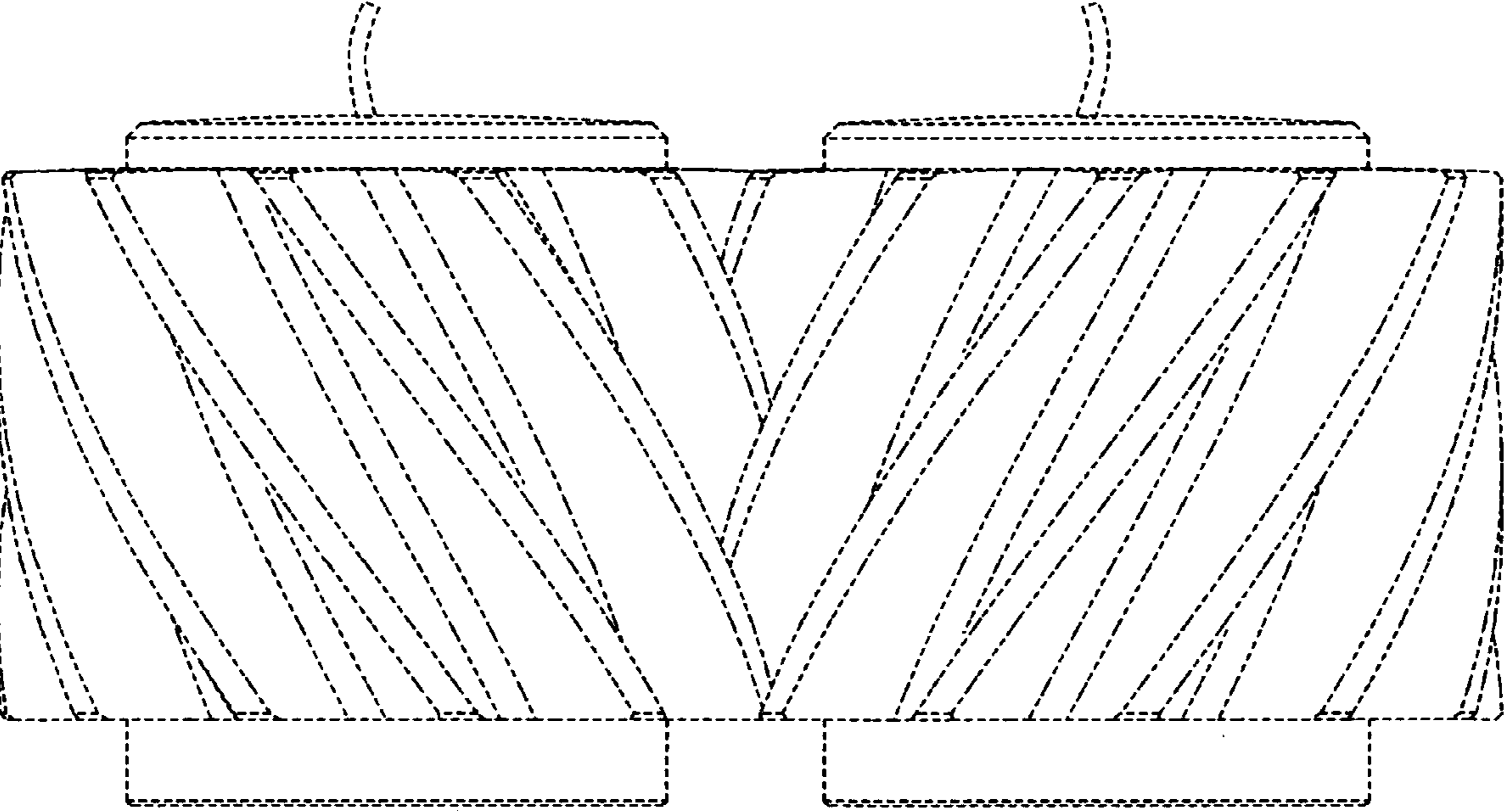


FIG. 2

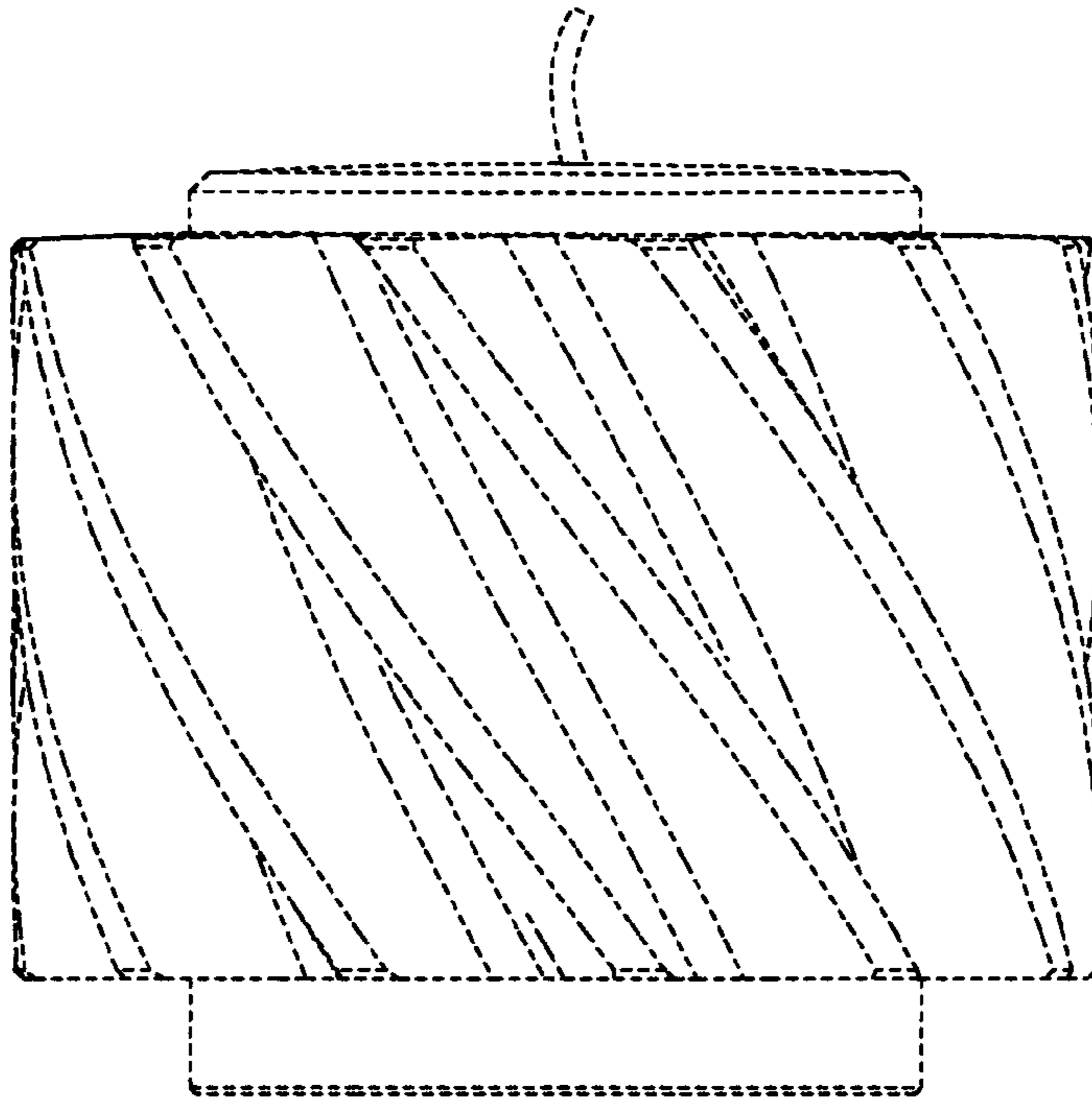


FIG. 3

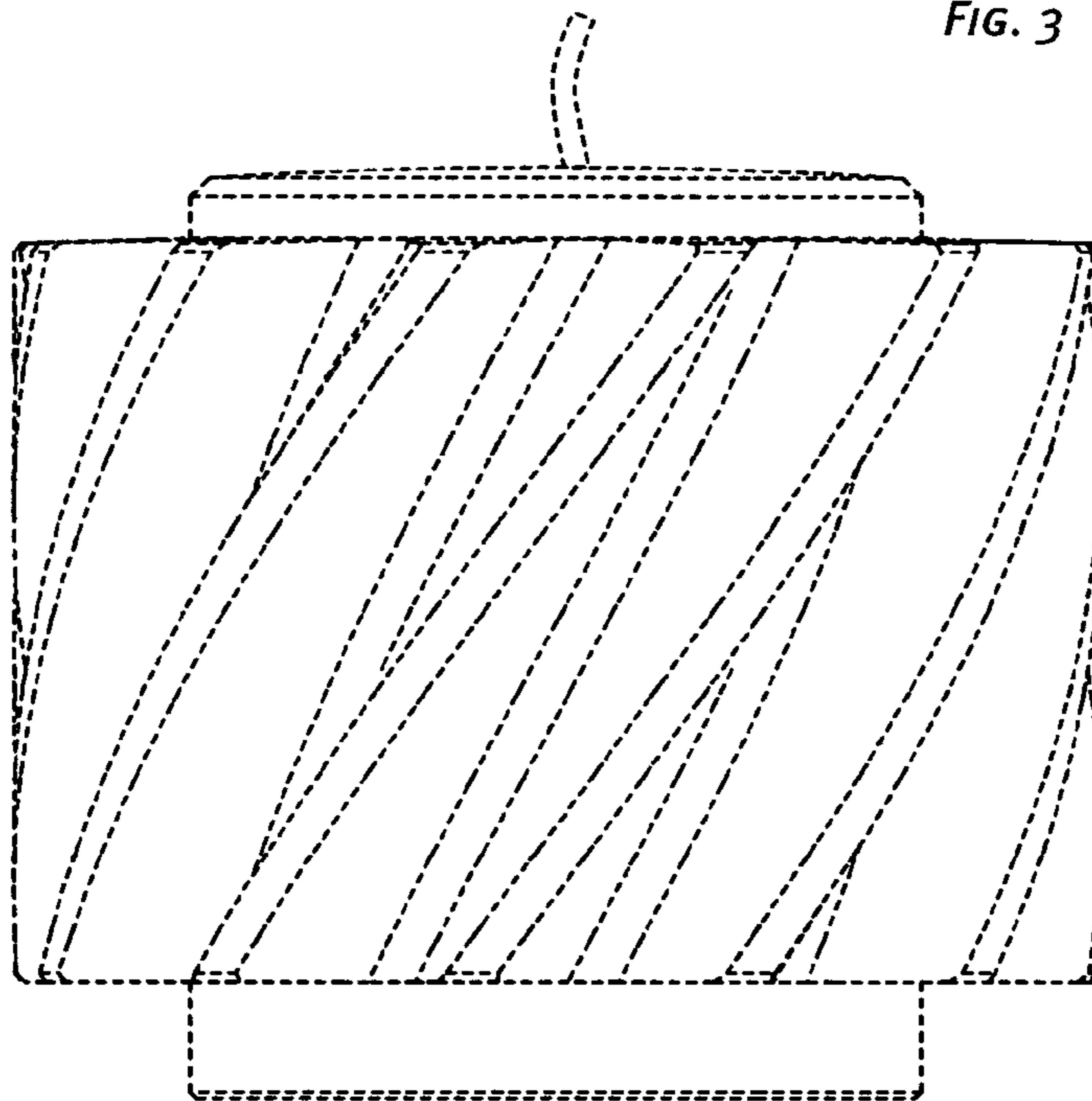


FIG. 4

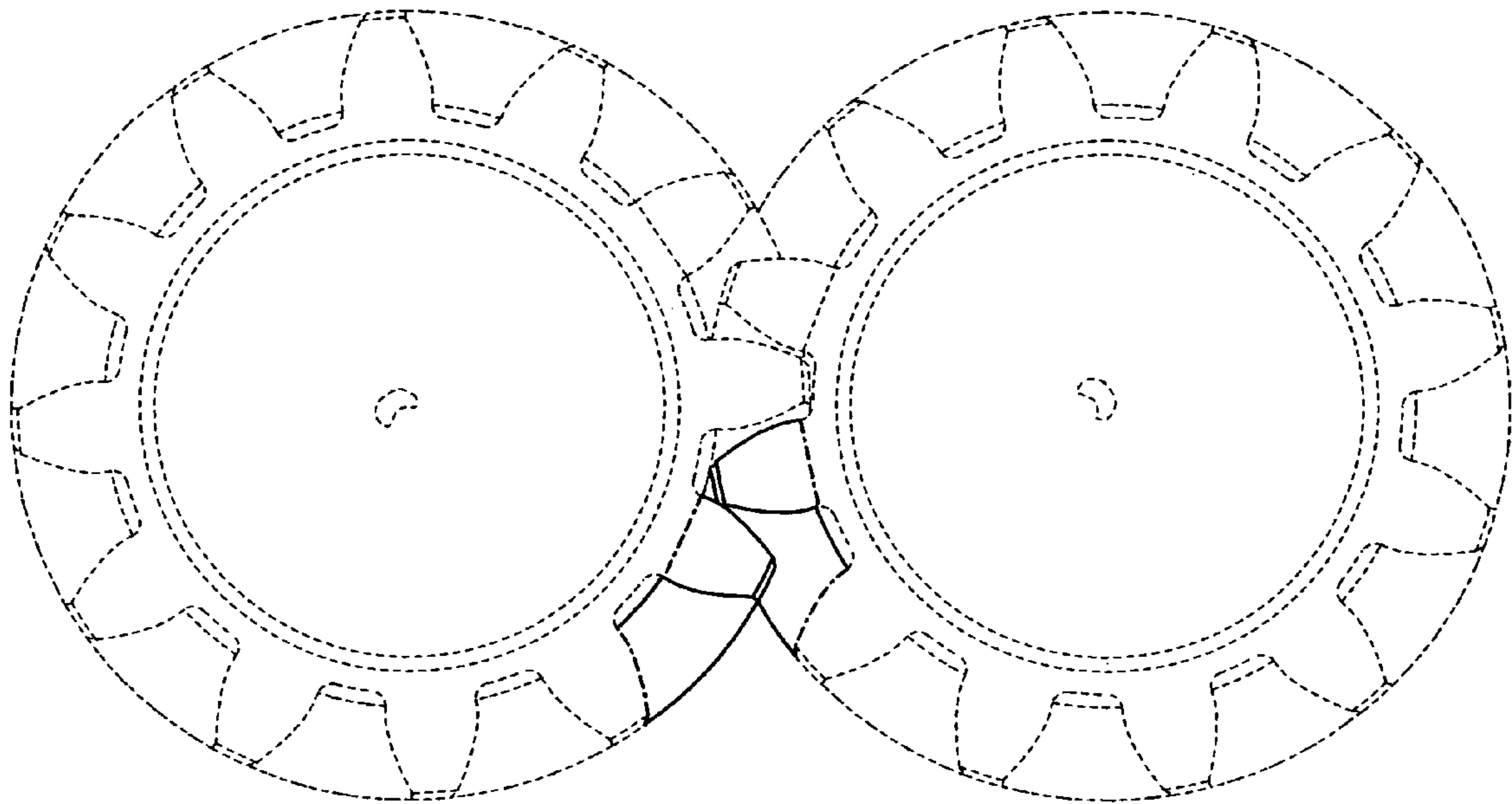


FIG. 5

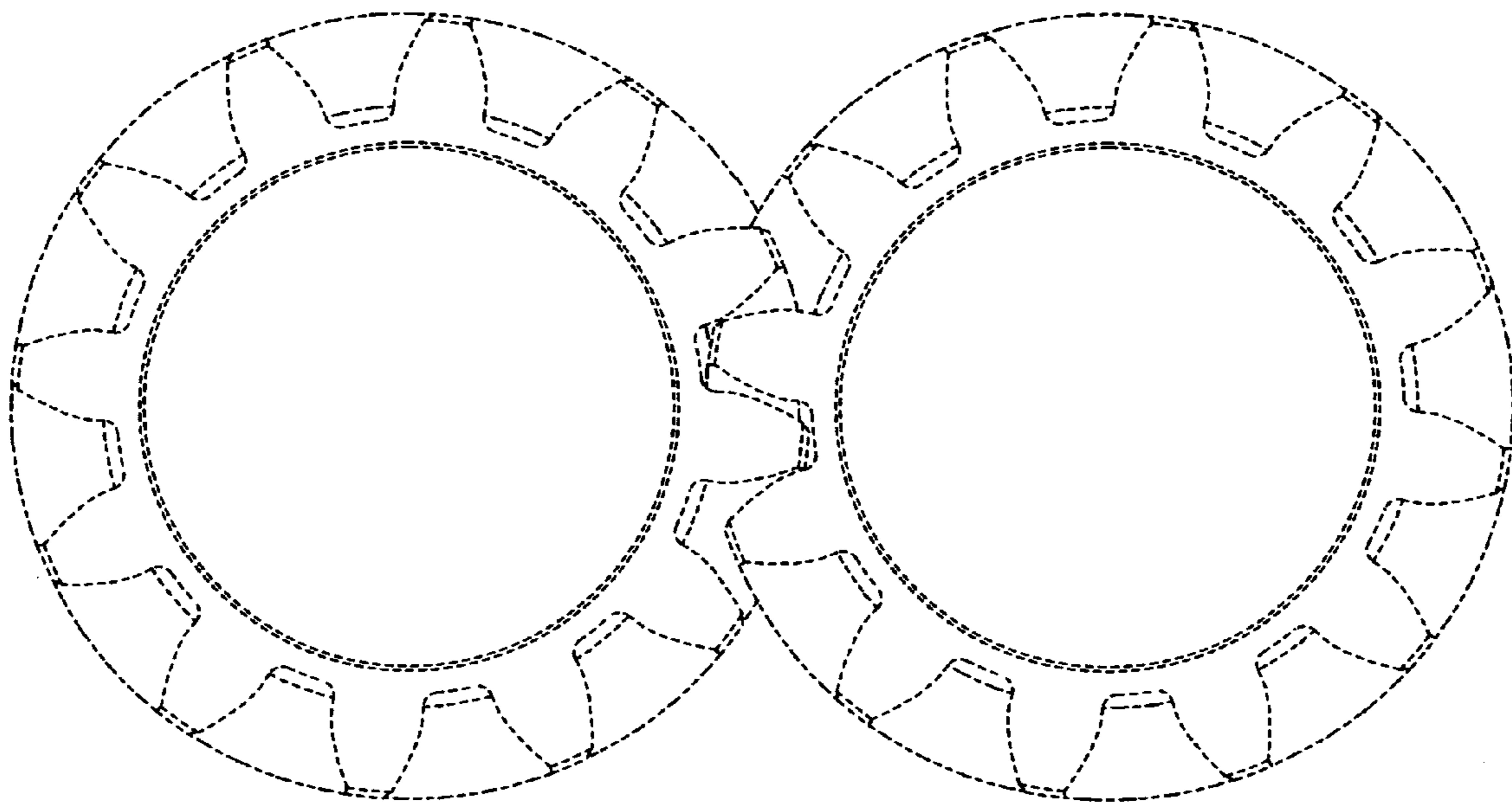


FIG. 6