



US00D655832S

(12) **United States Design Patent**
Lai et al.

(10) **Patent No.:** **US D655,832 S**
(45) **Date of Patent:** **** *Mar. 13, 2012**

(54) **LED LIGHT BULB**

(75) Inventors: **Chih-Ming Lai**, Miao-Li Hsien (TW);
Hong-Bin Yang, Miao-Li Hsien (TW);
Ming-Young Shiao, Miao-Li Hsien
(TW)

(73) Assignee: **Foxsemicon Integrated Technology,
Inc.**, Chu-Nan, Miao-Li Hsien (TW)

(*) Notice: This patent is subject to a terminal dis-
claimer.

(**) Term: **14 Years**

(21) Appl. No.: **29/360,629**

(22) Filed: **Apr. 29, 2010**

(30) **Foreign Application Priority Data**

Dec. 25, 2009 (CN) 2009 3 0330986

(51) **LOC (9) Cl.** **26-04**

(52) **U.S. Cl.** **D26/3**

(58) **Field of Classification Search** D26/1-4;
313/313, 315, 316, 317, 318, 493; 315/52,
315/53, 56, 57, 58

See application file for complete search history.

(56) **References Cited**

U.S. PATENT DOCUMENTS

D448,499	S	*	9/2001	Choi	D26/3
D457,664	S	*	5/2002	Moriyama et al.	D26/3
D477,093	S	*	7/2003	Moriyama et al.	D26/3
D506,274	S	*	6/2005	Moriyama et al.	D26/3
D530,837	S	*	10/2006	Loughrey et al.	D26/3

* cited by examiner

Primary Examiner — Marcus A Jackson

(74) *Attorney, Agent, or Firm* — Altis Law Group, Inc.

(57) **CLAIM**

The ornamental design for a LED light bulb, as shown and described.

DESCRIPTION

FIG. 1 is a perspective view of an LED light tube showing our new design.

FIG. 2 is a front elevational view thereof.

FIG. 3 is a rear elevational view thereof.

FIG. 4 is a left-side, elevational view thereof.

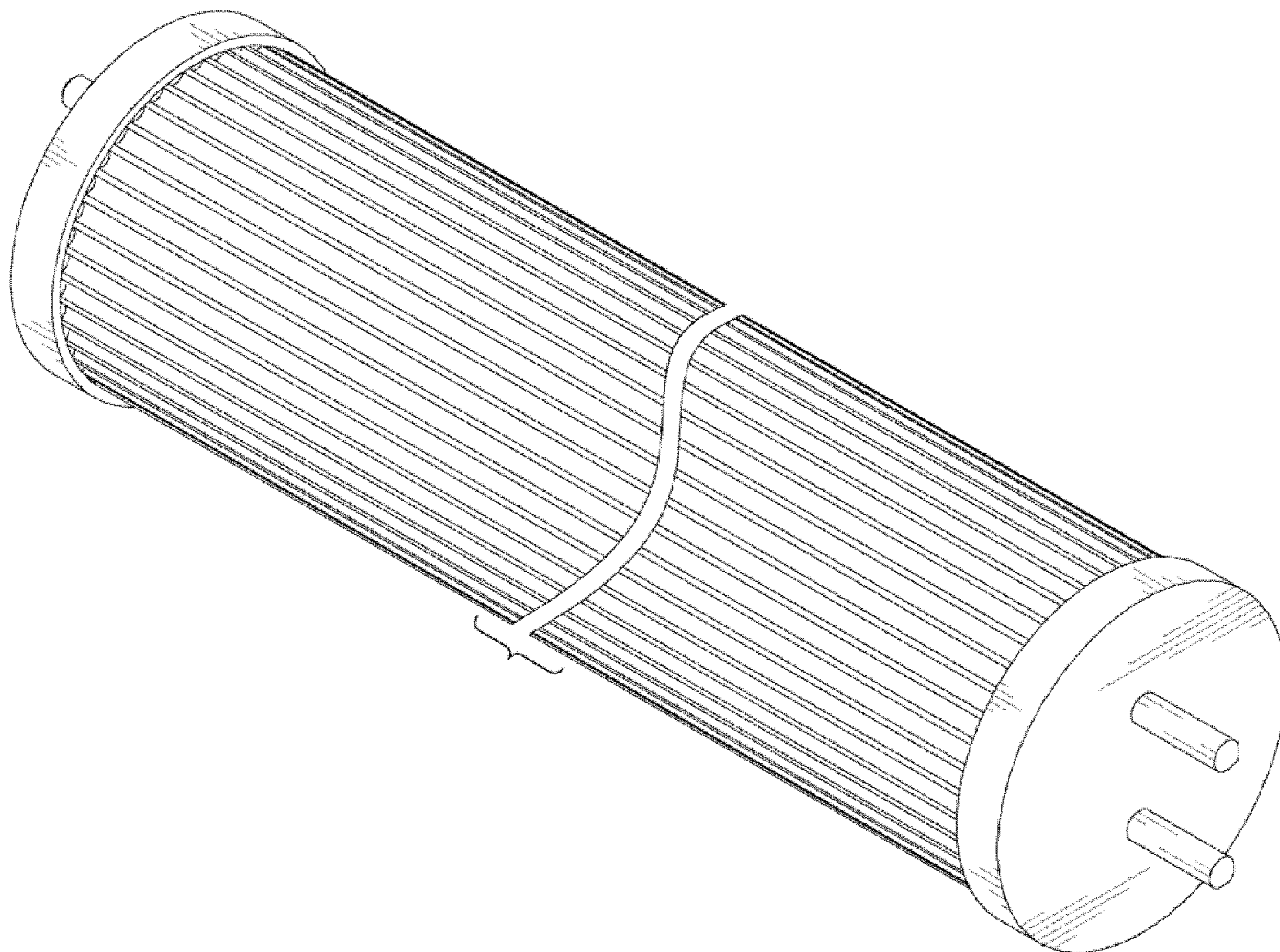
FIG. 5 is a right-side, elevational view thereof.

FIG. 6 is a top plan view thereof.

FIG. 7 is a bottom plan view thereof; and,

FIG. 8 is an enlarged cross-sectional view thereof taken along the line VIII—VIII in FIG. 7.

1 Claim, 8 Drawing Sheets



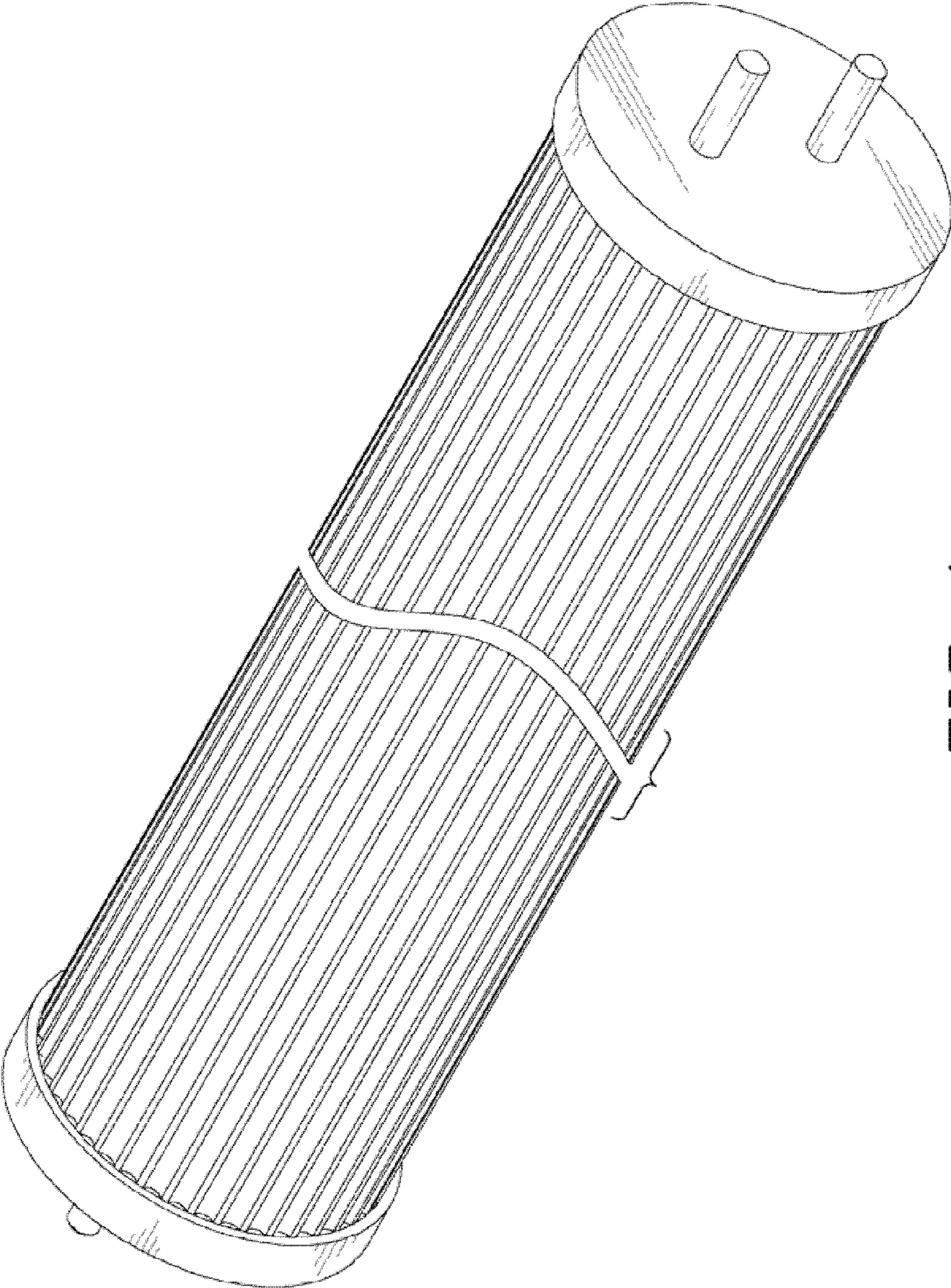


FIG. 1

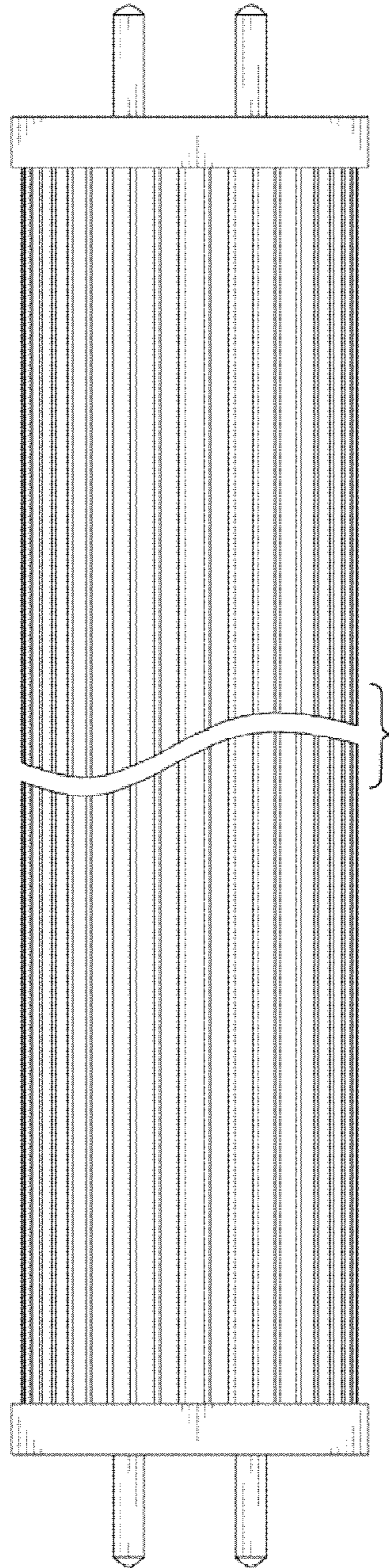


FIG. 2

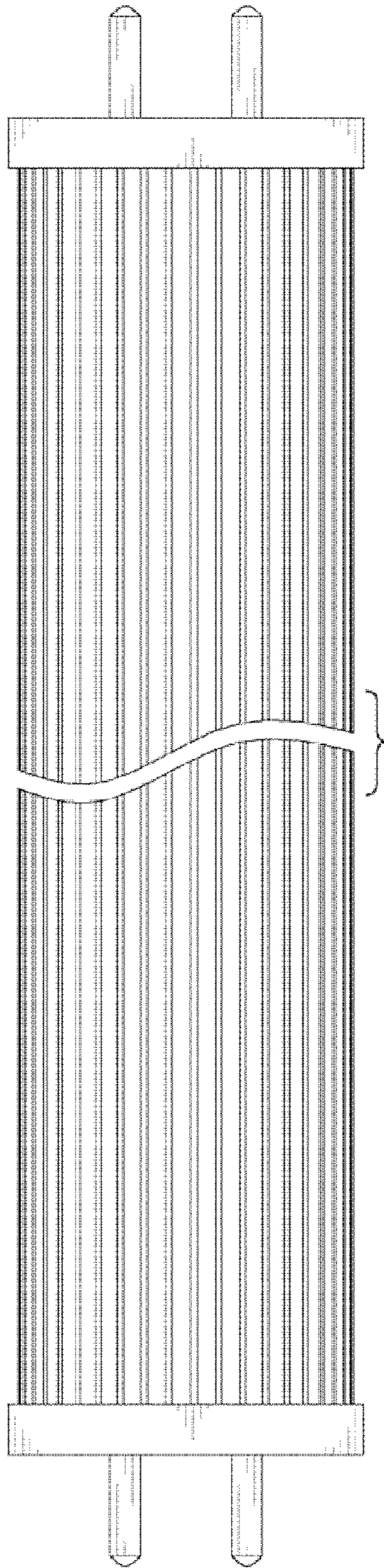


FIG. 3

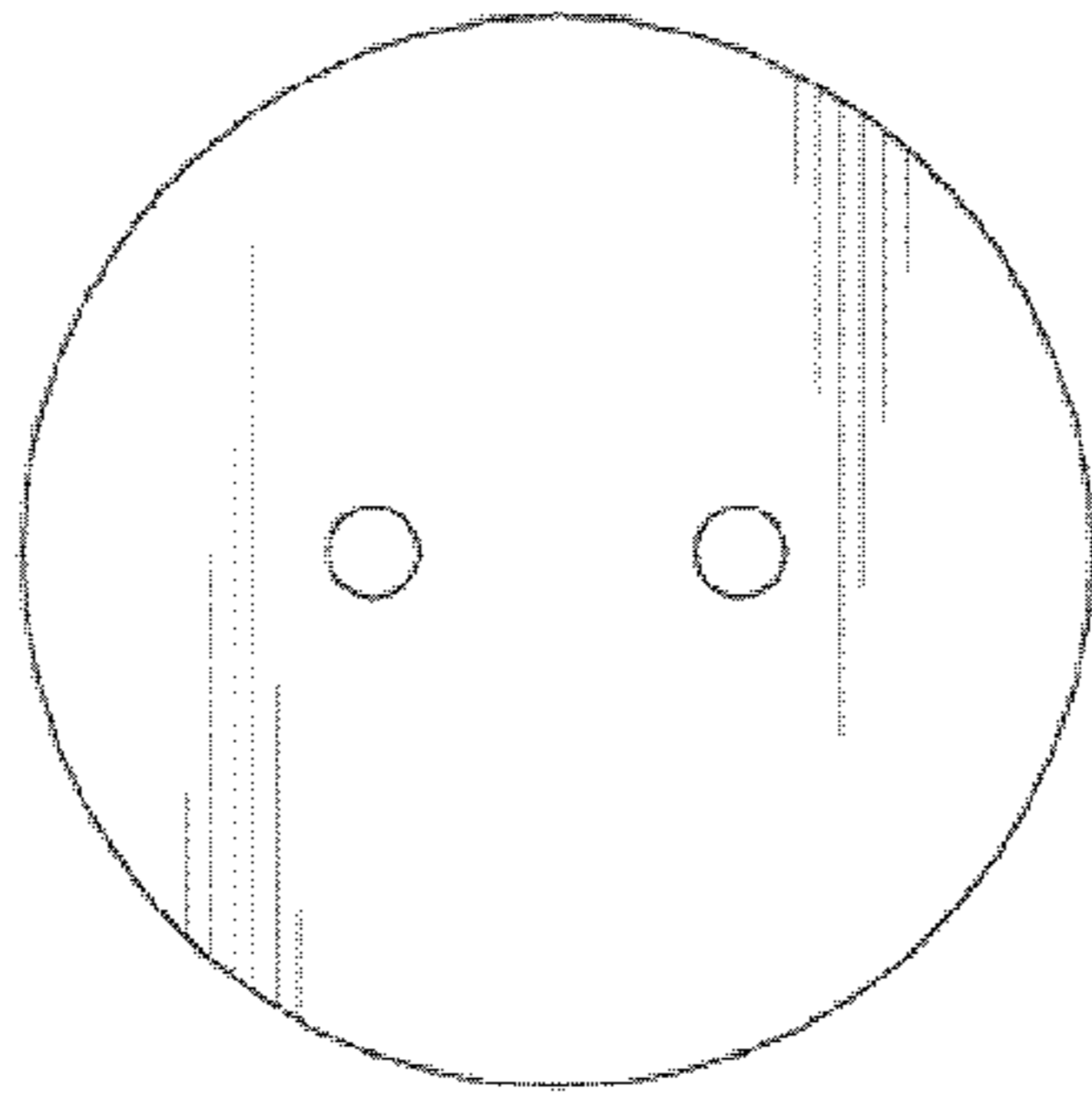


FIG. 4

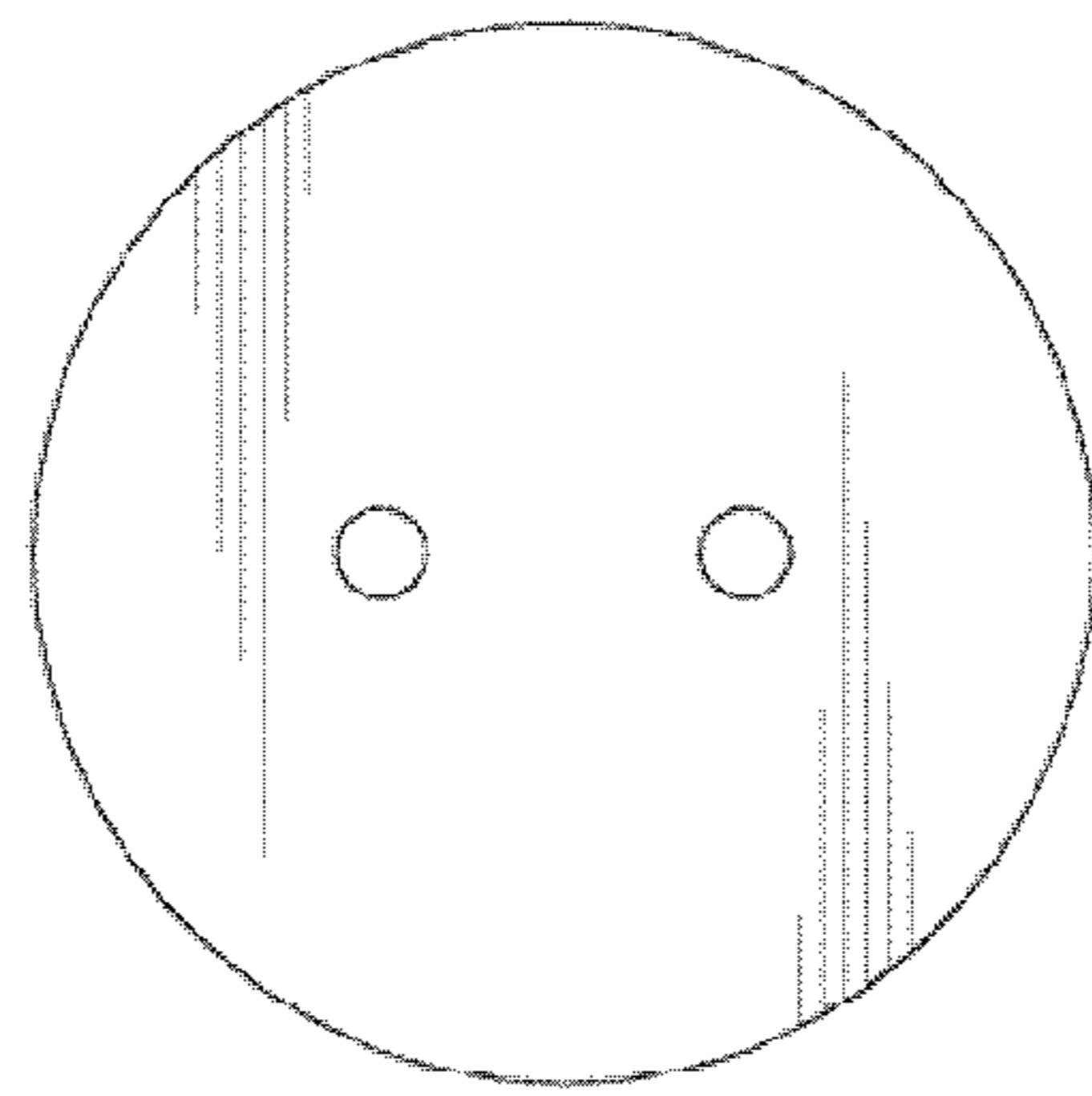


FIG. 5

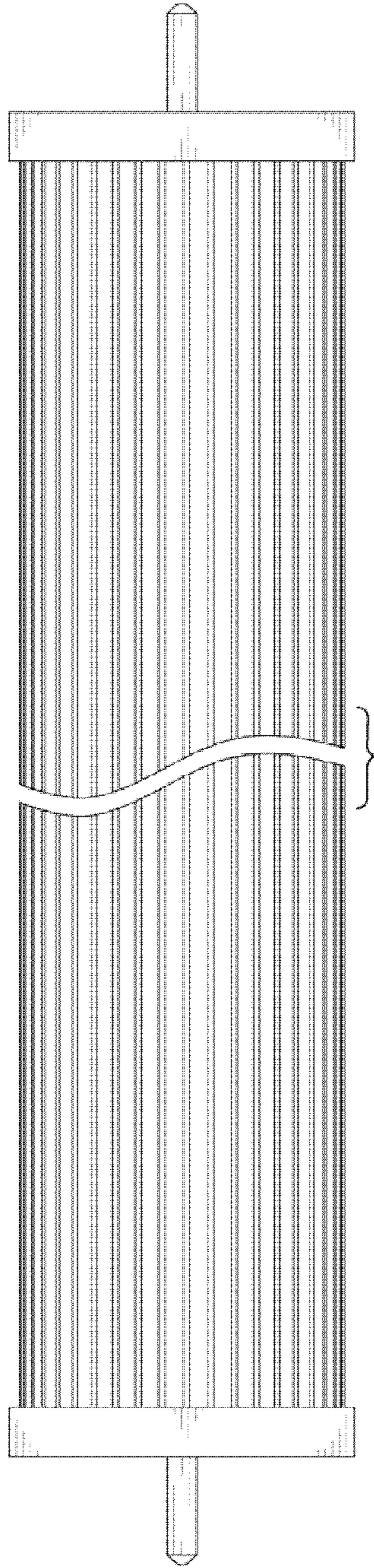


FIG. 6

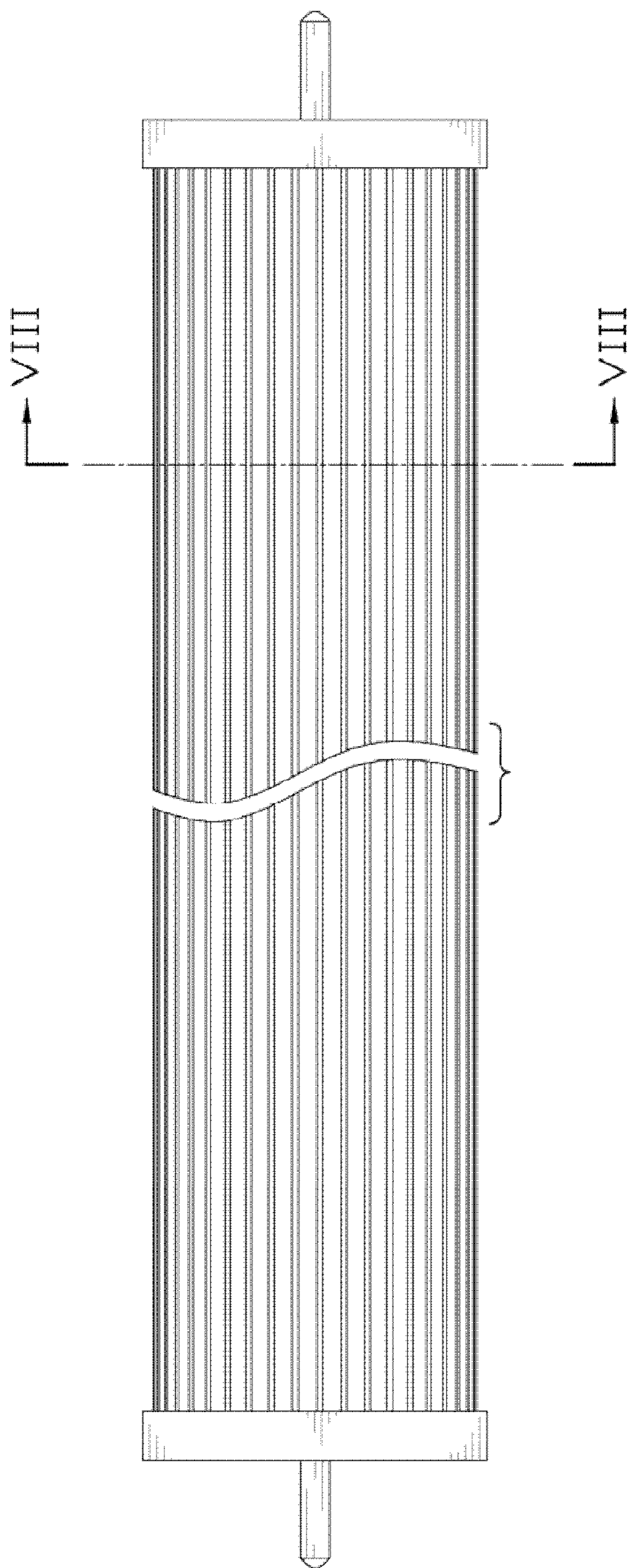


FIG. 7

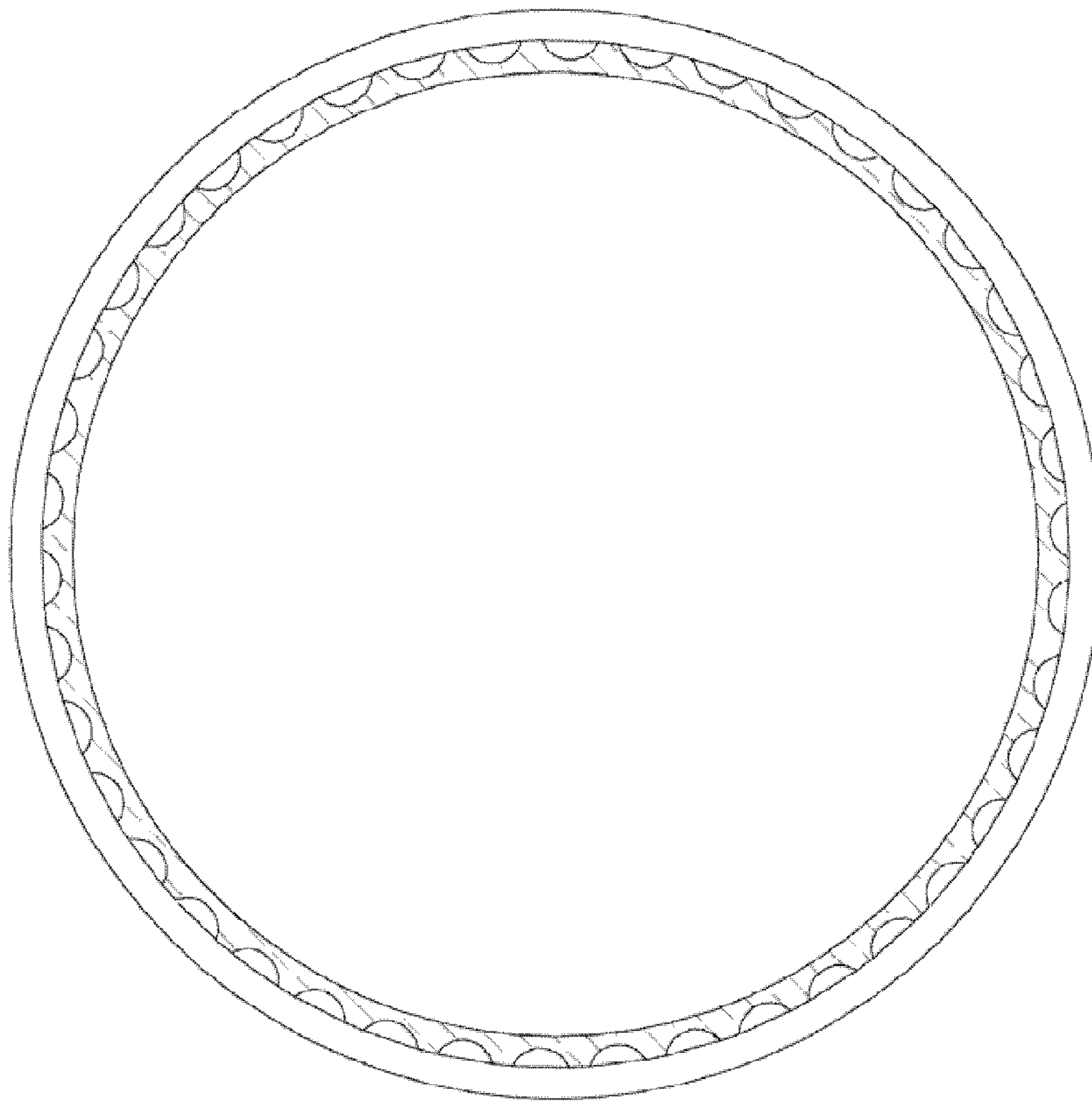


FIG. 8