



US00D655831S

(12) **United States Design Patent**
Yuen

(10) **Patent No.:** **US D655,831 S**
(45) **Date of Patent:** **** Mar. 13, 2012**

(54) **LED LIGHT BULB**

(75) Inventor: **Se Kit Yuen**, Kowloon Tong (HK)

(73) Assignee: **John Manufacturing Ltd.**, Kowloon (HK)

(**) Term: **14 Years**

(21) Appl. No.: **29/396,525**

(22) Filed: **Jun. 30, 2011**

(30) **Foreign Application Priority Data**

Dec. 31, 2010 (HK) 1002524

(51) **LOC (9) Cl.** **26-04**

(52) **U.S. Cl.** **D26/2**

(58) **Field of Classification Search** D26/1-4;
313/313, 315, 316, 317, 318, 493; 315/52,
315/53, 56, 57, 58

See application file for complete search history.

(56) **References Cited**

U.S. PATENT DOCUMENTS

D531,741 S * 11/2006 Takahashi D26/2
D538,950 S * 3/2007 Maxik D26/2
D538,953 S * 3/2007 Mama D26/2

D548,369 S * 8/2007 Bembridge D26/2
D549,360 S * 8/2007 An D26/2
D550,864 S * 9/2007 Hernandez et al. D26/2
D553,267 S * 10/2007 Yuen D26/2
D602,614 S * 10/2009 Takahashi et al. D26/2
D628,320 S * 11/2010 Yamamoto D26/2
D645,997 S * 9/2011 Wey et al. D26/2

* cited by examiner

Primary Examiner — Marcus Jackson

(74) *Attorney, Agent, or Firm* — Intellectual Property Law Group LLP

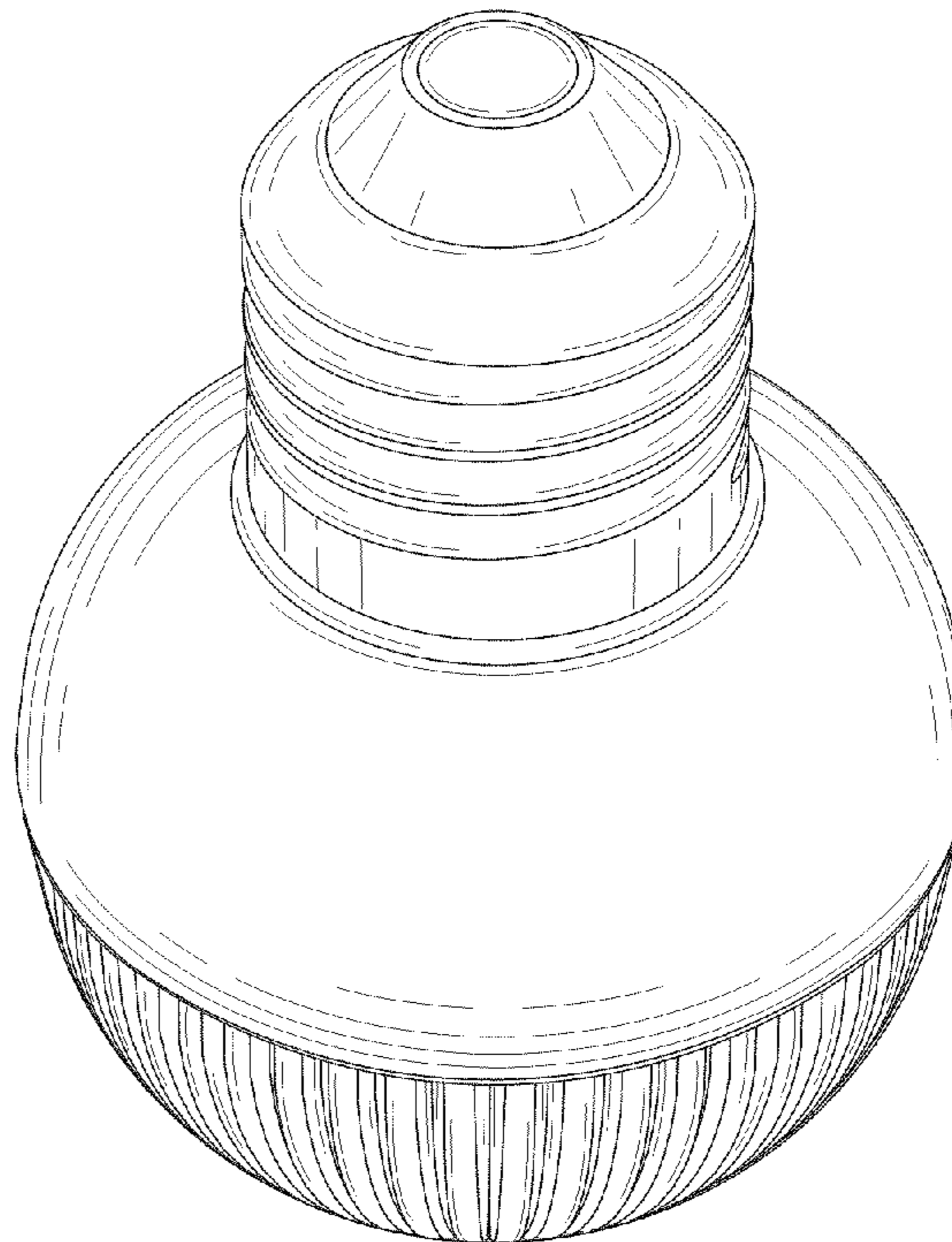
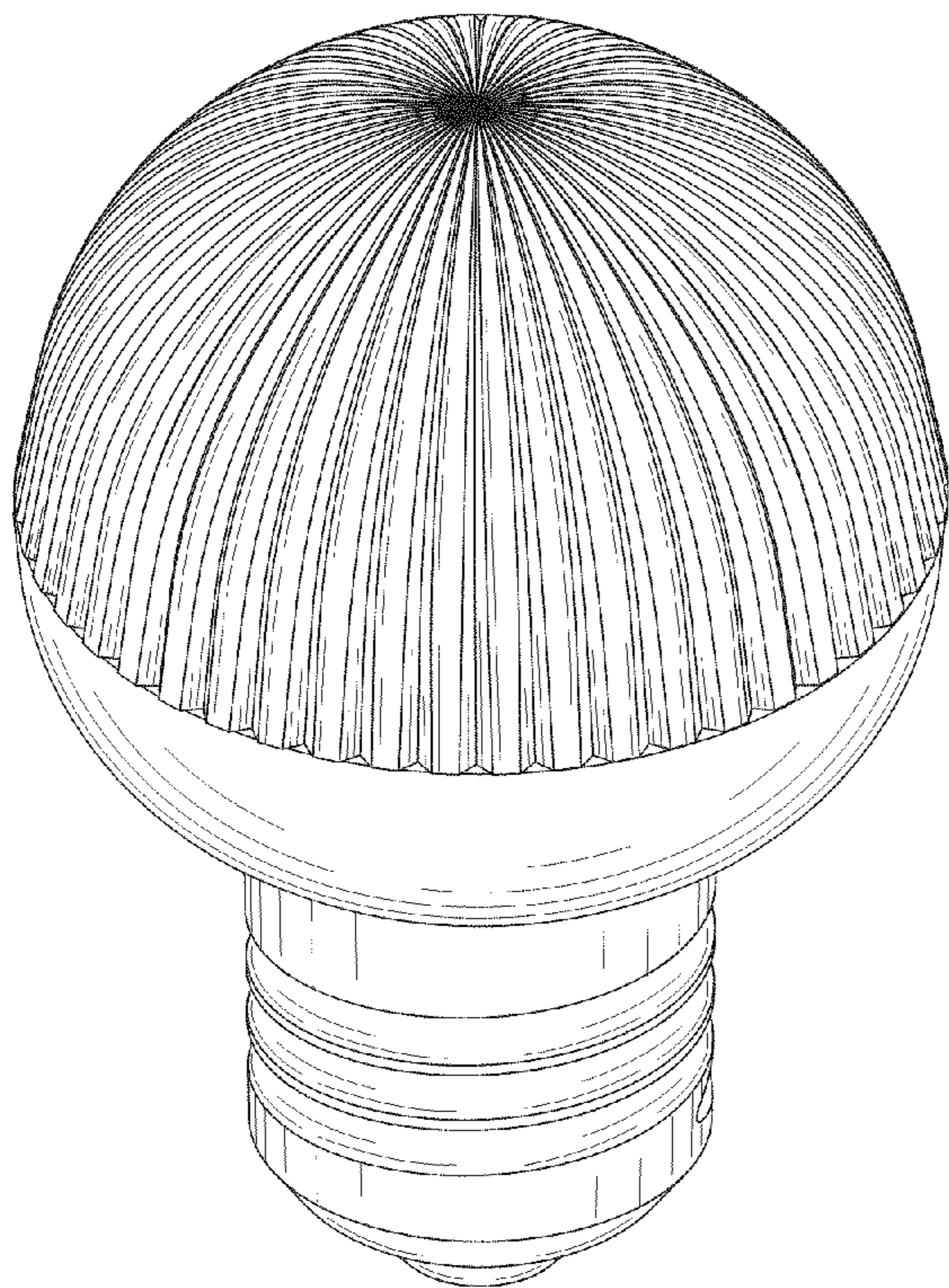
(57) **CLAIM**

The ornamental design for an LED light bulb, as shown and described.

DESCRIPTION

FIG. 1 is a top, front perspective view of an LED light bulb embodying my is new design;
FIG. 2 is a bottom, rear perspective view thereof;
FIG. 3 is a rear elevational view thereof;
FIG. 4 is a front elevational view thereof;
FIG. 5 is a right side elevational view thereof;
FIG. 6 is a left side elevational view thereof;
FIG. 7 is a top plan view thereof; and,
FIG. 8 is a bottom plan view thereof.

1 Claim, 4 Drawing Sheets



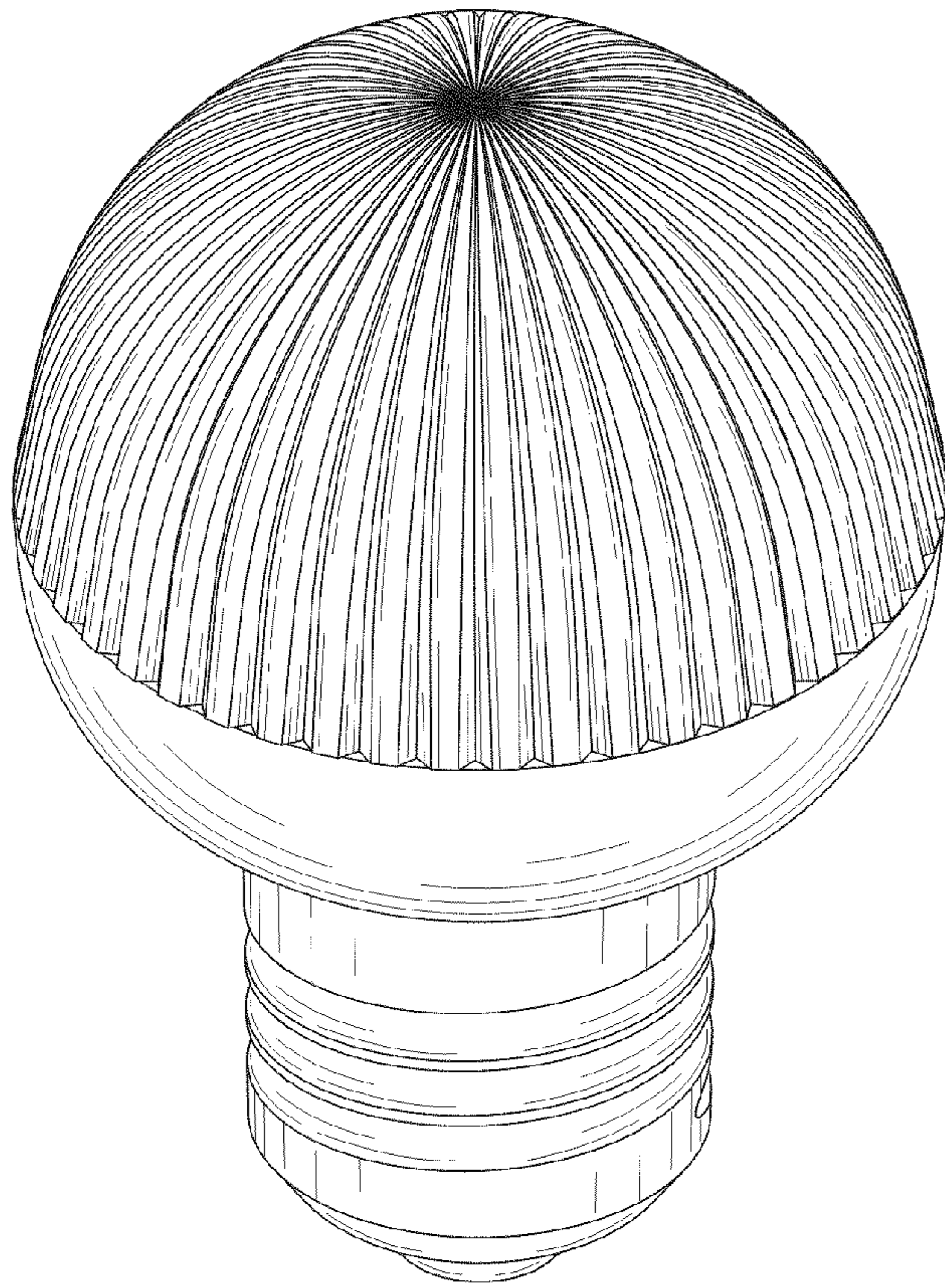


FIG. 1

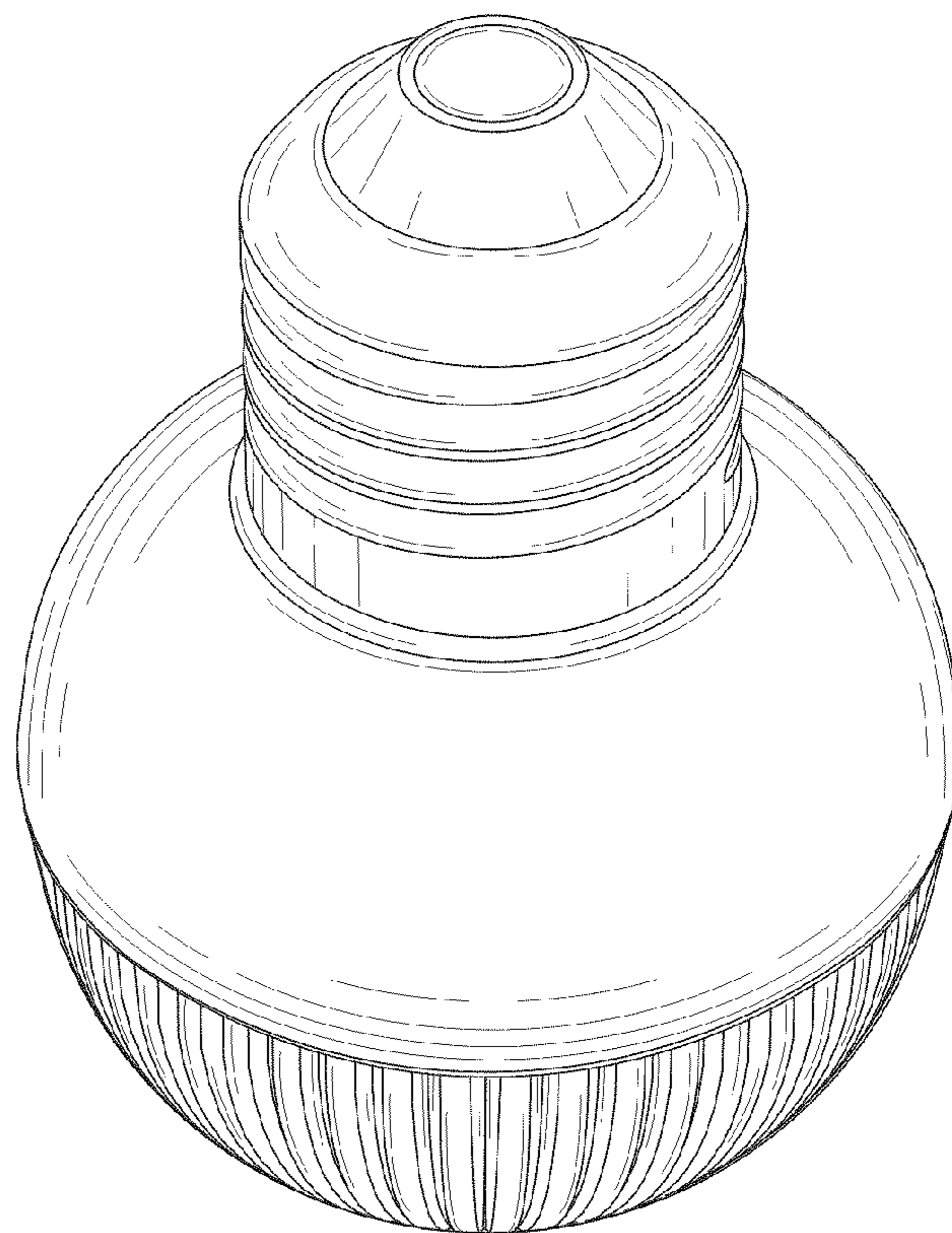


FIG. 2

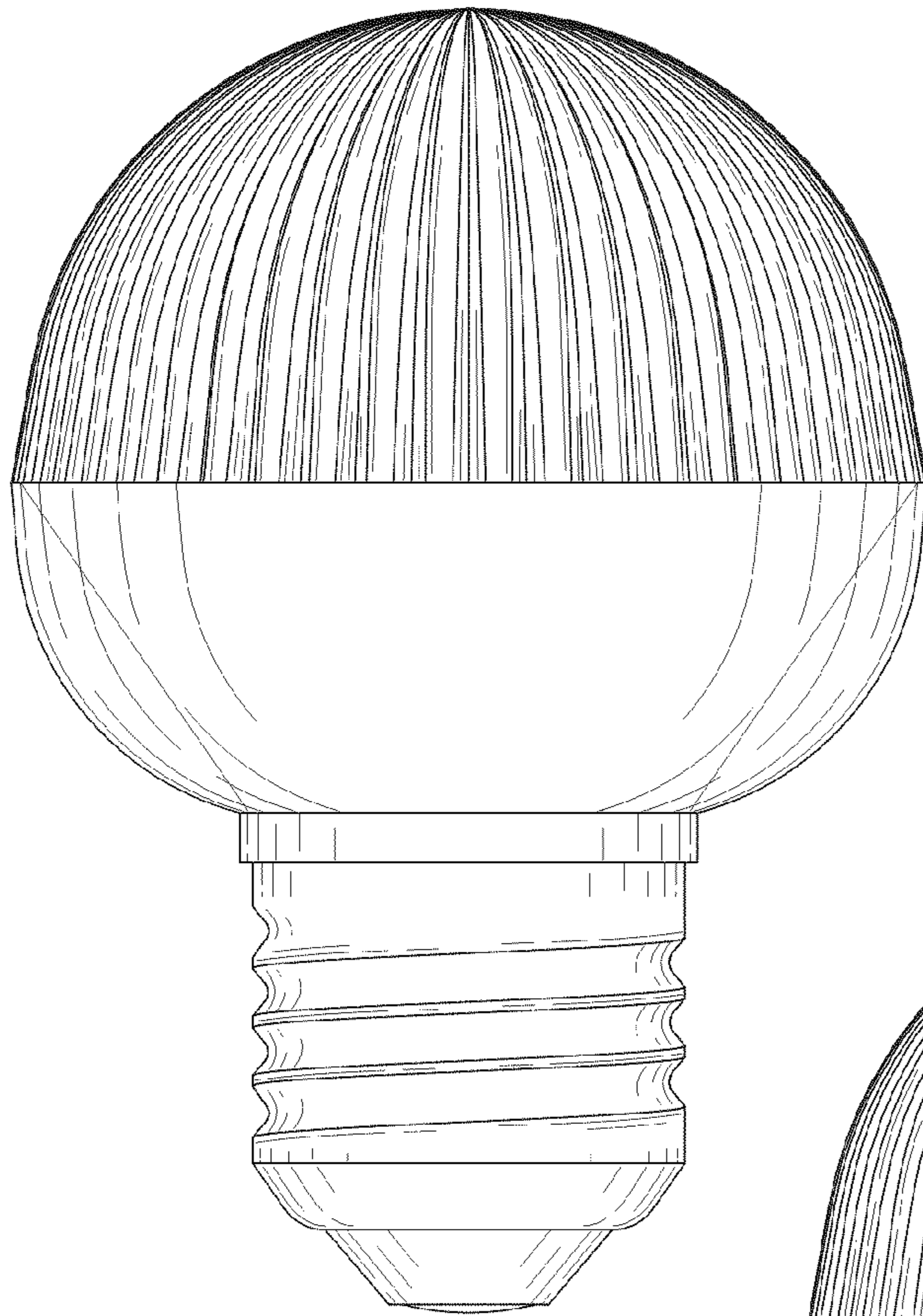


FIG. 3

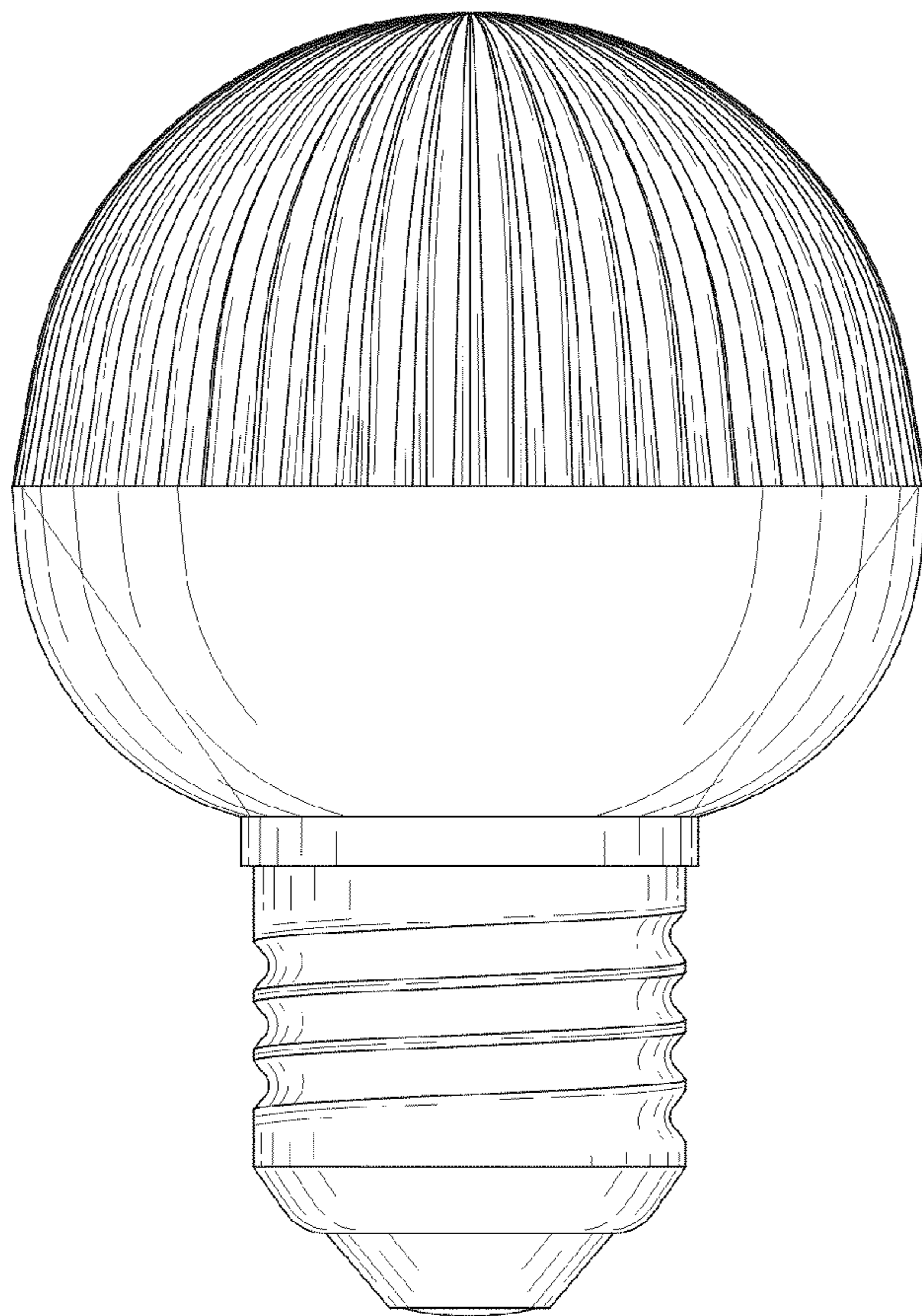


FIG. 4

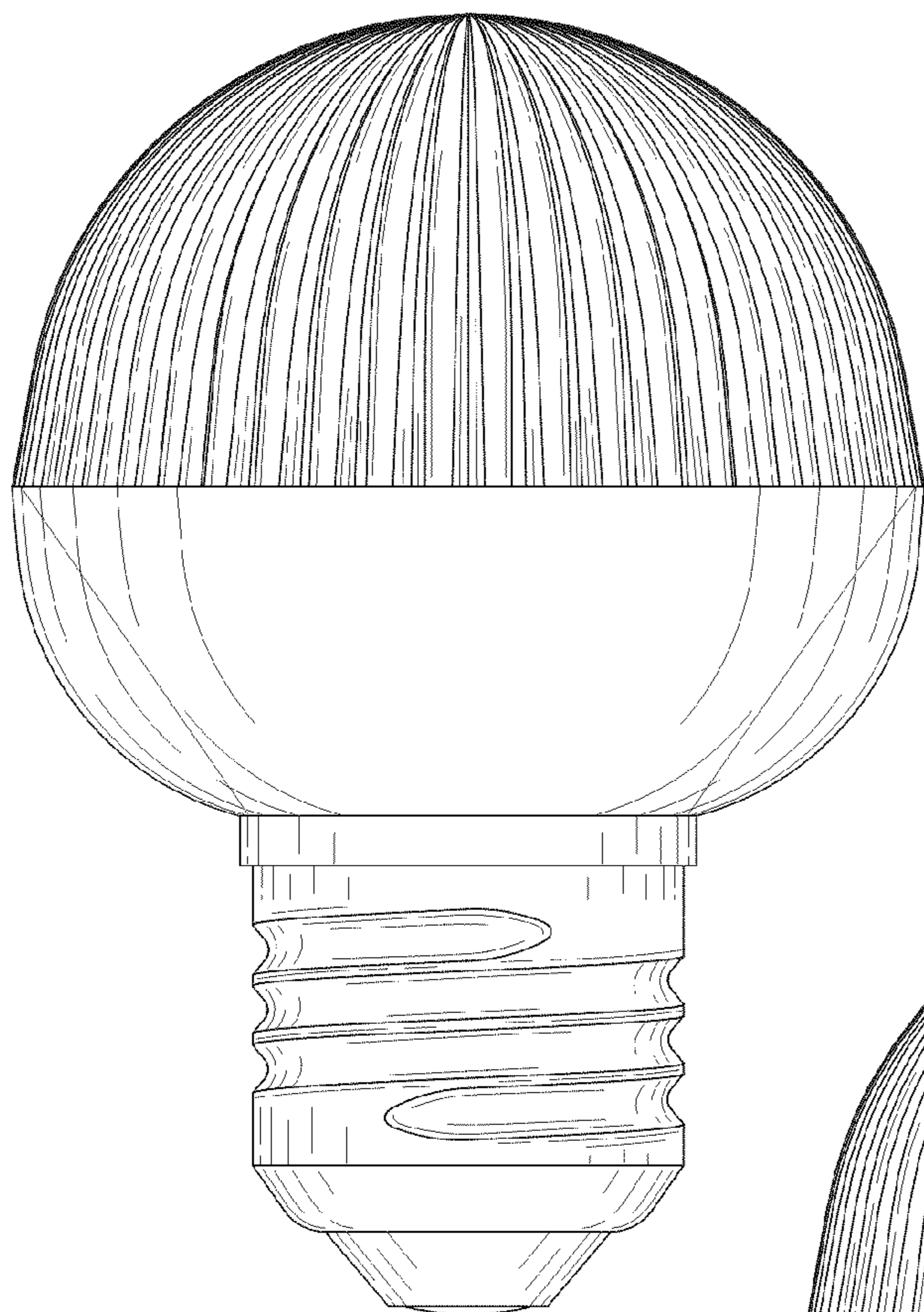


FIG. 5

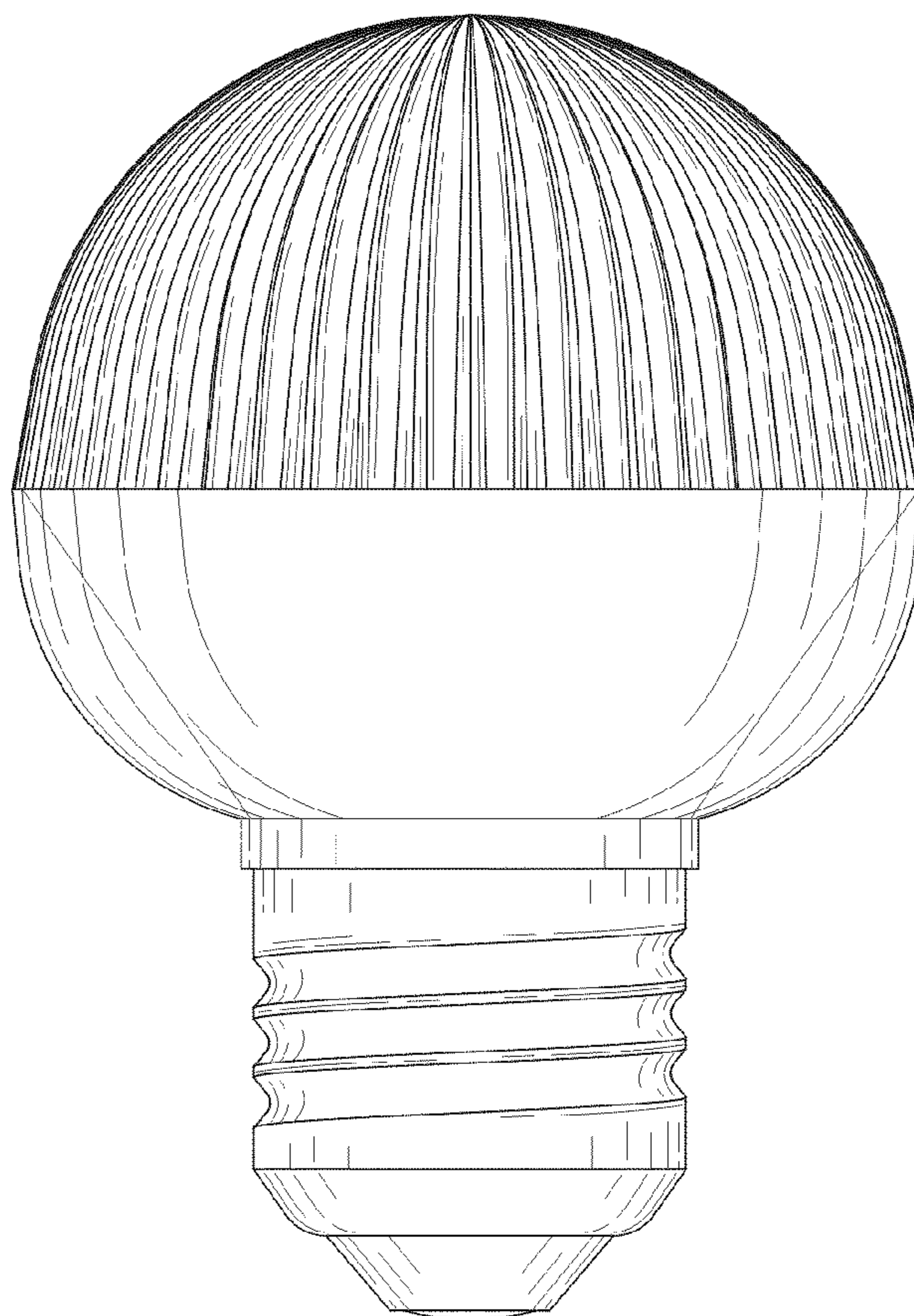


FIG. 6

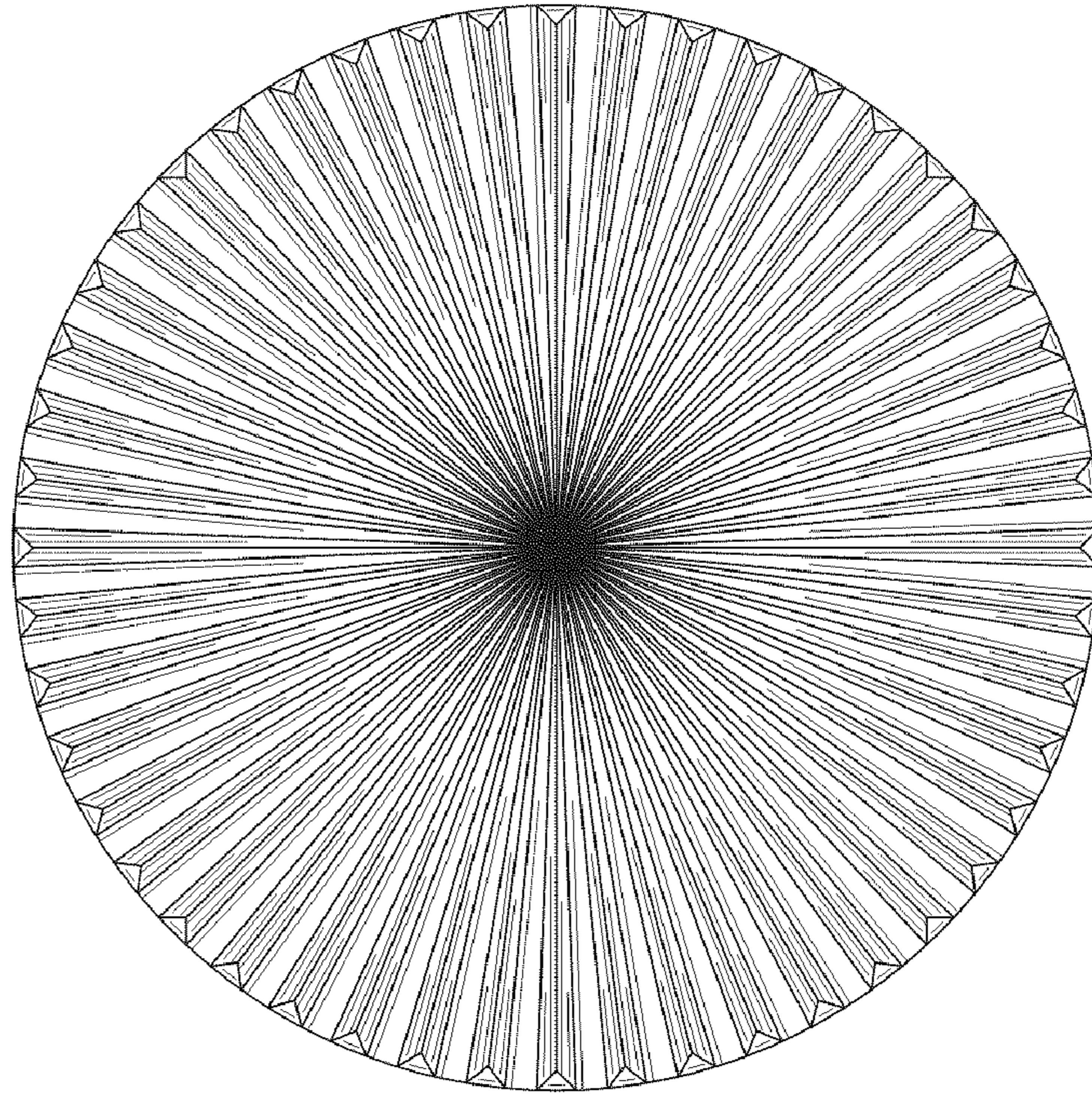


FIG. 7

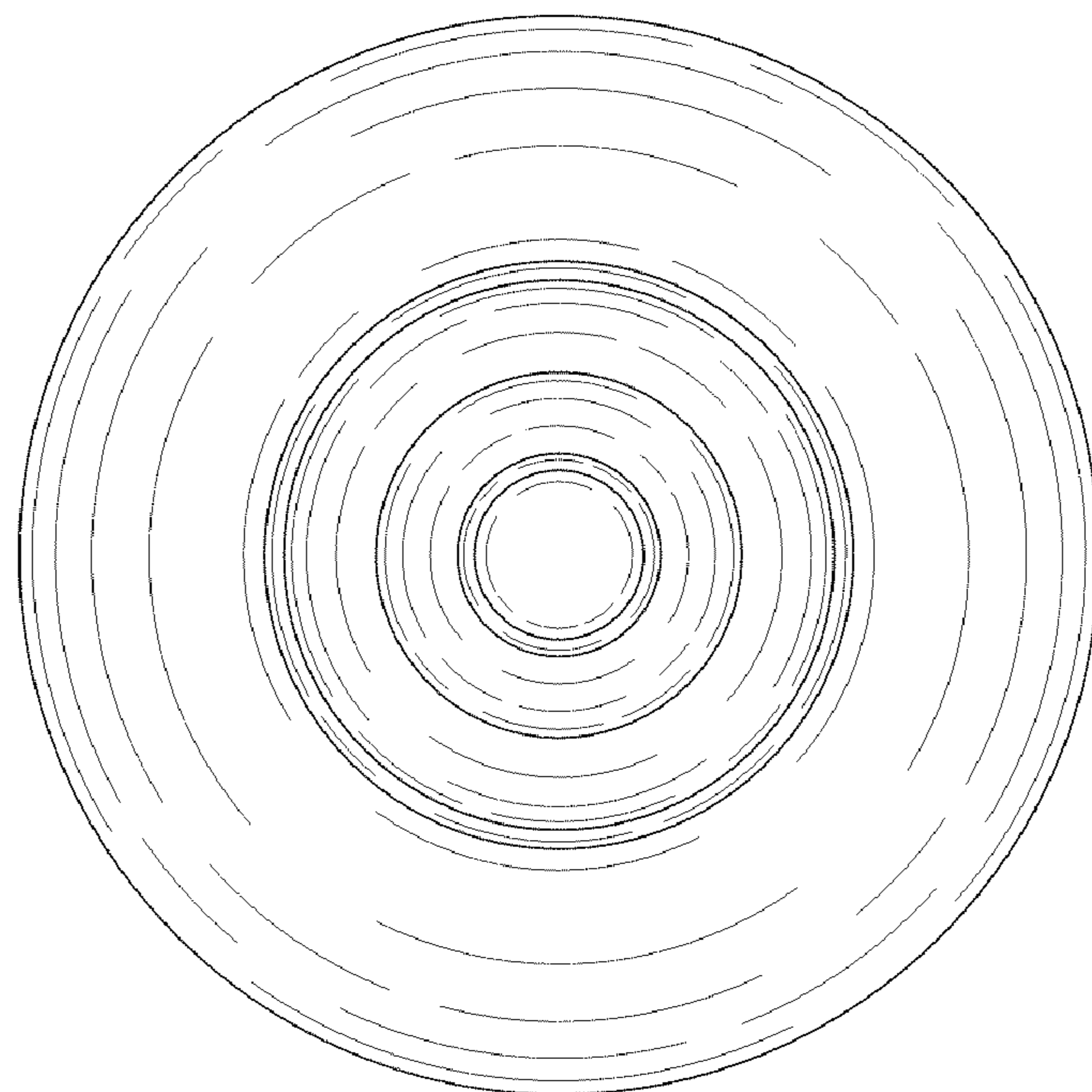


FIG. 8