



US00D655829S

(12) **United States Design Patent**  
**Lee**

(10) **Patent No.:** **US D655,829 S**  
(45) **Date of Patent:** **\*\* Mar. 13, 2012**

(54) **LED LAMP**

(76) Inventor: **Kechin Lee**, Zhongshan (CN)

(\*\*) Term: **14 Years**

(21) Appl. No.: **29/362,878**

(22) Filed: **Jun. 1, 2010**

(51) **LOC (9) Cl.** ..... **26-04**

(52) **U.S. Cl.** ..... **D26/2**

(58) **Field of Classification Search** ..... D26/1-4;  
313/313, 315, 316, 317, 318, 493; 315/52,  
315/53, 56, 57, 58

See application file for complete search history.

(56) **References Cited**

U.S. PATENT DOCUMENTS

D494,688 S \* 8/2004 Van de Ven et al. .... D26/2  
D542,426 S \* 5/2007 Itaya et al. .... D26/2  
D549,361 S \* 8/2007 To et al. .... D26/2

D628,721 S \* 12/2010 Lee ..... D26/2

\* cited by examiner

*Primary Examiner* — Marcus Jackson

(74) *Attorney, Agent, or Firm* — Hulseley, P.C.; William N. Hulseley, III; Loren T. Smith

(57) **CLAIM**

The ornamental design for a LED lamp, as shown and described.

**DESCRIPTION**

FIG. 1 is a perspective view of the LED lamp showing the design.

FIG. 2 is a front elevational view thereof.

FIG. 3 is a left elevational view thereof.

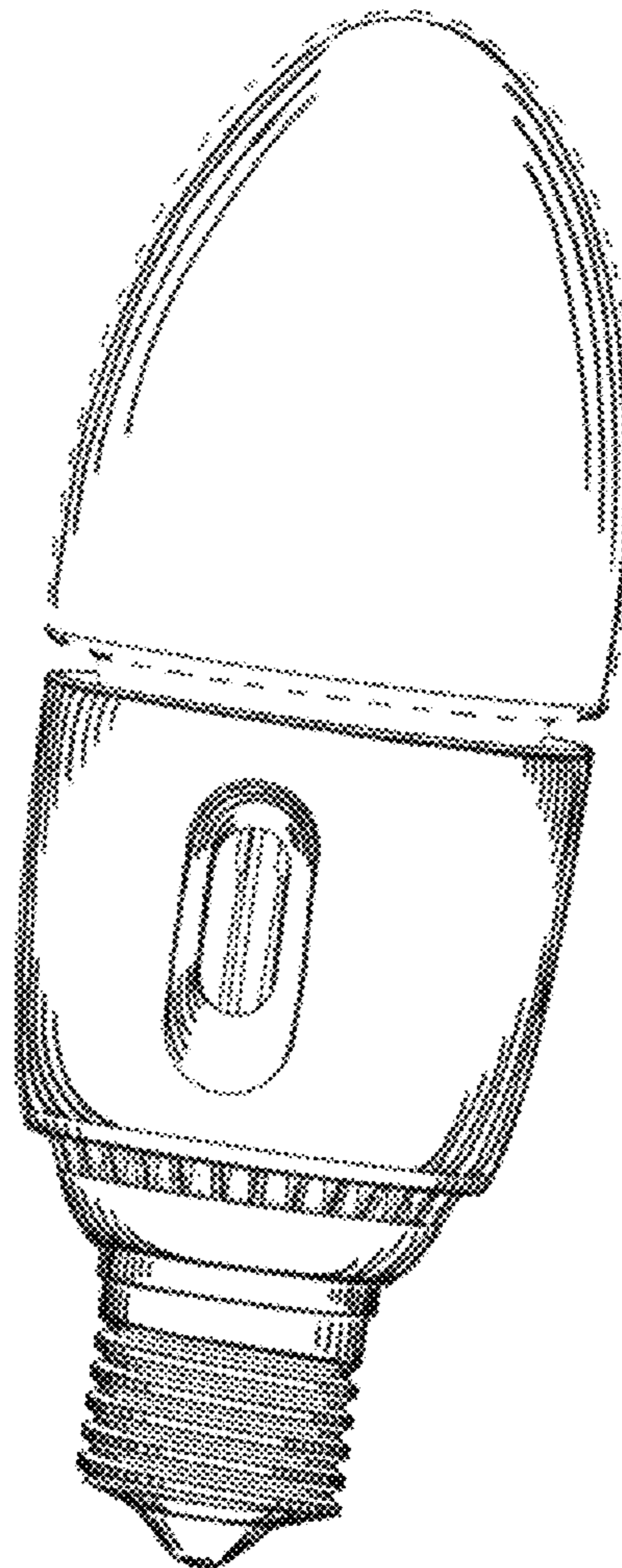
FIG. 4 is a right elevational view thereof, with a portion broken away for ease of illustration;

FIG. 5 is a rear elevational view thereof; and,

FIG. 6 is a top plan view thereof.

The portions of the disclosure shown in broken lines form no part of the claimed design.

**1 Claim, 6 Drawing Sheets**



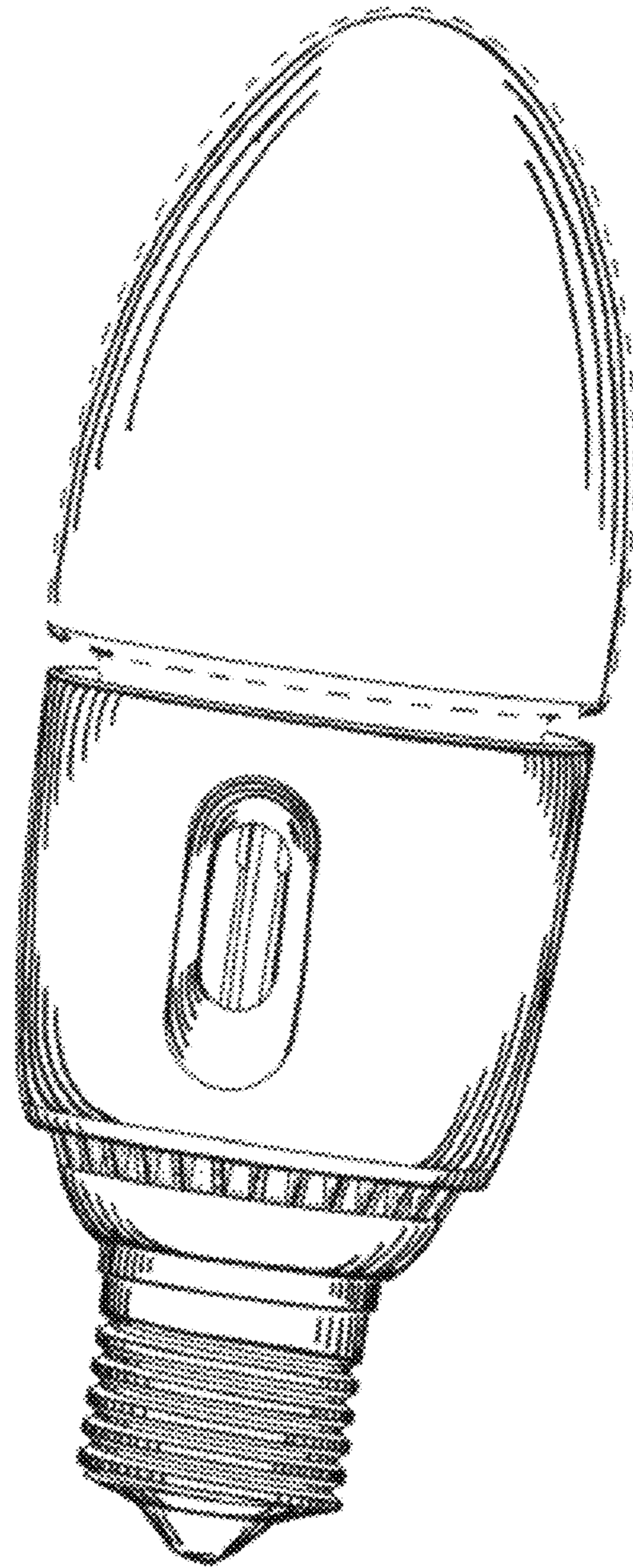


FIG. 1

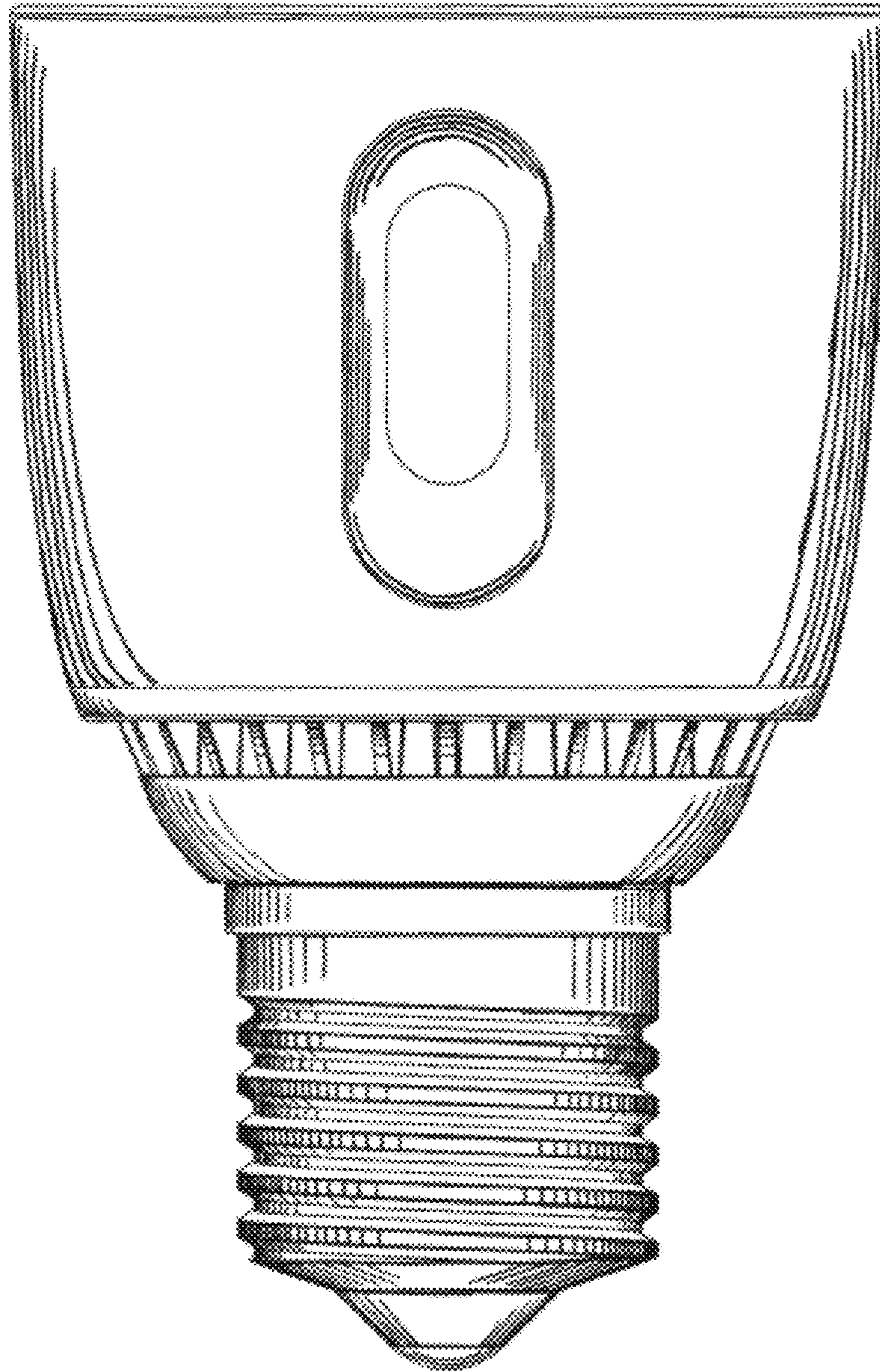


FIG. 2

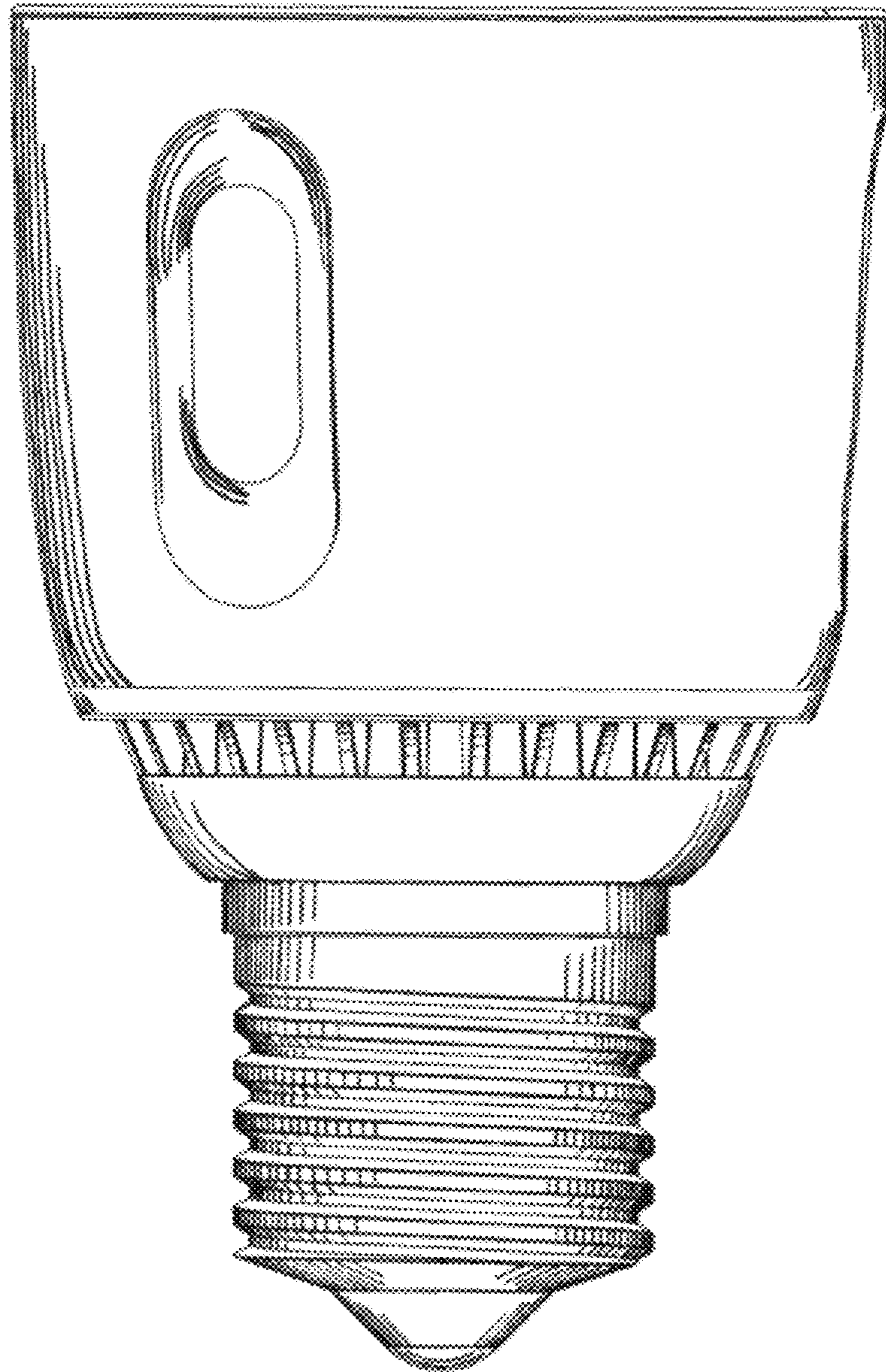


FIG. 3

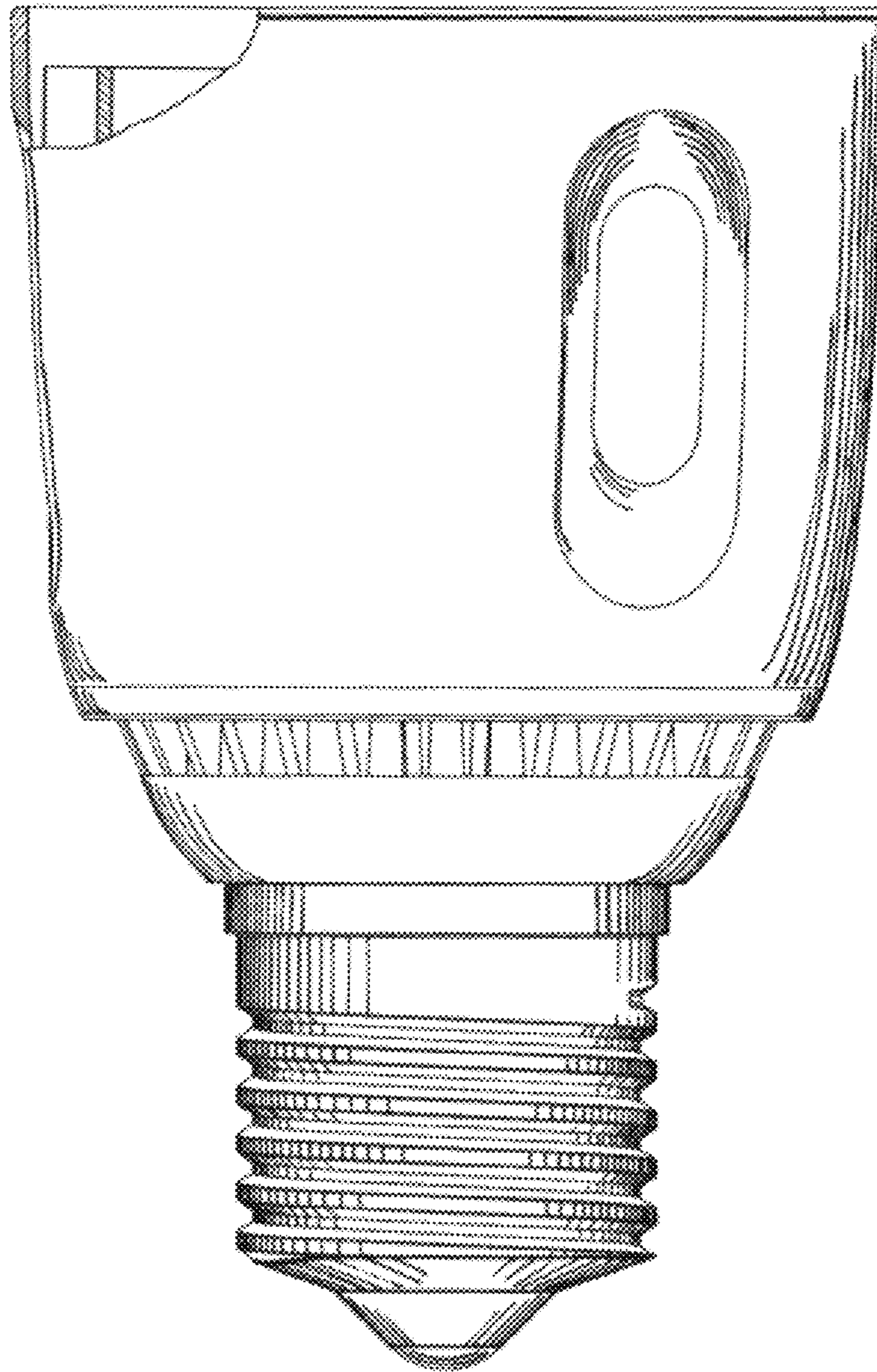


FIG. 4

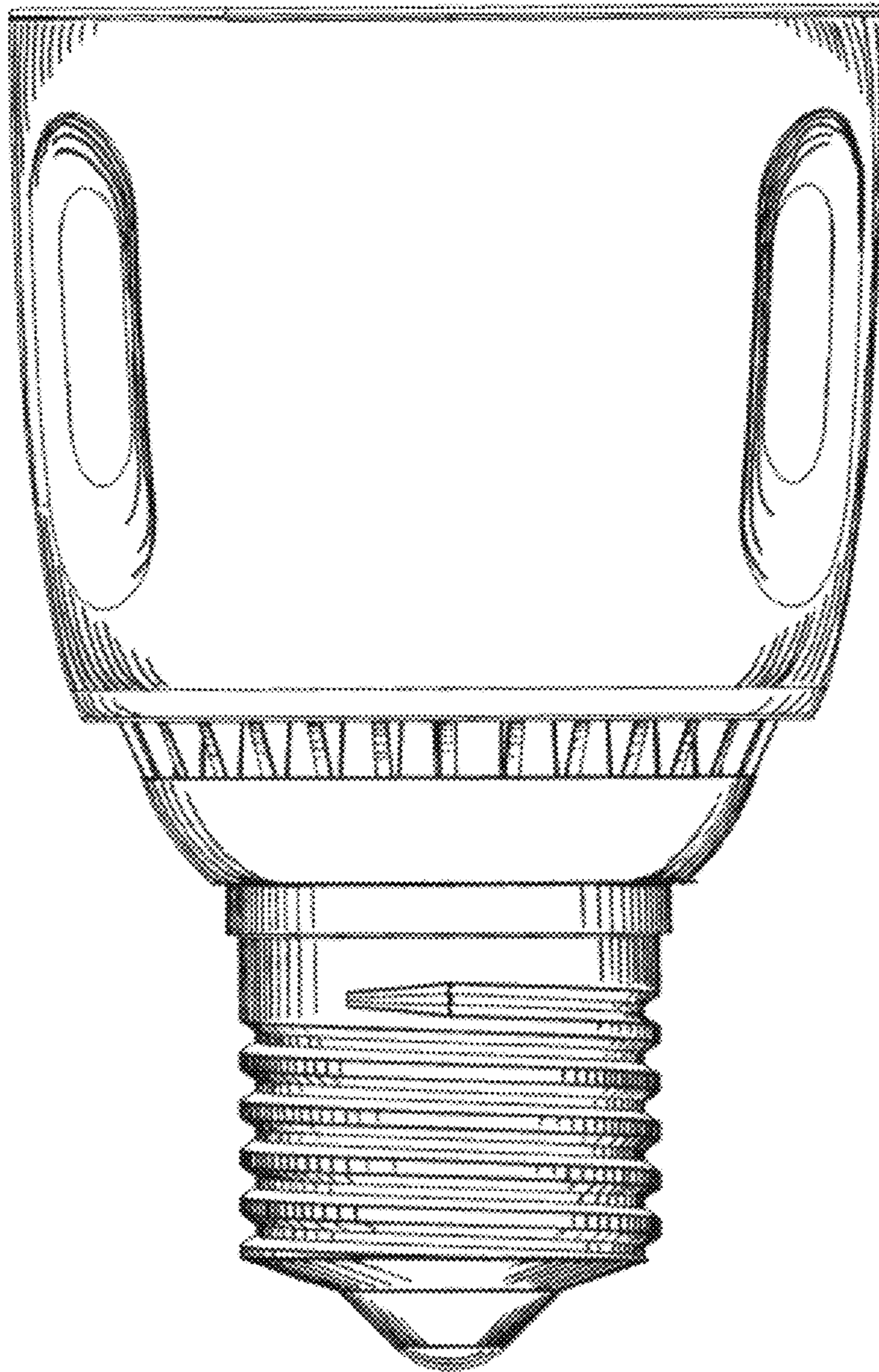


FIG. 5

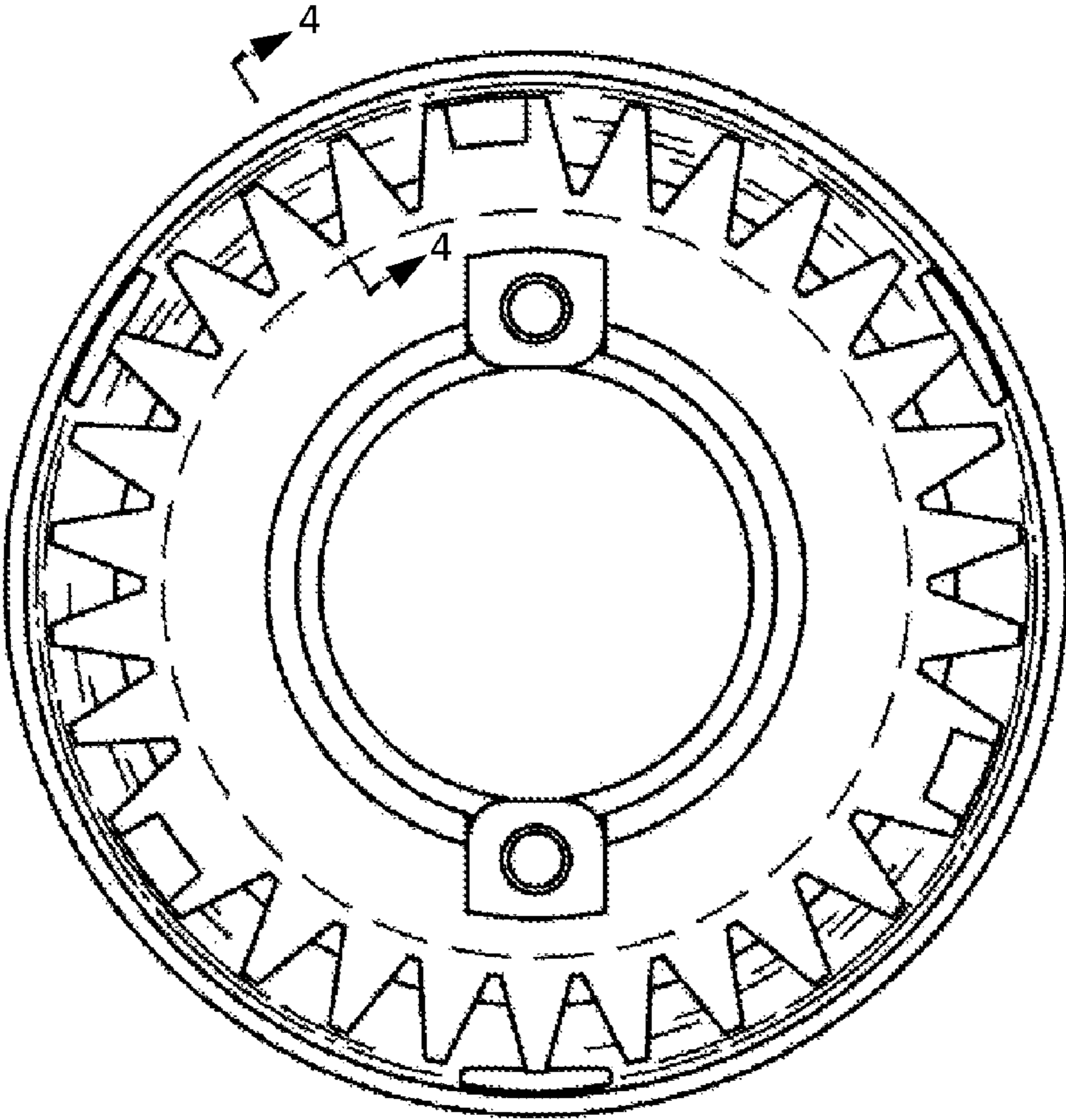


FIG. 6