



US00D655828S

(12) **United States Design Patent**
Suzuki

(10) **Patent No.:** **US D655,828 S**
(45) **Date of Patent:** **** Mar. 13, 2012**

(54) **UNIT BODY FOR FORMING A FOUNDATION OF A HOUSE**

(75) Inventor: **Goshi Suzuki**, Shizuoka (JP)

(73) Assignees: **Sheg Bridge Laboratory Co., Ltd.**,
Shizuoka (JP); **ITEC Corporation**,
Shizuoka (JP)

(**) Term: **14 Years**

(21) Appl. No.: **29/360,244**

(22) Filed: **Apr. 22, 2010**

(30) **Foreign Application Priority Data**

| | | | |
|---------------|------|-------|-------------|
| Oct. 23, 2009 | (JP) | | 2009-024914 |
| Oct. 23, 2009 | (JP) | | 2009-024915 |
| Mar. 19, 2010 | (JP) | | 2010-006848 |
| Mar. 19, 2010 | (JP) | | 2010-006849 |

(51) **LOC (9) Cl.** **25-01**

(52) **U.S. Cl.** **D25/164**

(58) **Field of Classification Search** D25/199,
D25/164; 52/169.9, 169.12, 167.4; 405/229
See application file for complete search history.

(56) **References Cited**

U.S. PATENT DOCUMENTS

D595,872 S * 7/2009 Dunn D25/164
(Continued)

FOREIGN PATENT DOCUMENTS

| | | |
|----|------------|--------|
| JP | 8-144293 | 6/1996 |
| JP | 11-81668 | 3/1999 |
| JP | 2002-21093 | 1/2002 |

(Continued)

Primary Examiner — Doris Clark

(74) *Attorney, Agent, or Firm* — Greer, Burns & Crain, Ltd.

(57) **CLAIM**

The ornamental design for an unit body for forming a foundation of a house, as shown and described.

DESCRIPTION

FIG. 1 is a front view of a first embodiment of the unit body for forming a foundation of a house showing my new design; FIG. 2 is a rear view of the unit body for forming a foundation of a house of FIG. 1;

FIG. 3 is a plan view of the unit body for forming a foundation of a house of FIG. 1;

FIG. 4 is a bottom view of the unit body for forming a foundation of a house of FIG. 1;

FIG. 5 is a left side view of the unit body for forming a foundation of a house of FIG. 1;

FIG. 6 is a right side view of the unit body for forming a foundation of a house of FIG. 1;

FIG. 7 is a perspective view of the unit body for forming a foundation of a house of FIG. 1;

FIG. 8 is a front view of a second embodiment of the unit body for forming a foundation of a house showing my new design;

FIG. 9 is a rear view of unit body for forming a foundation of a house of FIG. 8;

FIG. 10 is a plan view of the unit body for forming a foundation of a house of FIG. 8;

FIG. 11 is a bottom view of the unit body for forming a foundation of a house of FIG. 8;

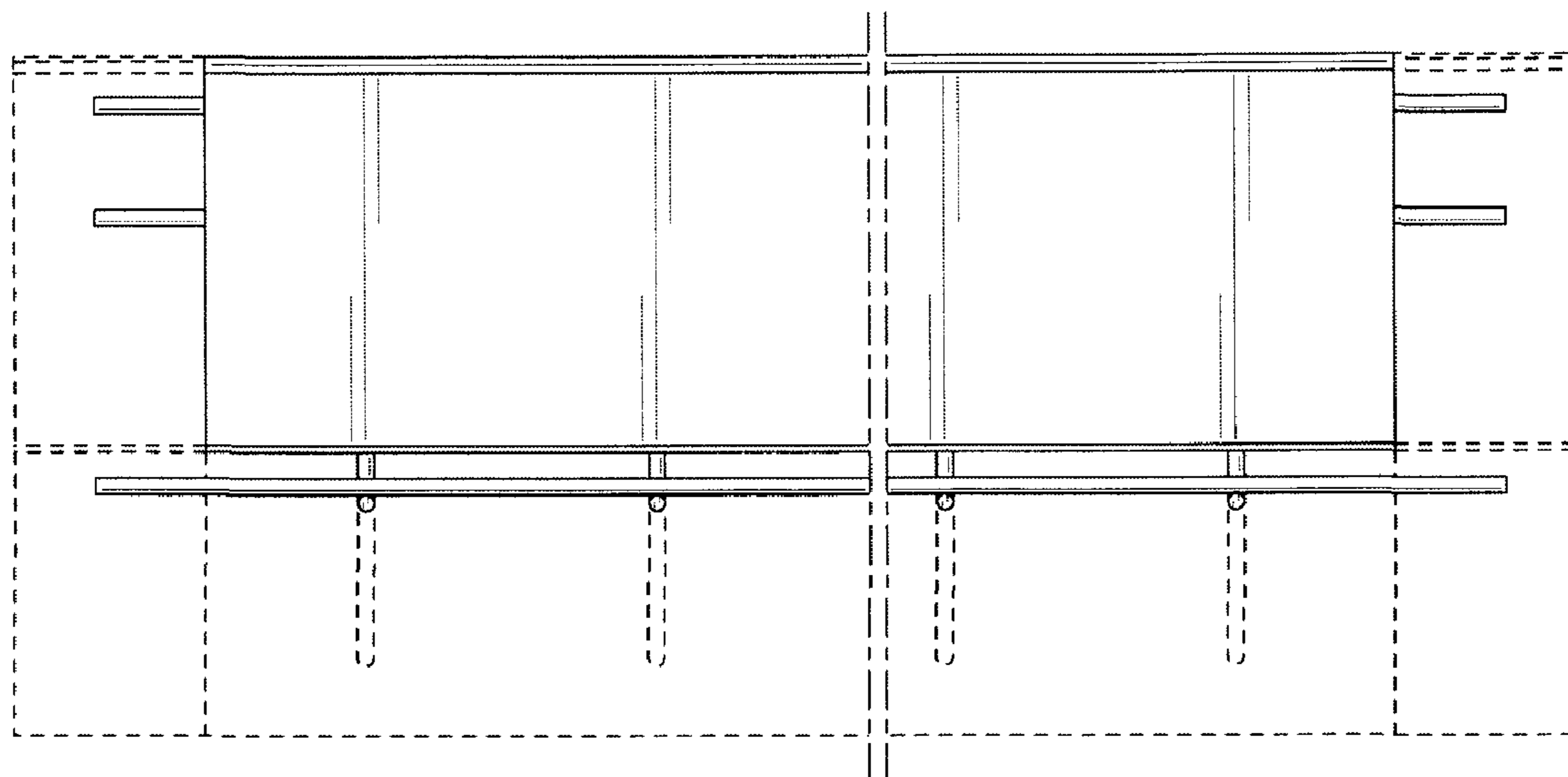
FIG. 12 is a left side view of the unit body for forming a foundation of a house of FIG. 8;

FIG. 13 is a right side view of the unit body for forming a foundation of a house of FIG. 8; and,

FIG. 14 is a perspective view of the unit body for forming a foundation of a house of FIG. 8.

The broken lines are for illustrative purposes only and form no part of the claimed design.

1 Claim, 6 Drawing Sheets



US D655,828 S

Page 2

U.S. PATENT DOCUMENTS

D606,670 S * 12/2009 Keeley D25/121
2005/0028457 A1 * 2/2005 Davis 52/169.12
2005/0141969 A1 * 6/2005 Gregory et al. 405/230
2007/0079563 A1 * 4/2007 Simpson 52/169.12

FOREIGN PATENT DOCUMENTS

JP 2002-121748 4/2002
JP 2005-320686 11/2005
* cited by examiner

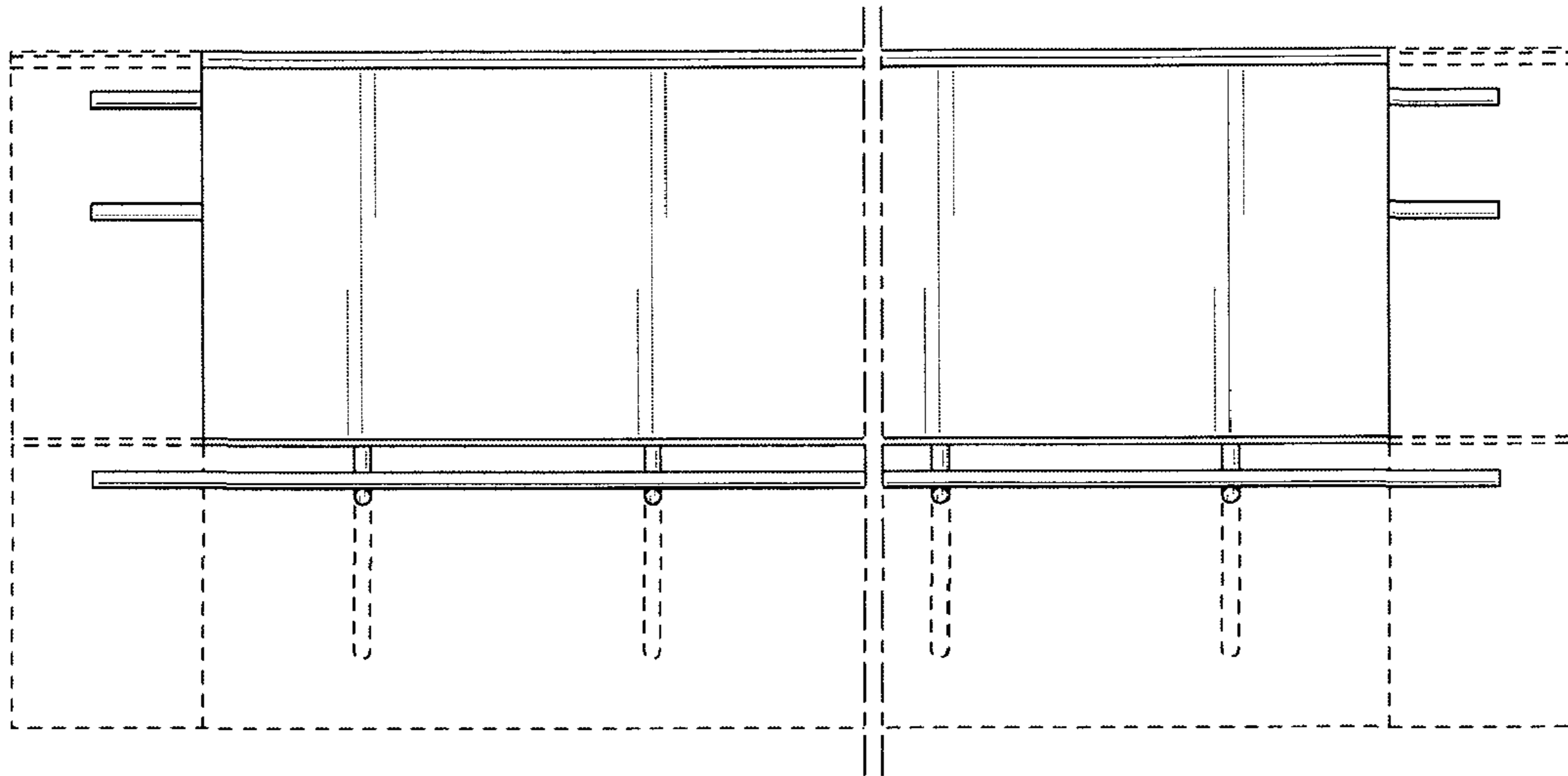


FIG. 1

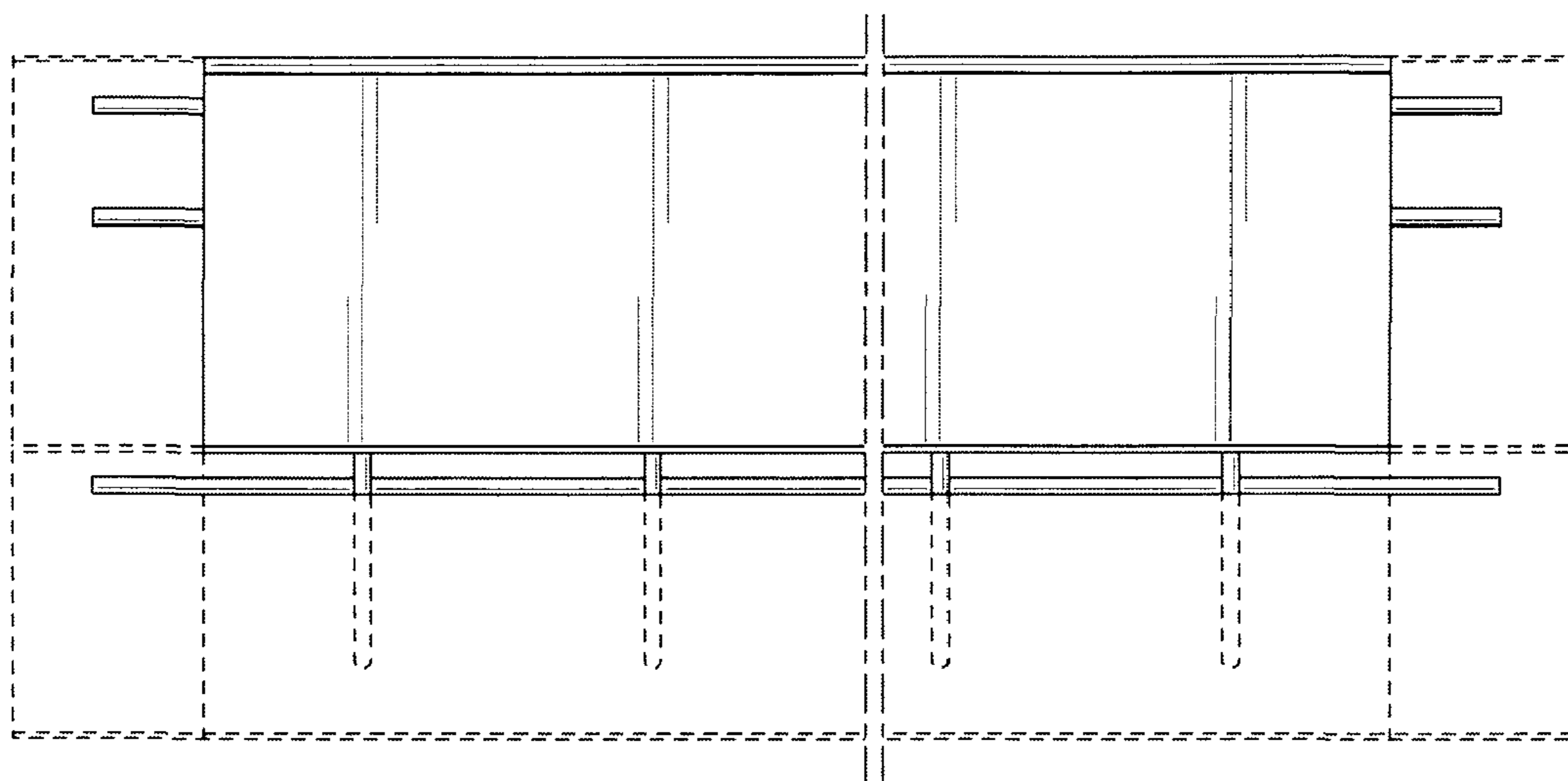


FIG. 2

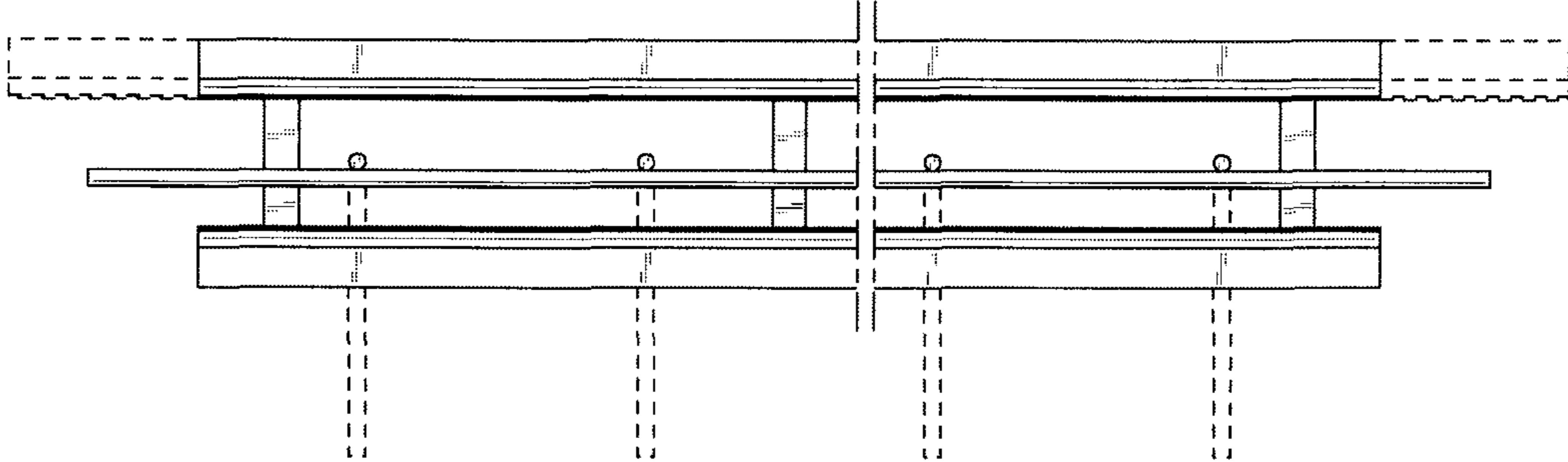


FIG. 3

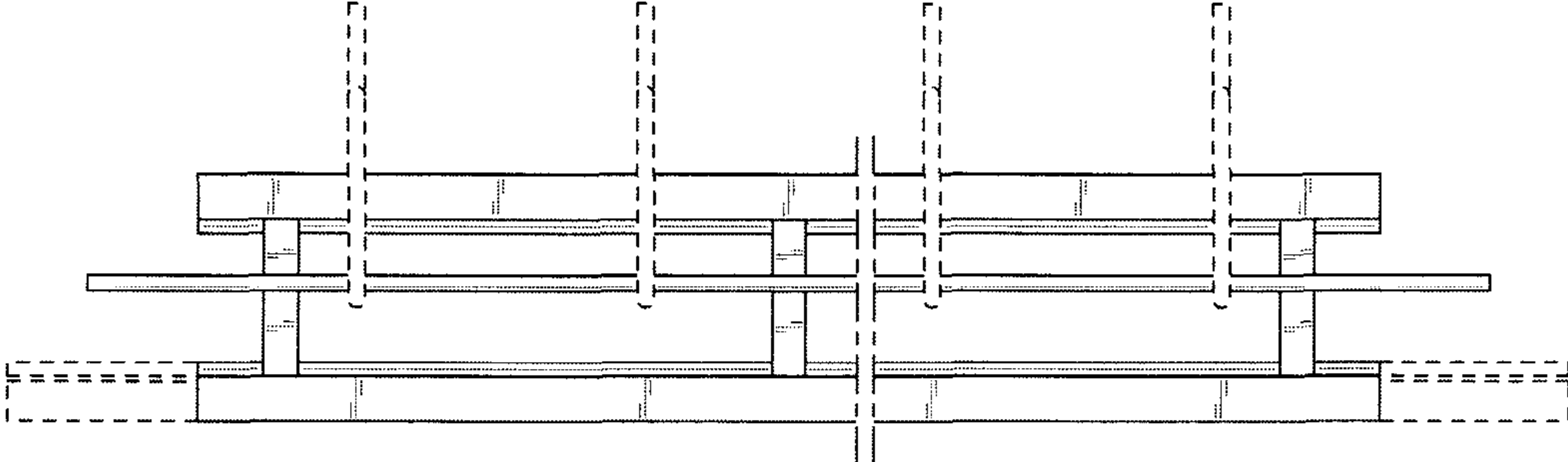


FIG. 4

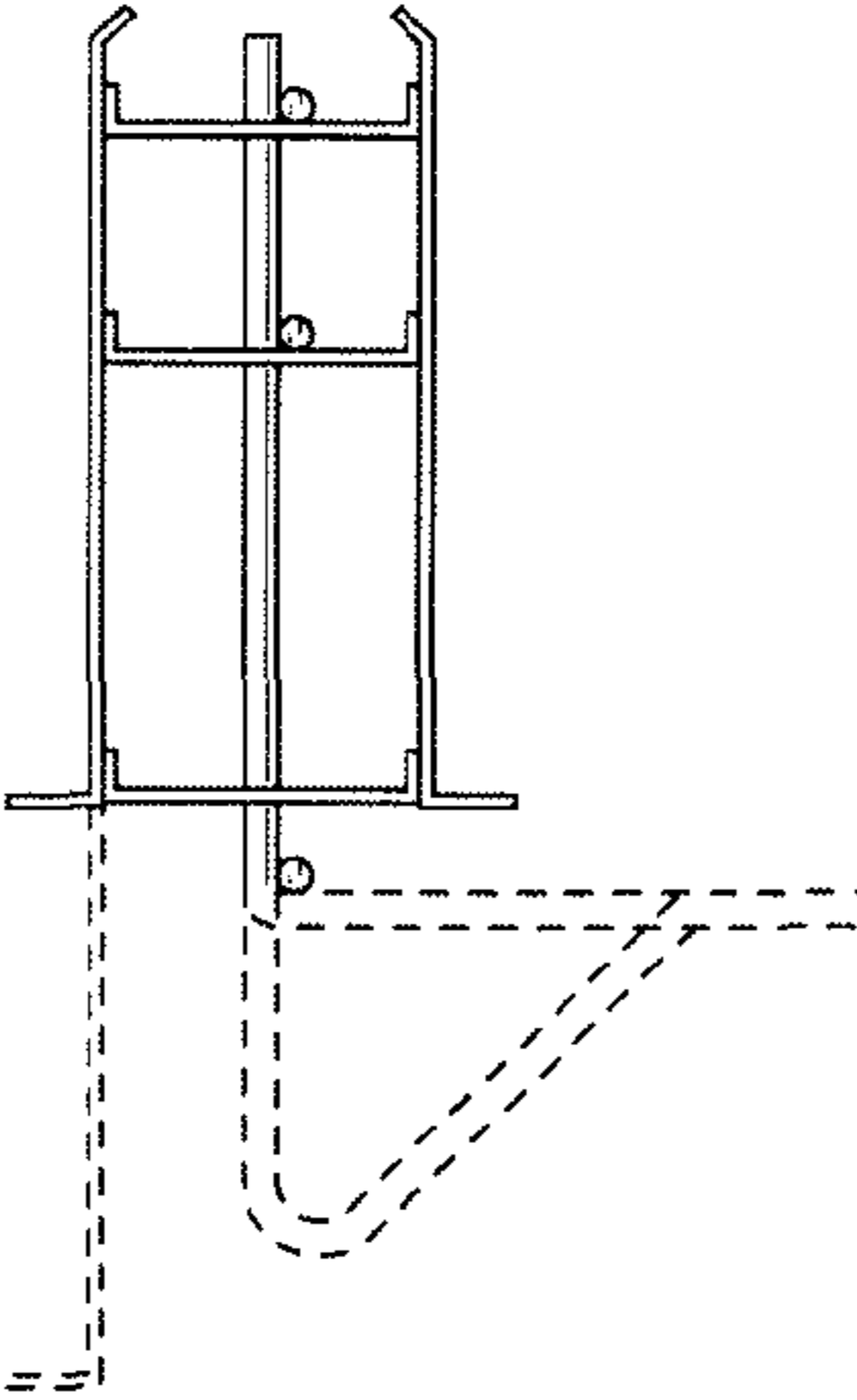


FIG. 5

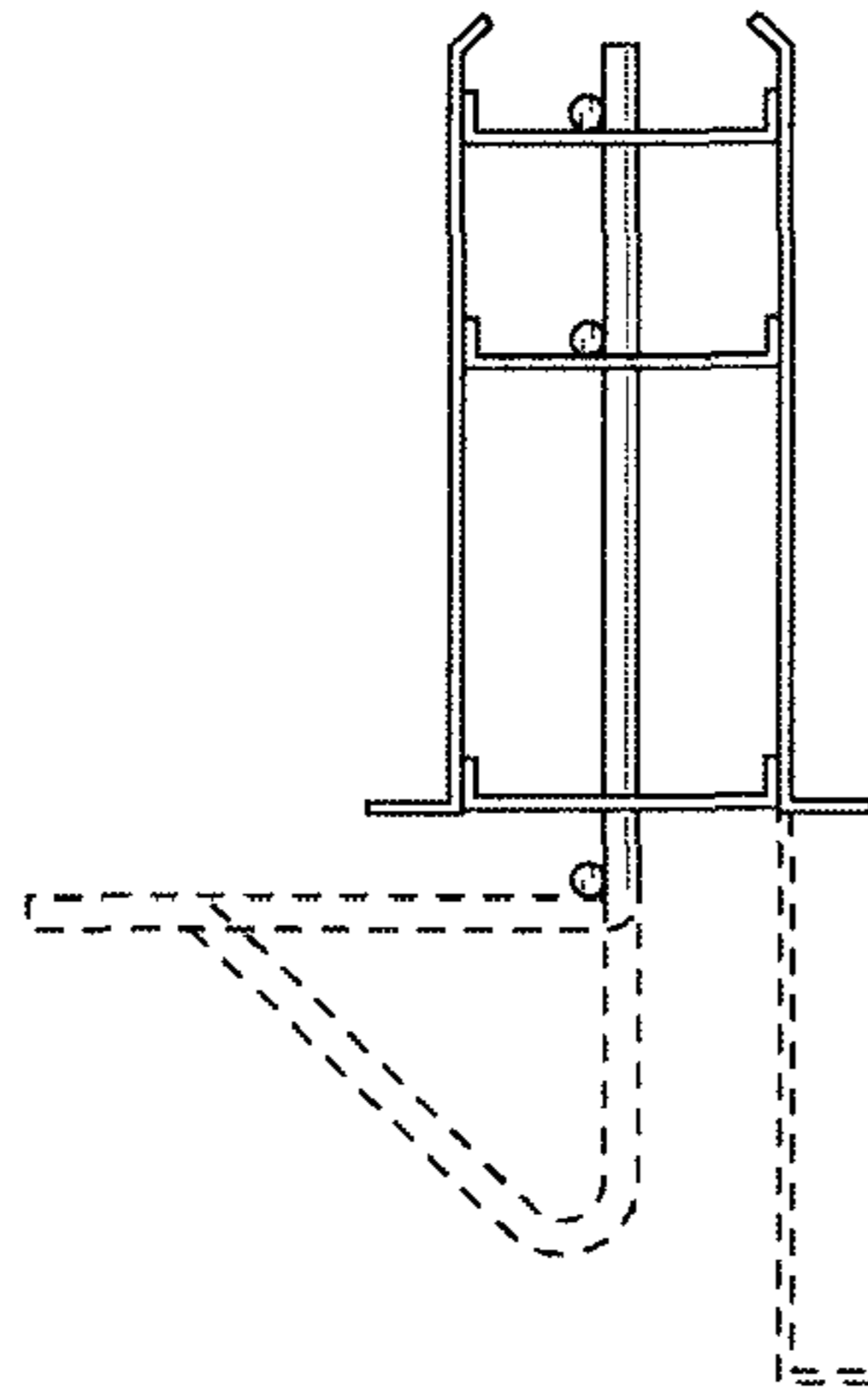


FIG. 6

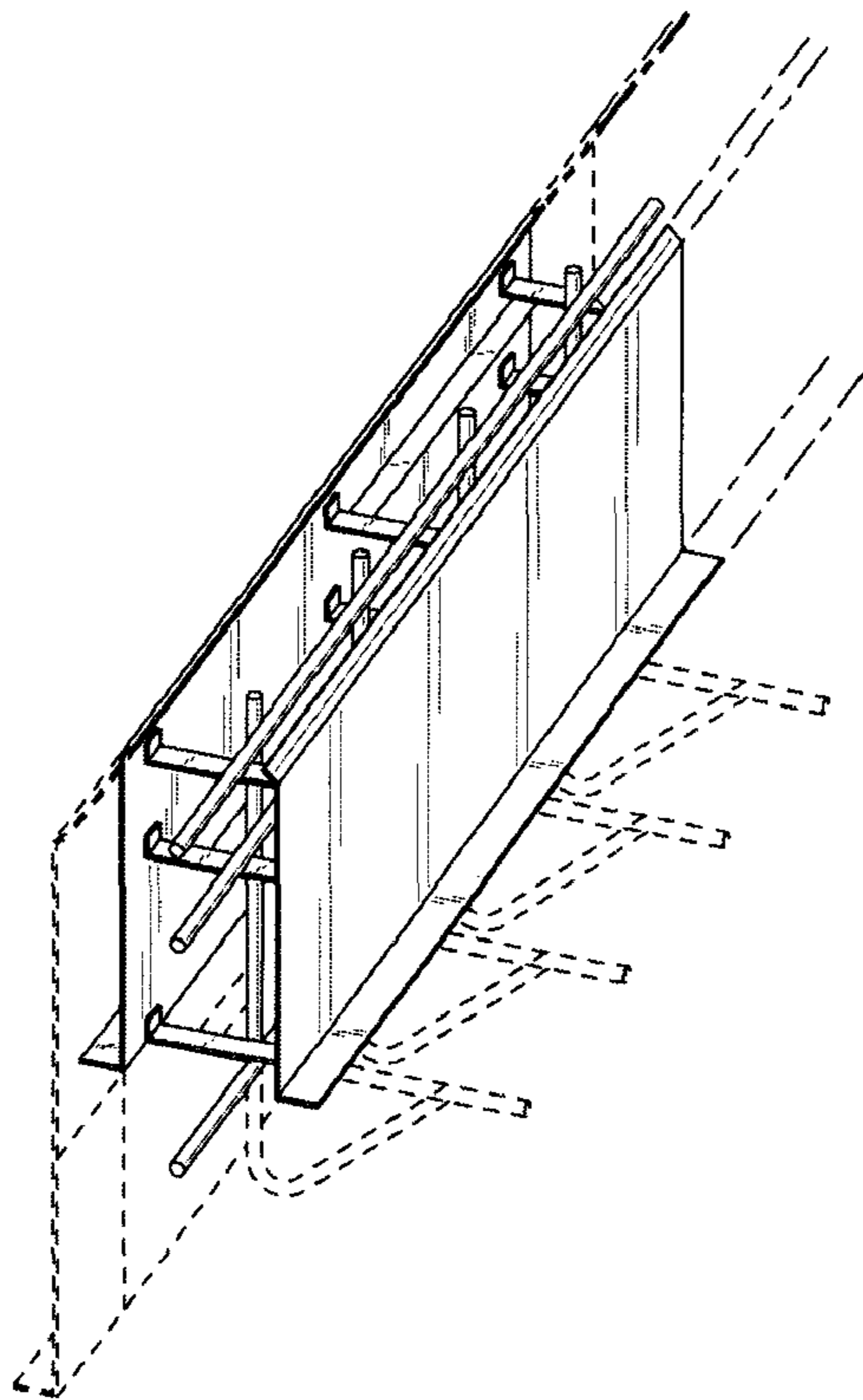


FIG. 7

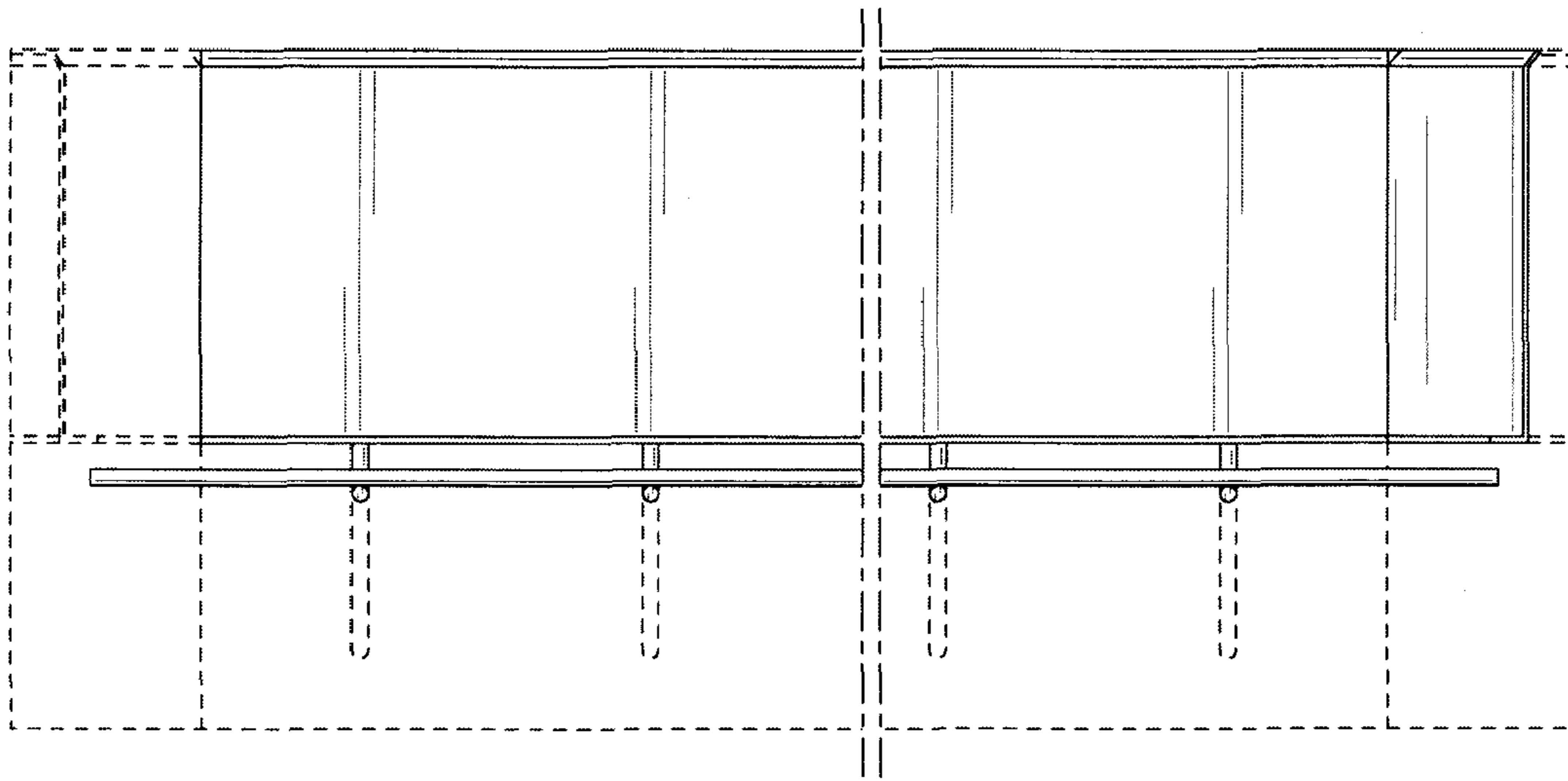


FIG. 8

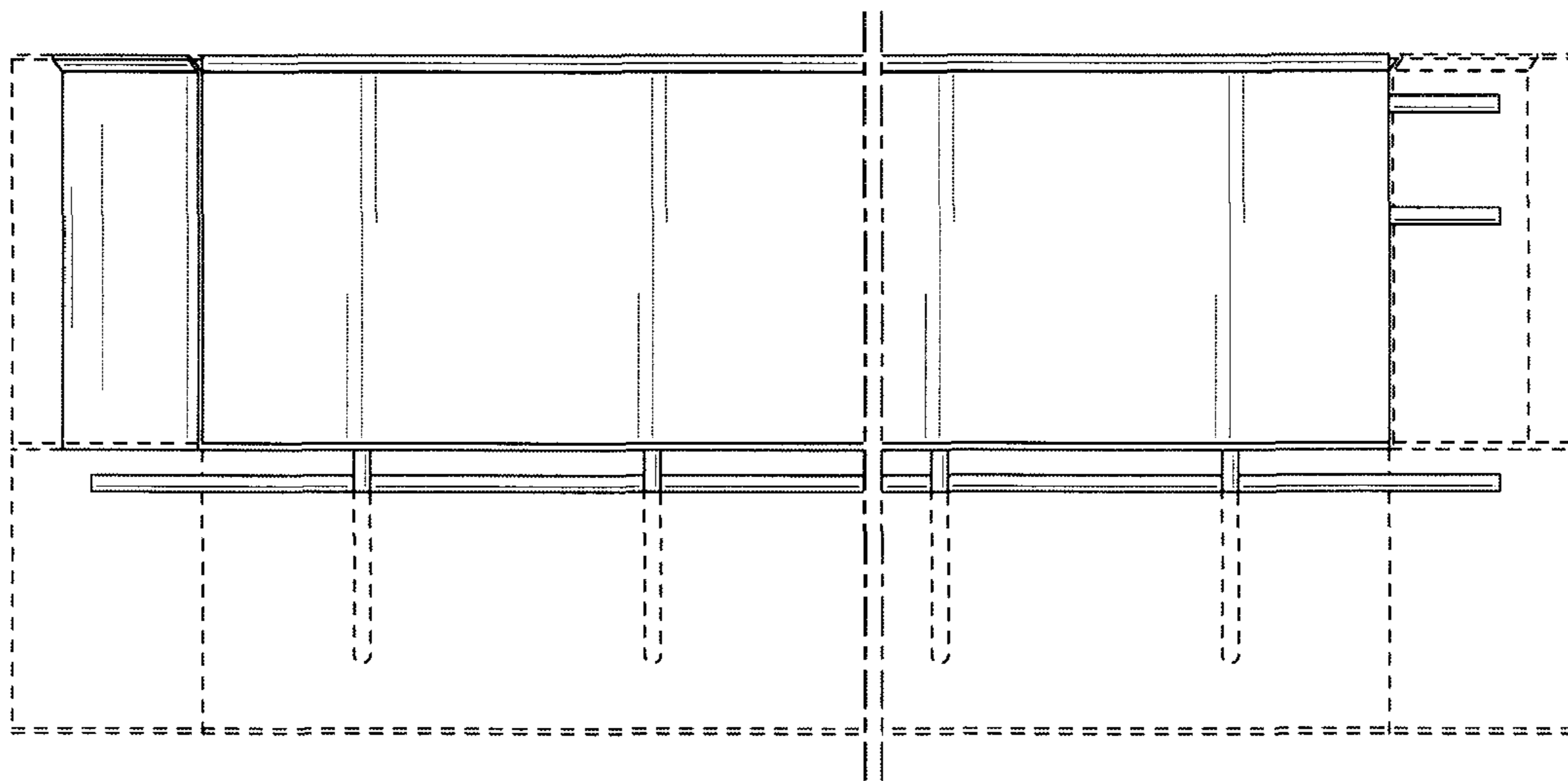


FIG. 9

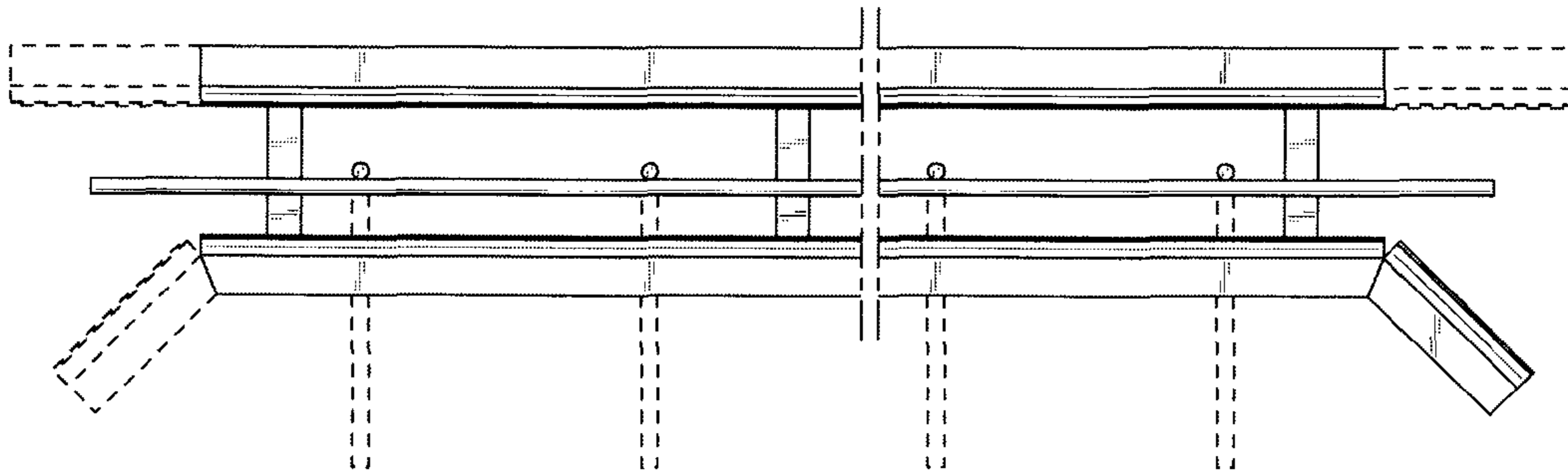


FIG. 10

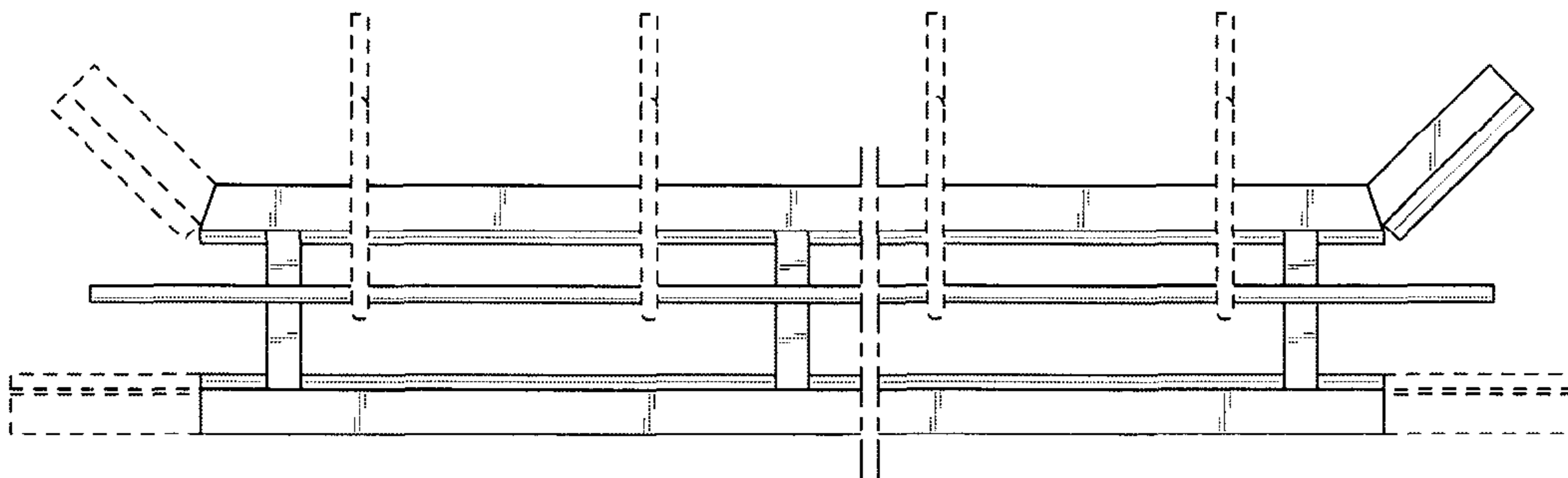


FIG. 11

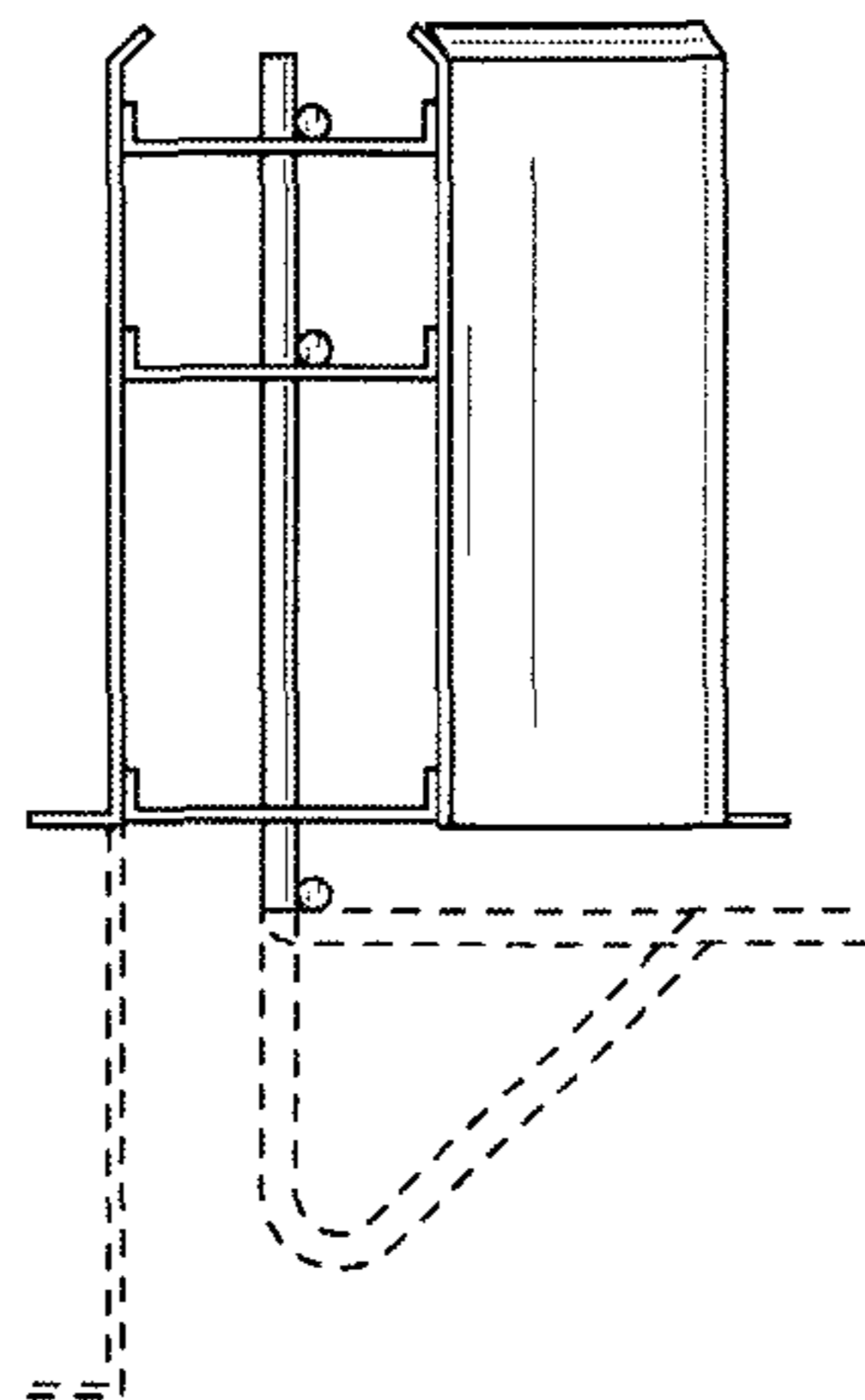


FIG. 12

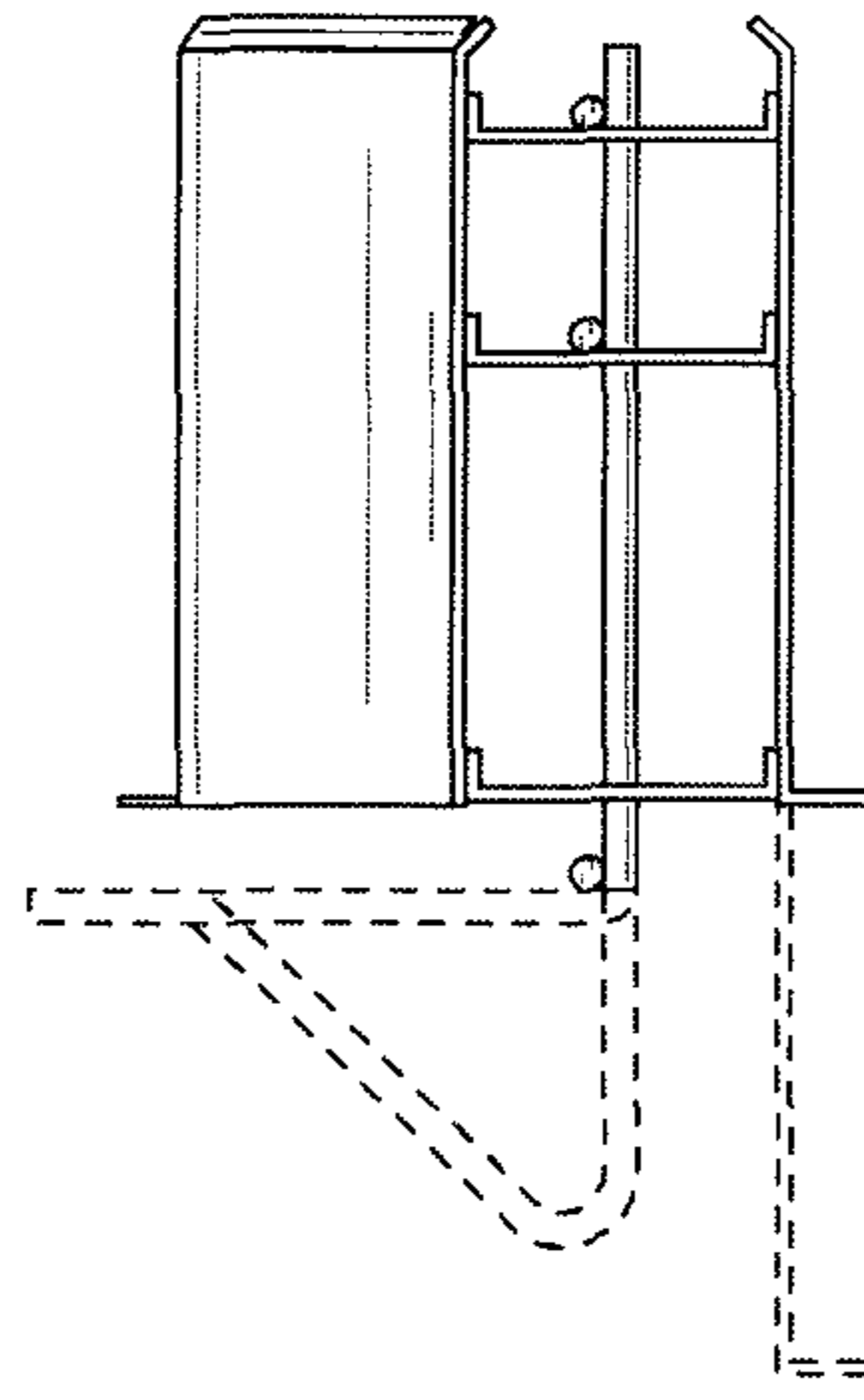


FIG. 13

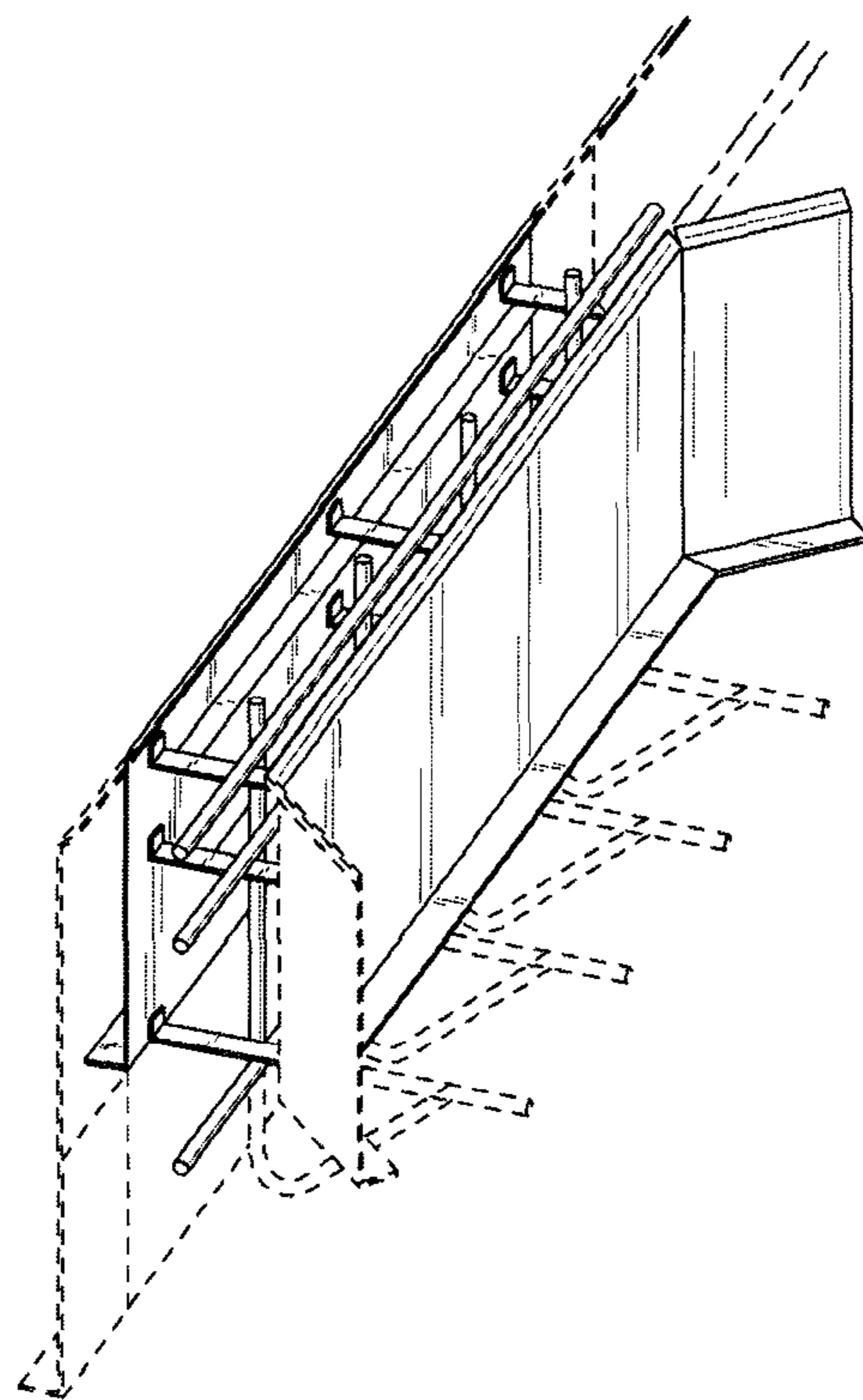


FIG. 14