



US00D655820S

(12) **United States Design Patent**  
**Thomas**

(10) **Patent No.:** **US D655,820 S**  
(45) **Date of Patent:** **\*\* Mar. 13, 2012**

(54) **JET FACE**  
(75) Inventor: **Carter J. Thomas**, Branchburg, NJ (US)  
(73) Assignee: **AS IP Holdco, L.L.C.**, Piscataway, NJ (US)  
(\*\*) Term: **14 Years**  
(21) Appl. No.: **29/358,688**

4,414,963 A \* 11/1983 Kunz ..... 601/134  
4,585,416 A \* 4/1986 DeNiro et al. .... 433/140  
5,029,879 A \* 7/1991 Strang et al. .... 277/606  
D345,903 S \* 4/1994 Adams et al. .... D8/349  
D357,170 S \* 4/1995 Wellsfry ..... D8/349  
6,889,916 B2 \* 5/2005 Loyd et al. .... 4/541.6  
7,090,225 B2 \* 8/2006 Saccomanno et al. .... 277/626  
D530,018 S \* 10/2006 Loyd ..... D24/201  
7,127,751 B2 \* 10/2006 Lebrun et al. .... 4/541.6  
7,644,452 B2 \* 1/2010 Colin ..... 4/541.6

\* cited by examiner

(22) Filed: **Mar. 31, 2010**  
(51) **LOC (9) Cl.** ..... **23-02**  
(52) **U.S. Cl.** ..... **D24/204**  
(58) **Field of Classification Search** ..... D24/201,  
D24/204, 205, 200; D23/277, 254, 269,  
D23/213; 601/154-160, 169, 167, 134;  
4/541.1-541.6, 547, 578.1, 579; 277/606,  
277/626; D8/349

*Primary Examiner* — David Muller  
(74) *Attorney, Agent, or Firm* — Flaster/Greenberg PC

See application file for complete search history.

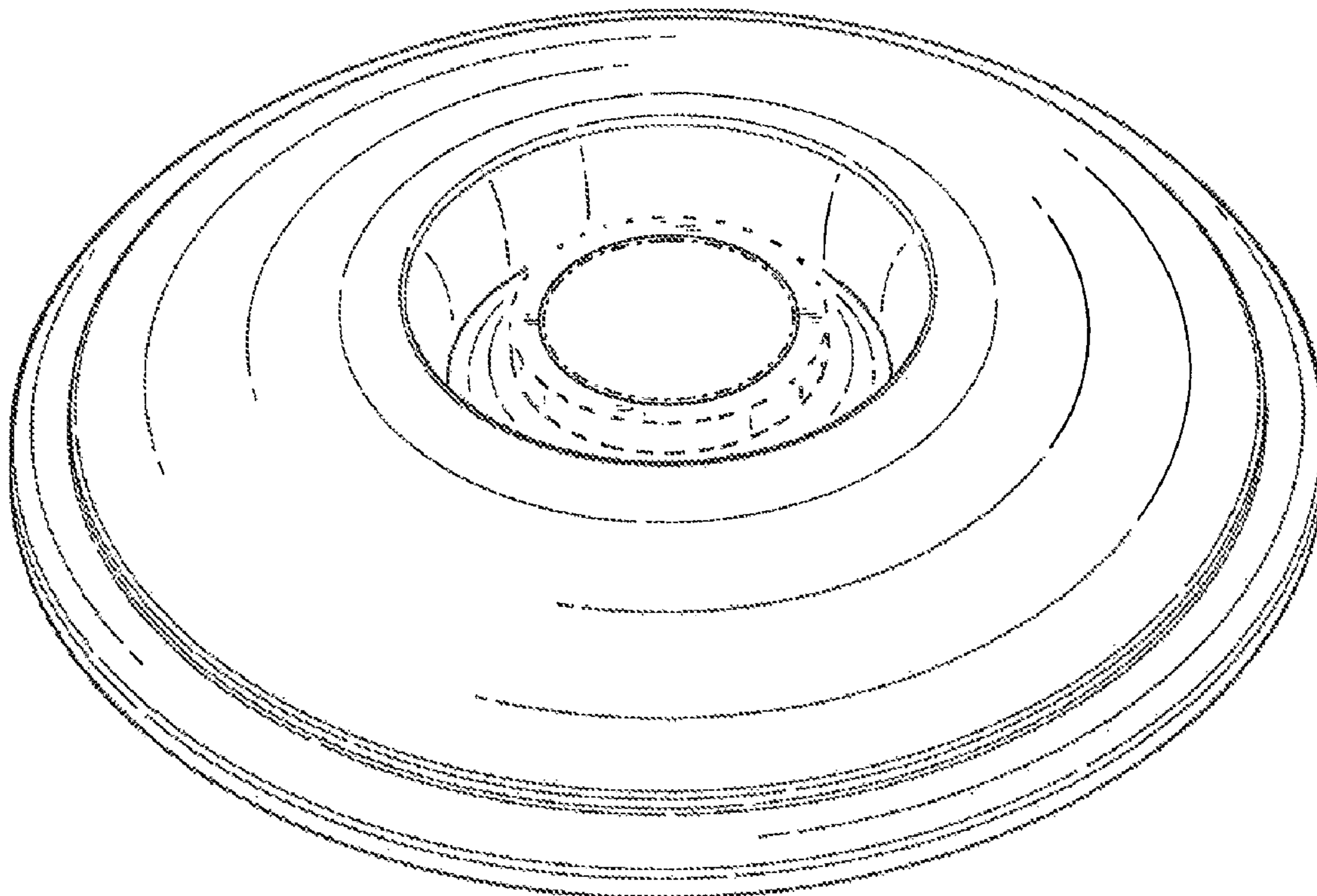
(57) **CLAIM**  
The ornamental design for a jet face, as shown and described.

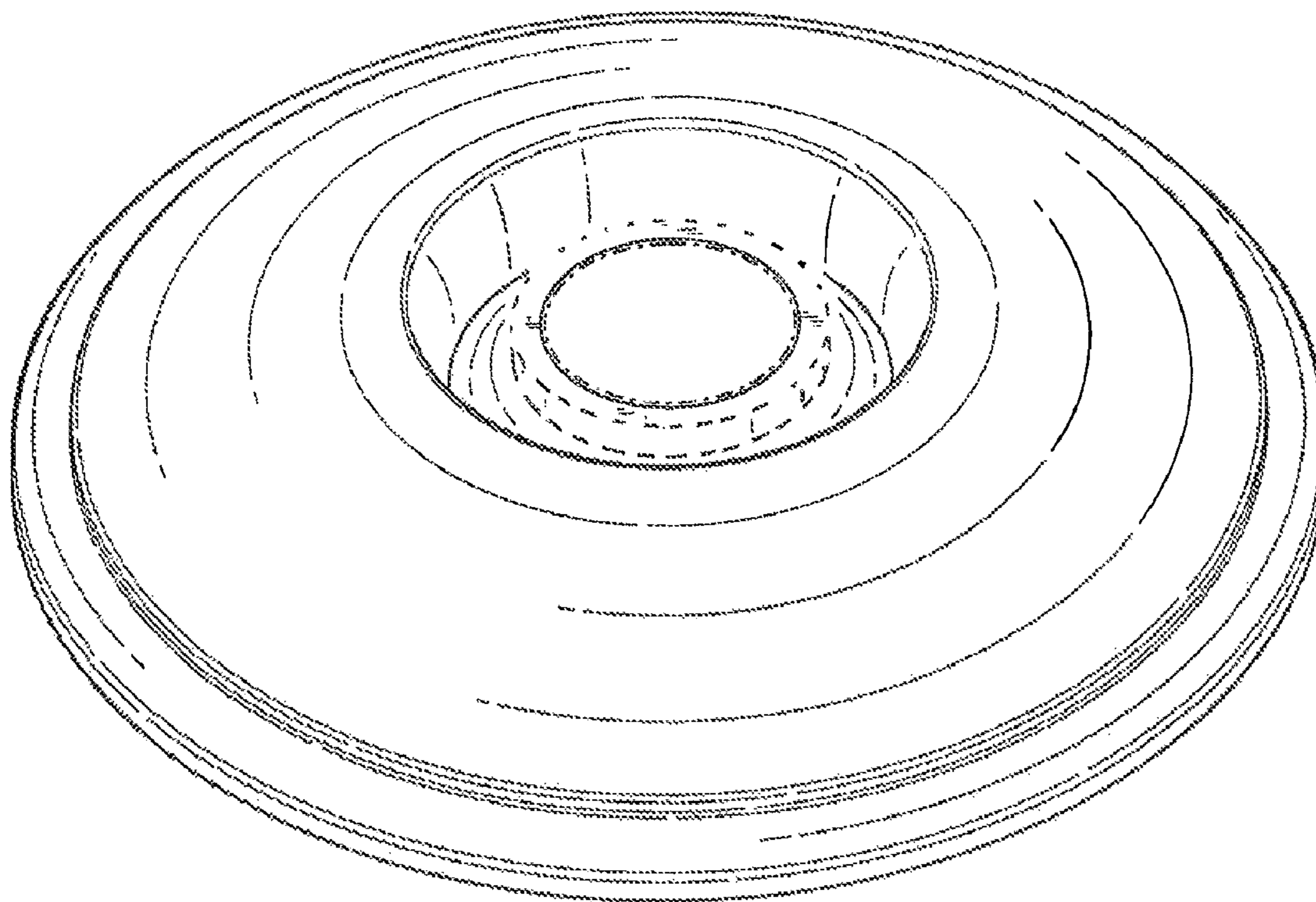
**DESCRIPTION**

FIG. 1 is a perspective view of a jet face;  
FIG. 2 is a front view thereof;  
FIG. 3 is a side, sectioned view thereof; and,  
FIG. 4 is a side view thereof.  
The broken line showing of parts of the drawings is included for the purpose of illustrating use and environment and forms no part of the claimed design.

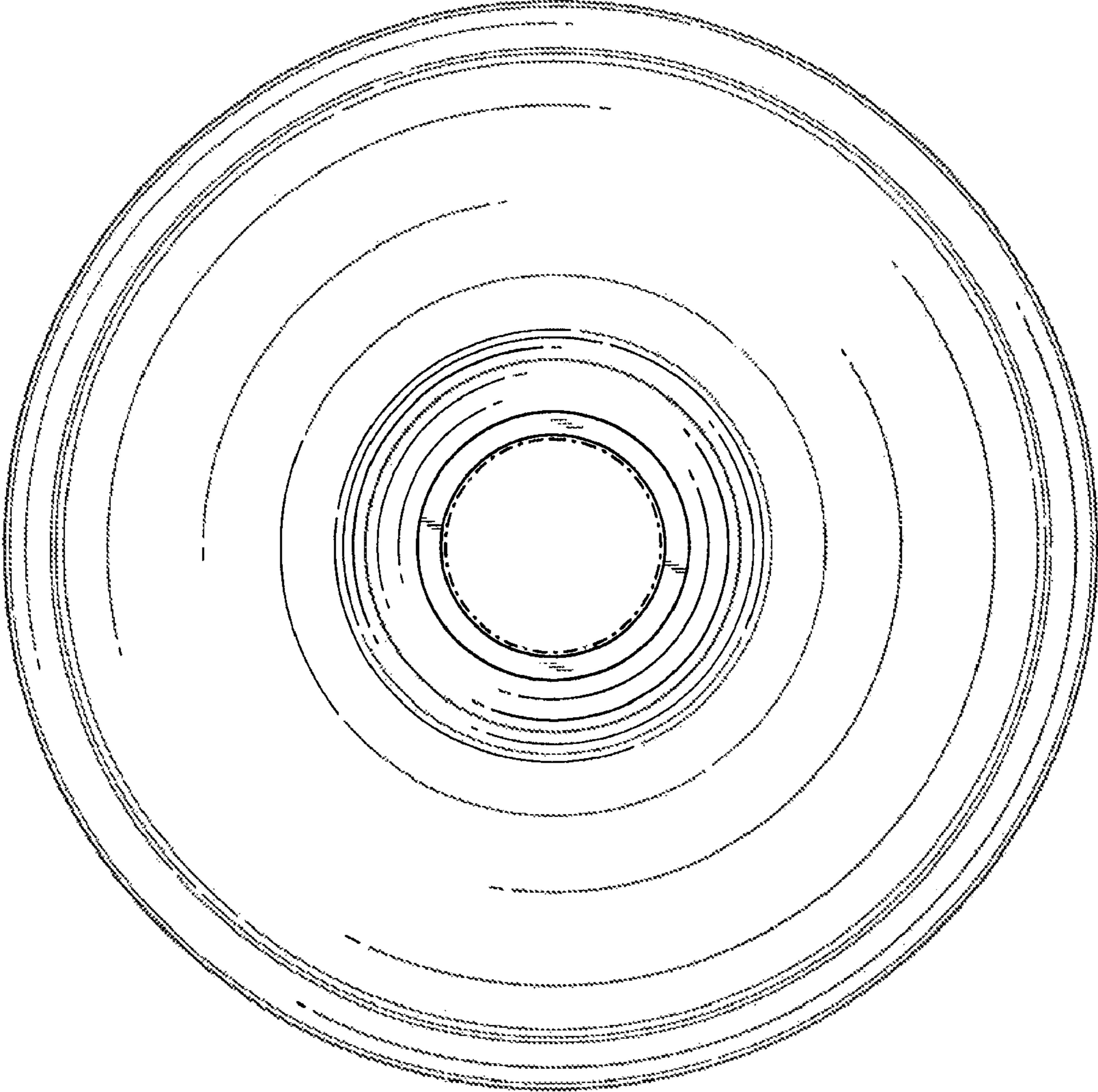
(56) **References Cited**  
**U.S. PATENT DOCUMENTS**  
4,264,039 A \* 4/1981 Moreland ..... 4/541.6  
D259,735 S \* 6/1981 Moreland ..... D23/213  
4,349,923 A \* 9/1982 Chalberg ..... 4/541.6

**1 Claim, 4 Drawing Sheets**

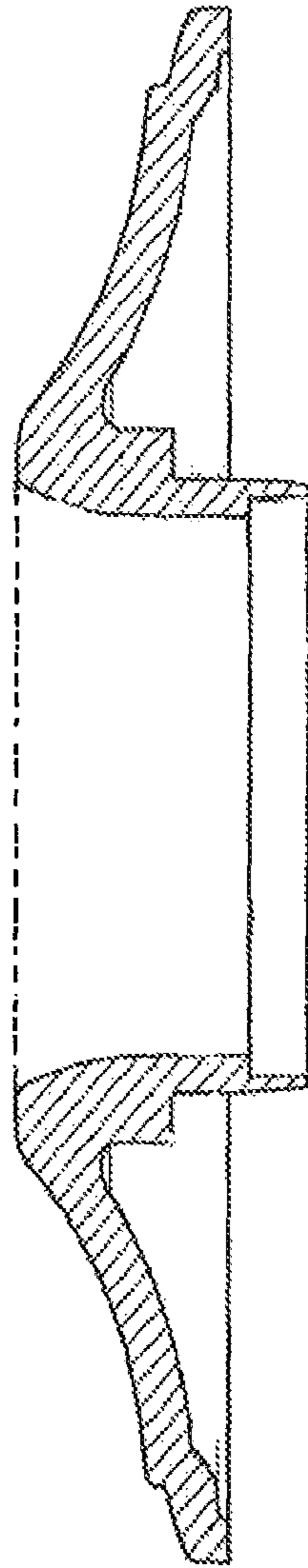




*FIG. 1*

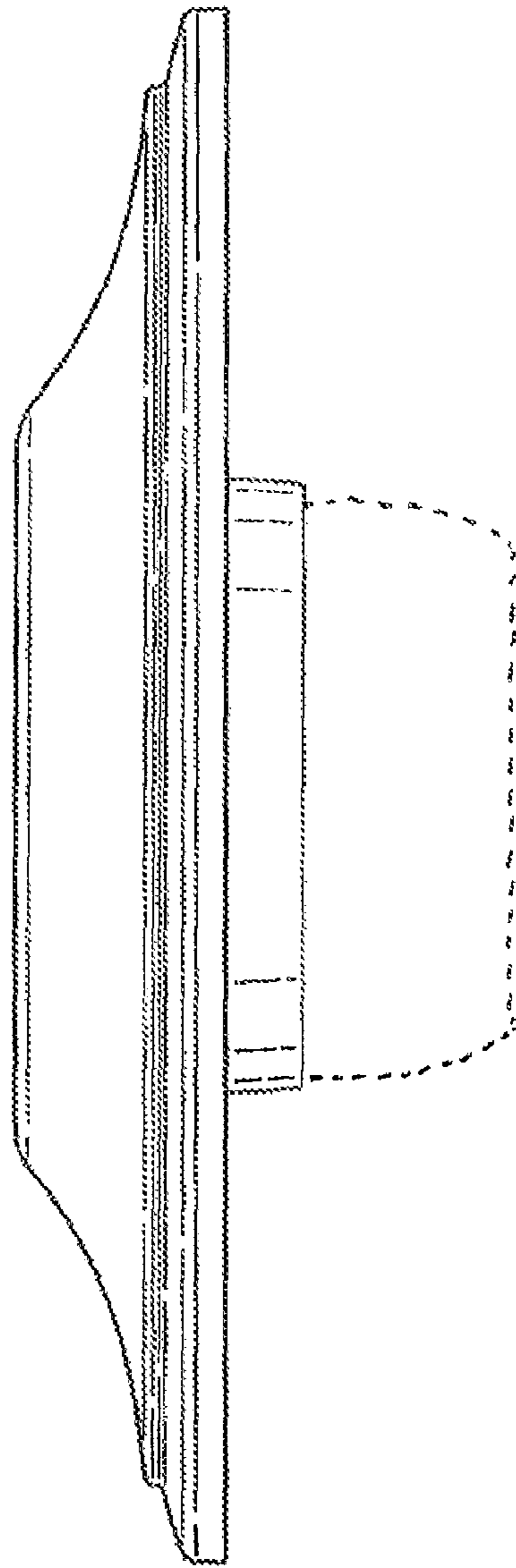


*FIG. 2*



*FIG. 3*





*FIG. 4*