



US00D655817S

(12) **United States Design Patent**
Schilling et al.

(10) **Patent No.:** **US D655,817 S**

(45) **Date of Patent:** **** Mar. 13, 2012**

(54) **ORTHOSIS**

(75) Inventors: **Matthias Schilling**,
Weißenborn-Lüderode (DE); **Guido
Kahlmeyer**, Siemerode (DE); **Boris
Ljubimir**, Göttingen (DE)

(73) Assignee: **Otto Bock Healthcare GmbH**,
Duderstadt (DE)

(**) Term: **14 Years**

(21) Appl. No.: **29/377,653**

(22) Filed: **Oct. 25, 2010**

(30) **Foreign Application Priority Data**

Apr. 30, 2010 (EP) I 001702770

(51) **LOC (9) Cl.** **24-01**

(52) **U.S. Cl.** **D24/190**

(58) **Field of Classification Search** D24/190,
D24/155; 602/1, 5, 16, 23, 26; 623/24, 39,
623/43; 403/102

See application file for complete search history.

(56) **References Cited**

U.S. PATENT DOCUMENTS

D286,183	S *	10/1986	Womack et al.	D24/190
4,620,532	A *	11/1986	Houswerth	602/16
4,711,242	A *	12/1987	Petrofsky	607/49
4,890,607	A *	1/1990	Townsend	602/26
5,031,606	A *	7/1991	Ring, Sr.	602/16
5,306,230	A *	4/1994	Bodine	602/26
5,749,840	A *	5/1998	Mitchell et al.	602/5
6,080,123	A *	6/2000	Pansiera	602/16

6,165,226	A *	12/2000	Wagner	623/39
6,203,511	B1 *	3/2001	Johnson et al.	602/16
6,635,024	B2 *	10/2003	Hatton et al.	602/16
D487,512	S *	3/2004	Bradshaw et al.	D24/190
6,764,244	B2 *	7/2004	Pansiera	403/102
D496,464	S *	9/2004	Iglesias et al.	D24/190
D546,955	S *	7/2007	Bauerfiend et al.	D24/190
7,608,051	B1 *	10/2009	Nace	602/16
7,645,251	B2 *	1/2010	Hatton et al.	602/27
2004/0049291	A1 *	3/2004	Deharde et al.	623/46
2010/0262055	A1 *	10/2010	Schilling et al.	602/16

OTHER PUBLICATIONS

Excerpt from Otto Bock brochure, showing a forerunner model.

* cited by examiner

Primary Examiner — Susan E Krakower

(74) *Attorney, Agent, or Firm* — Holland & Hart, LLP

(57) **CLAIM**

The ornamental design for an orthosis, as shown and described.

DESCRIPTION

FIG. 1 is a perspective view of an orthosis according to the present invention;

FIG. 2 is a right side view thereof;

FIG. 3 is a front view thereof;

FIG. 4 is a bottom view thereof;

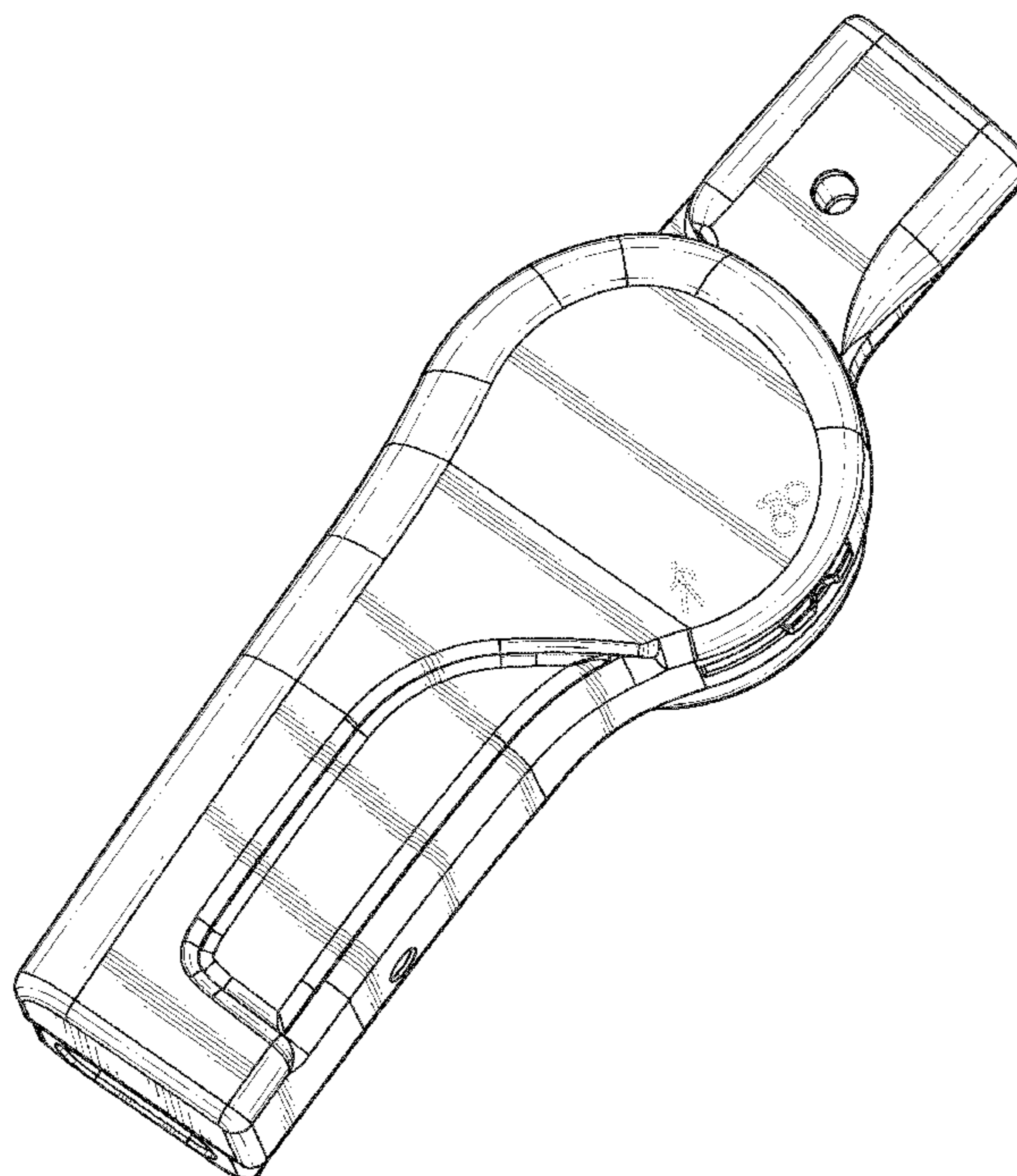
FIG. 5 is a right side view thereof;

FIG. 6 is a rear view thereof; and,

FIG. 7 is a top view thereof.

The broken lines illustrate portions of the orthosis which form no part of the claimed design.

1 Claim, 3 Drawing Sheets



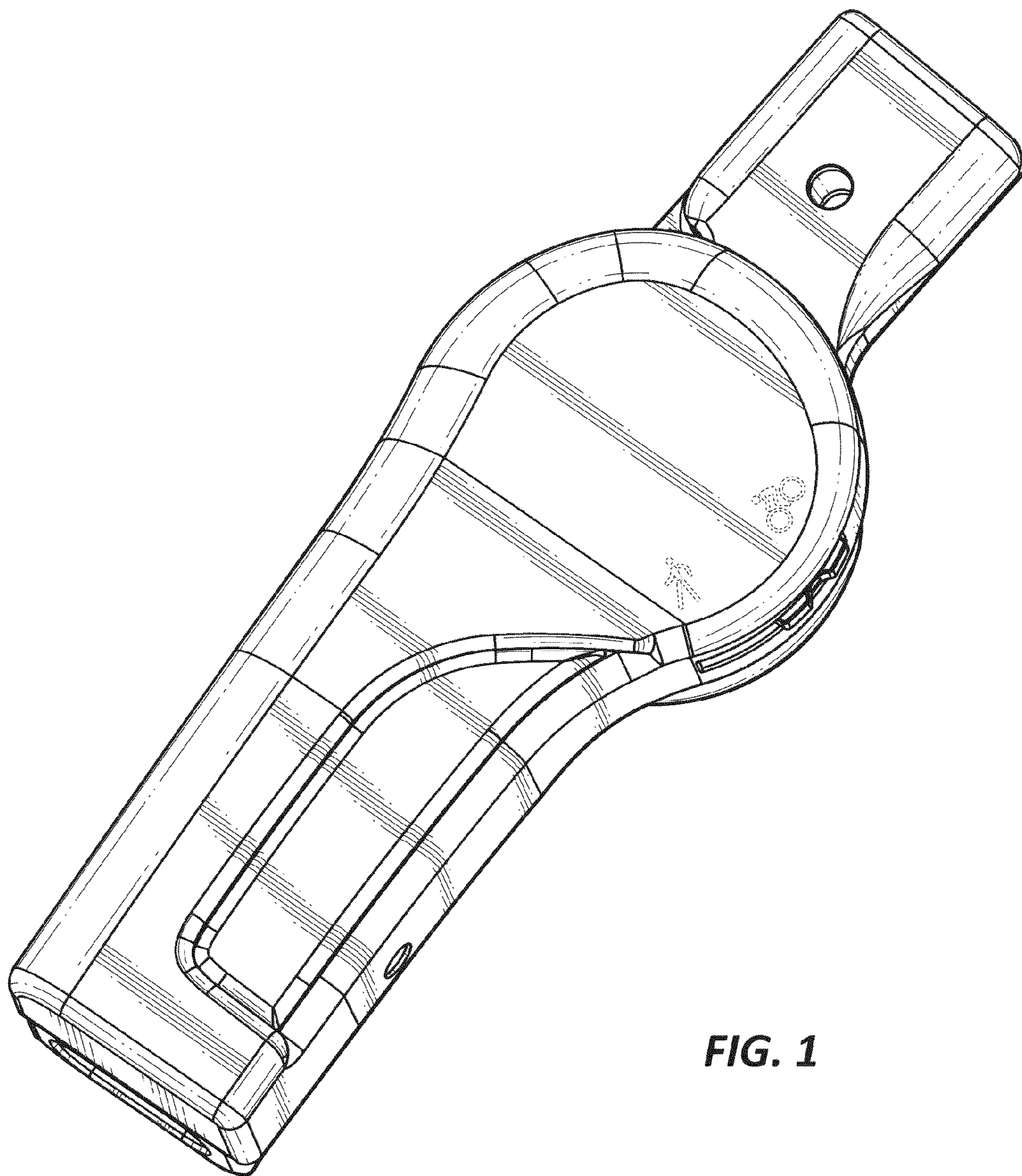


FIG. 1

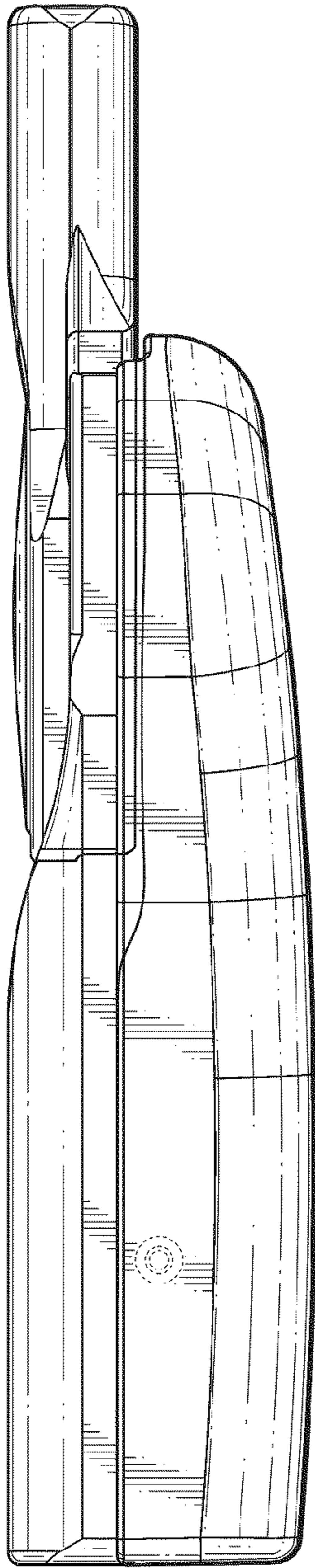


FIG. 3

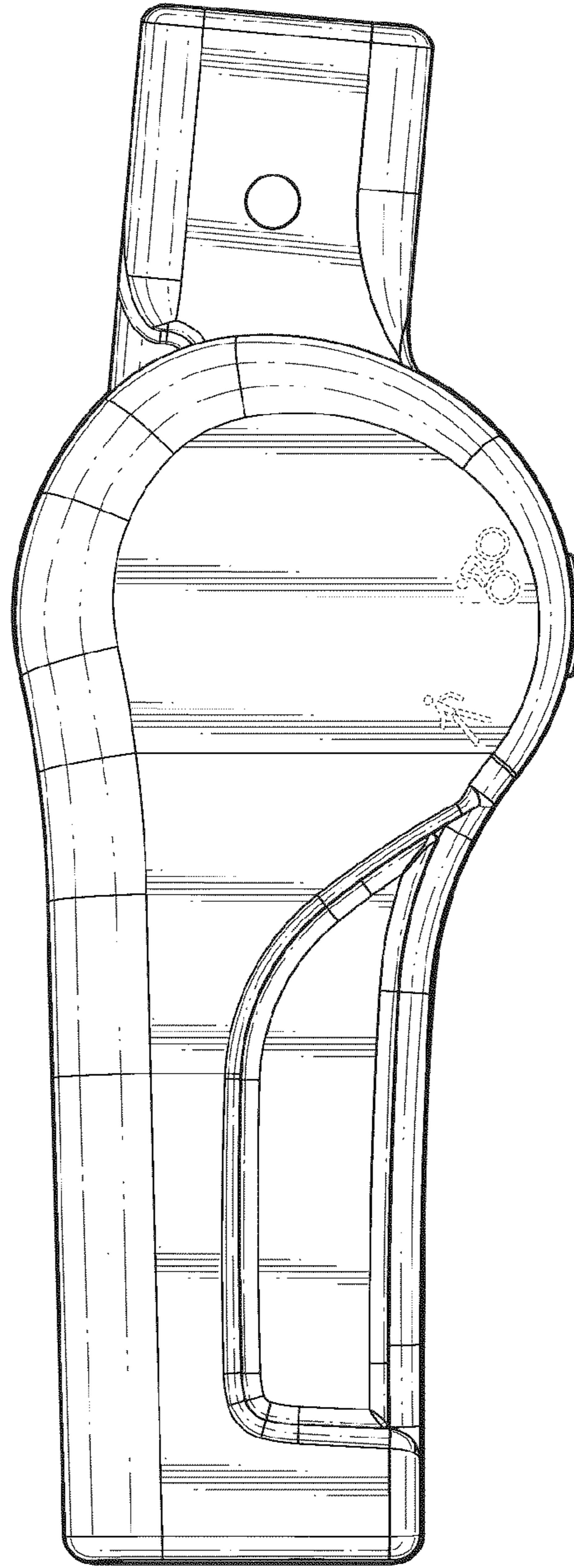


FIG. 2

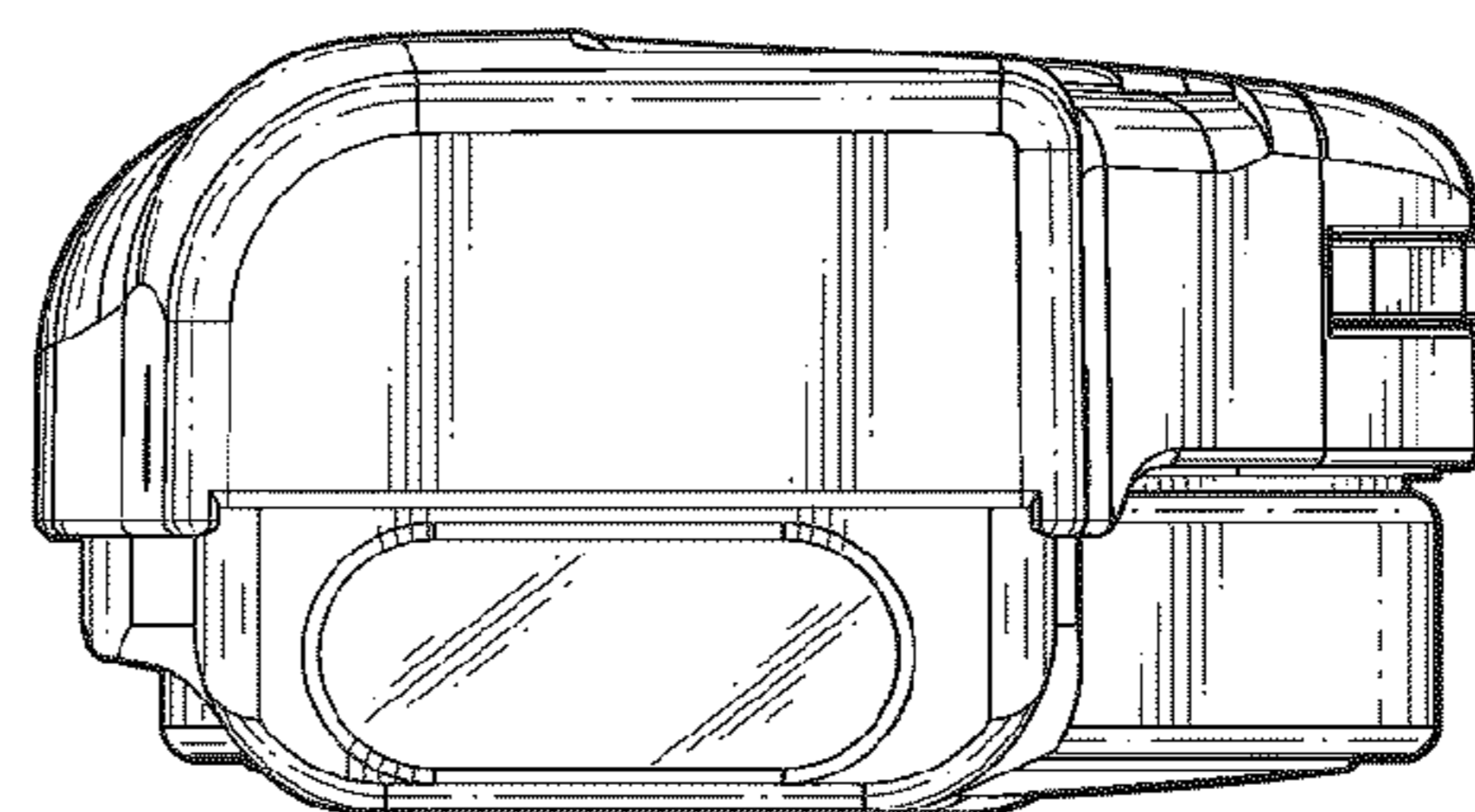


FIG. 4

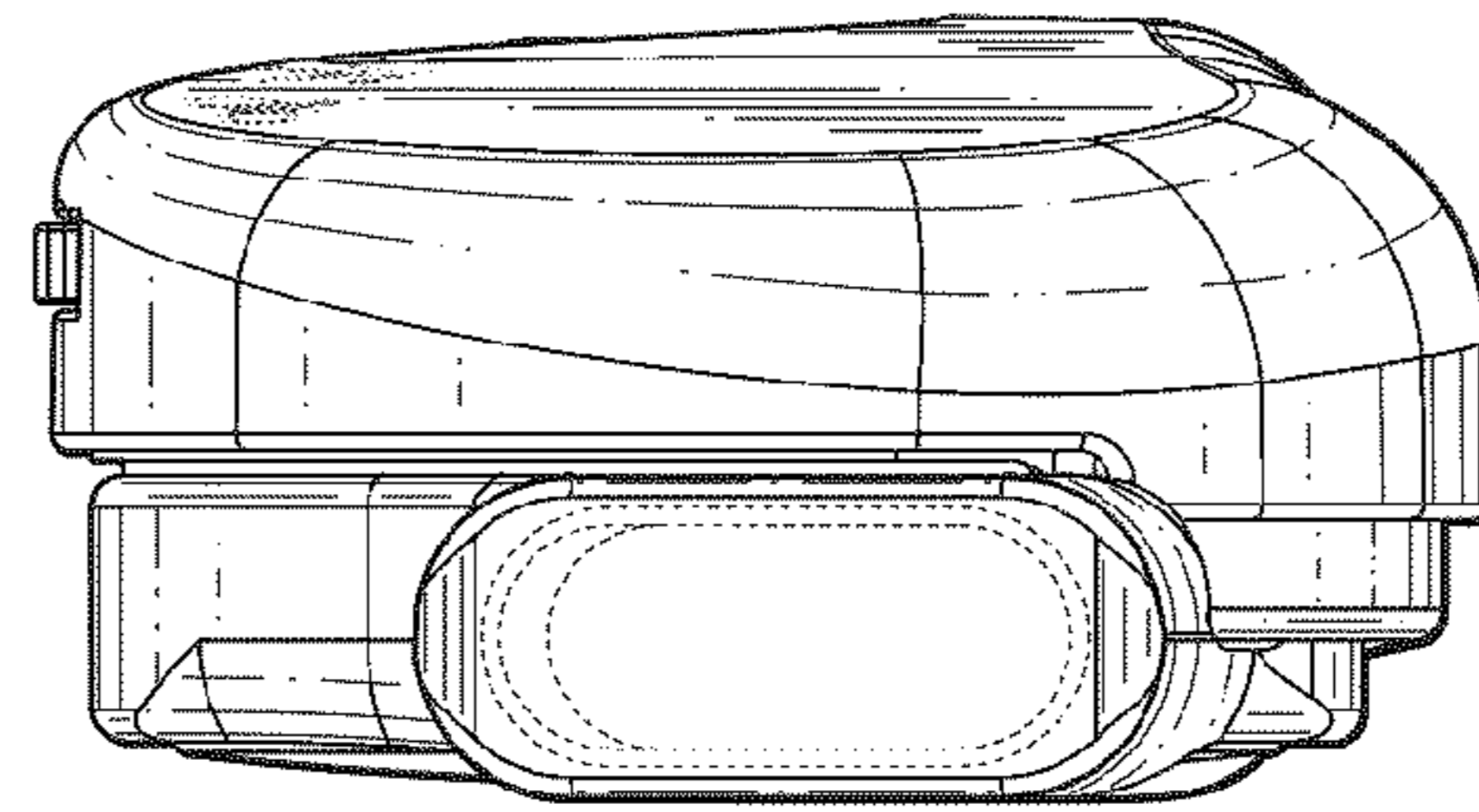


FIG. 7

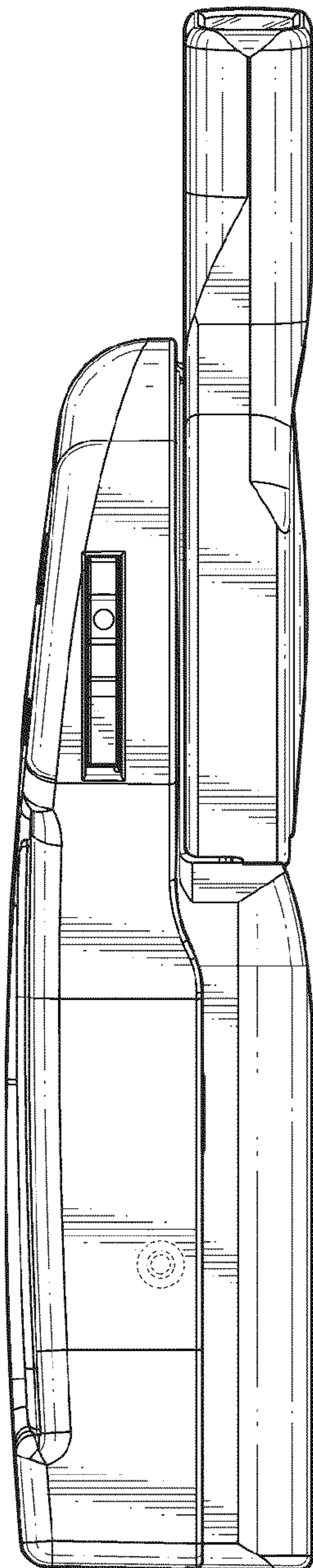


FIG. 6

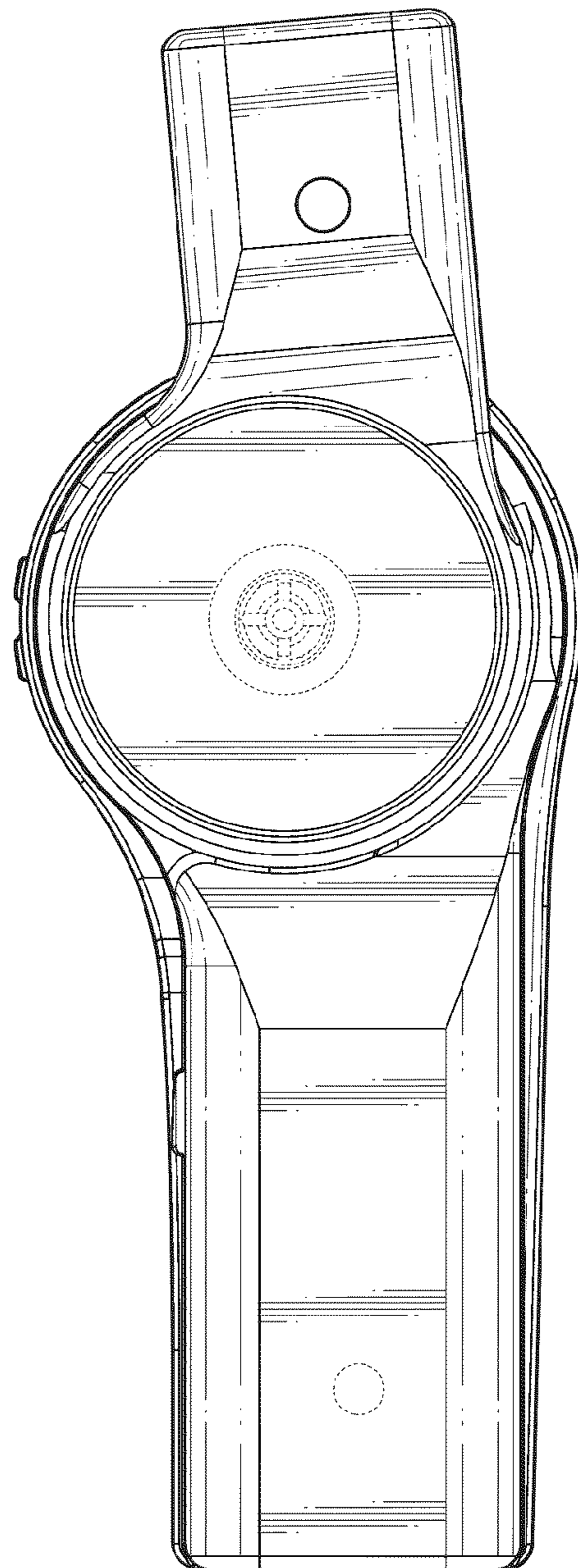


FIG. 5