



US00D655816S

(12) **United States Design Patent**
Llop et al.

(10) **Patent No.:** **US D655,816 S**
(45) **Date of Patent:** **** Mar. 13, 2012**

(54) **MOUTH GUIDE FOR USE IN REGISTRATION OF MEDICAL AND DENTAL IMAGING AND OTHER TYPES OF SCANNING MODALITIES**

D571,473 S * 6/2008 Wilkens D24/181
7,690,918 B2 * 4/2010 Ho et al. 433/214
D631,550 S * 1/2011 Massad D24/181

(76) Inventors: **Daniel R. Llop**, Reno, NV (US);
Andrew M Christensen, Littleton, CO (US)

OTHER PUBLICATIONS
RRD appliance. Copy right 2009, 3 pages, [on line], [retrieved on Mar. 1, 2011. Retrieved from Internet, <URL: https://www.nsequence.com/store_html.*

(**) Term: **14 Years**

* cited by examiner

(21) Appl. No.: **29/348,424**

Primary Examiner — Wan Laymon
(74) *Attorney, Agent, or Firm* — John D. Long

(22) Filed: **Jan. 4, 2010**

(51) **LOC (9) Cl.** **24-02**

(52) **U.S. Cl.** **D24/181**

(58) **Field of Classification Search** D24/108,
D24/176-177, 181, 152, 180; D29/108;
128/859, 861-862; 433/6, 18-24, 37-38,
433/41, 48, 214

(57) **CLAIM**
The ornamental design for a mouth guide for use in registration of medical and dental imaging and other types of scanning modalities, as shown and described.

See application file for complete search history.

DESCRIPTION

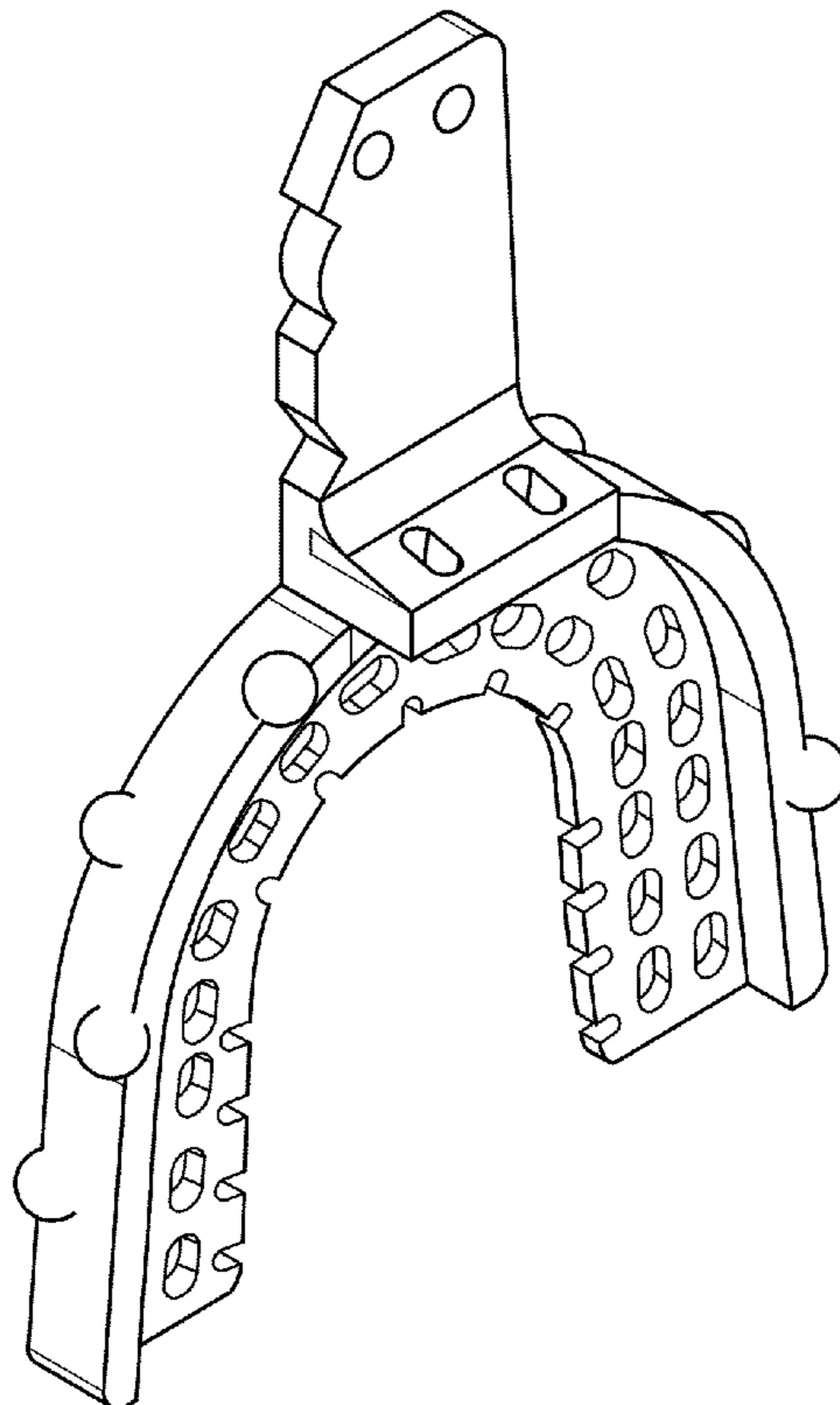
FIG. 1 is a reduced top right end perspective view of a mouth guide for use in registration of medical and dental imaging and other types of scanning modalities showing our new design;
FIG. 2 is a left end elevation view thereof;
FIG. 3 is a right end elevation view thereof;
FIG. 4 is a top view thereof;
FIG. 5 is a bottom view thereof;
FIG. 6 is a front elevation view thereof; and,
FIG. 7 is a back elevation view thereof.

(56) **References Cited**

U.S. PATENT DOCUMENTS

3,207,161 A * 9/1965 Dietz D24/176
5,336,086 A * 8/1994 Simmen et al. 433/37
D408,919 S * 4/1999 Cooley D24/181
6,045,359 A * 4/2000 Tucker 433/37
6,283,752 B1 * 9/2001 Kumar 433/214
7,361,020 B2 * 4/2008 Abolfathi et al. 433/48

1 Claim, 4 Drawing Sheets



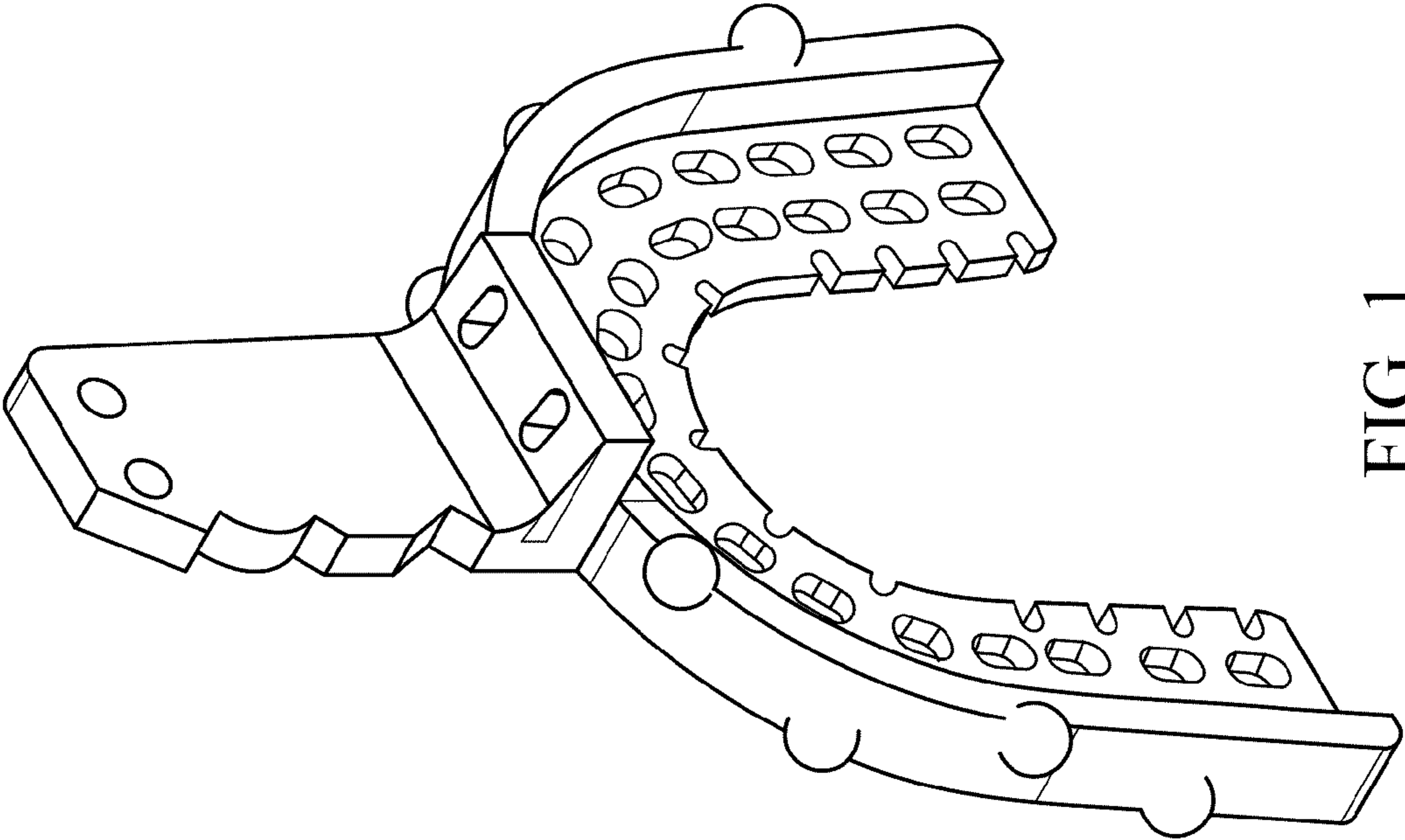


FIG. 1

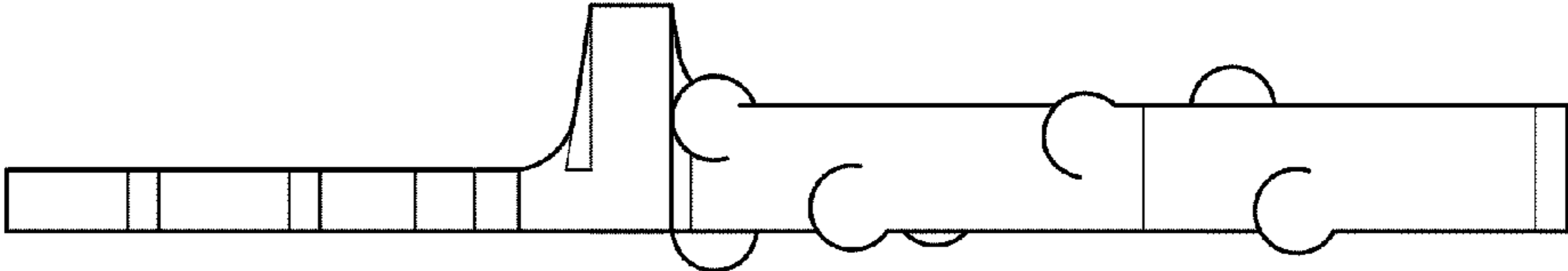


FIG. 3

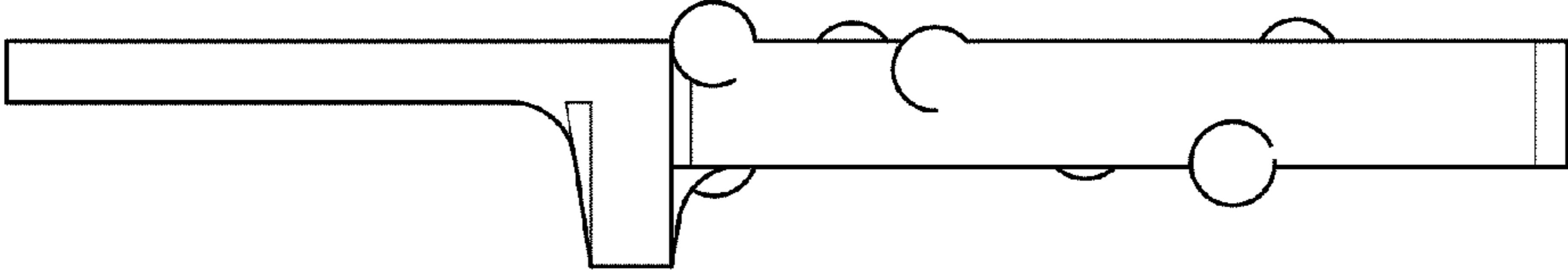


FIG. 2

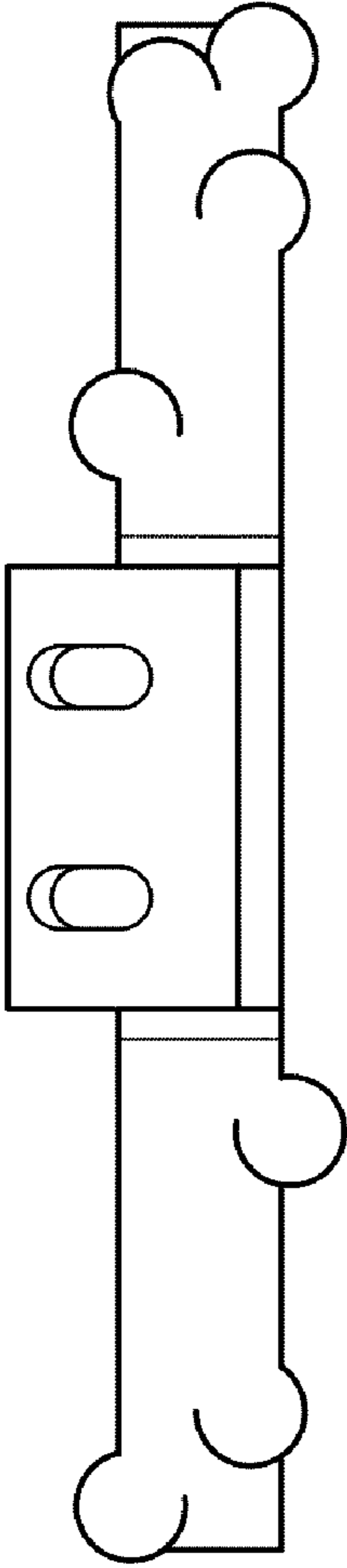


FIG. 4

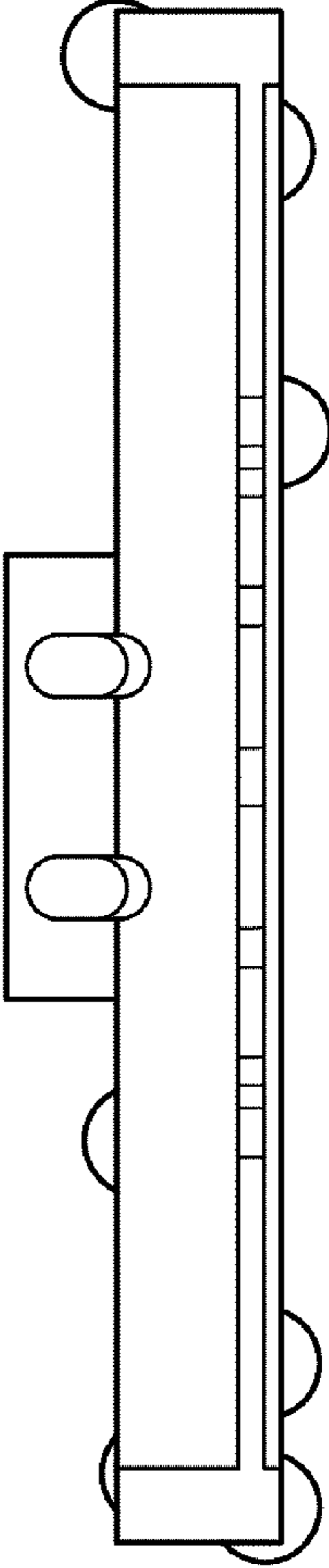


FIG. 5

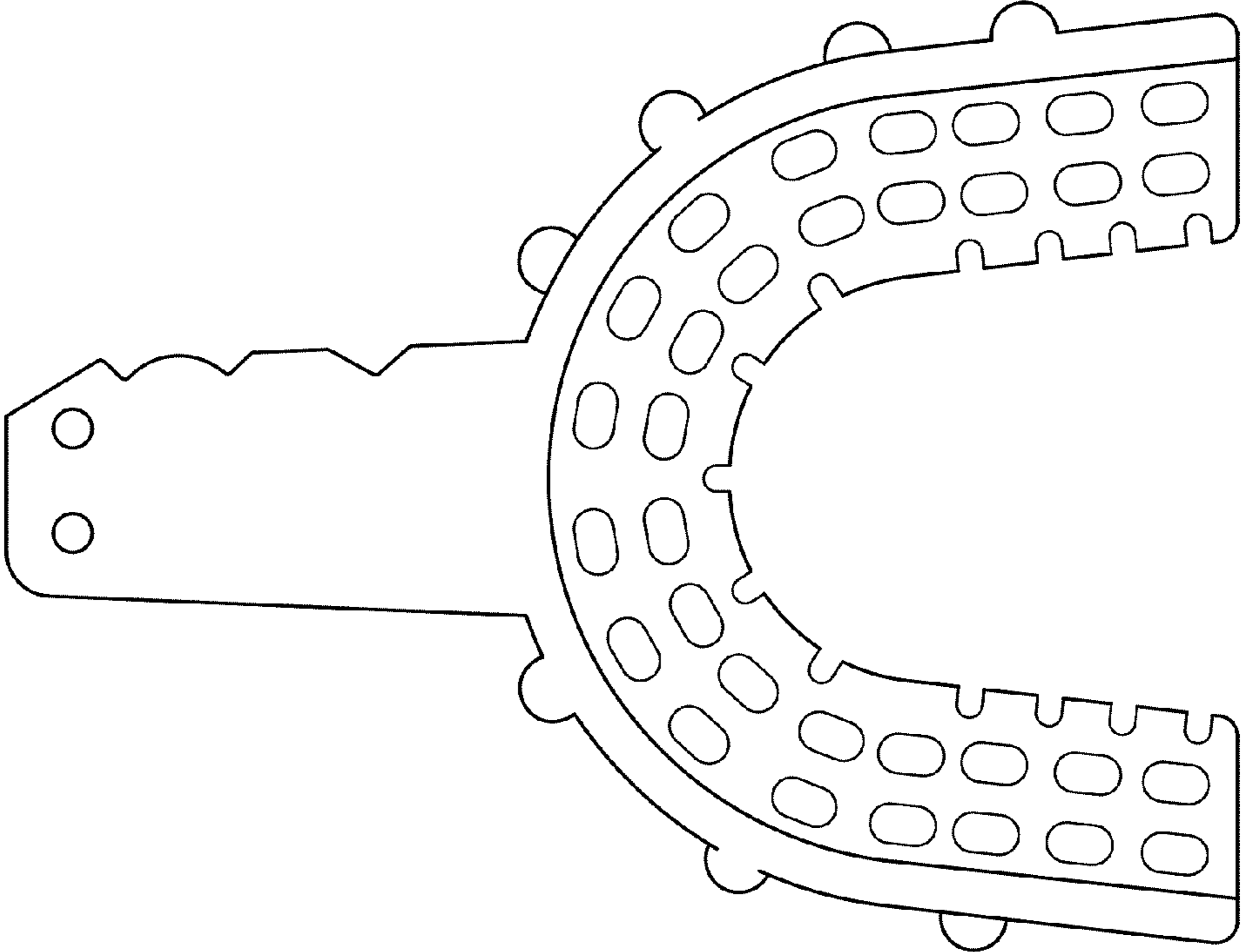


FIG. 7

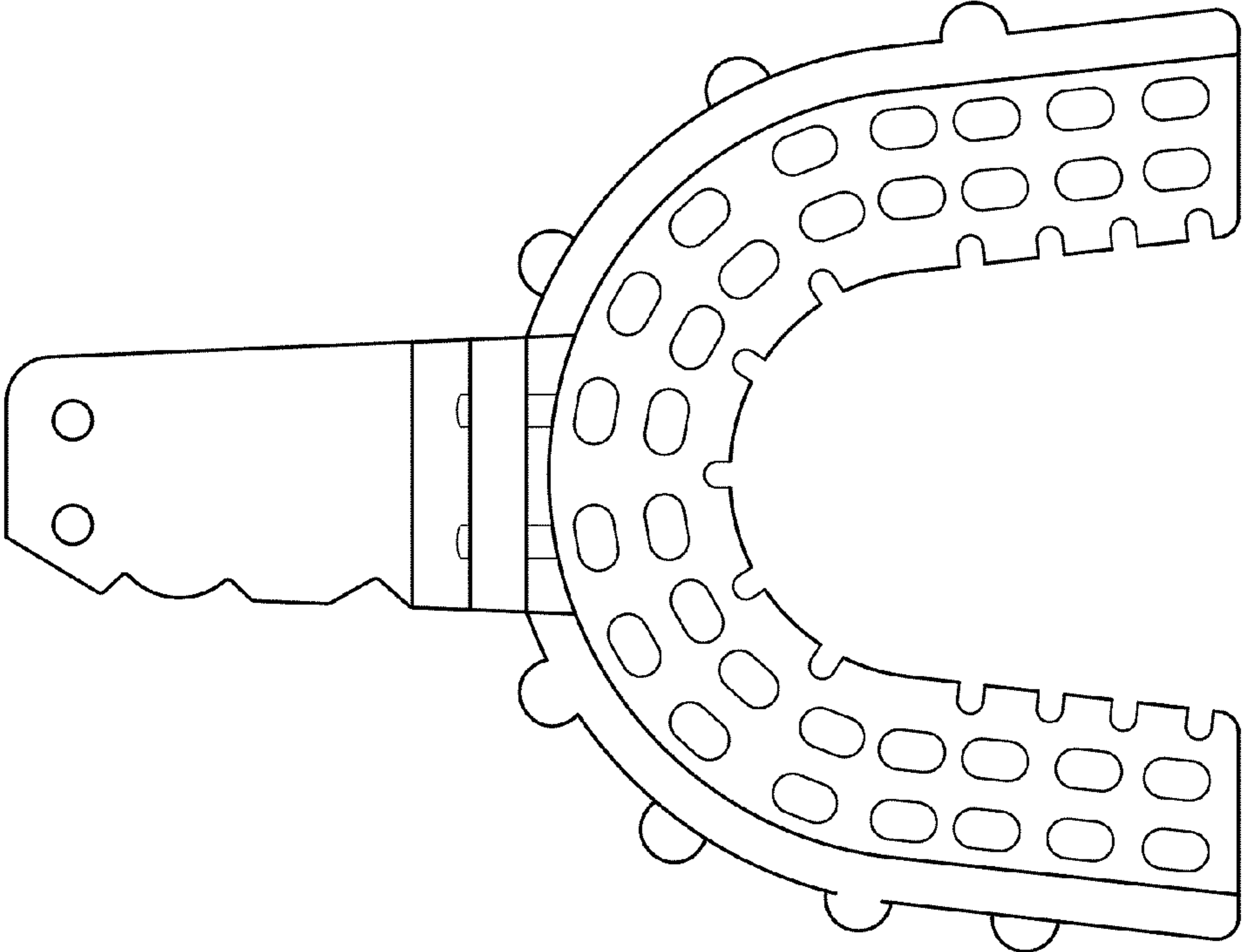


FIG. 6