



US00D655813S

(12) **United States Design Patent**
Row et al.

(10) **Patent No.:** **US D655,813 S**
(45) **Date of Patent:** **** Mar. 13, 2012**

(54) **CUFF FOR AN AIR DELIVERY TUBE**

(75) Inventors: **Nathan John Row**, Lane Cove (AU);
Nicholas Andrew Earl, Royston (GB);
Mark Bertinetti, Ermington (AU);
Alexander Virr, Mangrove Mountain
(AU); **Hargopal Verma**, Parramatta
(AU)

(73) Assignee: **ResMed Limited**, Bella Vista (AU)

(**) Term: **14 Years**

(21) Appl. No.: **29/371,754**

(22) Filed: **Sep. 1, 2011**

Related U.S. Application Data

(62) Division of application No. 29/371,554, filed on Apr. 19, 2011, which is a division of application No. 29/371,132, filed on Oct. 28, 2010, now Pat. No. Des. 638,536, which is a division of application No. 29/311,222, filed on Jan. 22, 2009, now Pat. No. Des. 628,288.

(51) **LOC (9) Cl.** **24-02**

(52) **U.S. Cl.** **D24/129**

(58) **Field of Classification Search** D24/107,
D24/110, 110.4, 110.5, 110.6, 127, 128, 129,
D24/164; 128/200.24, 201.22, 202.27, 203.27,
128/204.18, 205.25, 206.15, 206.21; 138/121,
138/122; 174/47; 285/260; 604/27

See application file for complete search history.

(56) **References Cited**

U.S. PATENT DOCUMENTS

1,746,701 A	2/1930	Kimmich
2,045,540 A	6/1936	Debenedetti
2,073,335 A	3/1937	Connell
2,516,864 A	8/1950	Gilmore
2,954,802 A	10/1960	Duff
3,163,707 A	12/1964	Darling
3,794,080 A	2/1974	Huston et al.
D302,040 S	7/1989	Lambert

5,007,839 A	4/1991	Holden et al.
5,125,909 A	6/1992	Heimberger
5,720,504 A	2/1998	Stedman et al.
D410,541 S	6/1999	Moulin
5,944,059 A	8/1999	Masui
6,065,472 A	5/2000	Anderson et al.
D439,326 S	3/2001	Hecker et al.
6,367,510 B1	4/2002	Carlson
6,378,166 B1	4/2002	Bruno et al.
6,722,903 B2	4/2004	Mulvenna et al.
6,722,904 B2	4/2004	Linhart
6,953,354 B2	10/2005	Edirisuriya

(Continued)

FOREIGN PATENT DOCUMENTS

WO WO 2010031126 3/2010

OTHER PUBLICATIONS

Row et al., Parent Application U.S. Appl. No. 29/371,554, filed Apr. 19, 2011.

(Continued)

Primary Examiner — Karen E Eldridge Powers

(74) *Attorney, Agent, or Firm* — Nixon & Vanderhye P.C.

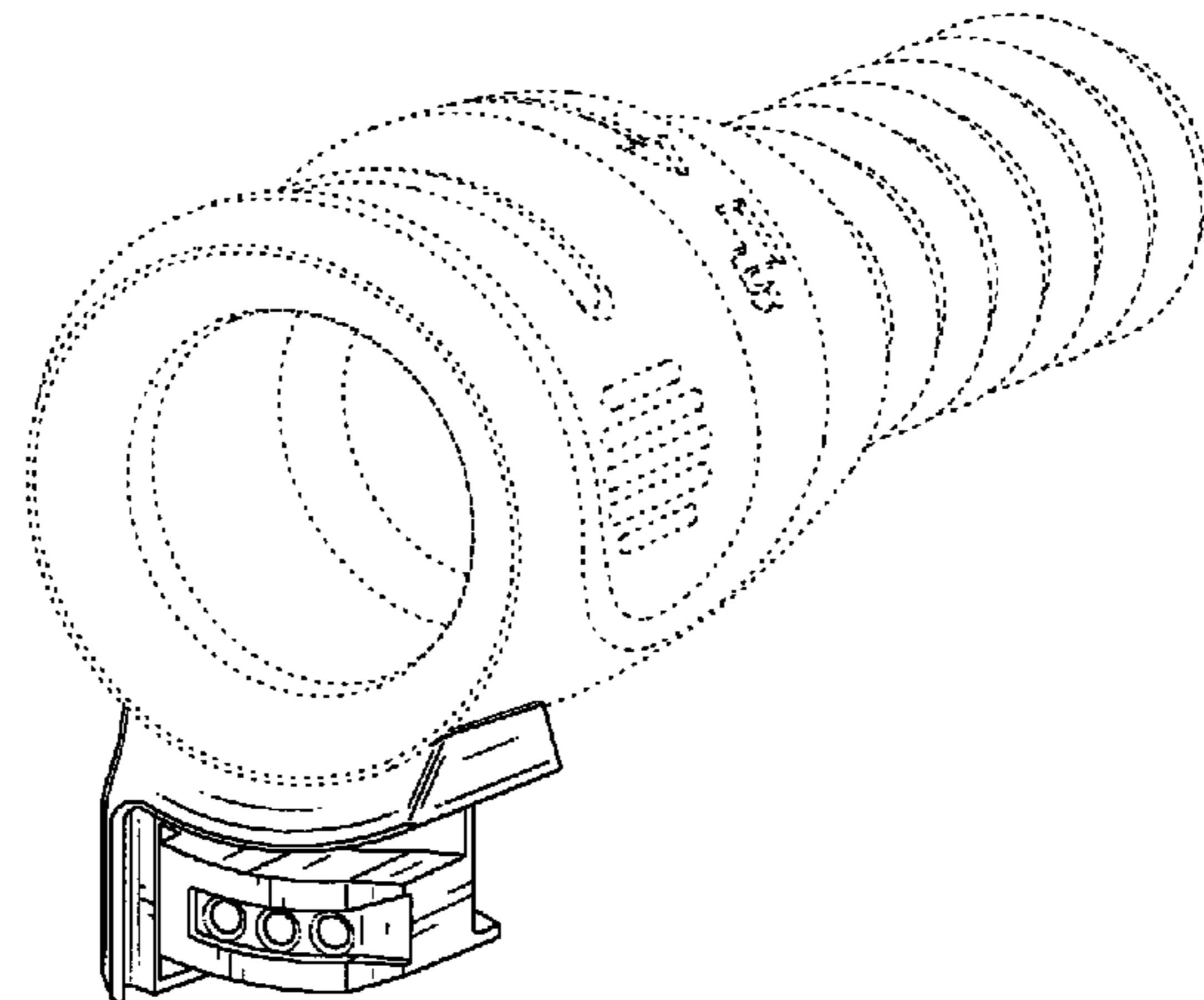
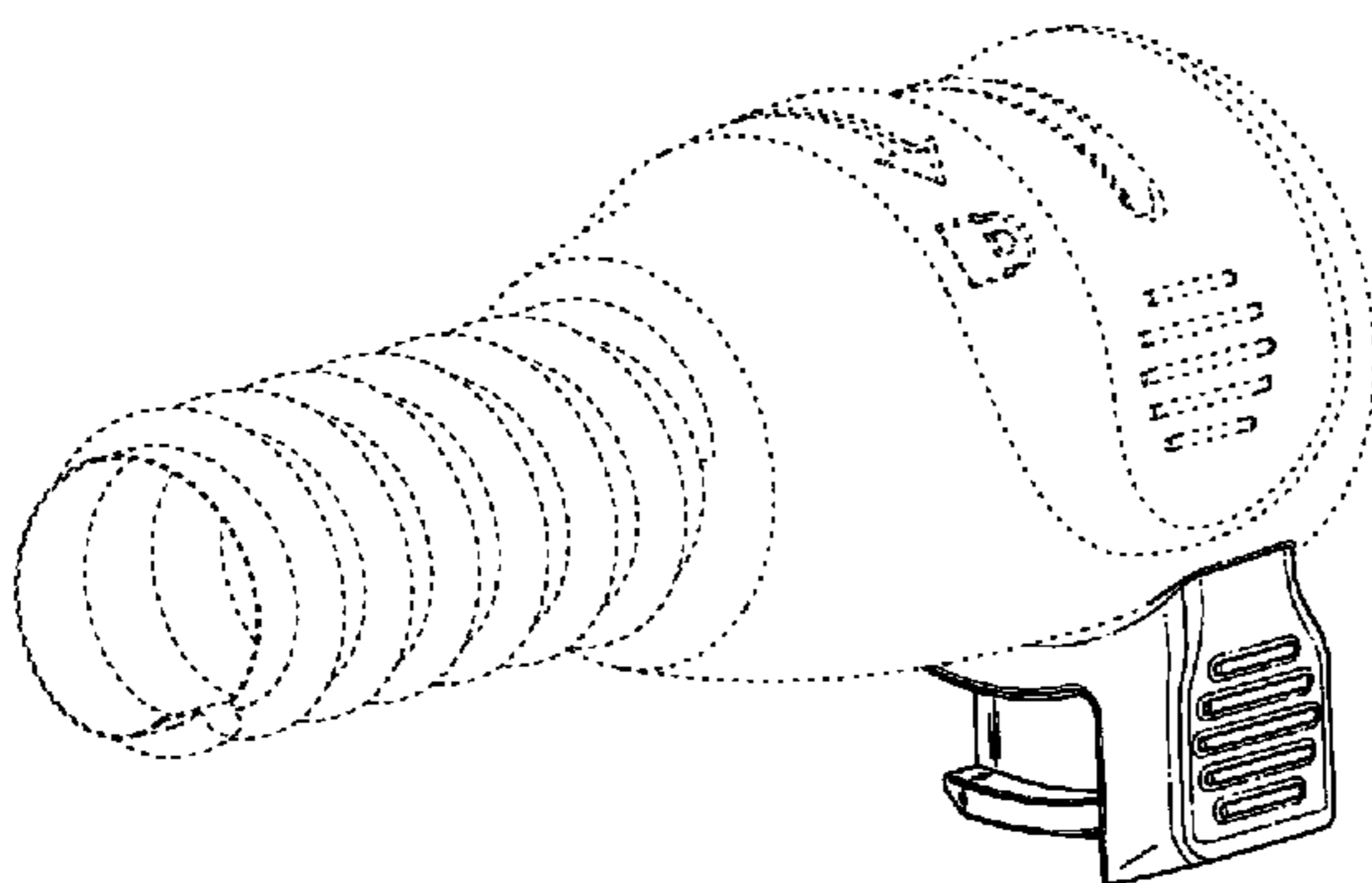
(57) **CLAIM**

The ornamental design for a cuff for an air delivery tube, as shown and described.

DESCRIPTION

FIG. 1 is a front perspective view of a cuff for an air delivery tube according to our new ornamental design;
FIG. 2 is a front view thereof;
FIG. 3 is a rear view thereof;
FIG. 4 is a top view thereof;
FIG. 5 is a bottom view thereof;
FIG. 6 is a left side view thereof;
FIG. 7 is a right side view thereof; and,
FIG. 8 is a reverse perspective view thereof.
The broken lines represent environmental structure and do not form a part of the claimed design.

1 Claim, 4 Drawing Sheets



US D655,813 S

Page 2

U.S. PATENT DOCUMENTS

6,983,757 B1 1/2006 Becker et al.
7,077,166 B2 7/2006 Heo et al.
7,226,302 B2 6/2007 Walter et al.
7,597,100 B2 10/2009 Ging et al.
7,621,766 B2 11/2009 Schutz
D628,288 S 11/2010 Row et al.
D629,891 S 12/2010 Virr et al.
D629,892 S 12/2010 Hill et al.
D638,536 S 5/2011 Row et al.
2003/0154978 A1 8/2003 Gradon et al.
2006/0112962 A1 6/2006 Tebbutt et al.
2006/0283461 A1 12/2006 Lubke et al.
2007/0000492 A1 1/2007 Hansel et al.
2007/0095350 A1 5/2007 Darkin et al.
2007/0218734 A1 9/2007 Walter et al.
2007/0277828 A1 12/2007 Ho et al.
2008/0077176 A1 3/2008 Hanlon et al.
2008/0105257 A1 5/2008 Klasek et al.
2008/0207028 A1 8/2008 Schutz

2009/0133696 A1 5/2009 Remmers et al.
2009/0194112 A1 8/2009 Gunaratnam et al.
2011/0079221 A1* 4/2011 Dillard et al. 128/200.24

OTHER PUBLICATIONS

Row et al., U.S. Appl. No. 12/461,967, filed Aug. 28, 2009.
Row et al., U.S. Appl. No. 61/202,907, filed Apr. 17, 2009.
Virr et al., U.S. Appl. No. 61/097,765, filed Sep. 17, 2008.
Virr et al., U.S. Appl. No. 61/226,134, filed Jul. 16, 2009.
CPAP Tubing, 6 ft (CPAP-6G), as shown on www.myrespiratorysupply.com, viewed Apr. 13, 2010 and review of same dated May 10, 2007 (3 pages).
ResMed's S9 Series Humidair H5i Heated Humifier with Climate Control, as shown on www.cpap.com, viewed Apr. 13, 2010 (13 pages). See p. 10-11 for tubing connectors.
ResMed's S9 ClimateLine heated tubing, as shown on www.s9morecomfort.com, viewed Apr. 13, 2010 (4 pages).

* cited by examiner

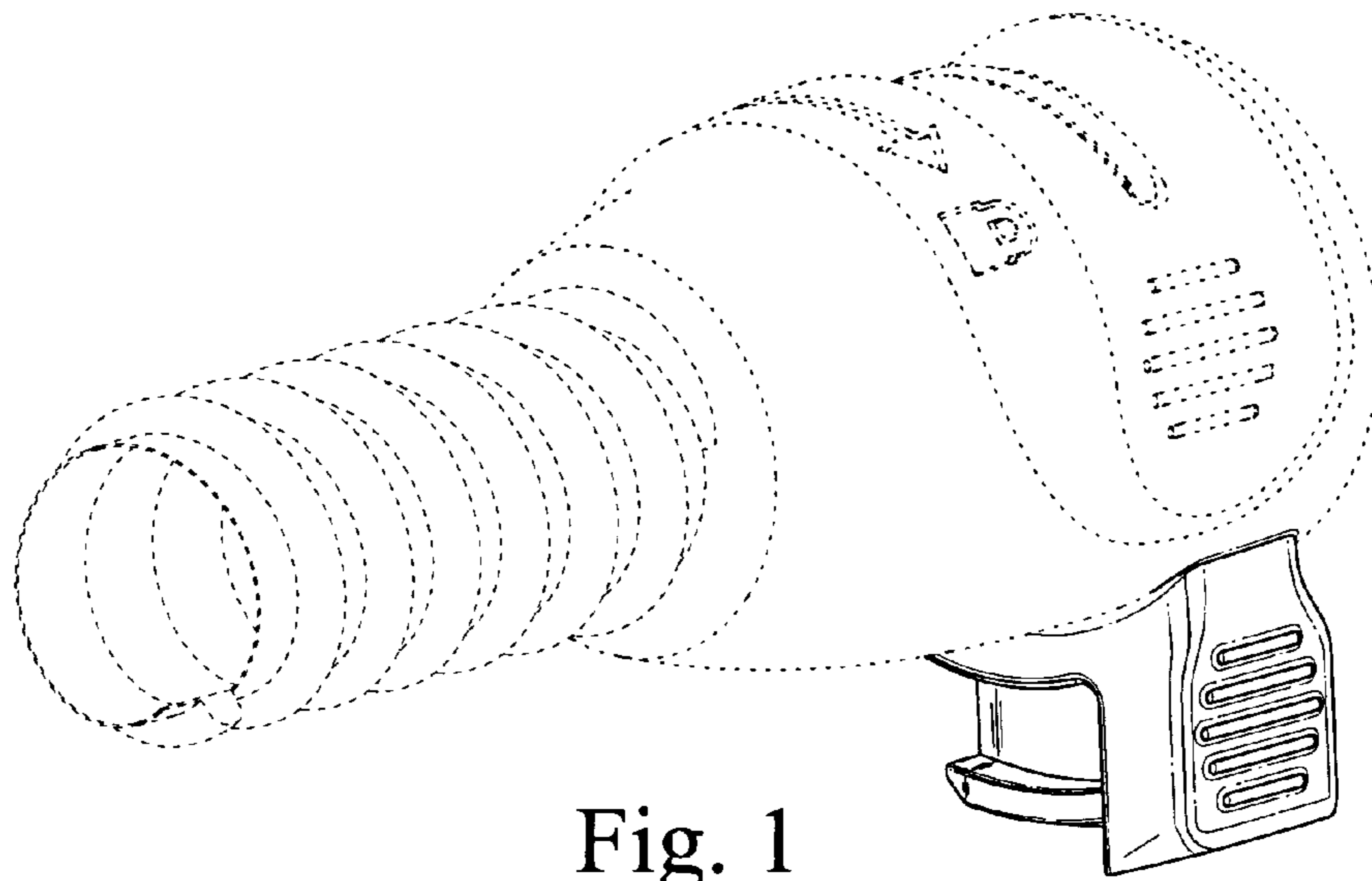


Fig. 1

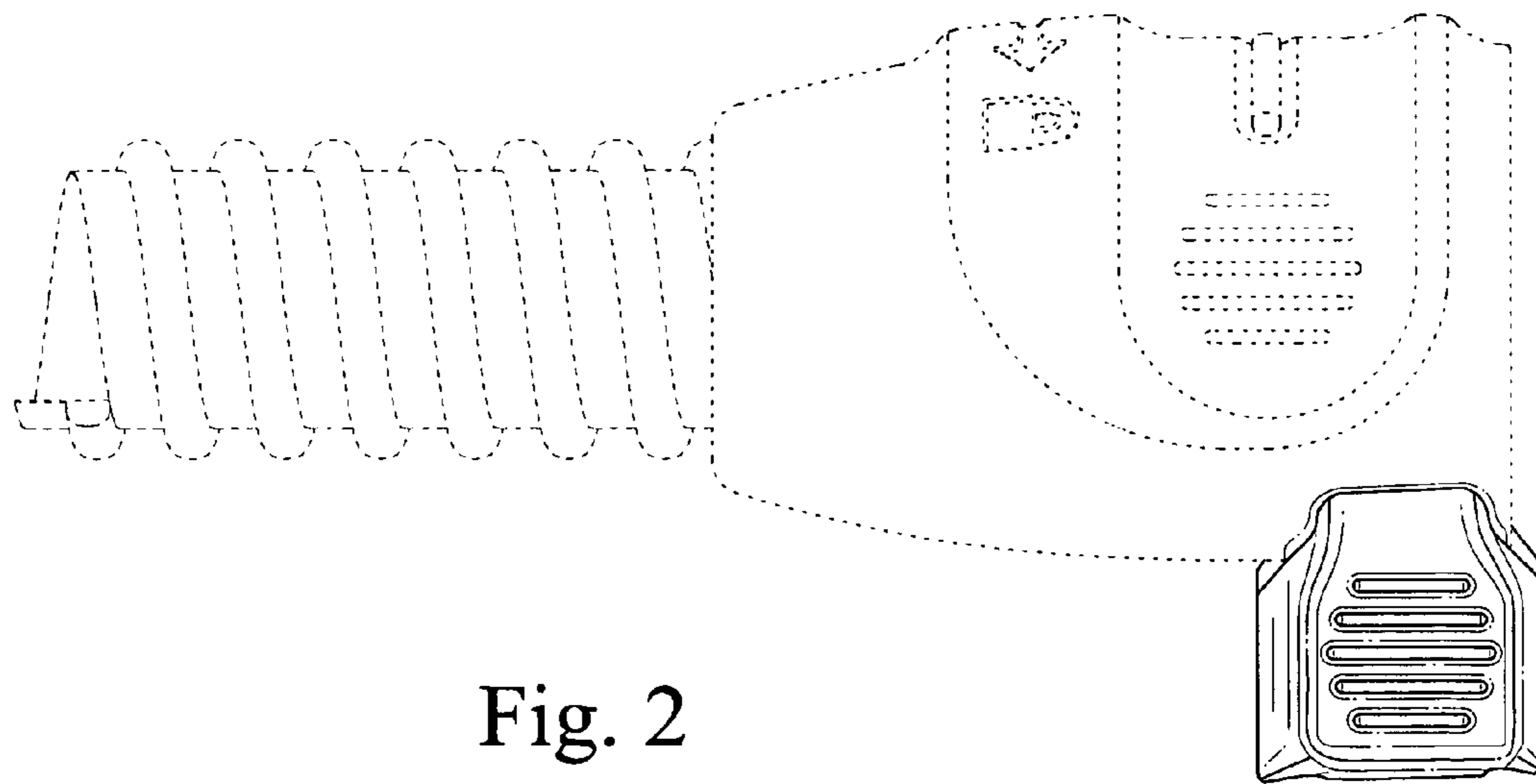


Fig. 2

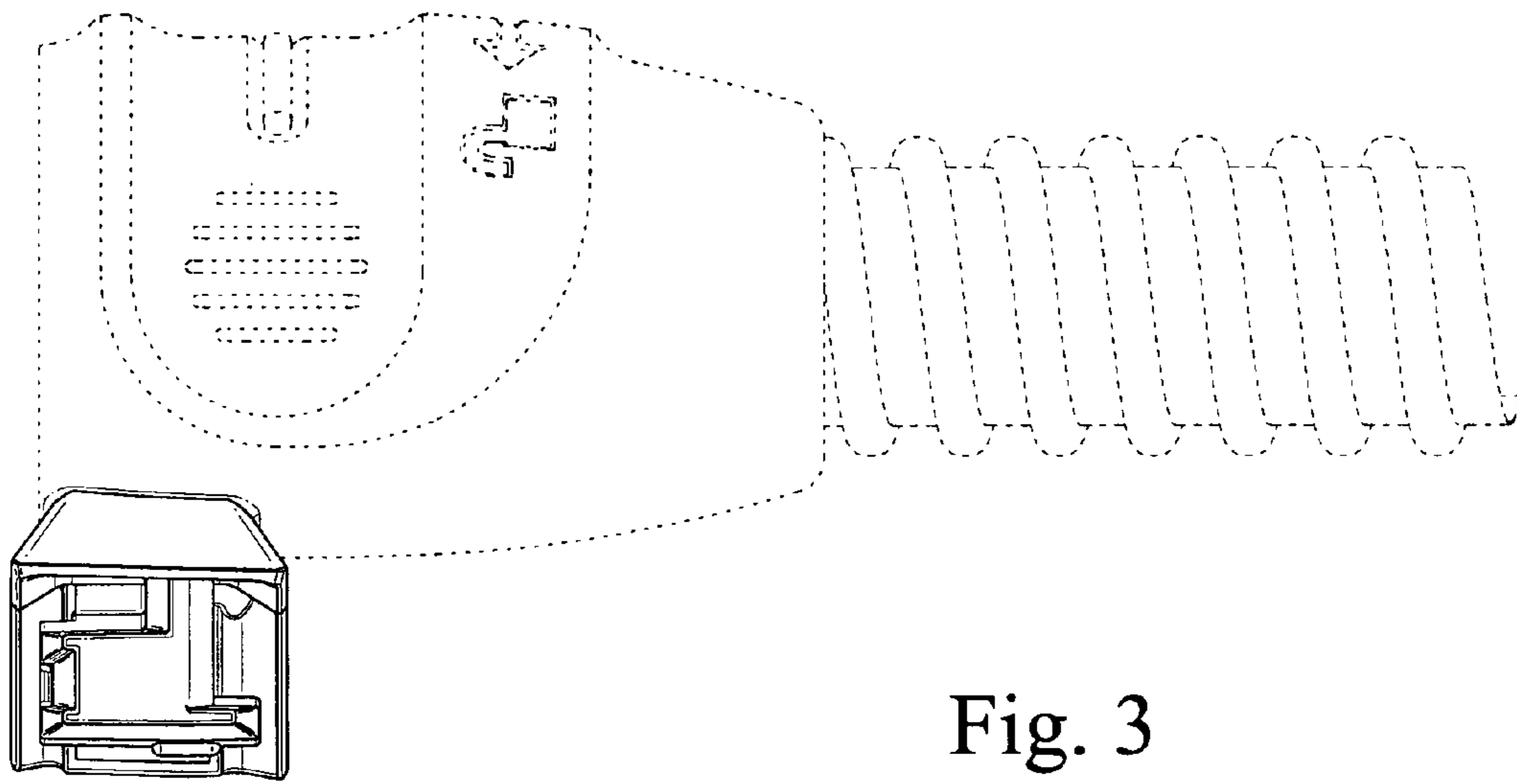


Fig. 3

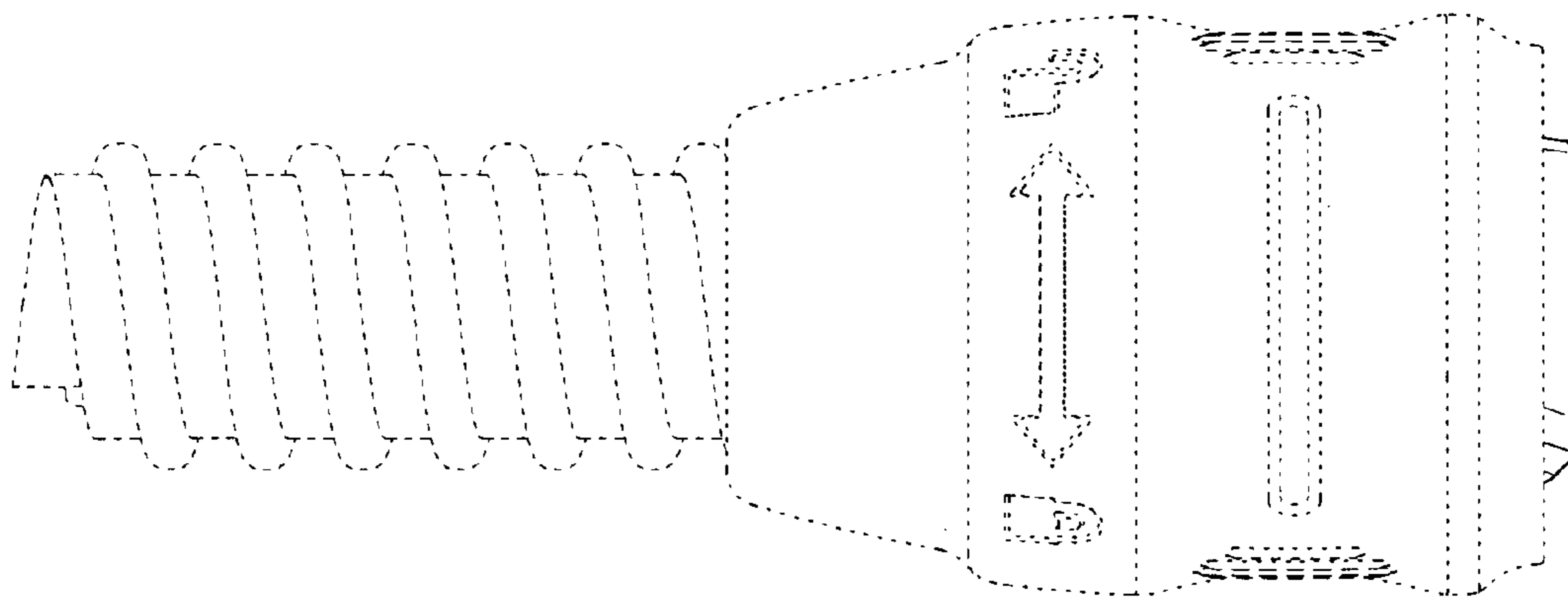


Fig. 4

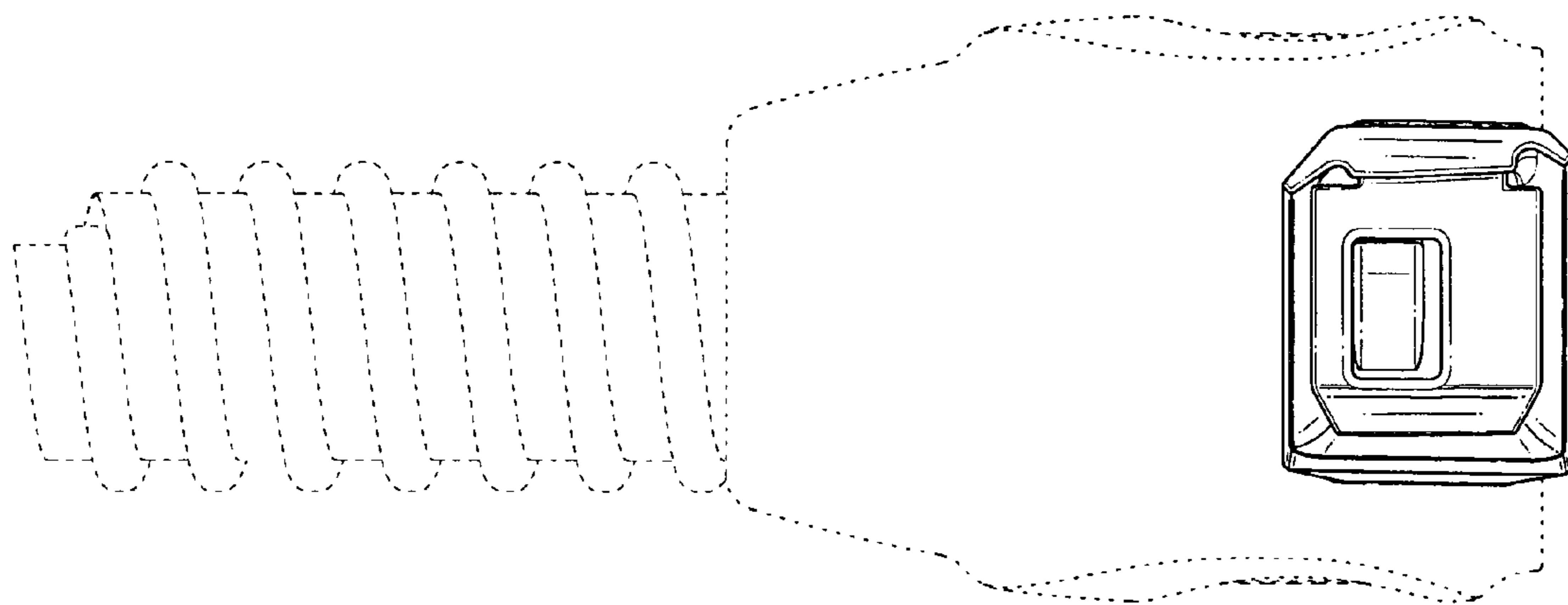


Fig. 5

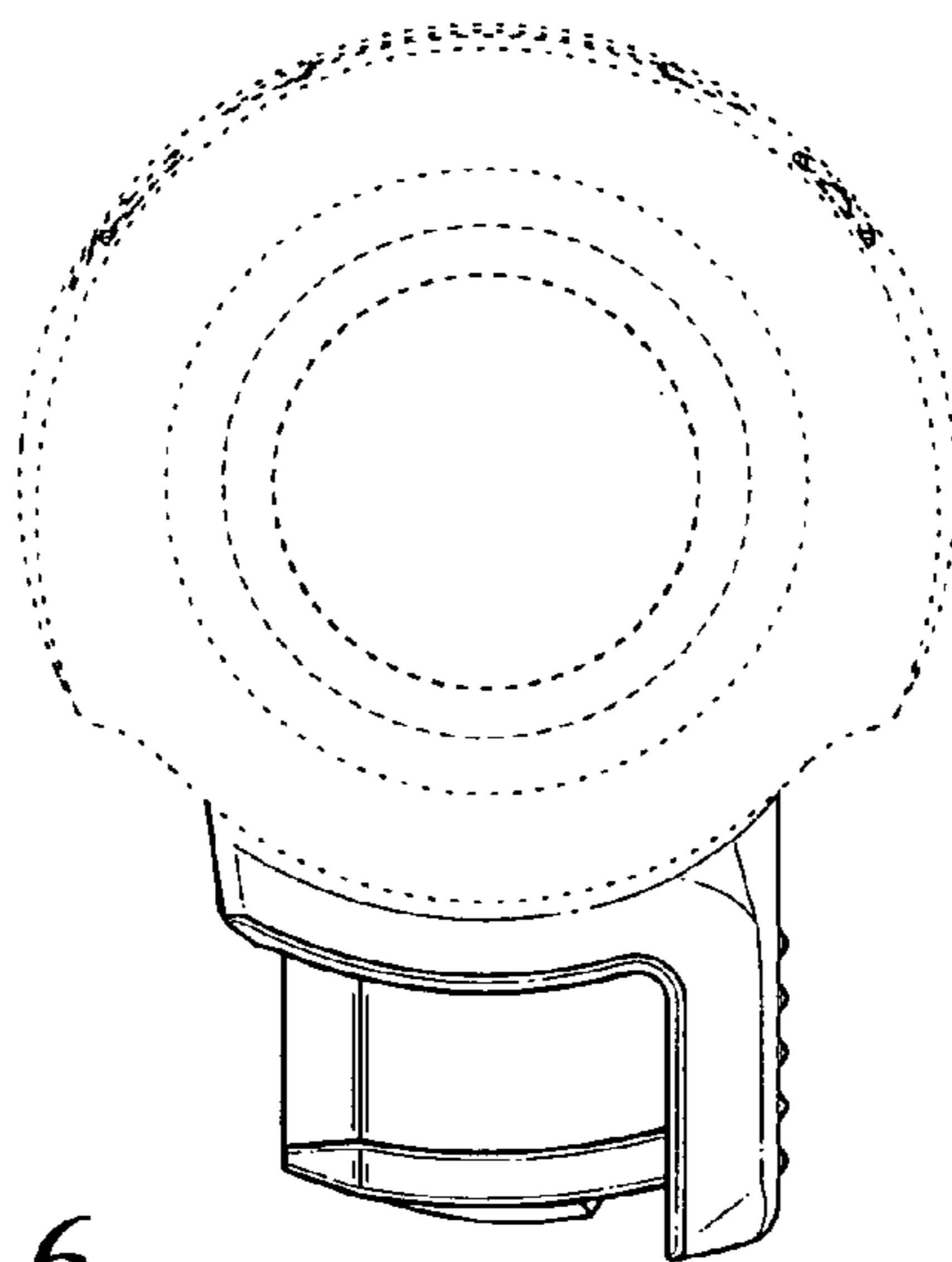


Fig. 6

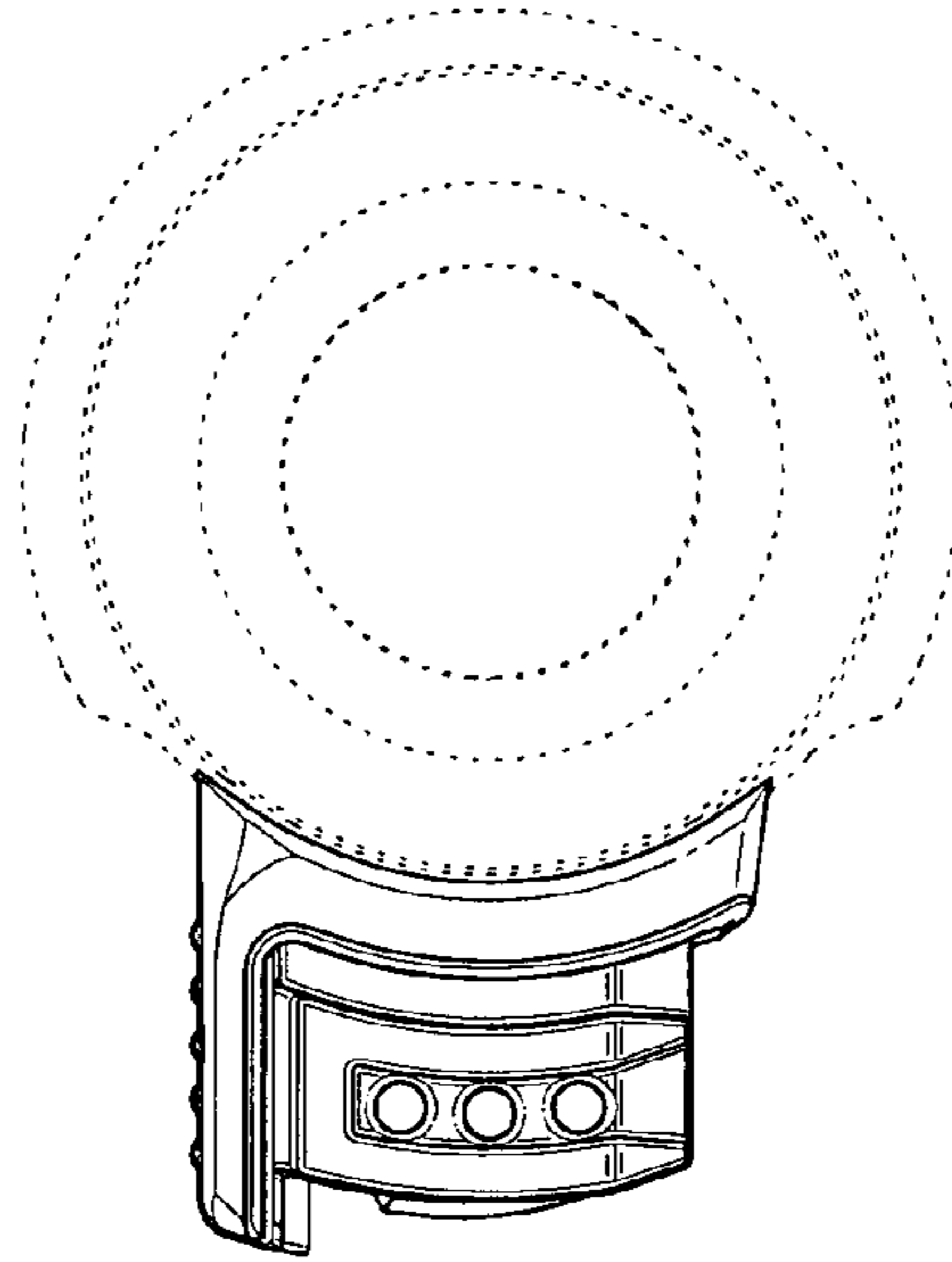


Fig. 7

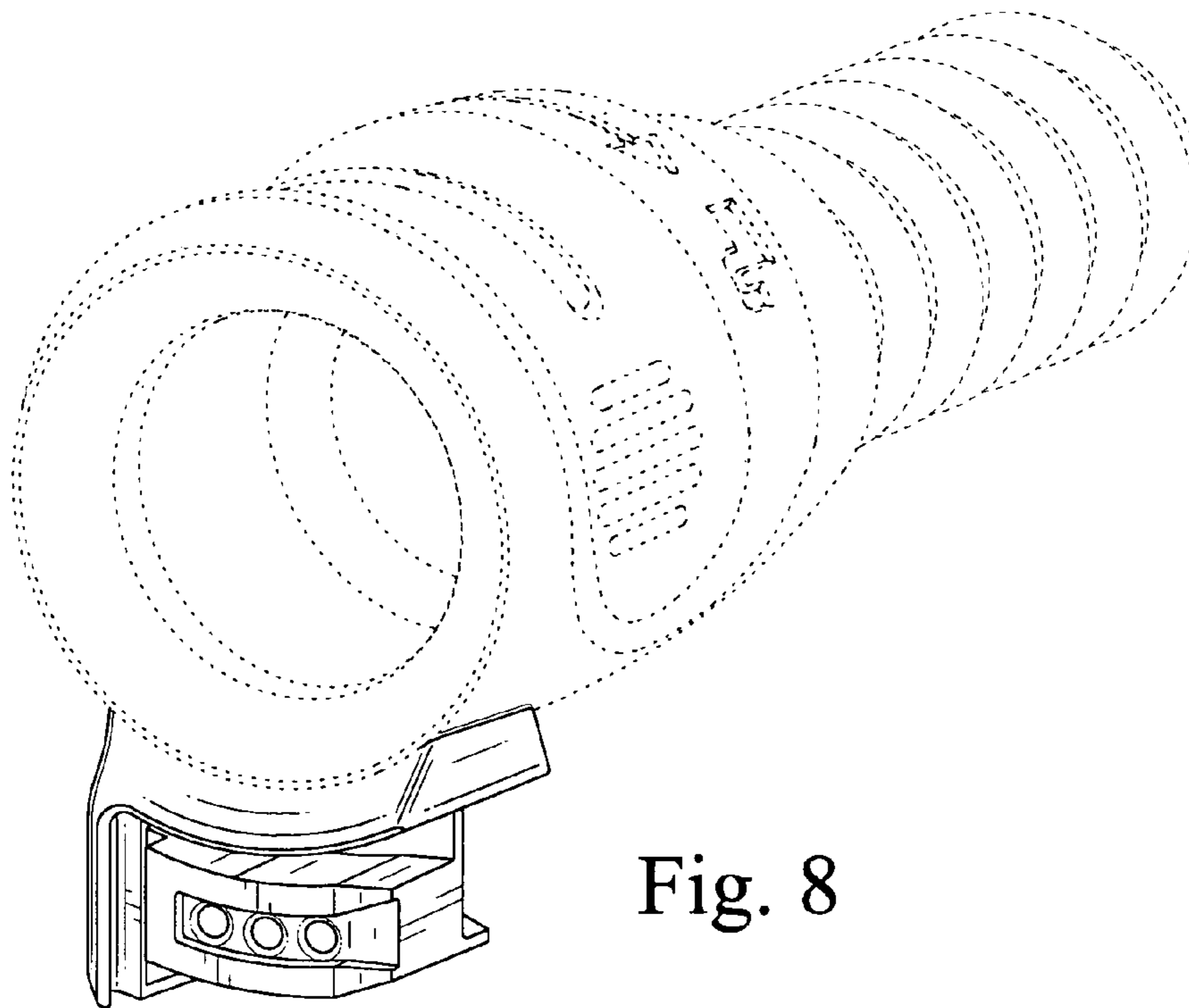


Fig. 8

UNITED STATES PATENT AND TRADEMARK OFFICE
CERTIFICATE OF CORRECTION

PATENT NO. : D655,813 S
APPLICATION NO. : 29/371754
DATED : March 13, 2012
INVENTOR(S) : Nathan John Row et al.

Page 1 of 1

It is certified that error appears in the above-identified patent and that said Letters Patent is hereby corrected as shown below:

TITLE PAGE: ITEM 75 should read

Nathan John Row, Lane Cove (AU), Nicholas Andrew Earl, Kanwal (AU), Alexander Virr, Mangrove Mountain (AU), Hargopal Verma, Parramatta (AU)

Signed and Sealed this
Twenty-fourth Day of March, 2015



Michelle K. Lee
Director of the United States Patent and Trademark Office