



US00D655806S

(12) **United States Design Patent**  
**Brede et al.**

(10) **Patent No.:** **US D655,806 S**  
(45) **Date of Patent:** **\*\* Mar. 13, 2012**

(54) **MAGNETIC SEPARATION APPARATUS**

(75) Inventors: **Gaute Brede**, Ranheim (NO); **Darren Ellis**, Lommedalen (NO); **Tine Hildisch**, Oslo (NO); **Jeremy (“Jez”) Mundy**, Fairford (GB); **Lars Nokleby**, Stabekk (NO); **Erlend Ragnhildstveit**, Oslo (NO); **Richard Toften**, Paradis (NO); **Kornelija Zgonc**, Carlsbad, CA (US)

(73) Assignee: **Life Technologies Corporation**, Carlsbad, CA (US)

(\*\*) Term: **14 Years**

(21) Appl. No.: **29/388,166**

(22) Filed: **Mar. 24, 2011**

**Related U.S. Application Data**

(62) Division of application No. 29/305,042, filed on Mar. 12, 2008, now Pat. No. Des. 637,709.

(30) **Foreign Application Priority Data**

Sep. 12, 2007 (EP) ..... 000788799-001  
Sep. 12, 2007 (EP) ..... 000788799-002  
Sep. 12, 2007 (EP) ..... 000788799-003  
Sep. 12, 2007 (EP) ..... 000788799-004

(51) **LOC (9) Cl.** ..... **24-02**

(52) **U.S. Cl.** ..... **D24/107**

(58) **Field of Classification Search** ..... D24/107, D24/108; 210/222, 232, 695; 422/101, 104

See application file for complete search history.

(56) **References Cited**

U.S. PATENT DOCUMENTS

5,567,326 A 10/1996 Ekenberg et al.  
6,562,239 B2 5/2003 Foy et al.  
7,740,759 B2 6/2010 Su et al.  
D637,709 S \* 5/2011 Brede et al. .... D24/107

OTHER PUBLICATIONS

Application Serial No. 215253 Office Action Response-1 Month filed Sep. 8, 2008.  
Application Serial No. 215254 Office Action Response-1 Month filed Sep. 8, 2008.  
Application Serial No. 215255 Office Action Response filed Sep. 8, 2008.  
2008-006211, Office Action mailed Jan. 16, 2009.  
2008-006211, Response to Jan. 16, 2009 Office Action, filed Mar. 26, 2009.  
2008-006212, Office Action mailed Jan. 16, 2009.  
2008-006213, Office Action mailed Jan. 16, 2009.  
200830007288.0, Office Action mailed Apr. 8, 2009.  
200830007288.0, Response to Apr. 8, 2009 Office Action.  
200830007289.5, Office Action mailed Dec. 24, 2008.  
200830007289.5, Office Action mailed Jun. 24, 2009.  
200830007289.5, Response to Jun. 24, 2009 Office Action filed Aug. 11, 2009.  
200830007290.8, Office Action Received-1 Month Response.  
200830007290.8, Response to Jan. 24, 2009 Office Action filed on May 13, 2009.  
200830007291.2, Office Action mailed Feb. 4, 2009.

(Continued)

*Primary Examiner* — Lisa Lichtenstein

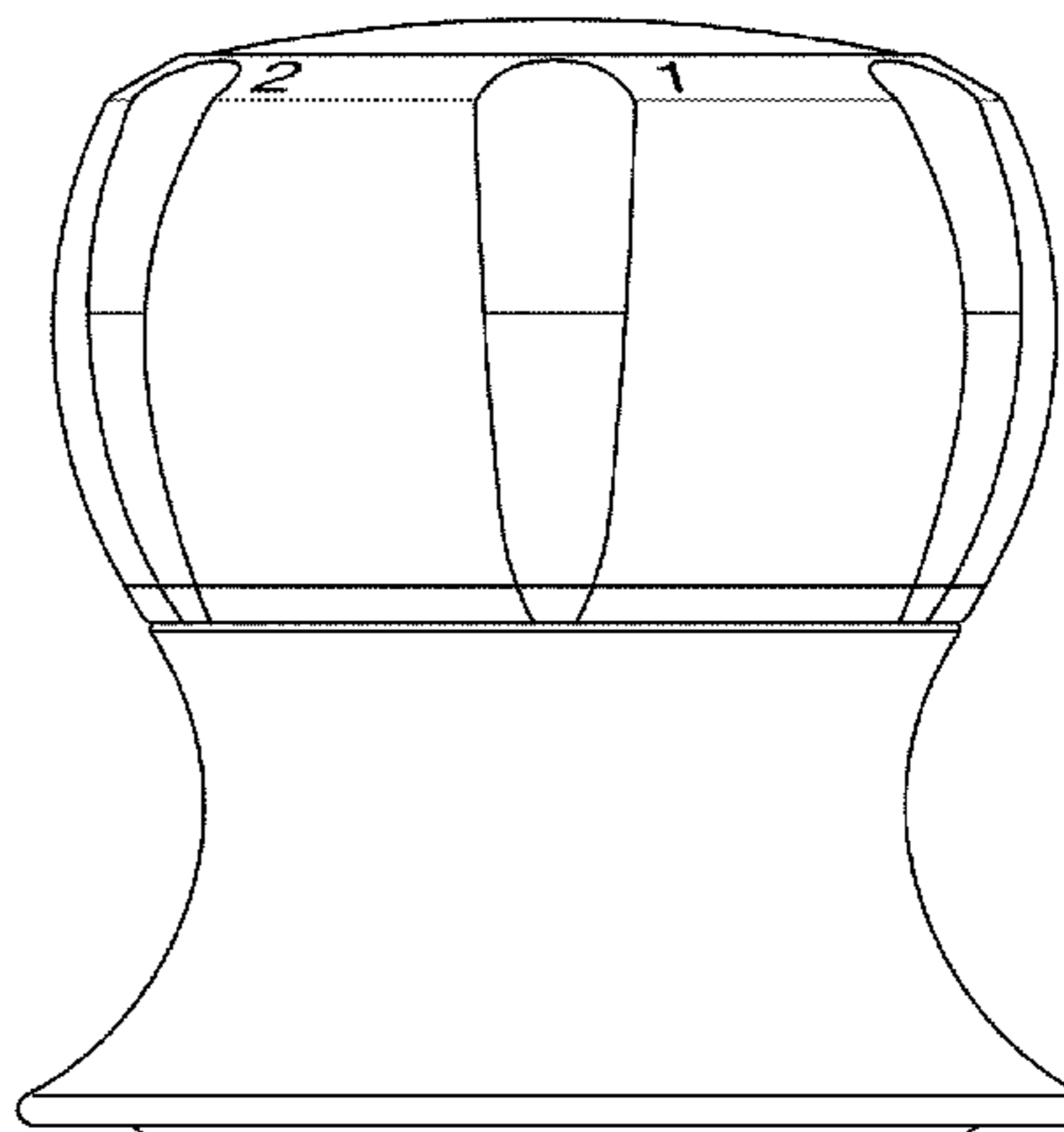
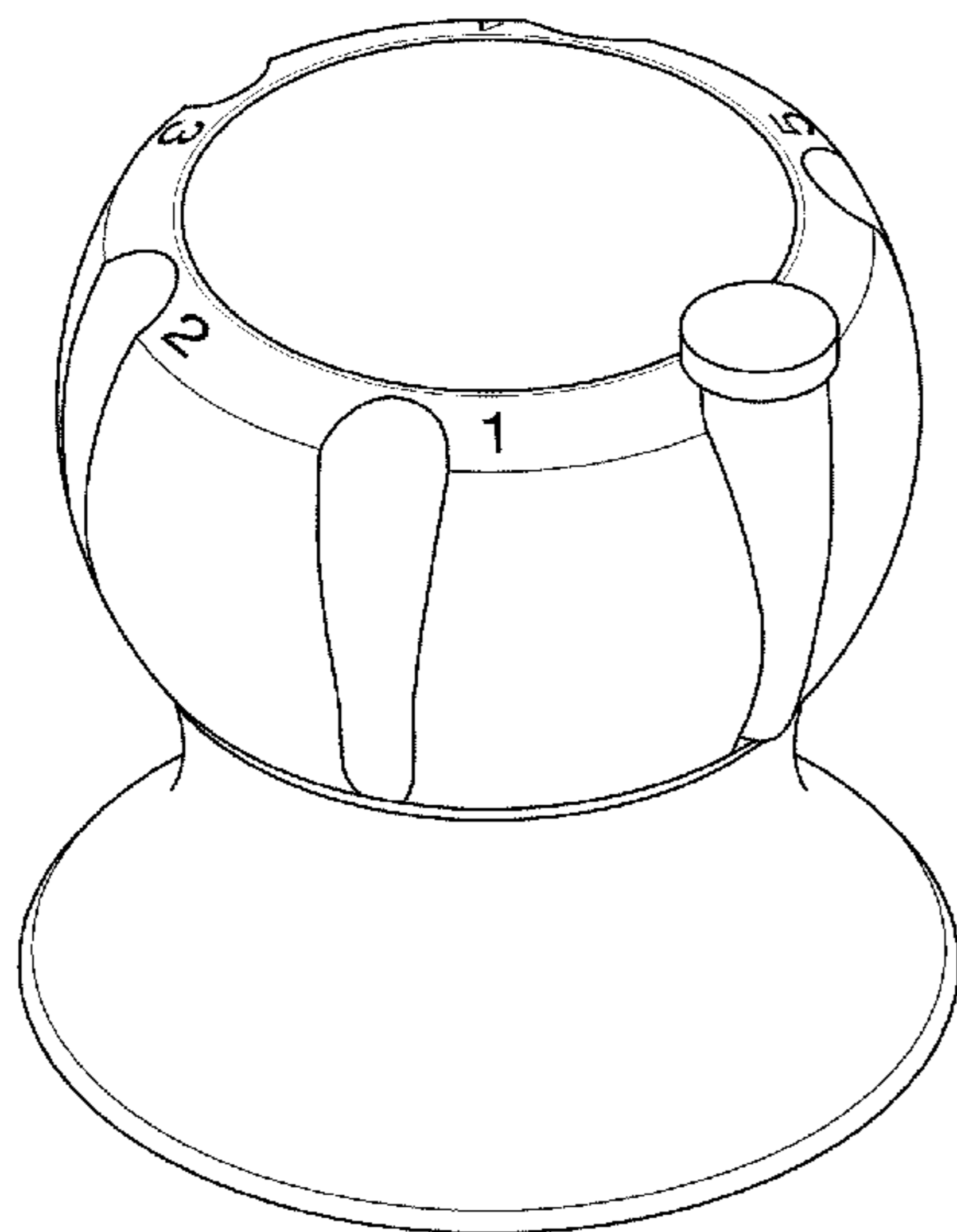
(57) **CLAIM**

The ornamental design for a magnetic separation apparatus, as shown and described.

**DESCRIPTION**

FIG. 1 is a front perspective view of an embodiment; FIG. 2 is a bottom plan view of an embodiment; FIG. 3 is a front elevation view of an embodiment; and, FIG. 4 is a top plan view of an embodiment.

**1 Claim, 3 Drawing Sheets**



# US D655,806 S

Page 2

---

## OTHER PUBLICATIONS

200830007291.2, Response to Feb. 4, 2009 Office Action filed May 8, 2009.

U.S. Appl. No. 29/305,042 Notice of Allowance mailed Dec. 29, 2010.

U.S. Appl. No. 29/305,042, Office Action mailed Sep. 21, 2010.

\* cited by examiner

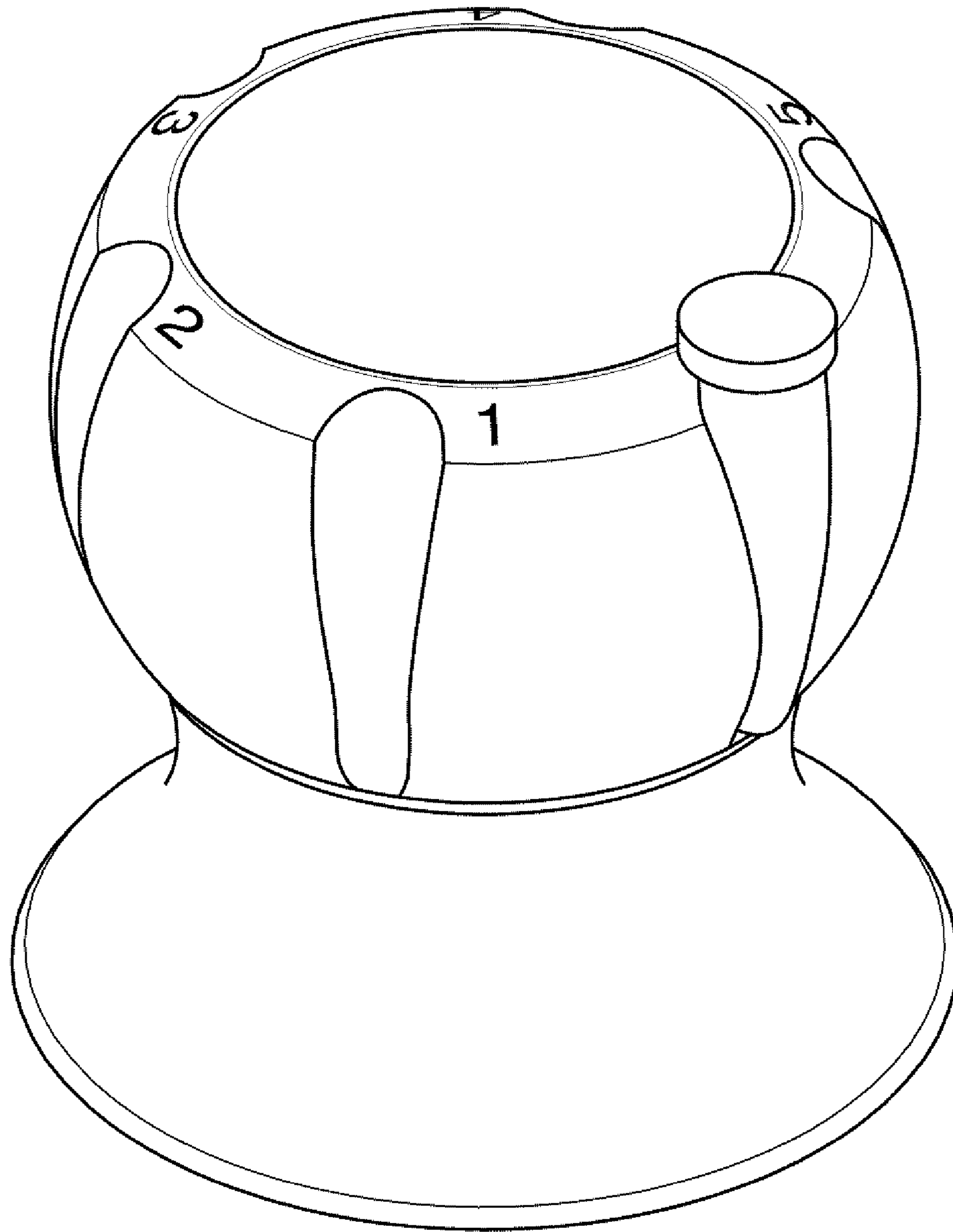


FIG. 1

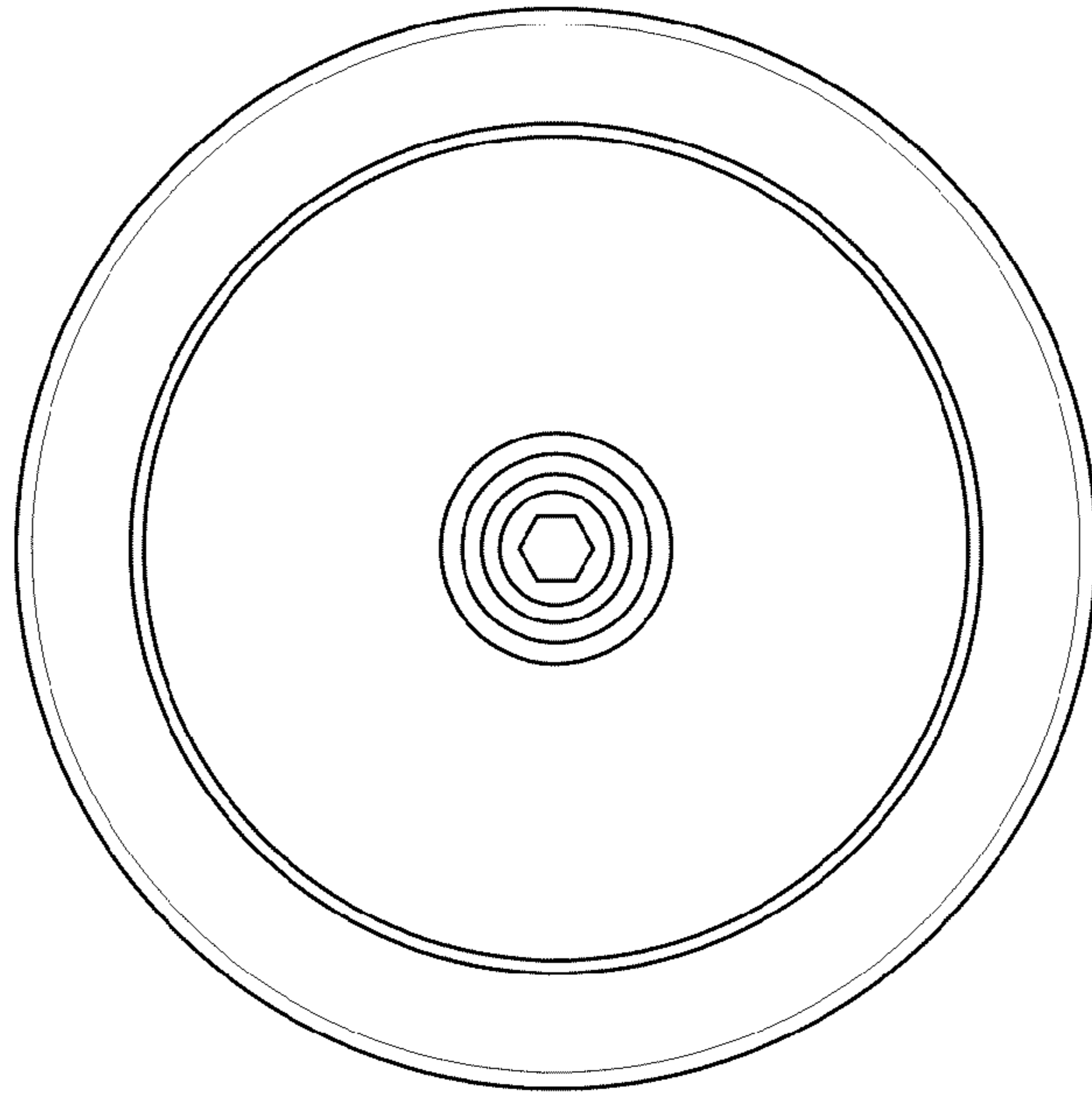


FIG. 2

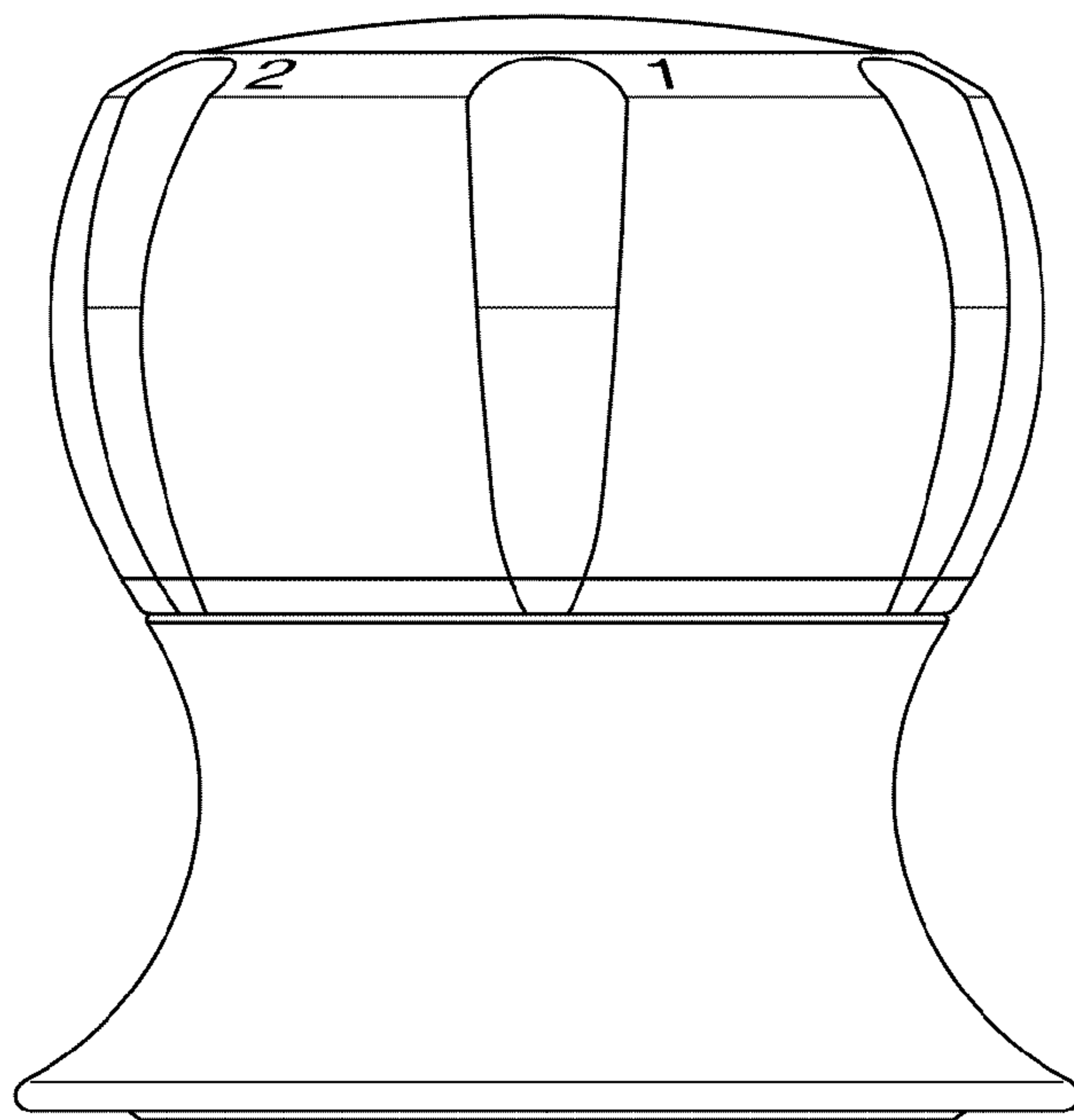


FIG. 3

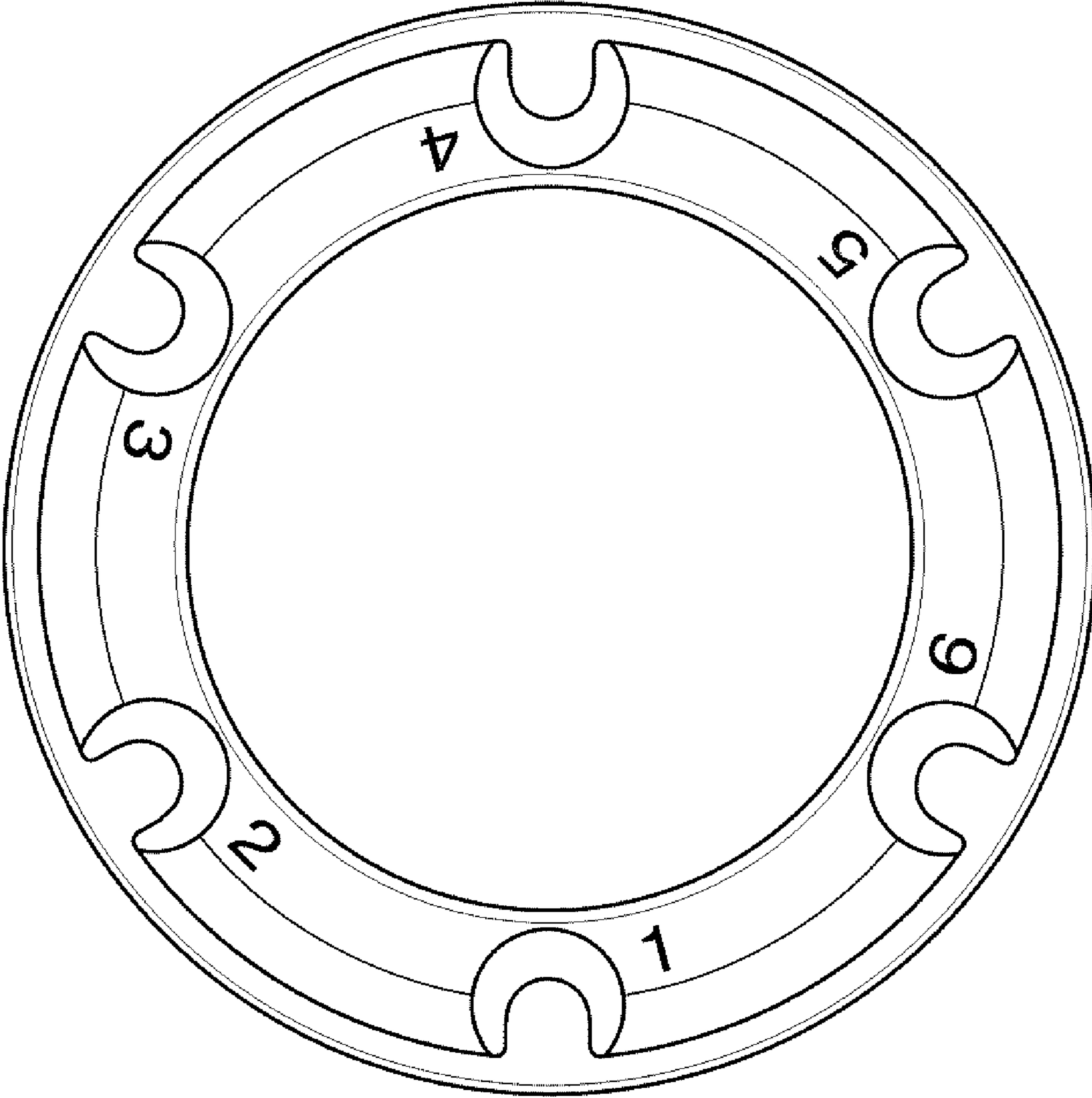


FIG. 4

UNITED STATES PATENT AND TRADEMARK OFFICE  
**CERTIFICATE OF CORRECTION**

PATENT NO. : D655,806 S  
APPLICATION NO. : 29/388166  
DATED : March 24, 2011  
INVENTOR(S) : Daren James Ellis et al.

Page 1 of 1

It is certified that error appears in the above-identified patent and that said Letters Patent is hereby corrected as shown below:

Title page, item [30]

Priority - Cross-Reference to Related Applications Section on Cover Page should read as

-- This application is a division of US Design Application No. 29/305,042 filed March 12, 2008, now issued as U.S. Patent D 637,709, which claims priority to EP Application No. 000788799-0001 filed September 12, 2007, EP Application No. 000788799-0002 filed September 12, 2007, EP Application No. 000788799-0003 filed September 12, 2007, and EP Application No. 000788799-0004 filed September 12, 2007, which disclosures are herein incorporated by reference in their entirety. --

Signed and Sealed this  
Twenty-eighth Day of August, 2012

A handwritten signature in black ink that reads "David J. Kappos". The signature is written in a cursive, slightly slanted style.

David J. Kappos  
*Director of the United States Patent and Trademark Office*