

US00D655799S

(12) **United States Design Patent**  
**Vanderheyden et al.**

(10) **Patent No.:** **US D655,799 S**  
(45) **Date of Patent:** **\*\* Mar. 13, 2012**

(54) **LAVATORY**

(75) Inventors: **Jacob P. Vanderheyden**, Sheboygan, WI (US); **Nicholas Paterson**, Whitefish Bay, WI (US)

(73) Assignee: **Kohler Co.**, Kohler, WI (US)

(\*\*) Term: **14 Years**

(21) Appl. No.: **29/385,779**

(22) Filed: **Feb. 18, 2011**

(51) **LOC (9) Cl.** ..... **23-01**

(52) **U.S. Cl.** ..... **D23/292**

(58) **Field of Classification Search** ..... D23/284,  
D23/292, 293.1, 303, 308; 4/619, 643  
See application file for complete search history.

(56) **References Cited**

**U.S. PATENT DOCUMENTS**

D407,470 S *	3/1999	McKeone	.....	D23/292
D500,843 S *	1/2005	Takou	.....	D23/292
D542,893 S *	5/2007	Dolan	.....	D23/292
D543,262 S *	5/2007	Dolan	.....	D23/292
D588,245 S *	3/2009	Kohler et al.	.....	D23/293.1

\* cited by examiner

*Primary Examiner* — Robert Delehanty

(74) *Attorney, Agent, or Firm* — Foley & Lardner LLP

(57) **CLAIM**

We claim the ornamental design for a lavatory, as shown and described.

**DESCRIPTION**

FIG. 1 is a top perspective view of an embodiment of the claimed design;

FIG. 2 is a front elevation view of the claimed design of FIG. 1;

FIG. 3 is a rear elevation view of the claimed design of FIG. 1;

FIG. 4 is a right-side elevation view of the claimed design of FIG. 1;

FIG. 5 is a top plan view of the claimed design of FIG. 1;

FIG. 6 is a bottom plan view of the claimed design of FIG. 1;

FIG. 7 is a top perspective view of another embodiment of the claimed design;

FIG. 8 is a front elevation view of the claimed design of FIG. 7;

FIG. 9 is a rear elevation view of the claimed design of FIG. 7;

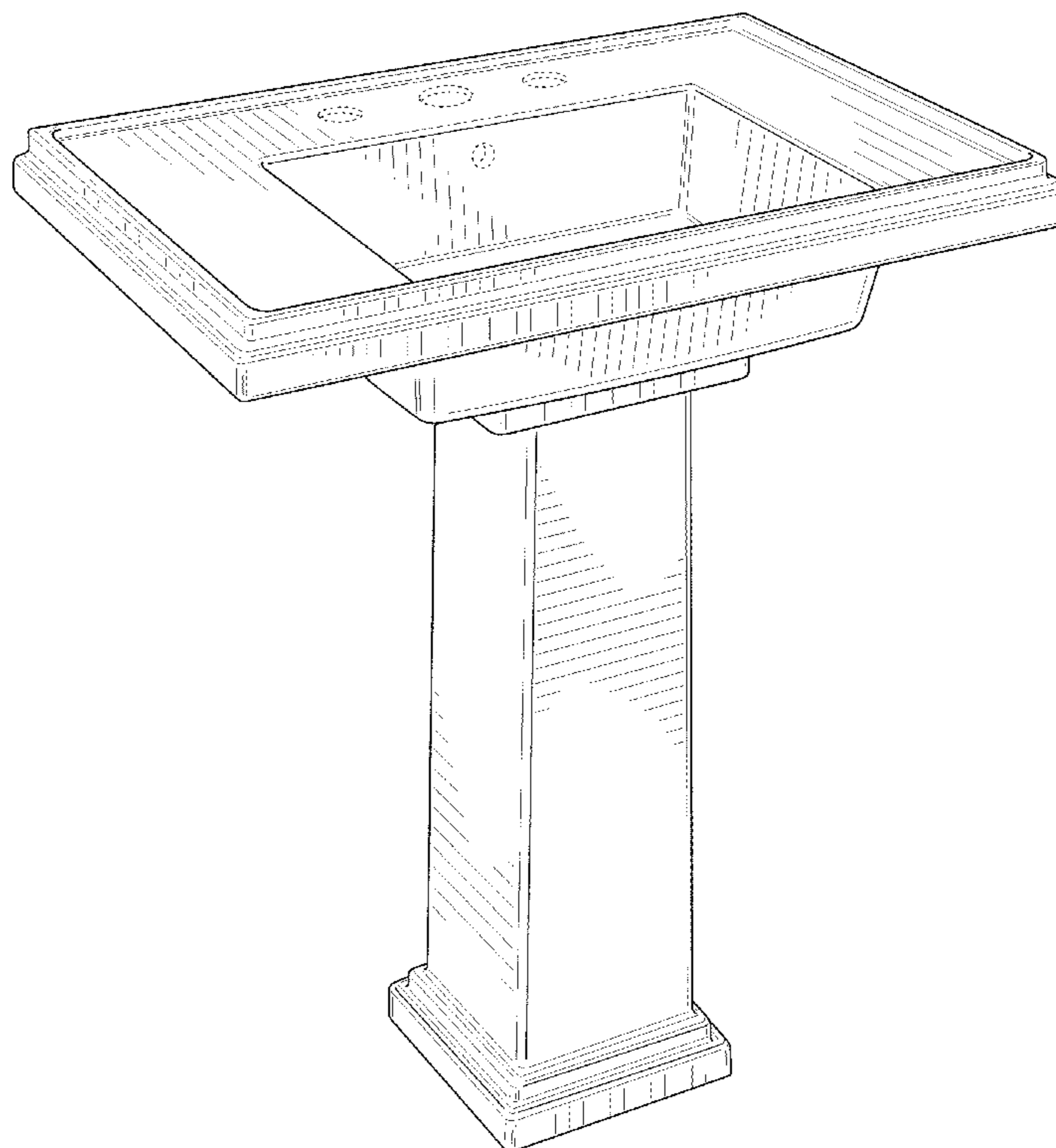
FIG. 10 is a right-side elevation view of the claimed design of FIG. 7;

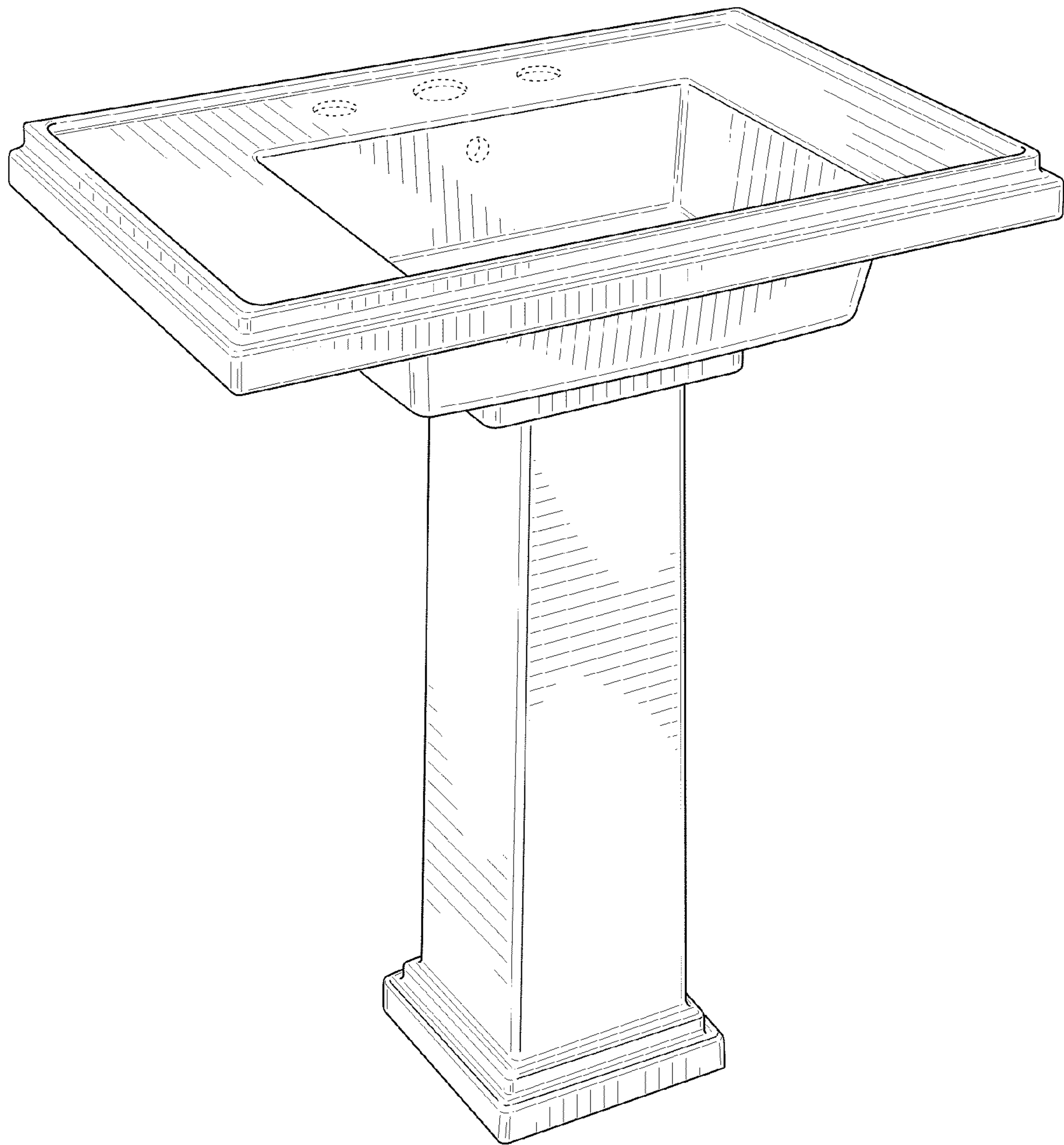
FIG. 11 is a top plan view of the claimed design of FIG. 7; and,

FIG. 12 is a bottom plan view of the claimed design of FIG. 7.

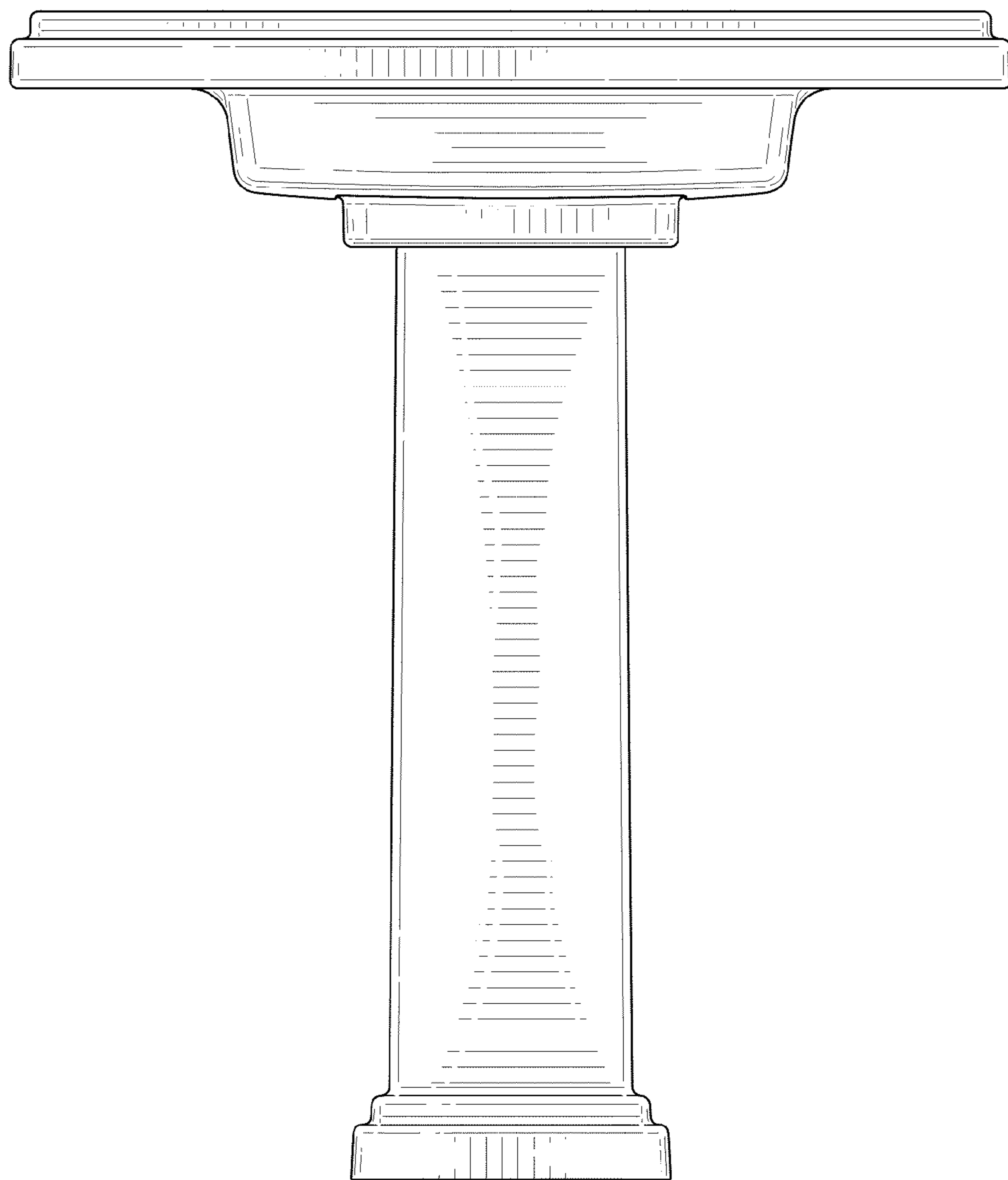
The ornamental design which is claimed is shown in solid lines in the drawings. The broken lines in the drawings are for illustrative purposes only and form no part of the claimed design.

**1 Claim, 10 Drawing Sheets**

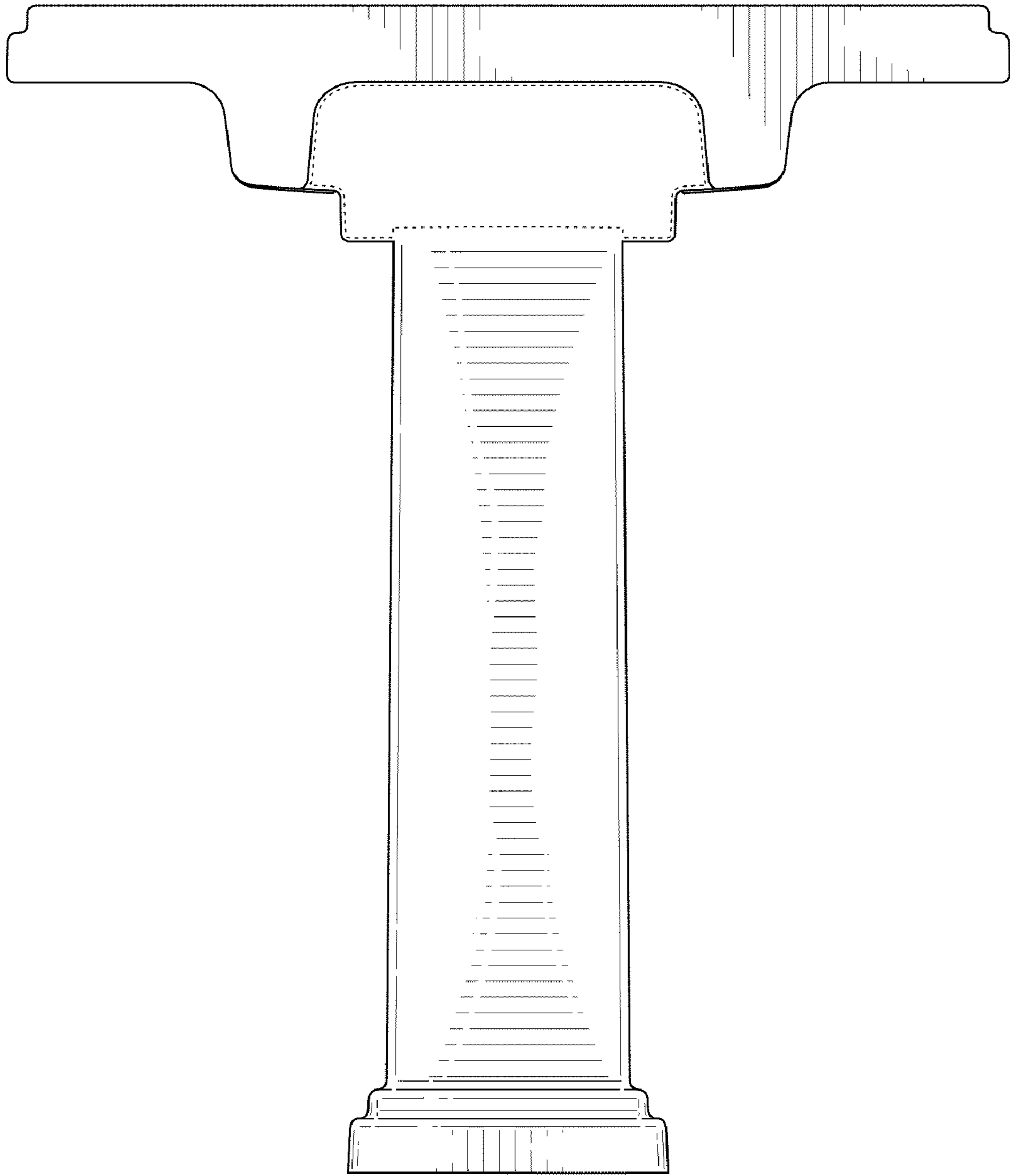




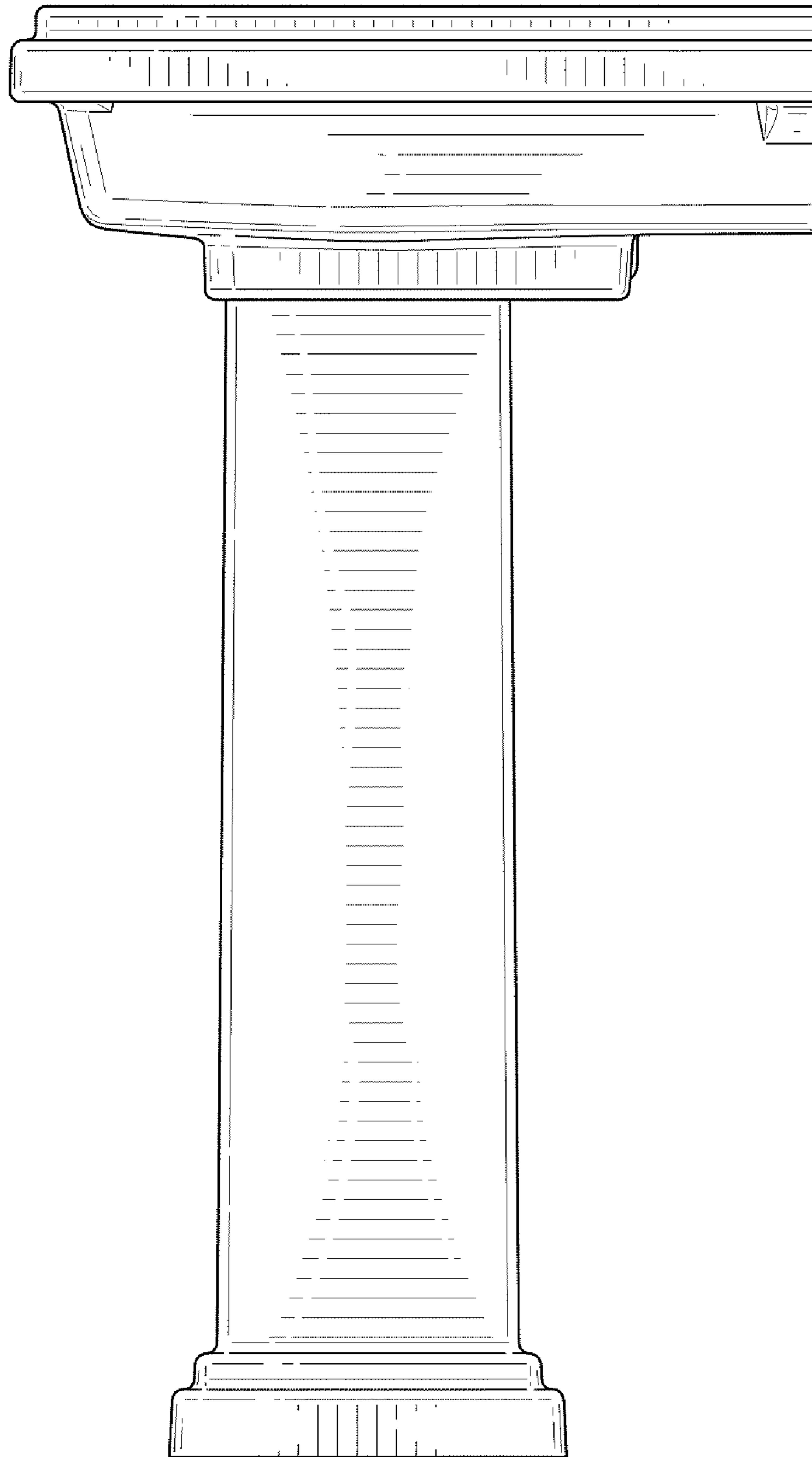
**FIG. 1**



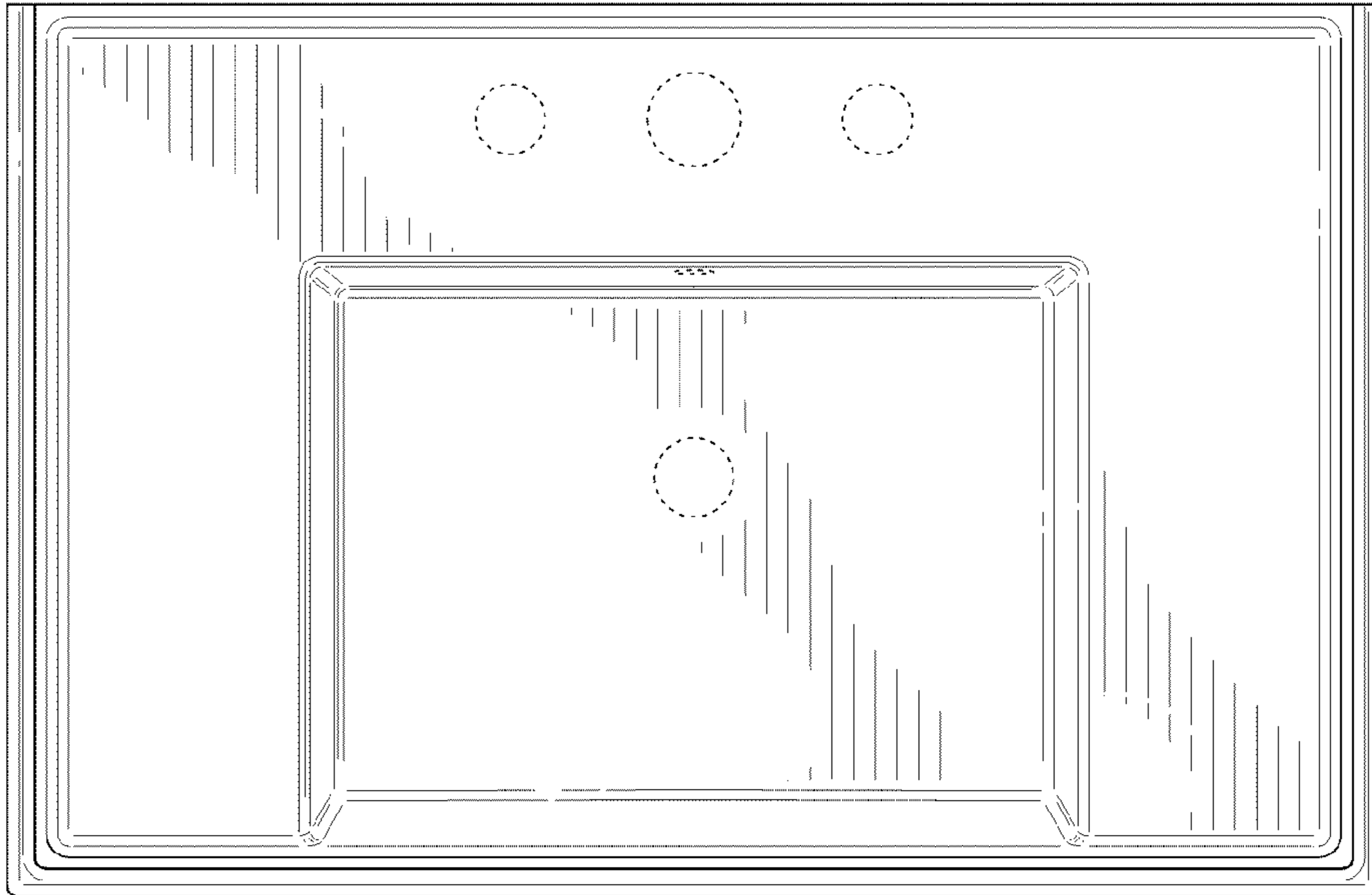
**FIG. 2**



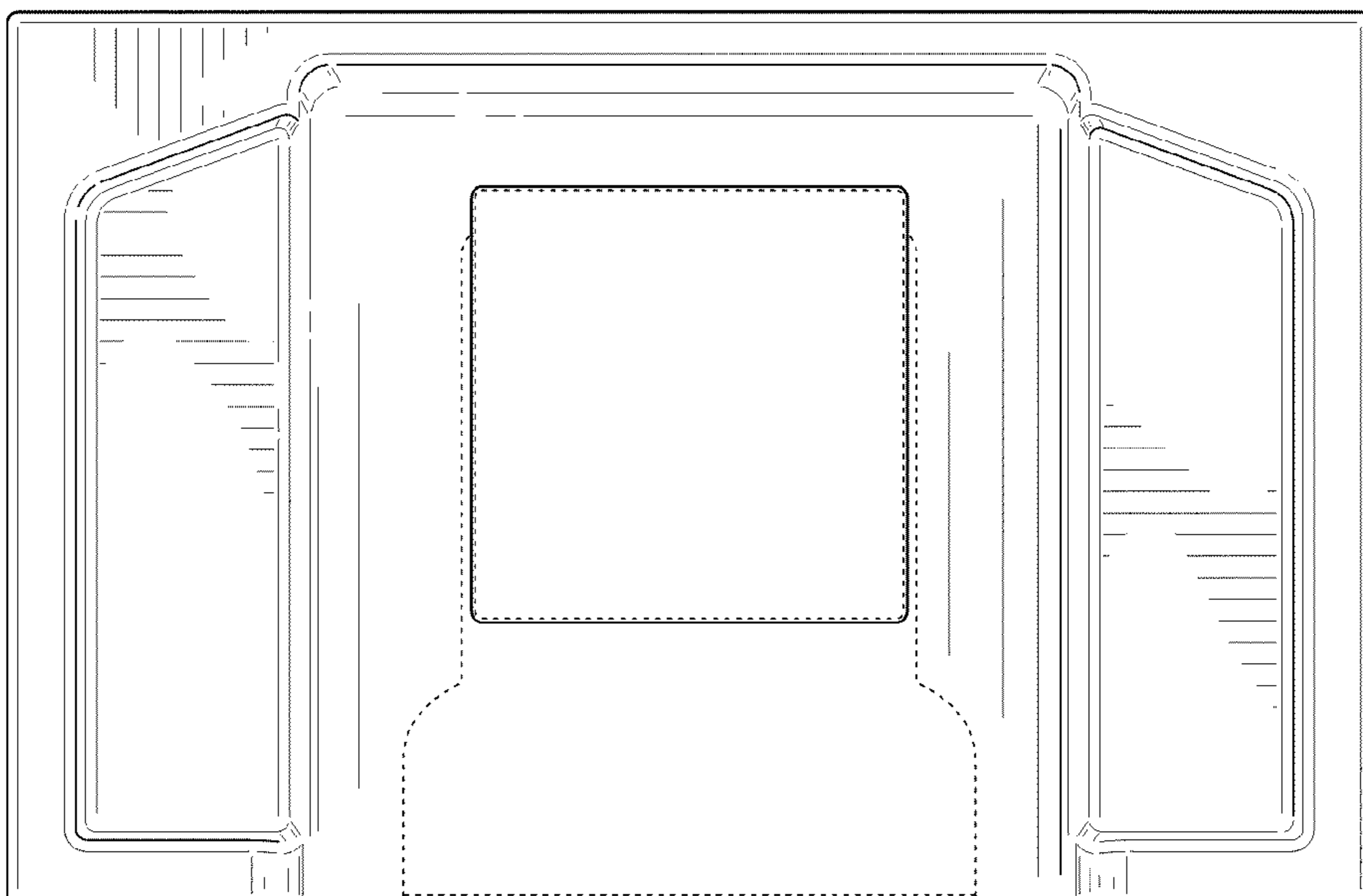
**FIG. 3**



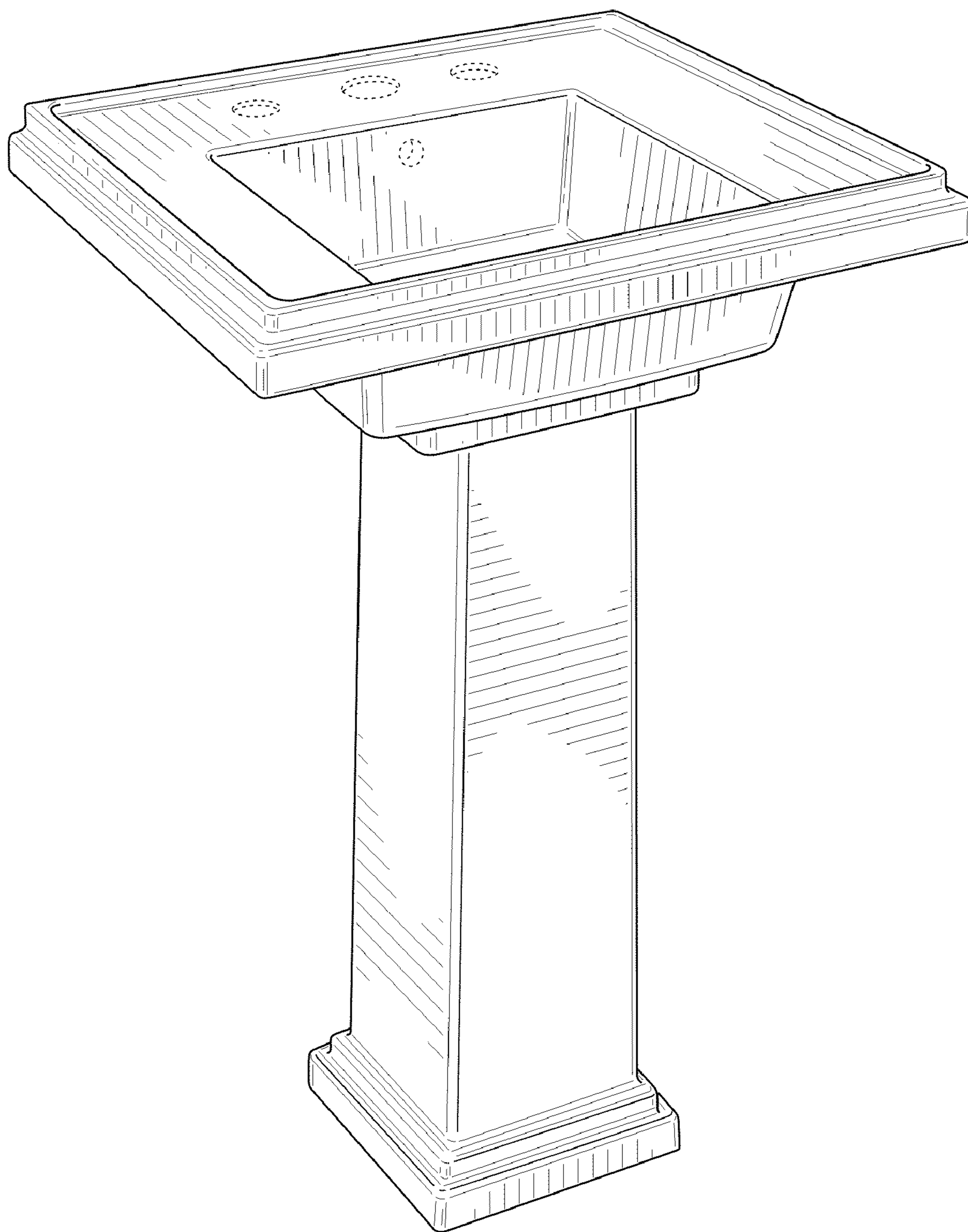
**FIG. 4**



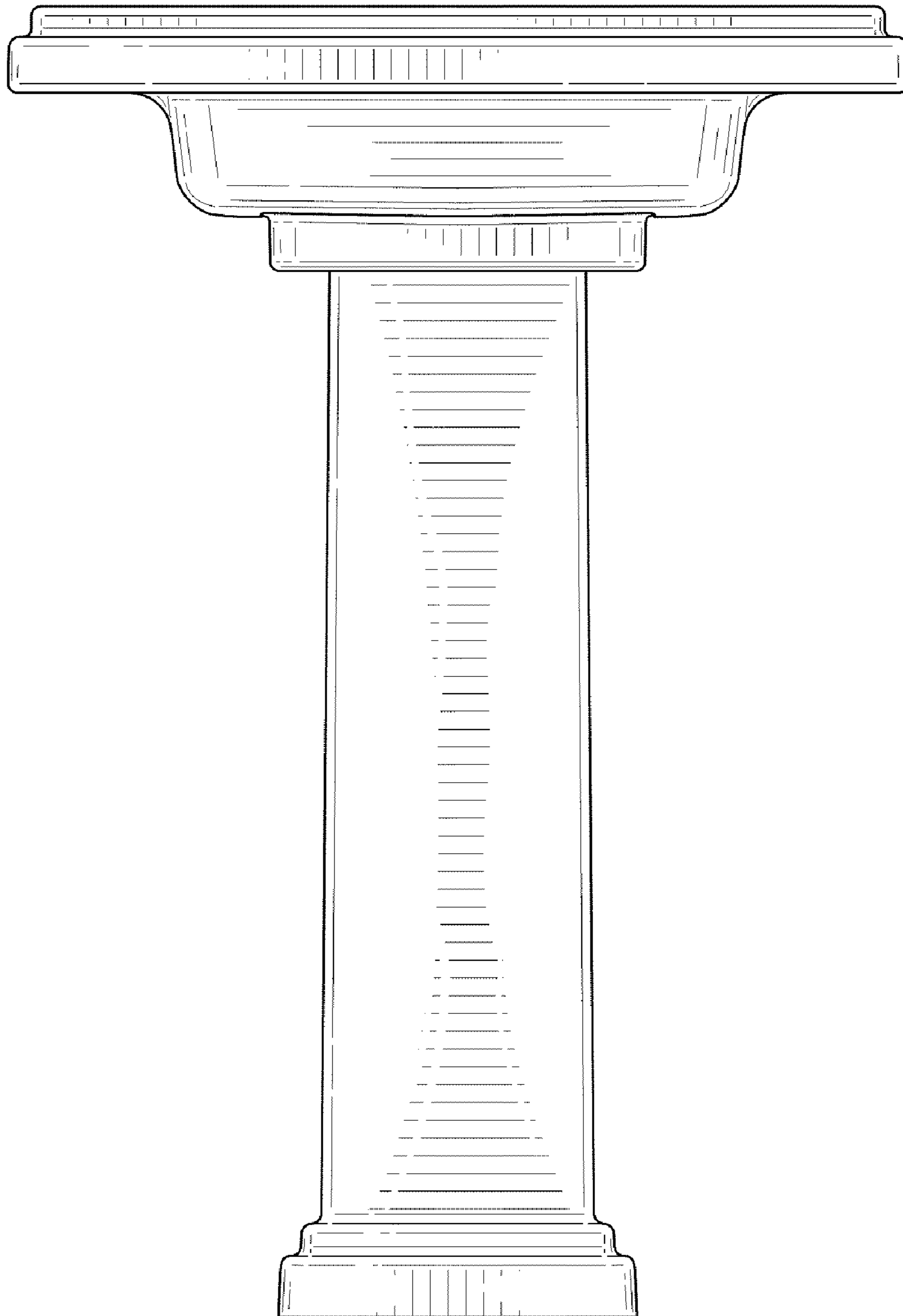
**FIG. 5**



**FIG. 6**

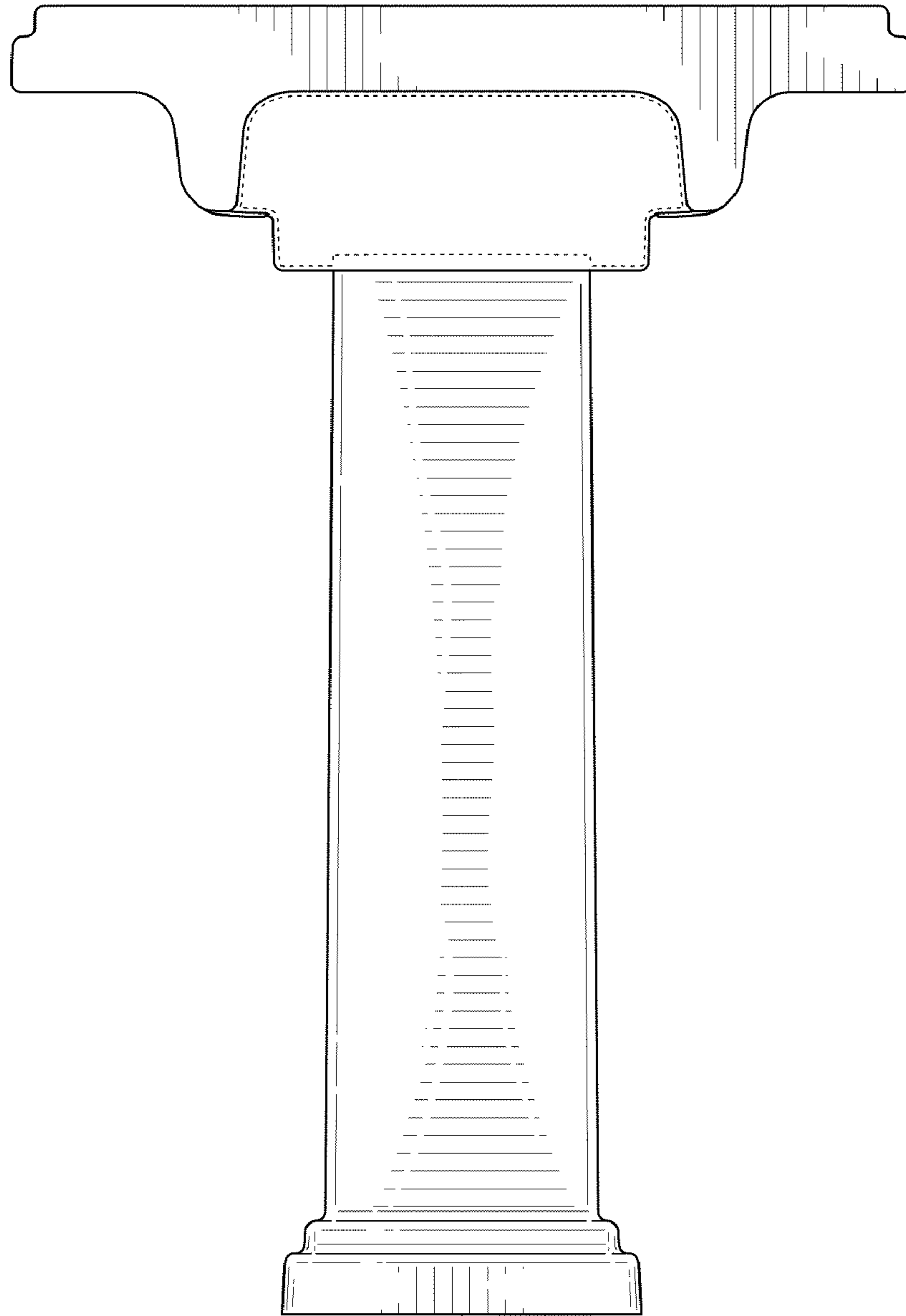


**FIG. 7**

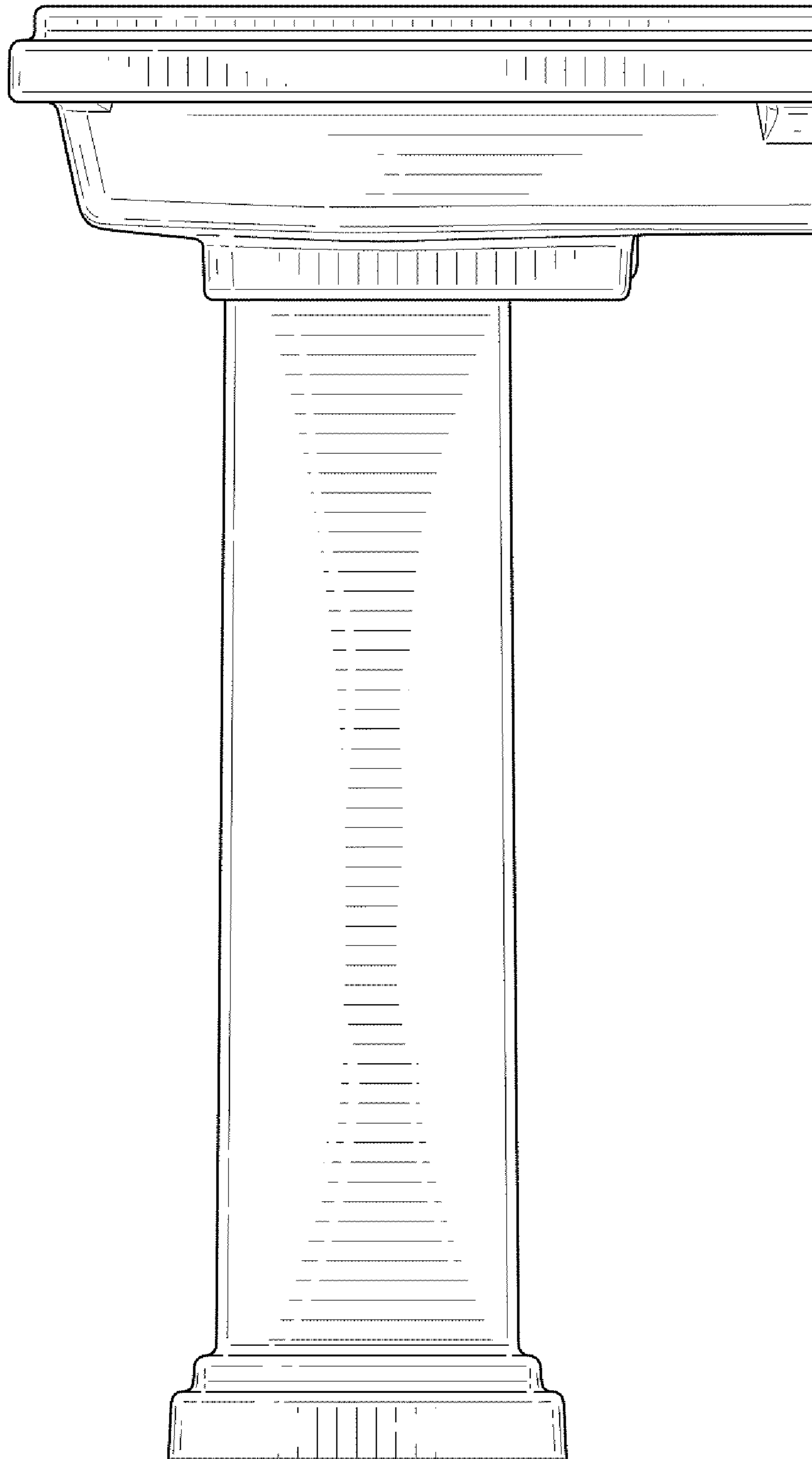


**FIG. 8**

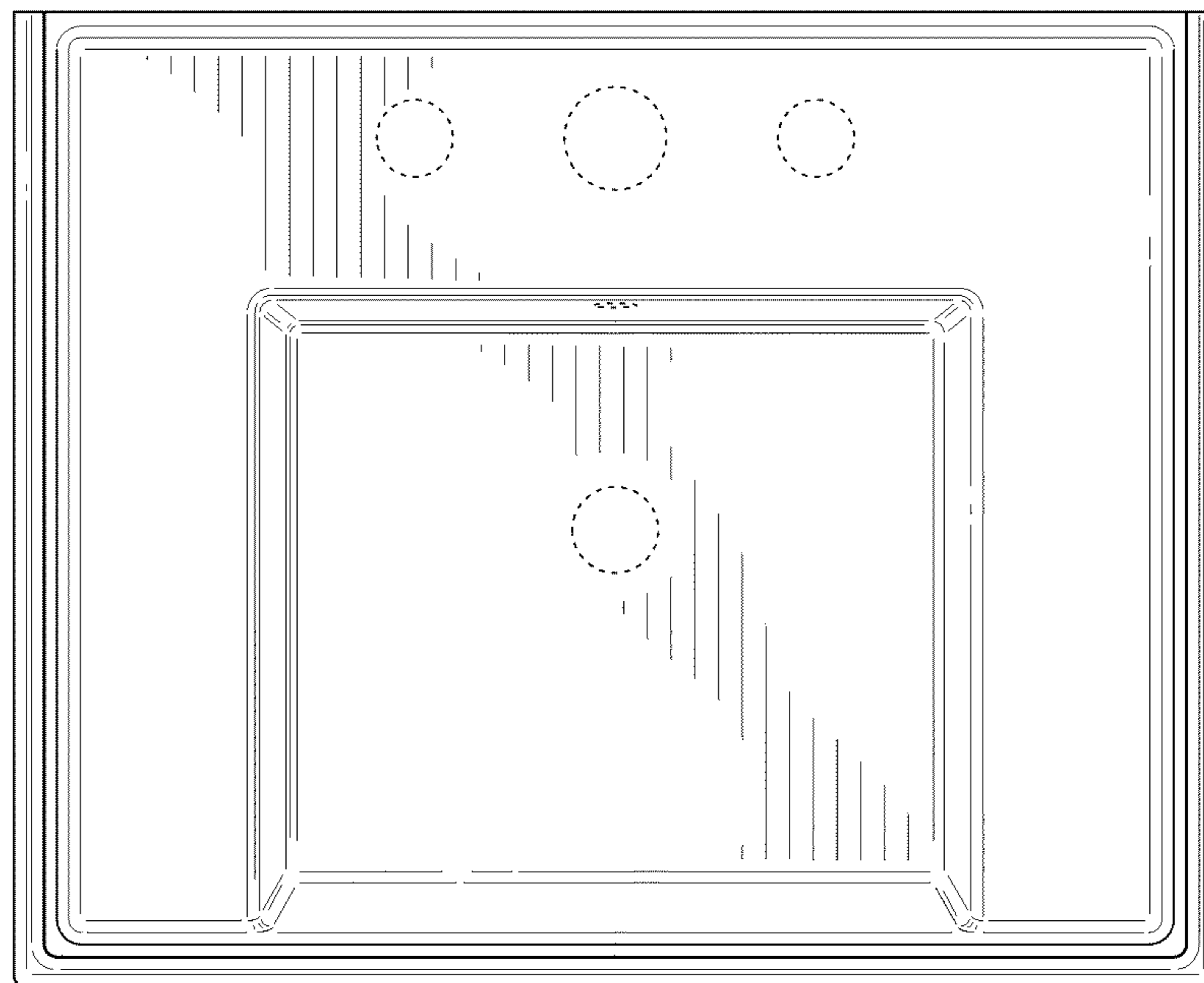




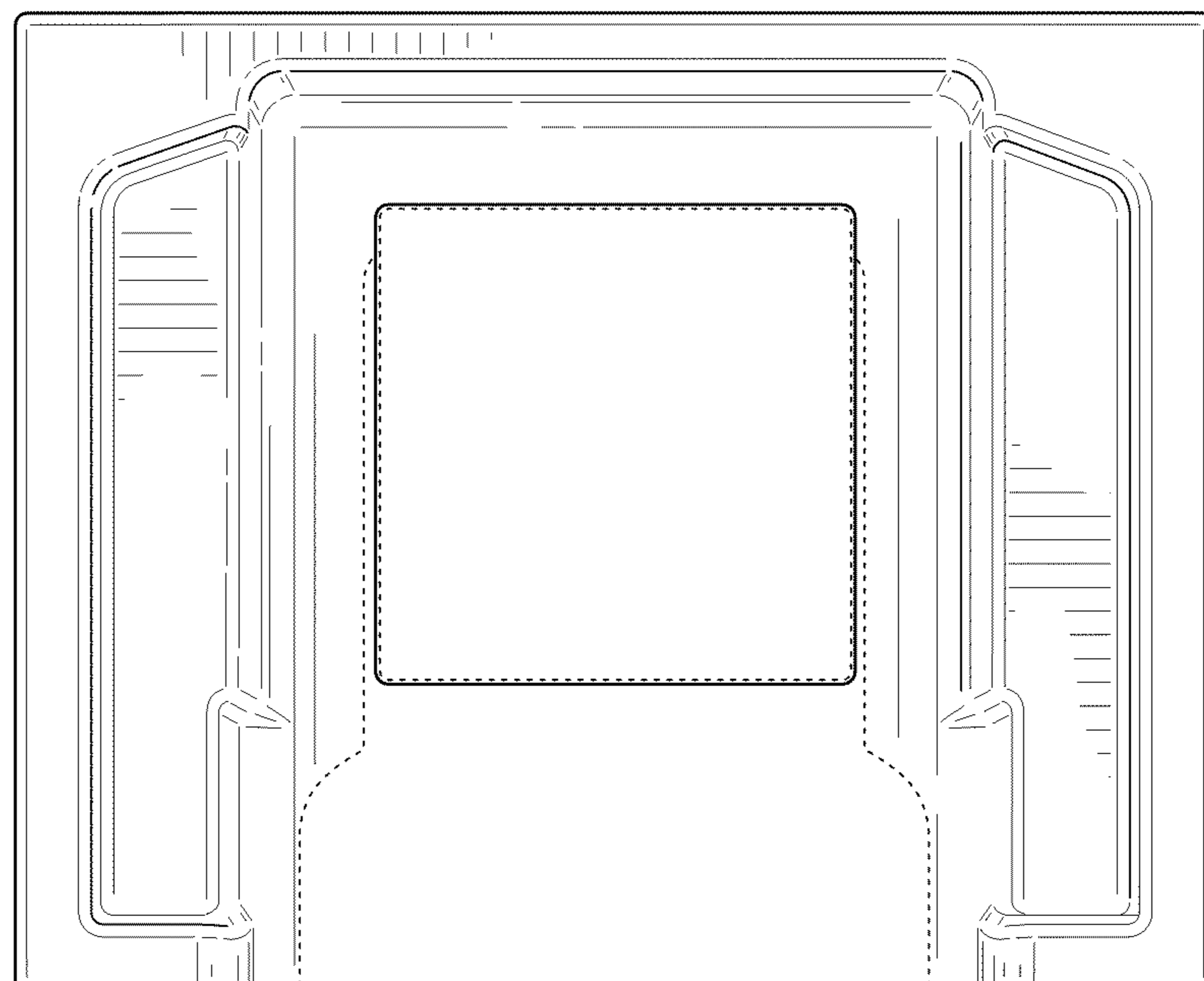
**FIG. 9**



**FIG. 10**



**FIG. 11**



**FIG. 12**