



US00D655793S

(12) **United States Design Patent**
Emr

(10) **Patent No.:** **US D655,793 S**
(45) **Date of Patent:** **** Mar. 13, 2012**

(54) **DEODORANT CANISTER FOR URINAL**

(76) Inventor: **Daniel J Emr**, Perkasio, PA (US)

(**) Term: **14 Years**

(21) Appl. No.: **29/389,538**

(22) Filed: **Apr. 13, 2011**

Related U.S. Application Data

(63) Continuation-in-part of application No. 11/355,227, filed on Feb. 15, 2006.

(51) **LOC (9) Cl.** **23-01**

(52) **U.S. Cl.** **D23/261**

(58) **Field of Classification Search** D23/303,
D23/309, 261; 4/222.1, 286, 292
See application file for complete search history.

(56) **References Cited**

U.S. PATENT DOCUMENTS

3,597,772	A	8/1971	Leavitt et al.	
D332,302	S *	1/1993	Brown	D23/261
5,365,616	A	11/1994	Morad	
D353,445	S *	12/1994	Morad	D23/261
5,452,484	A	9/1995	Hill	
5,604,937	A	2/1997	Davenport	
D428,120	S *	7/2000	Zaldivar	D23/261

6,823,533	B2 *	11/2004	Casari	4/222.1
D517,175	S *	3/2006	Holsen	D23/261
D550,819	S *	9/2007	Seehoff	D23/261
D612,914	S *	3/2010	Morad	D23/261
7,900,289	B2 *	3/2011	Landsberger et al.	4/286

* cited by examiner

Primary Examiner — Robert Delehanty

(74) *Attorney, Agent, or Firm* — Harold I. Masteller, Jr.

(57) **CLAIM**

The ornamental design for a deodorant canister for urinal, as shown and described.

DESCRIPTION

FIG. 1 is an isometric view showing the top, front, and right side of an alternate embodiment of an ornamental design for a deodorant canister with an integral support base shown in phantom lines for the purpose of depicting structure that forms no part of the claimed design;

FIG. 2 is an isometric view showing the top, rear, and left side of the deodorant canister and integral support base of FIG. 1; and,

FIG. 3 is an isometric view showing the bottom, front, and right side of the deodorant canister and integral support base of FIG. 1.

1 Claim, 2 Drawing Sheets

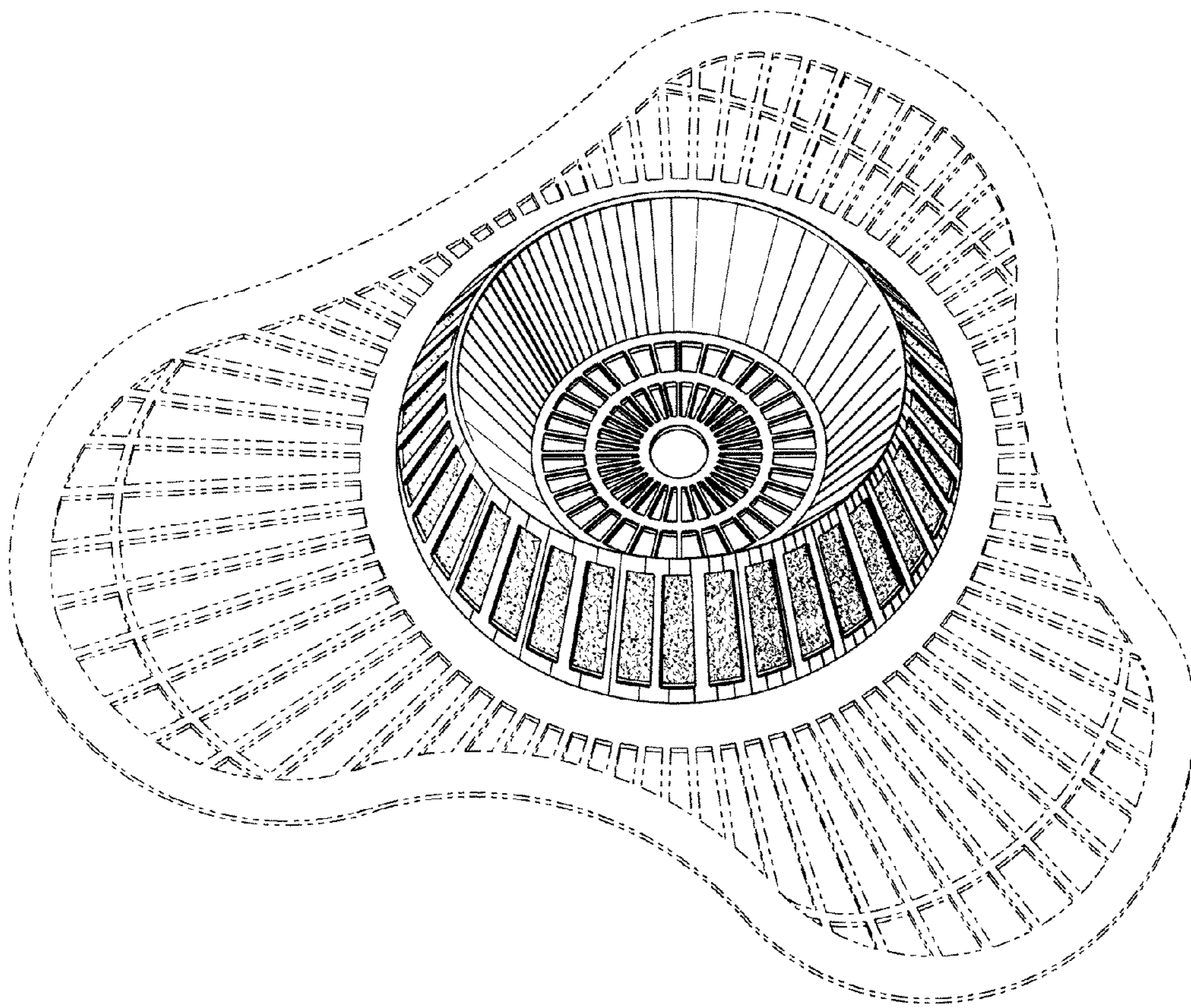


Fig. 1

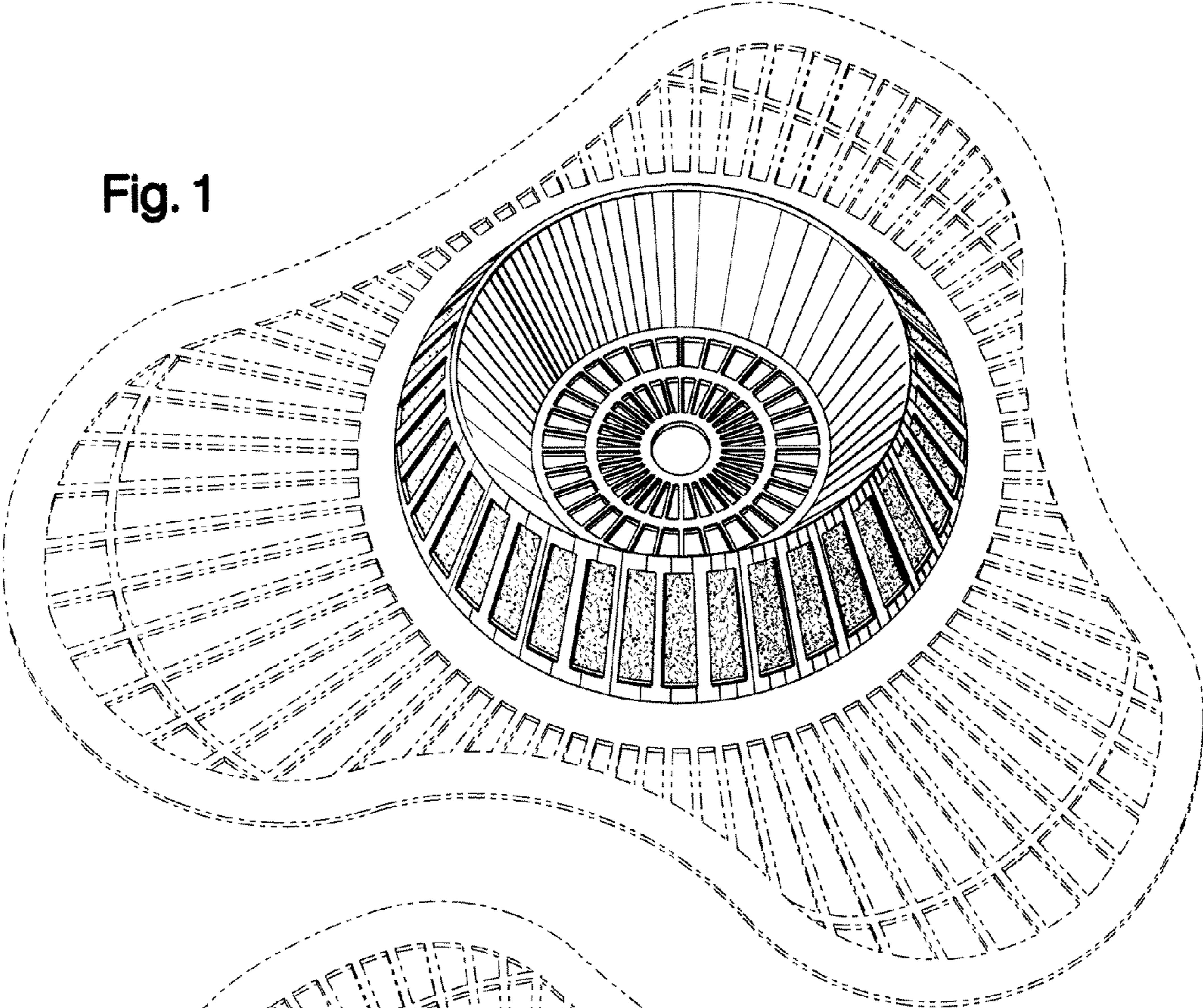
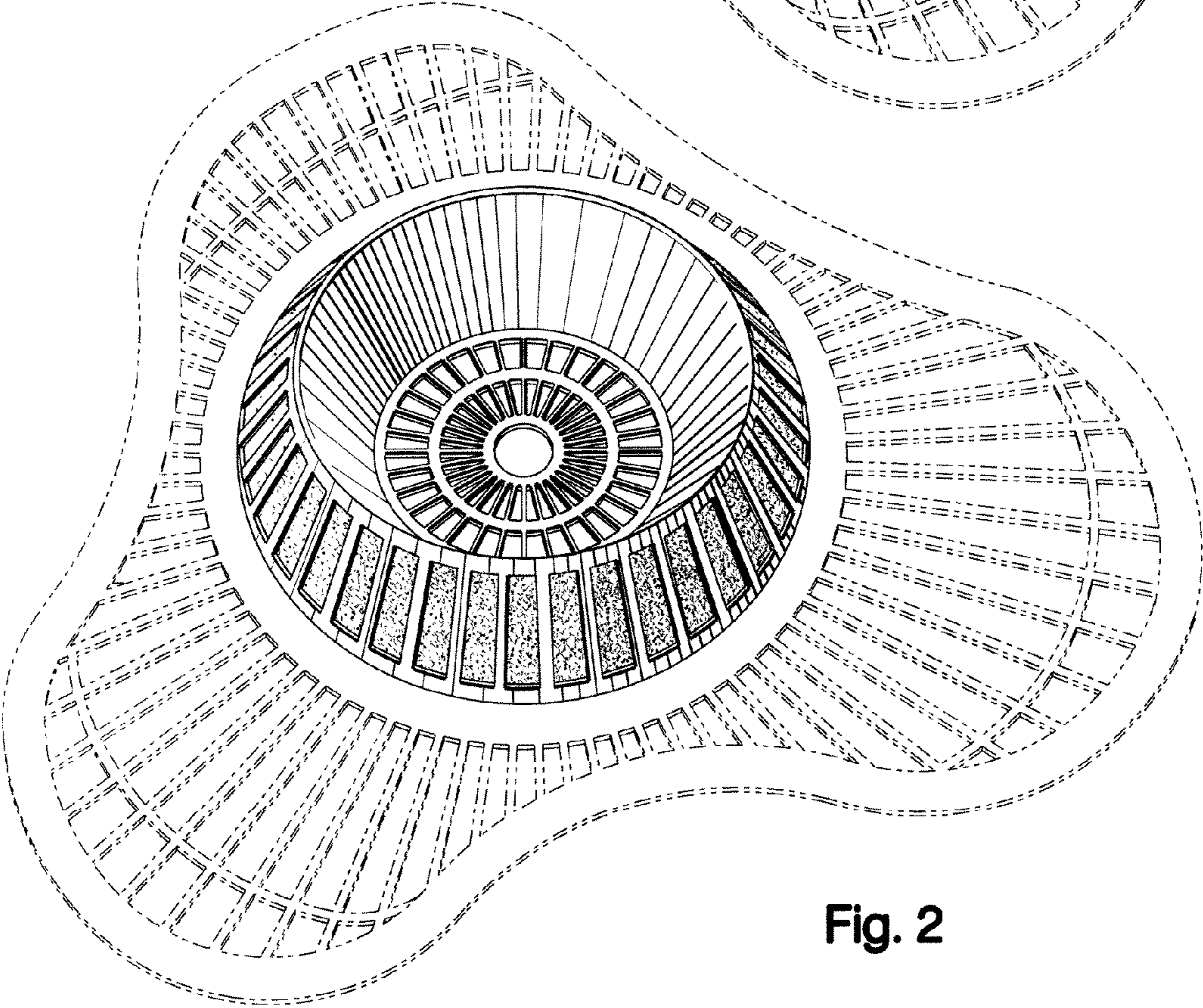


Fig. 2



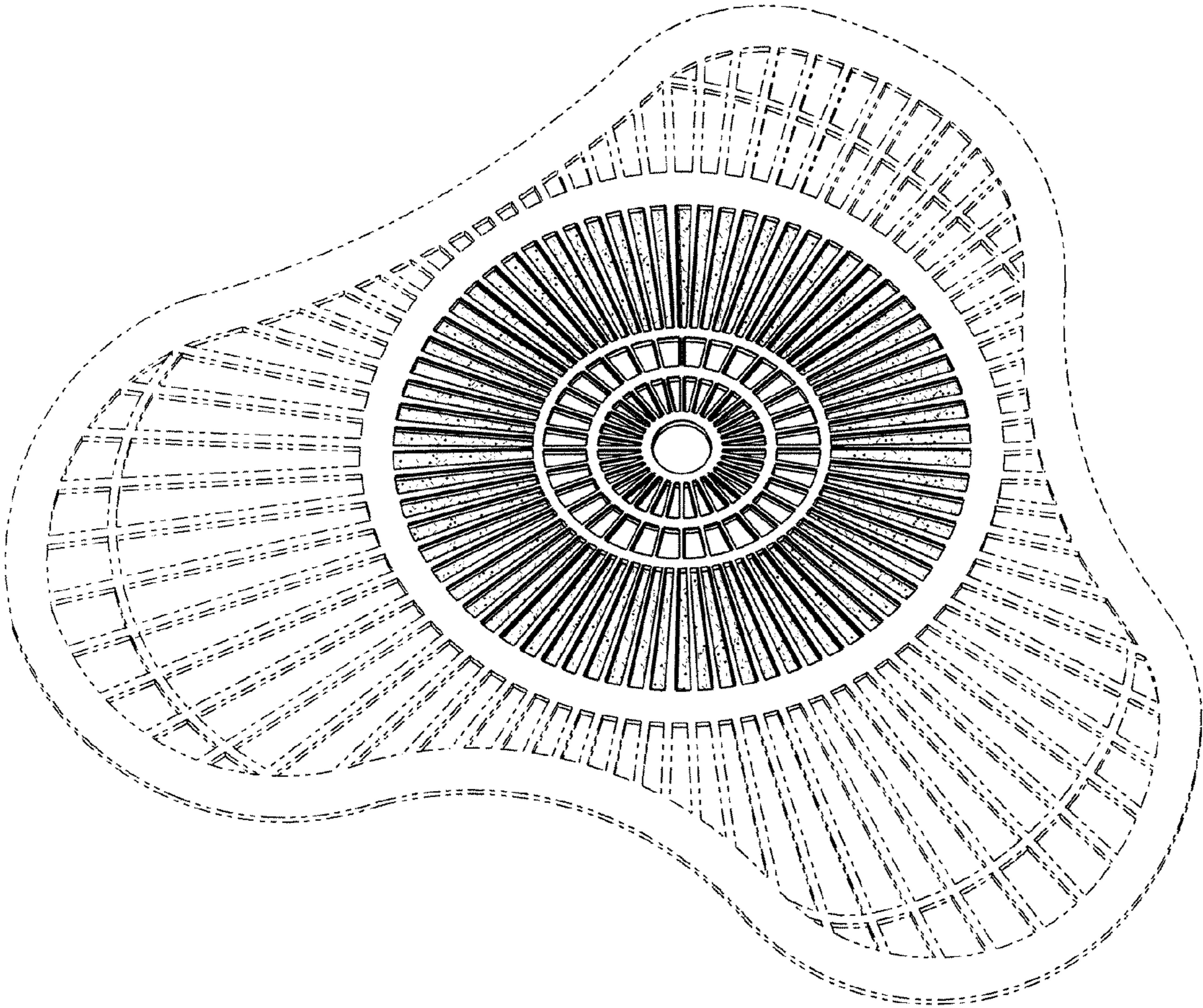


Fig. 3