



US00D655792S

(12) **United States Design Patent**
Teixeira

(10) **Patent No.:** **US D655,792 S**

(45) **Date of Patent:** **** *Mar. 13, 2012**

(54) **NO HUB VENT AND DRAIN CAP**

(76) Inventor: **Hickling Teixeira**, Port St. Lucie, FL
(US)

(*) Notice: This patent is subject to a terminal disclaimer.

(**) Term: **14 Years**

(21) Appl. No.: **29/353,228**

(22) Filed: **Jan. 5, 2010**

(51) **LOC (9) Cl.** **23-01**

(52) **U.S. Cl.** **D23/260**

(58) **Field of Classification Search** D23/259–269;
454/1, 3, 33, 364–368, 250–253; 52/198–199,
52/302.1, 57

See application file for complete search history.

(56) **References Cited**

U.S. PATENT DOCUMENTS

2,825,276	A *	3/1958	Porter	454/367
3,170,325	A *	2/1965	Sinclair	73/306
3,703,194	A	11/1972	Giordano		
3,713,463	A *	1/1973	Bywater, Jr.	138/89
4,976,735	A *	12/1990	Griffith et al.	623/23.65
5,081,914	A *	1/1992	Mejia	454/367
5,427,417	A	6/1995	Lechuga		
5,758,693	A	6/1998	Caine		

5,778,611	A *	7/1998	Michel	52/198
6,244,006	B1 *	6/2001	Shue et al.	52/302.1
6,959,457	B2 *	11/2005	Hernandez	4/218
6,988,642	B2 *	1/2006	Gallo et al.	222/506
2003/0110554	A1 *	6/2003	Hernandez	4/218
2010/0159288	A1 *	6/2010	Kim	429/7
2010/0209766	A1 *	8/2010	Lim	429/174
2011/0059343	A1 *	3/2011	McKinney et al.	429/94

* cited by examiner

Primary Examiner — T. Chase Nelson

Assistant Examiner — Eric Goodman

(57) **CLAIM**

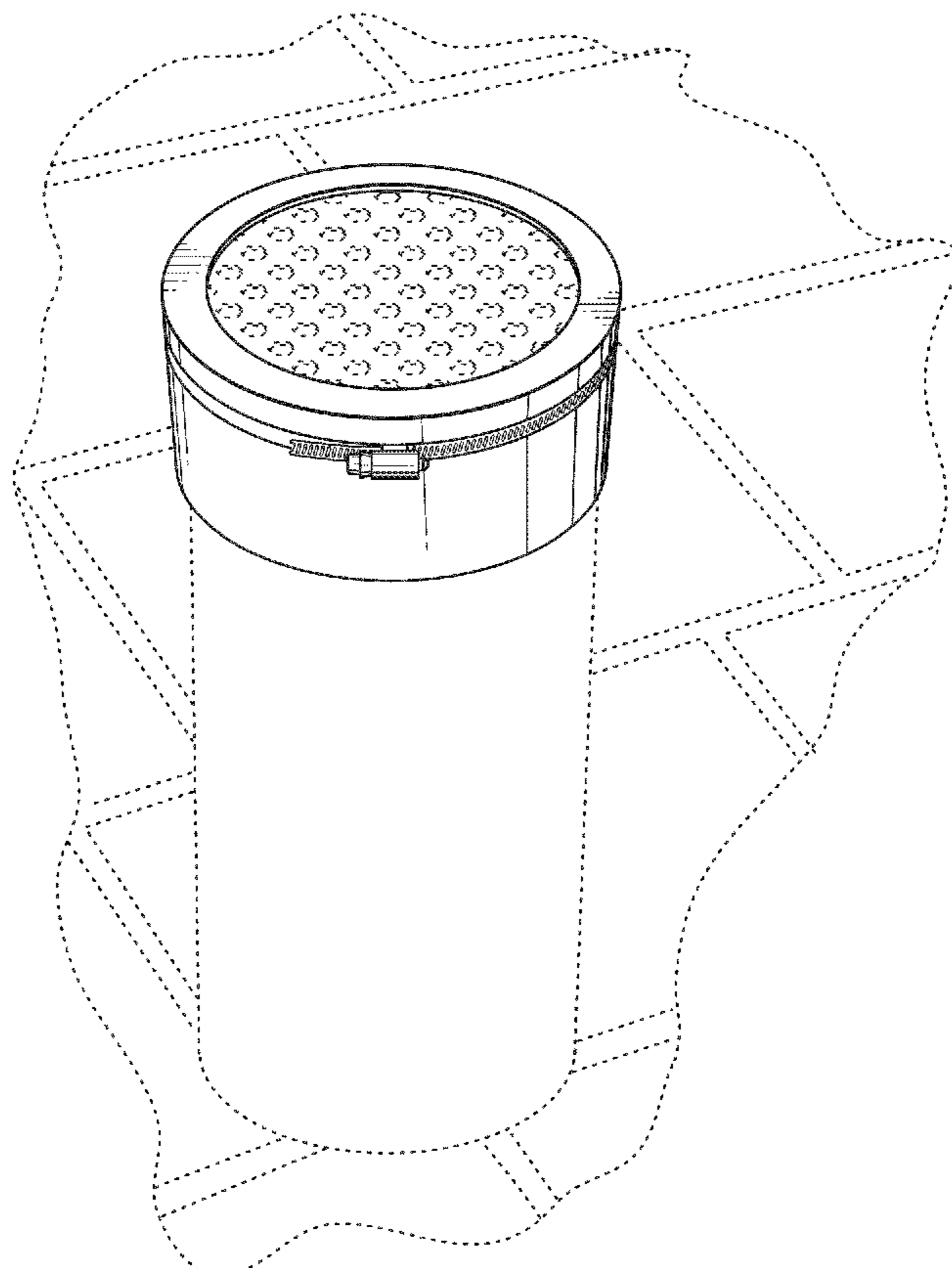
The ornamental design for a no hub vent and drain cap, as shown and described

DESCRIPTION

FIG. 1 is a perspective view of a no hub vent and drain cap showing my new design;
FIG. 2 is a front elevational view thereof;
FIG. 3 is a rear elevational view thereof;
FIG. 4 is a top plan view thereof;
FIG. 5 is a bottom plan view thereof;
FIG. 6 is a left side elevational view thereof; and,
FIG. 7 is a right side elevational view thereof.

The broken lines shown on the figures are for illustrative purposes only and are hereby disclaimed as forming no part of Applicant's claimed invention.

1 Claim, 2 Drawing Sheets



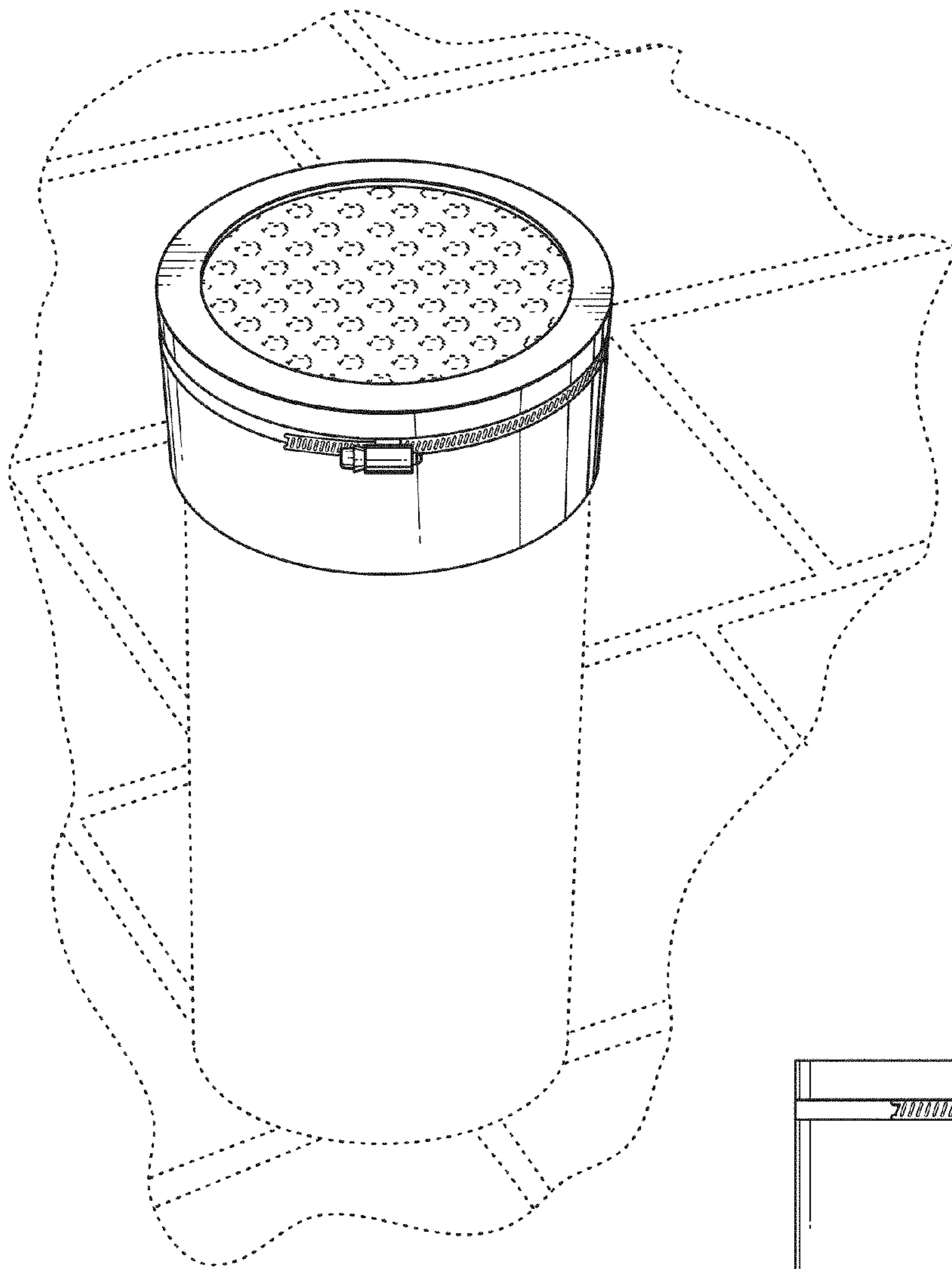


Fig. 1

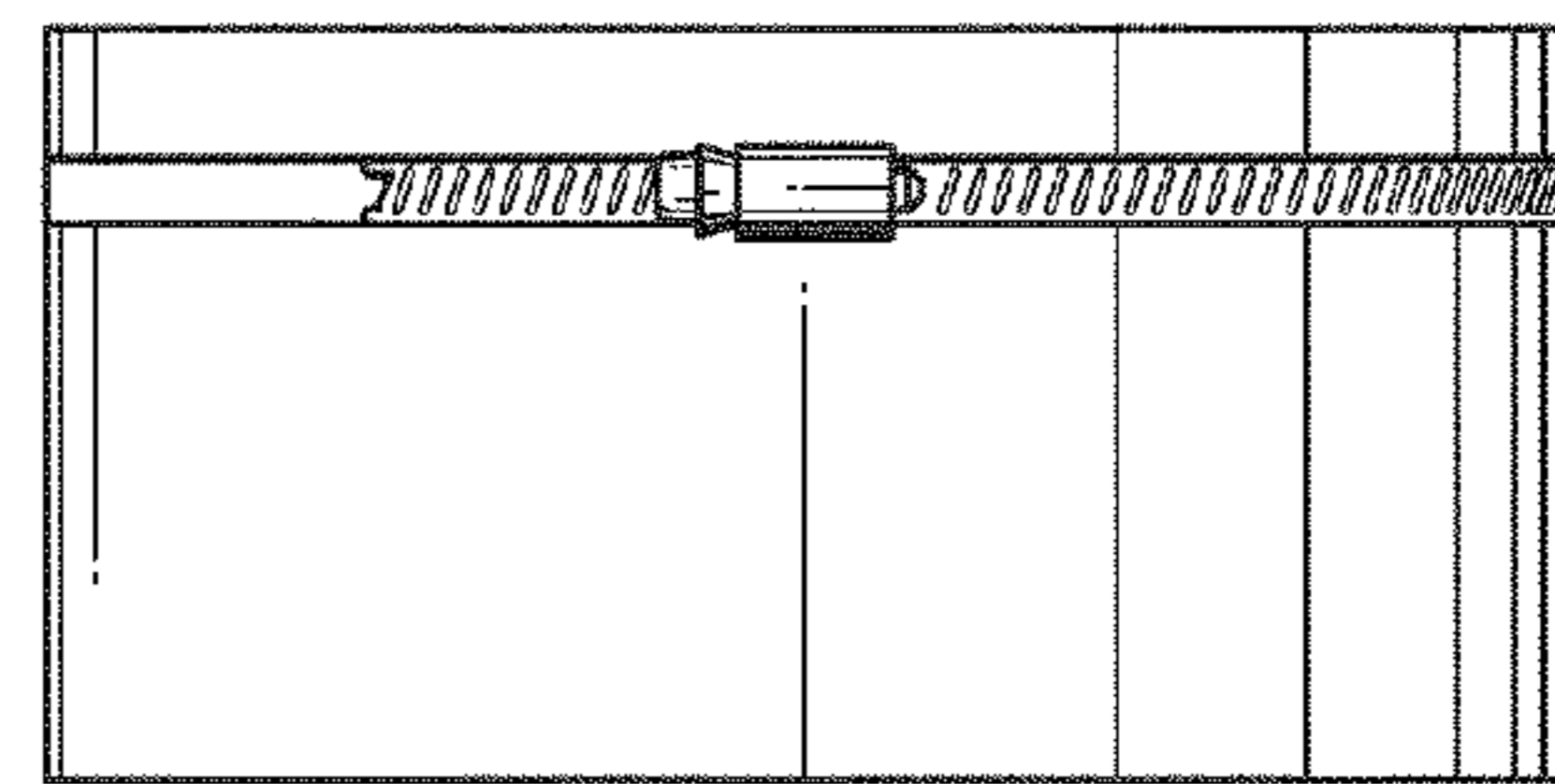
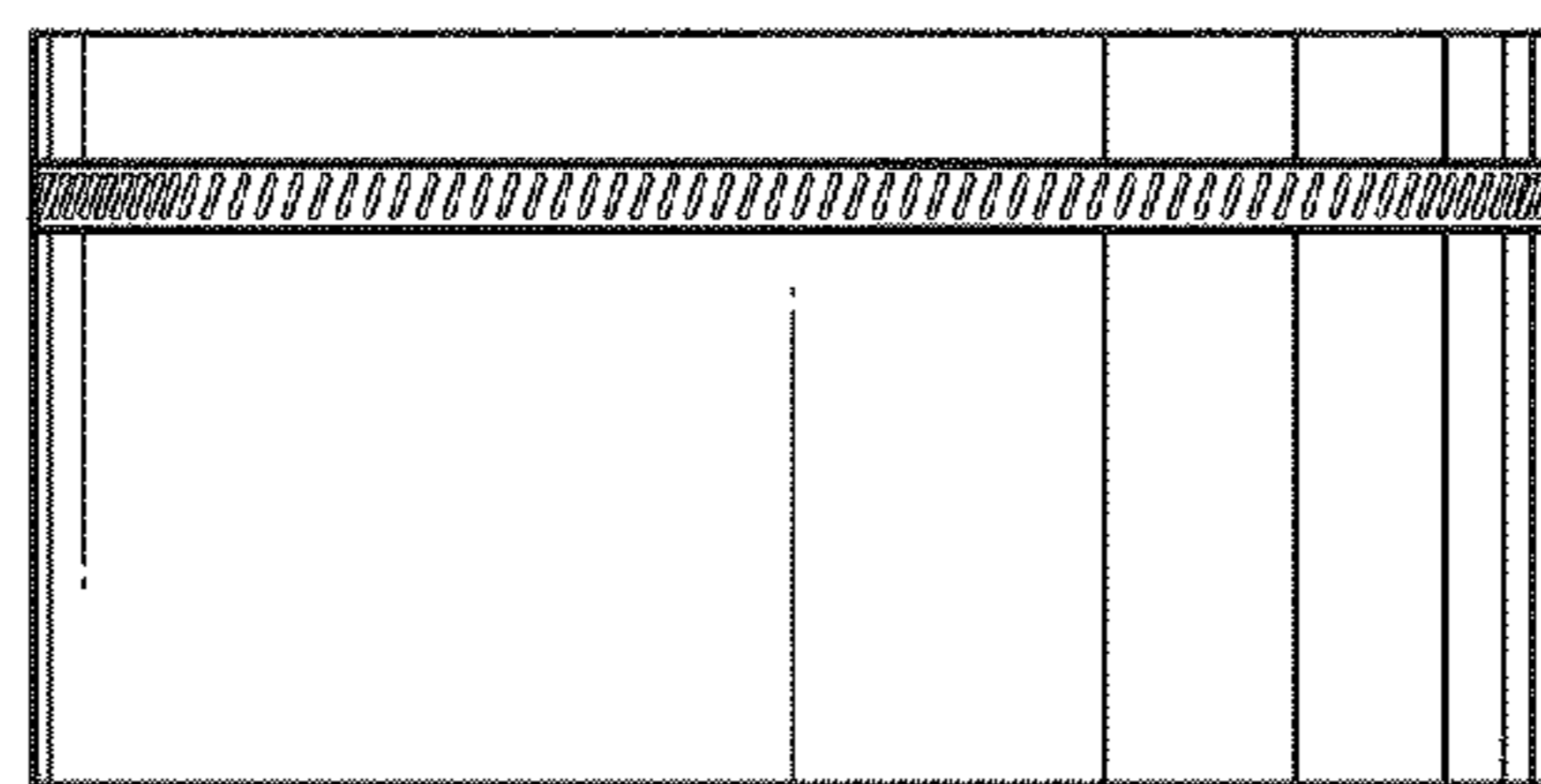


Fig. 2

Fig. 3



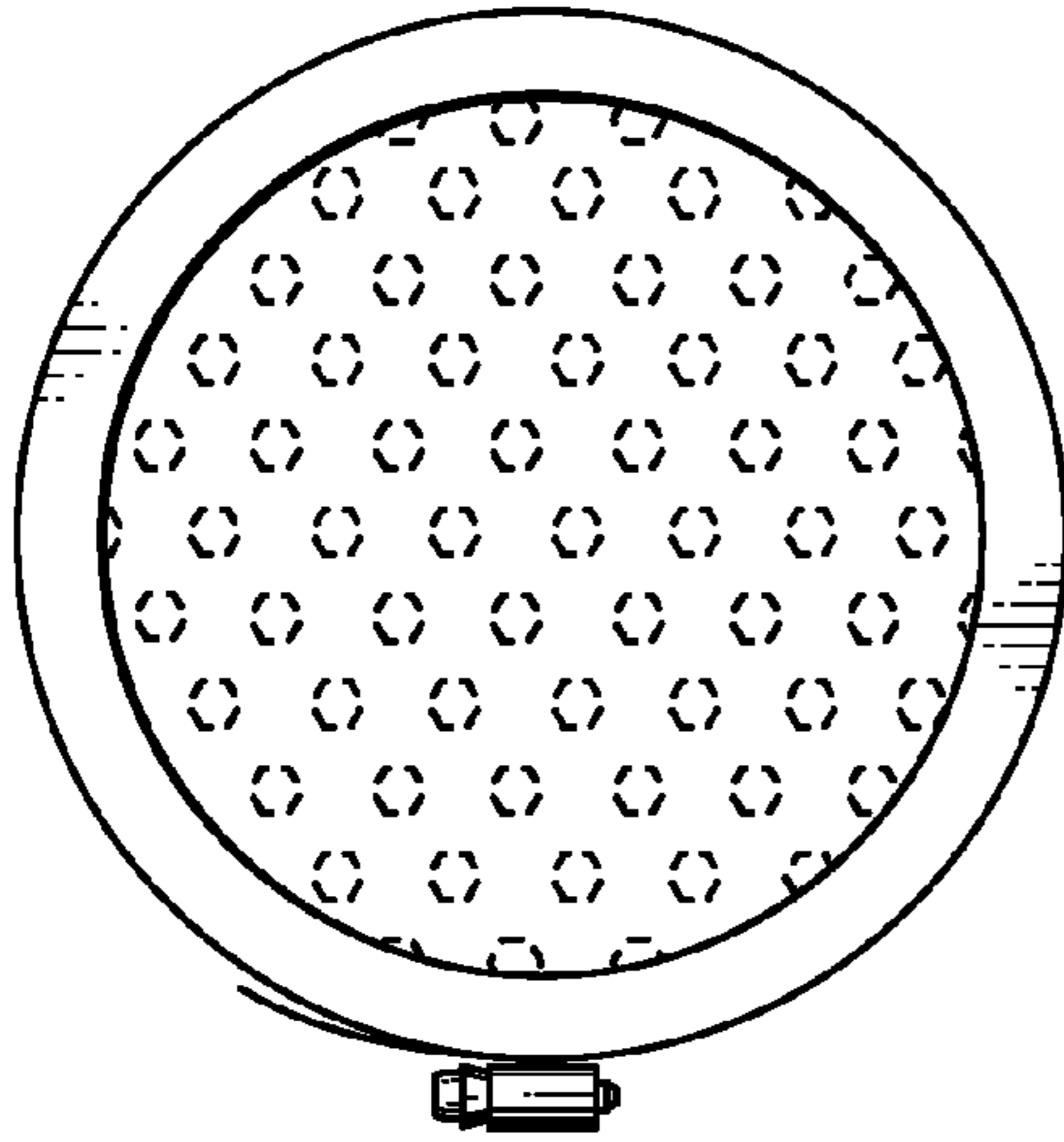


Fig. 4

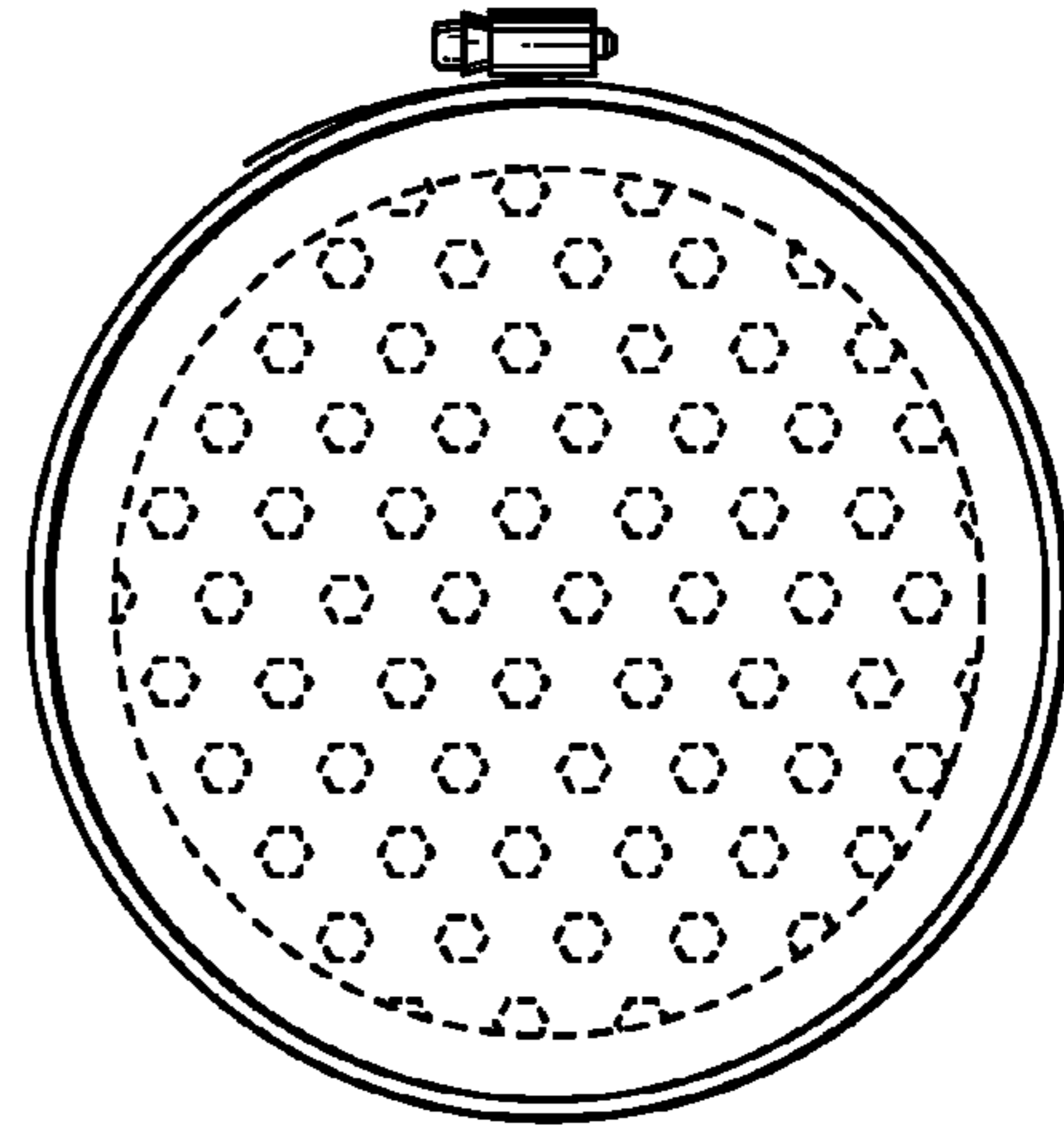


Fig. 5

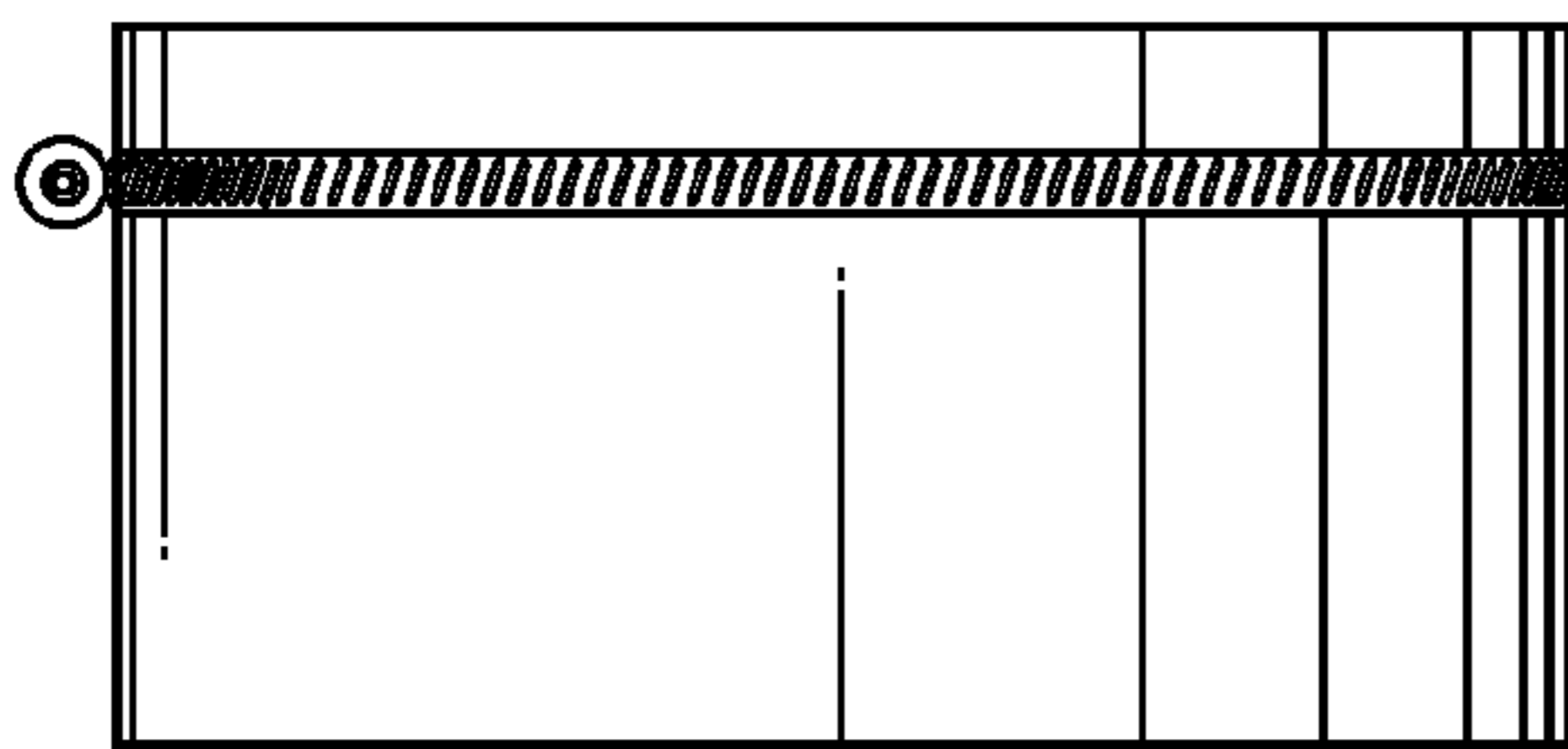


Fig. 6

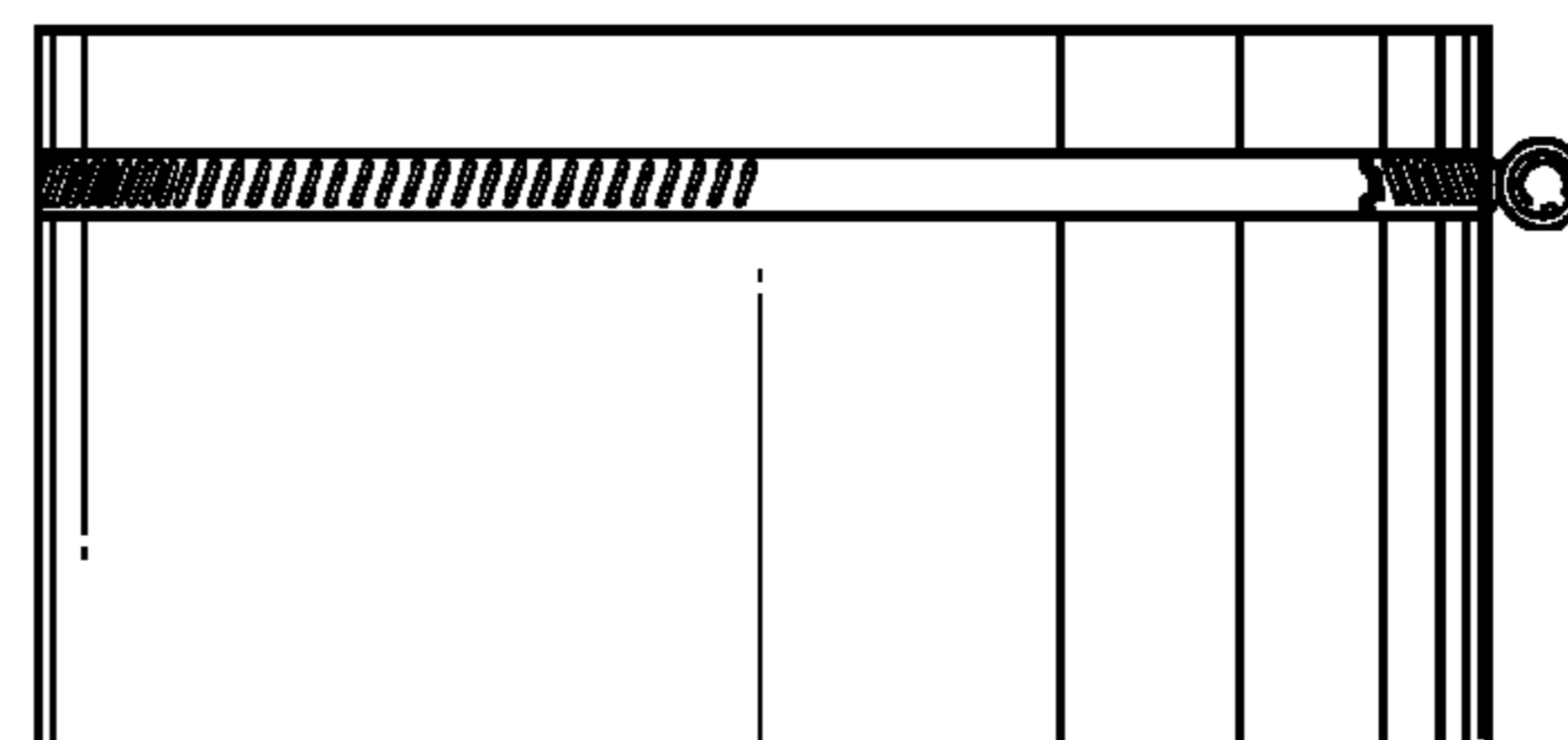


Fig. 7