

US00D655789S

(12) **United States Design Patent**
Kwok

(10) **Patent No.:** **US D655,789 S**

(45) **Date of Patent:** **** Mar. 13, 2012**

(54) **FAUCET**

(75) **Inventor:** **Celine Kwok**, Carmel, IN (US)

(73) **Assignee:** **Masco Corporation of Indiana**,
Indianapolis, IN (US)

(**) **Term:** **14 Years**

(21) **Appl. No.:** **29/389,999**

(22) **Filed:** **Apr. 19, 2011**

(51) **LOC (9) Cl.** **02-01**

(52) **U.S. Cl.** **D23/242**

(58) **Field of Classification Search** D23/255,
D23/257, 238, 241-243, 250, 25; 4/676-678;
137/801

See application file for complete search history.

(56) **References Cited**

U.S. PATENT DOCUMENTS

D520,115 S * 5/2006 Fritz D23/241
D520,601 S * 5/2006 Fritz D23/238
D520,602 S * 5/2006 Koury et al. D23/241

D528,190 S * 9/2006 Fritz et al. D23/241
D578,614 S * 10/2008 Fritz et al. D23/241
D606,170 S * 12/2009 Lammel et al. D23/252

* cited by examiner

Primary Examiner — Robert Delehanty

(74) *Attorney, Agent, or Firm* — Edgar A. Zarins; Nirav D. Parikh; Lora J. Graentzdoerffer

(57) **CLAIM**

The ornamental design for a faucet, as shown and described.

DESCRIPTION

FIG. 1 is a perspective view of a faucet showing my new design;

FIG. 2 is a top plan view thereof;

FIG. 3 is a front elevational view thereof;

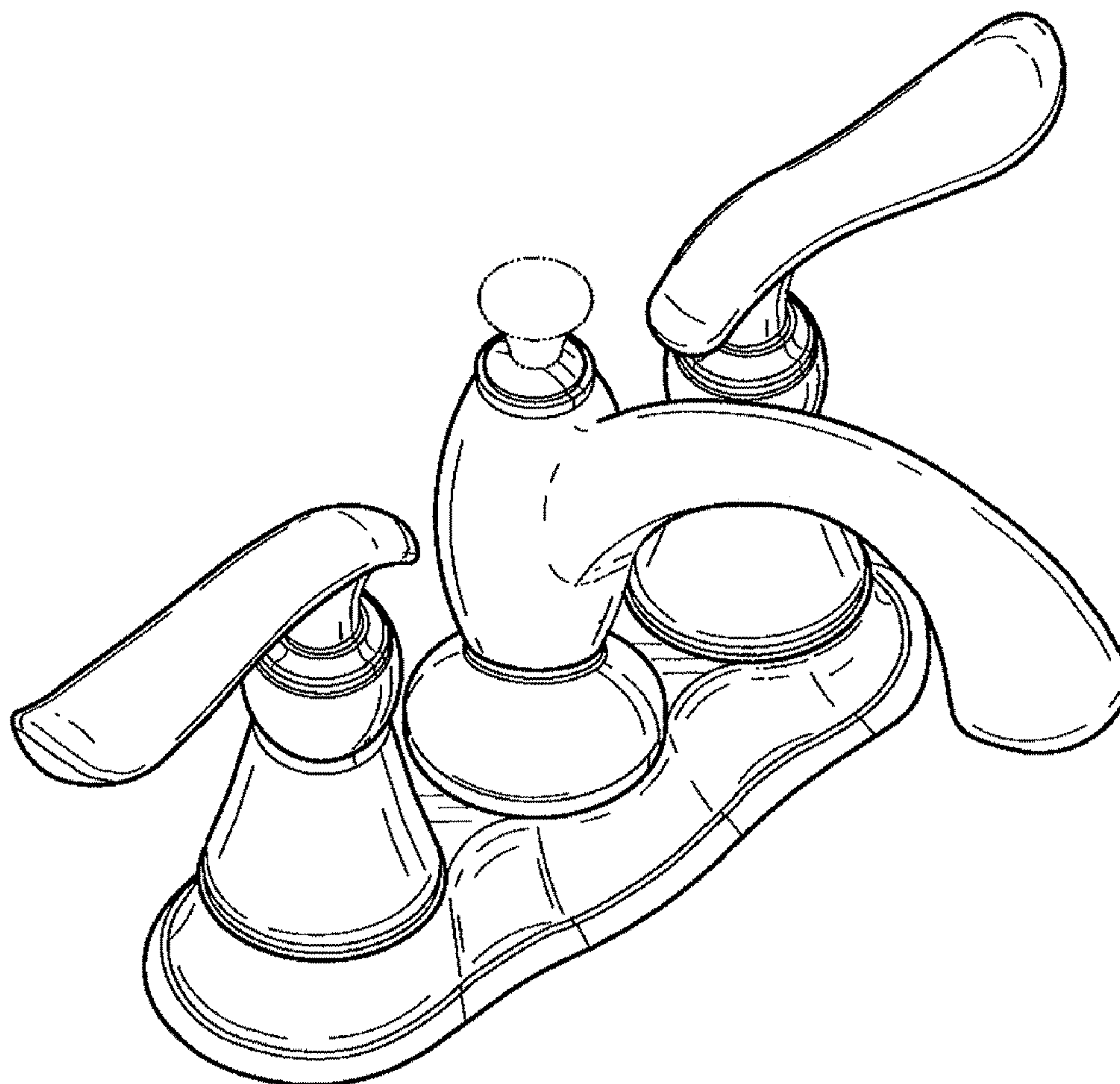
FIG. 4 is a rear view thereof;

FIG. 5 is a bottom view thereof; and,

FIG. 6 is a left side view thereof, the opposite side being a mirror image of the side shown.

The broken line showing environment is included for the purpose of illustrating a portion of the faucet that forms no part of the claimed design.

1 Claim, 3 Drawing Sheets



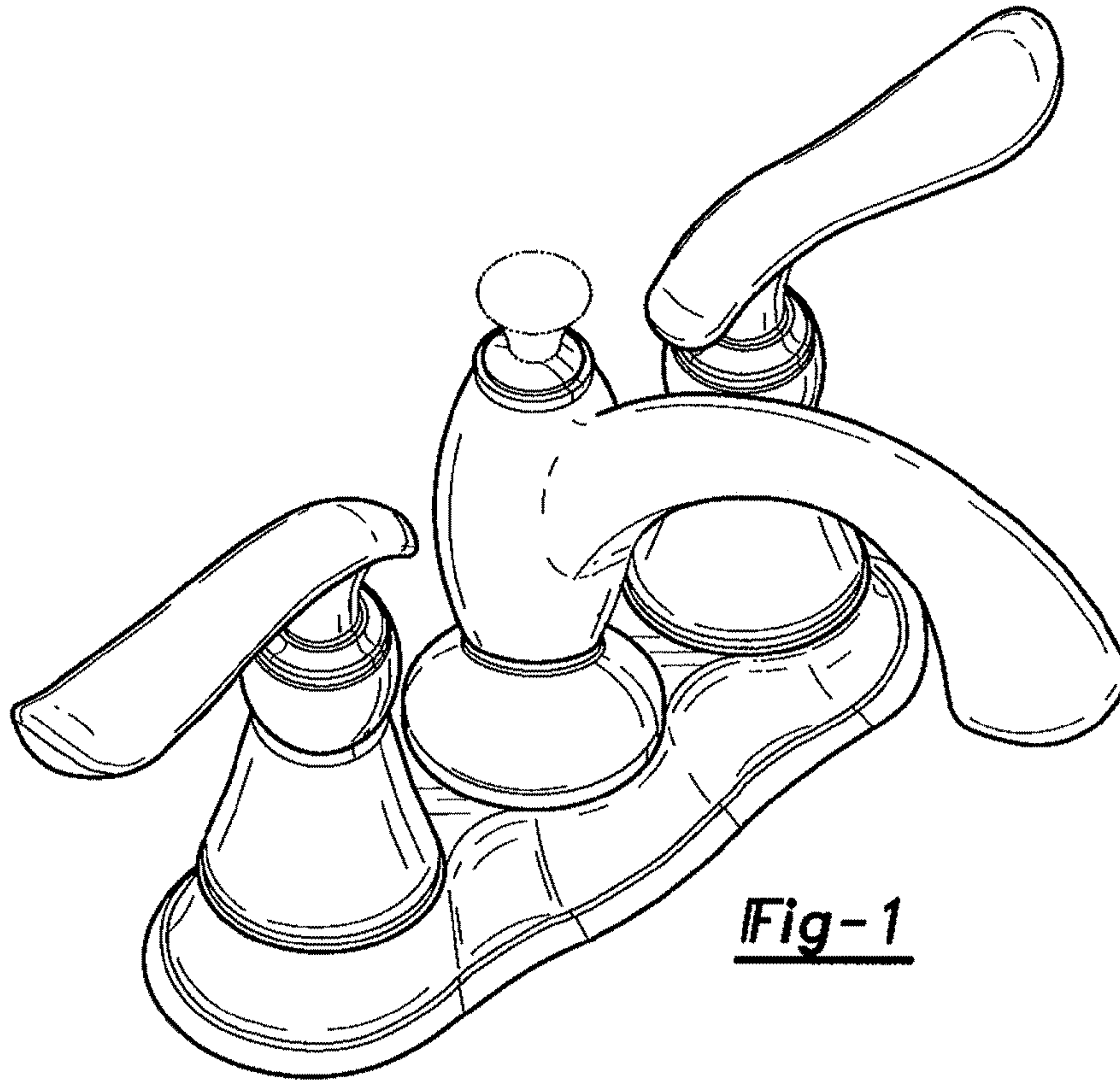


Fig-1

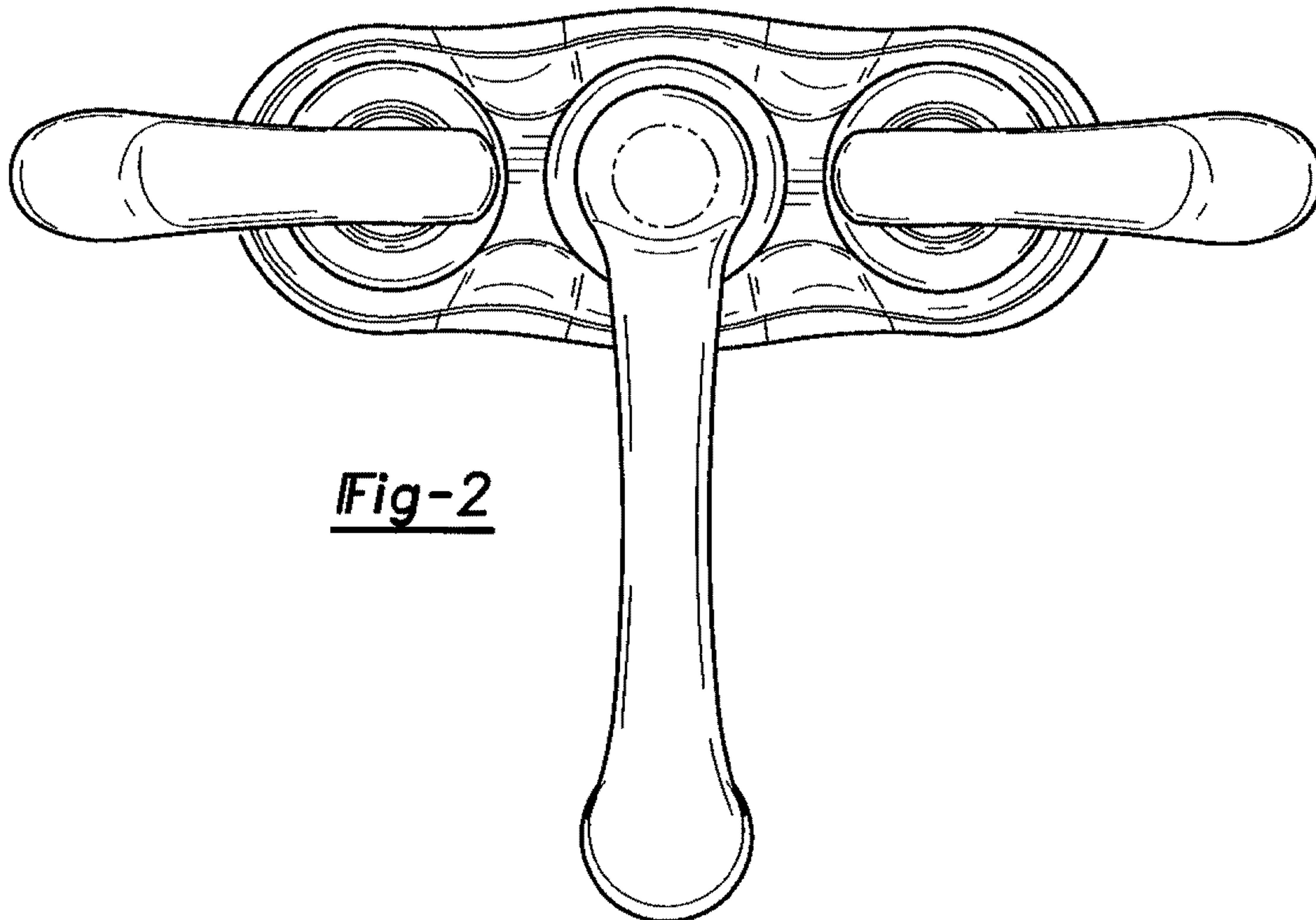


Fig-2

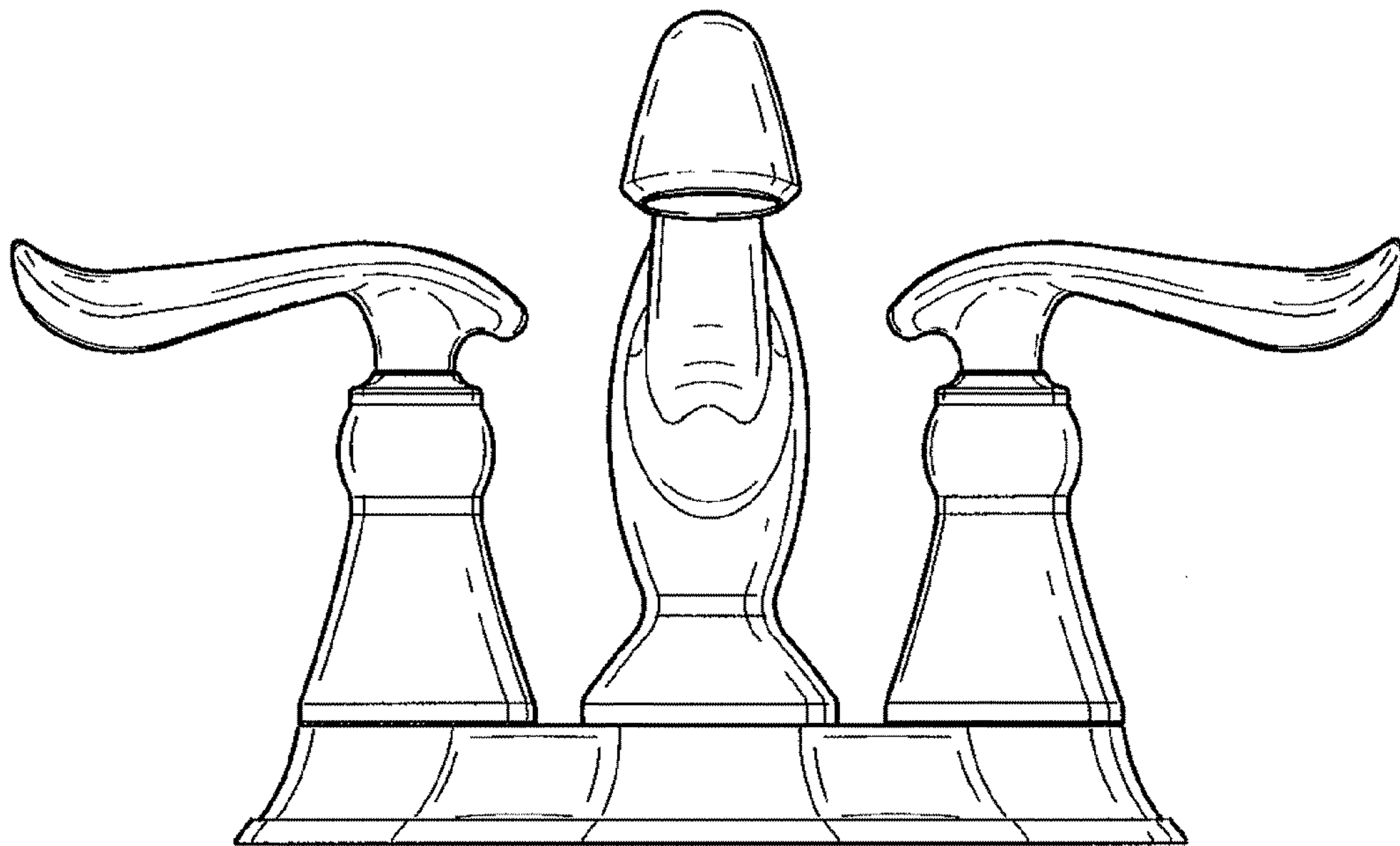


Fig-3

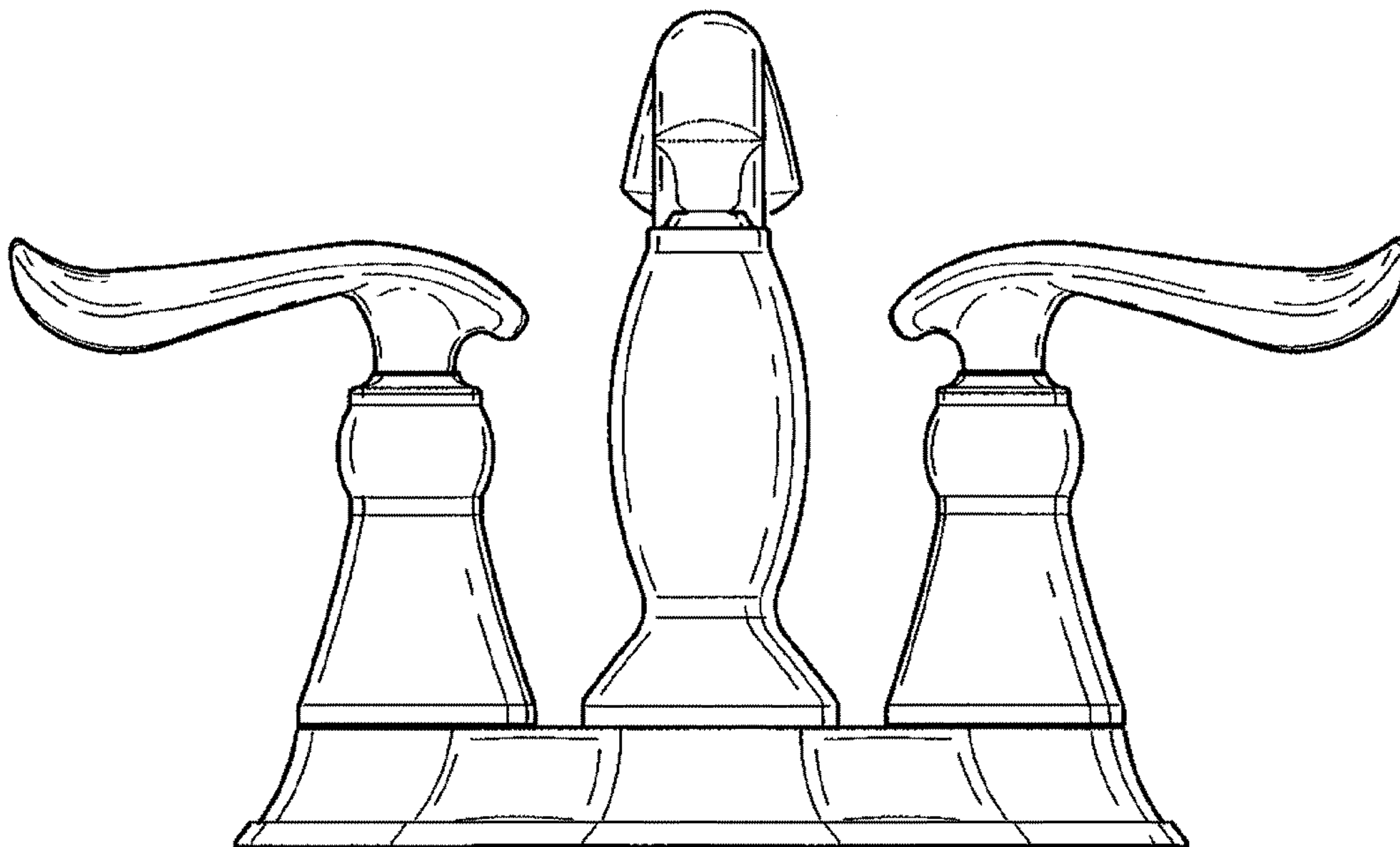


Fig-4

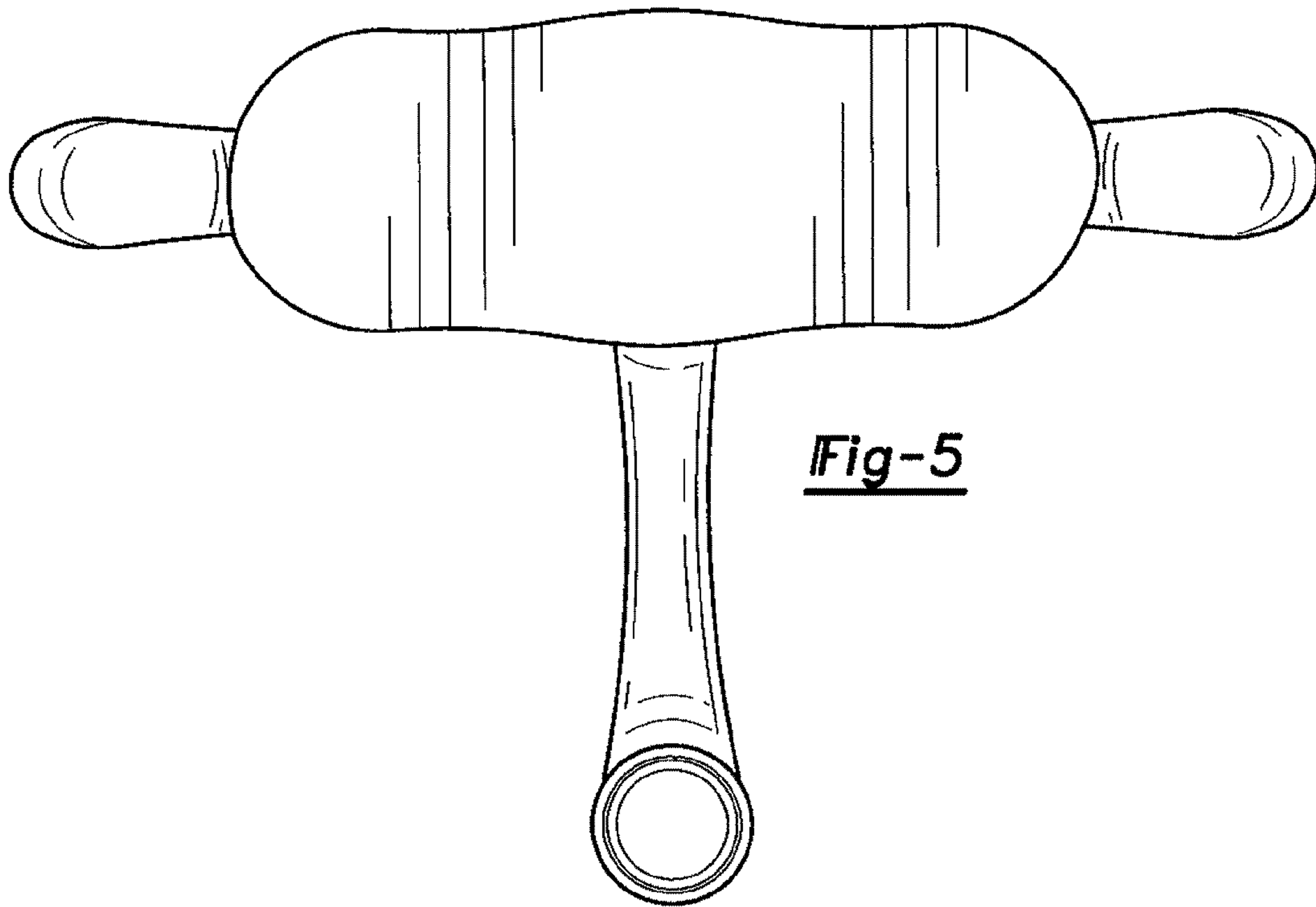


Fig-5

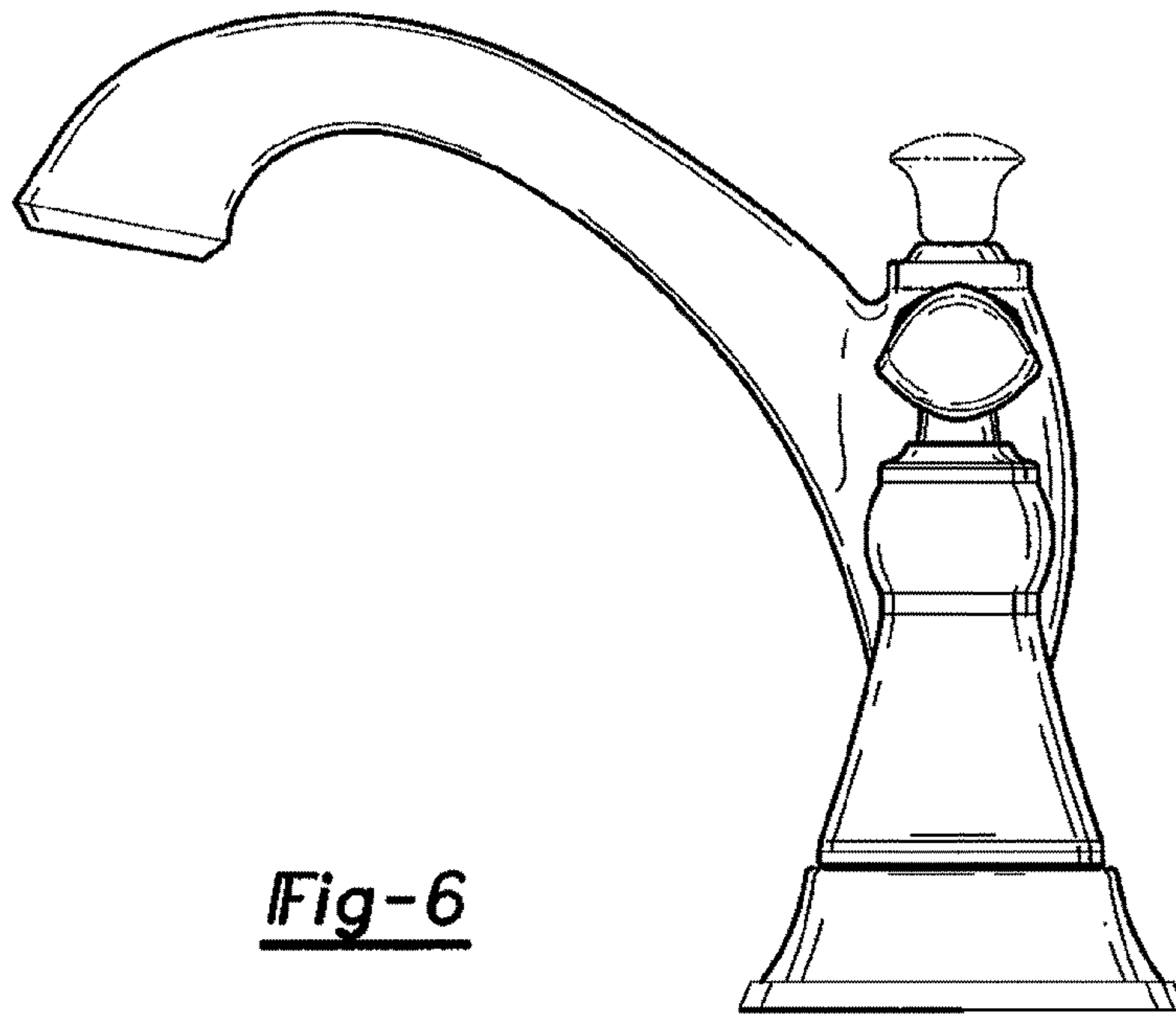


Fig-6