



US00D655786S

(12) **United States Design Patent**  
**Fukasawa**

(10) **Patent No.:** **US D655,786 S**

(45) **Date of Patent:** **\*\* Mar. 13, 2012**

(54) **FAUCET**

(75) **Inventor:** **Naoto Fukasawa**, Tokyo (JP)

(73) **Assignees:** **Fratelli Fantini S.p.A.**, Pella (NO) (IT);  
**Boffi S.p.A.**, Lentate Sul Seveso (MB) (IT)

(\*\*) **Term:** **14 Years**

(21) **Appl. No.:** **29/389,165**

(22) **Filed:** **Apr. 7, 2011**

(51) **LOC (9) Cl.** ..... **23-01**

(52) **U.S. Cl.** ..... **D23/242**

(58) **Field of Classification Search** ..... D23/238,  
D23/241, 242, 250, 252, 254, 255, 257; 4/676-678;  
137/801

See application file for complete search history.

(56) **References Cited**

**U.S. PATENT DOCUMENTS**

D312,495 S \* 11/1990 Joerger ..... D23/242  
D364,215 S \* 11/1995 Starck ..... D23/242  
D492,392 S \* 6/2004 Pohl et al. .... D23/242

D597,632 S \* 8/2009 Obara et al. .... D23/250  
D615,628 S \* 5/2010 Allard ..... D23/255  
D622,361 S \* 8/2010 Lammel et al. .... D23/255

\* cited by examiner

*Primary Examiner* — Robert Delehanty

(74) *Attorney, Agent, or Firm* — Nixon & Vanderhye PC

(57) **CLAIM**

The ornamental design for a faucet, as shown and described.

**DESCRIPTION**

FIG. 1 is a perspective view of the faucet showing my new design;

FIG. 2 is a front elevational view thereof;

FIG. 3 is a rear elevational view thereof;

FIG. 4 is a plan view of the top thereof;

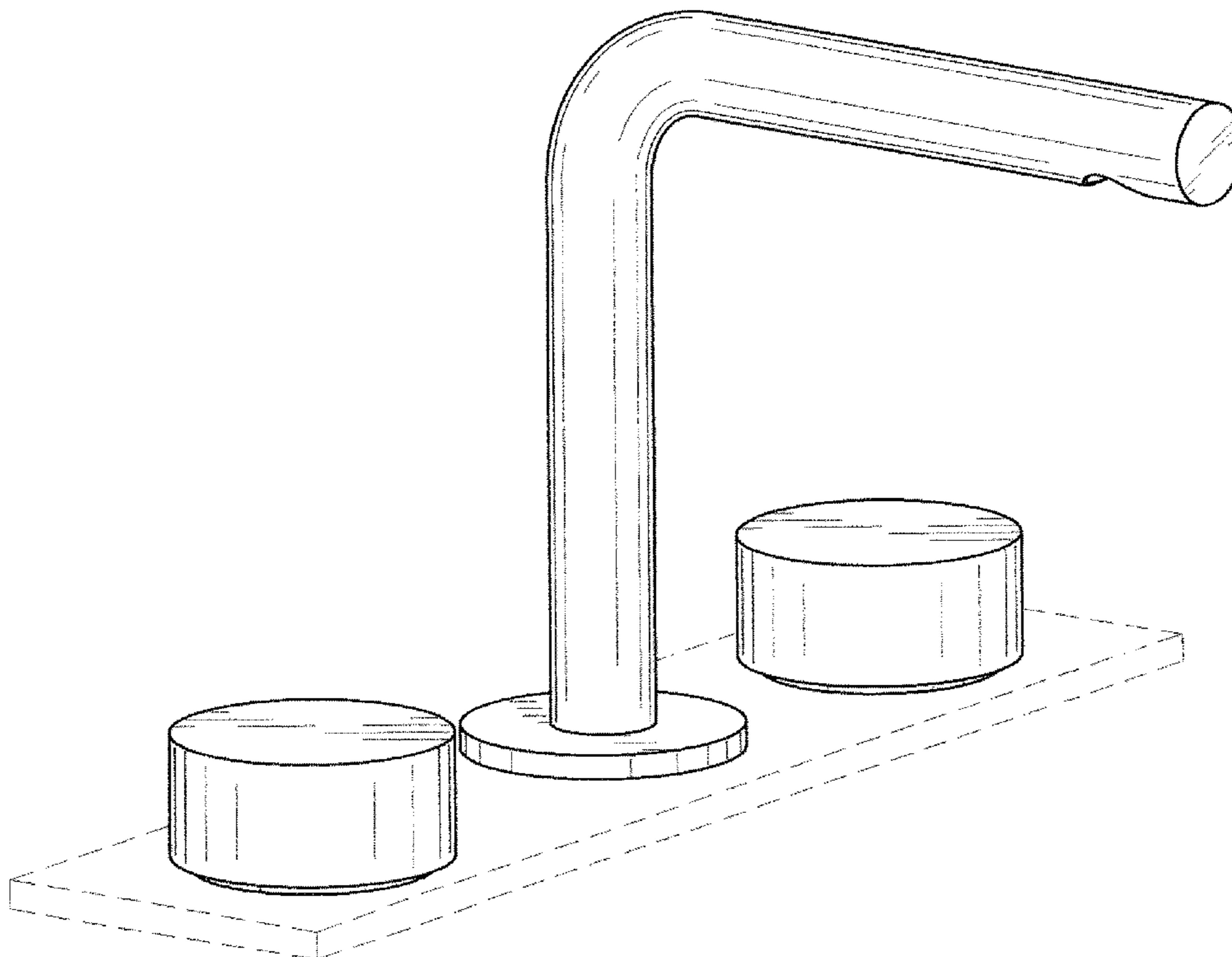
FIG. 5 is a plan view of the bottom thereof;

FIG. 6 is an elevational view of one side thereof, the other side being the same; and,

FIG. 7 is a second perspective view showing the bottom thereof.

The broken line showing environment is included for the purpose of illustrating a portion of the that forms no part of the claimed design.

**1 Claim, 7 Drawing Sheets**



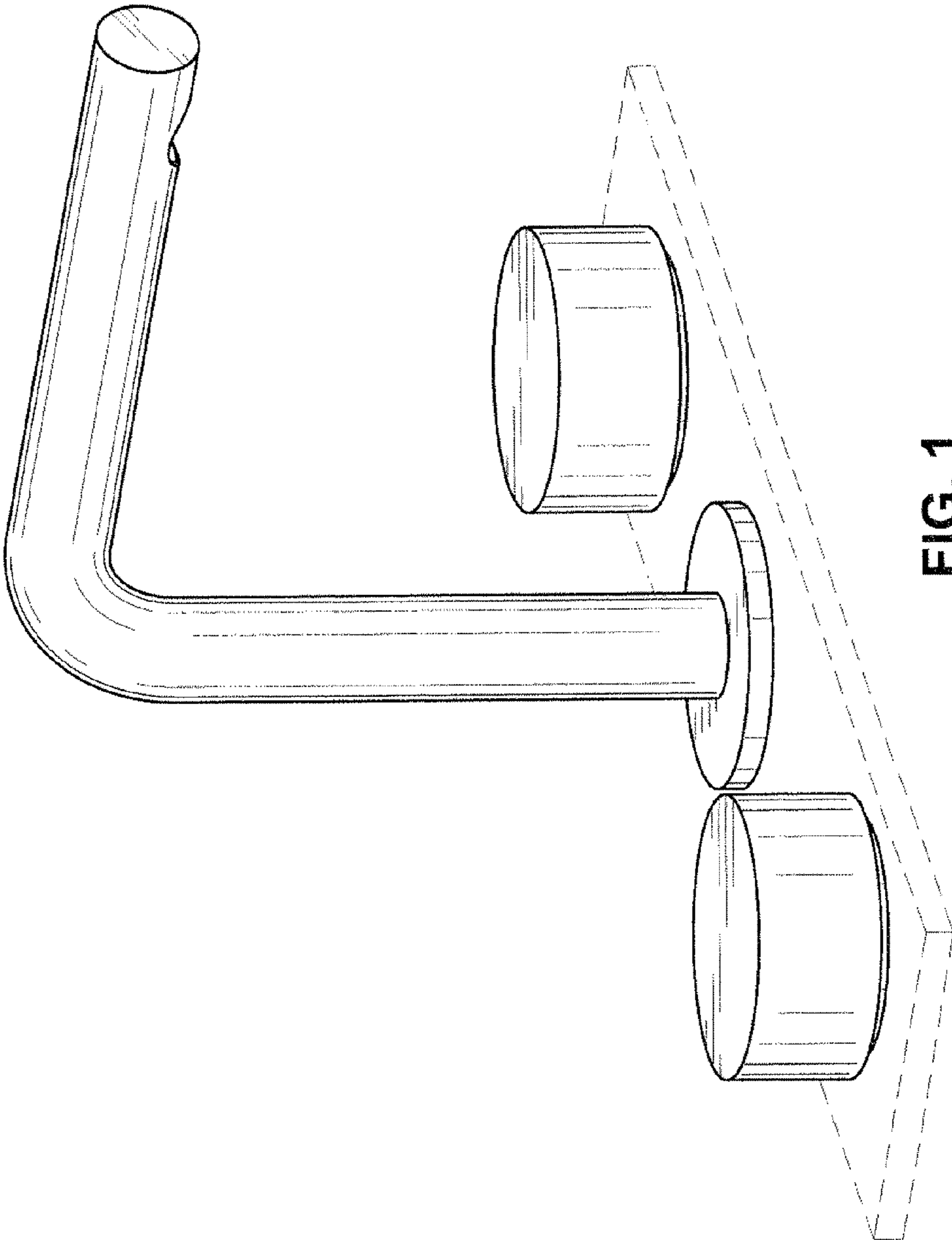


FIG. 1

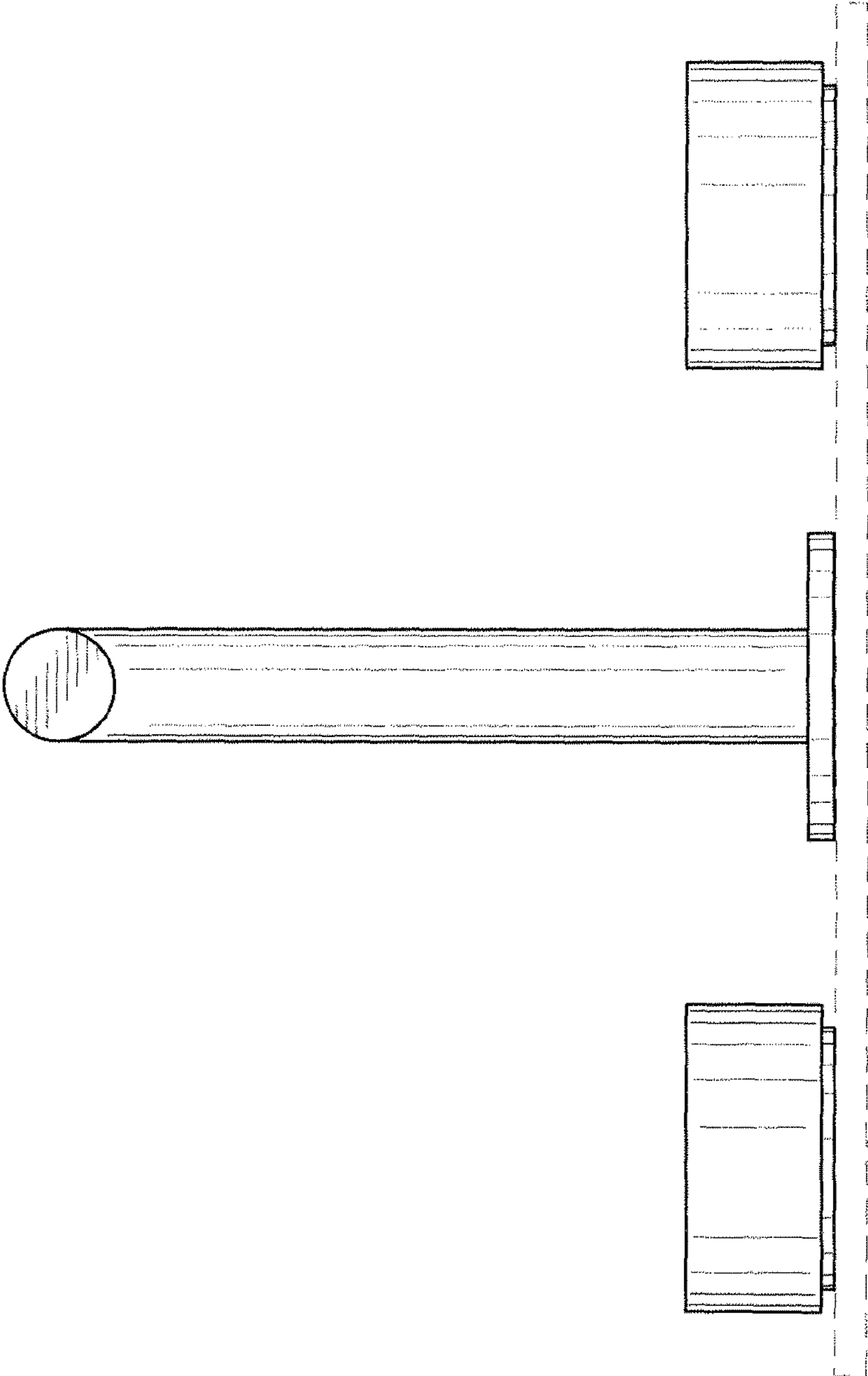


FIG. 2

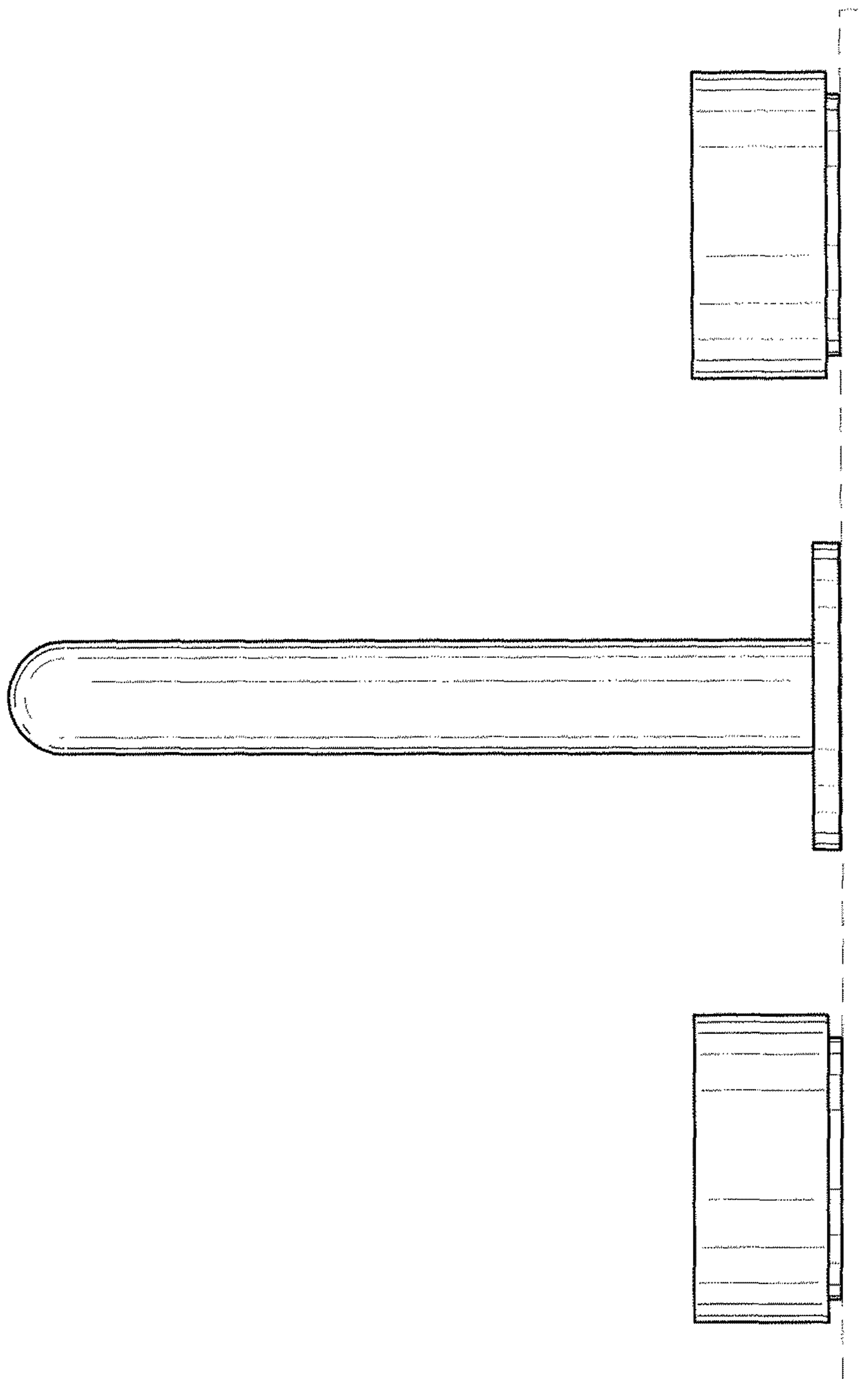


FIG. 3

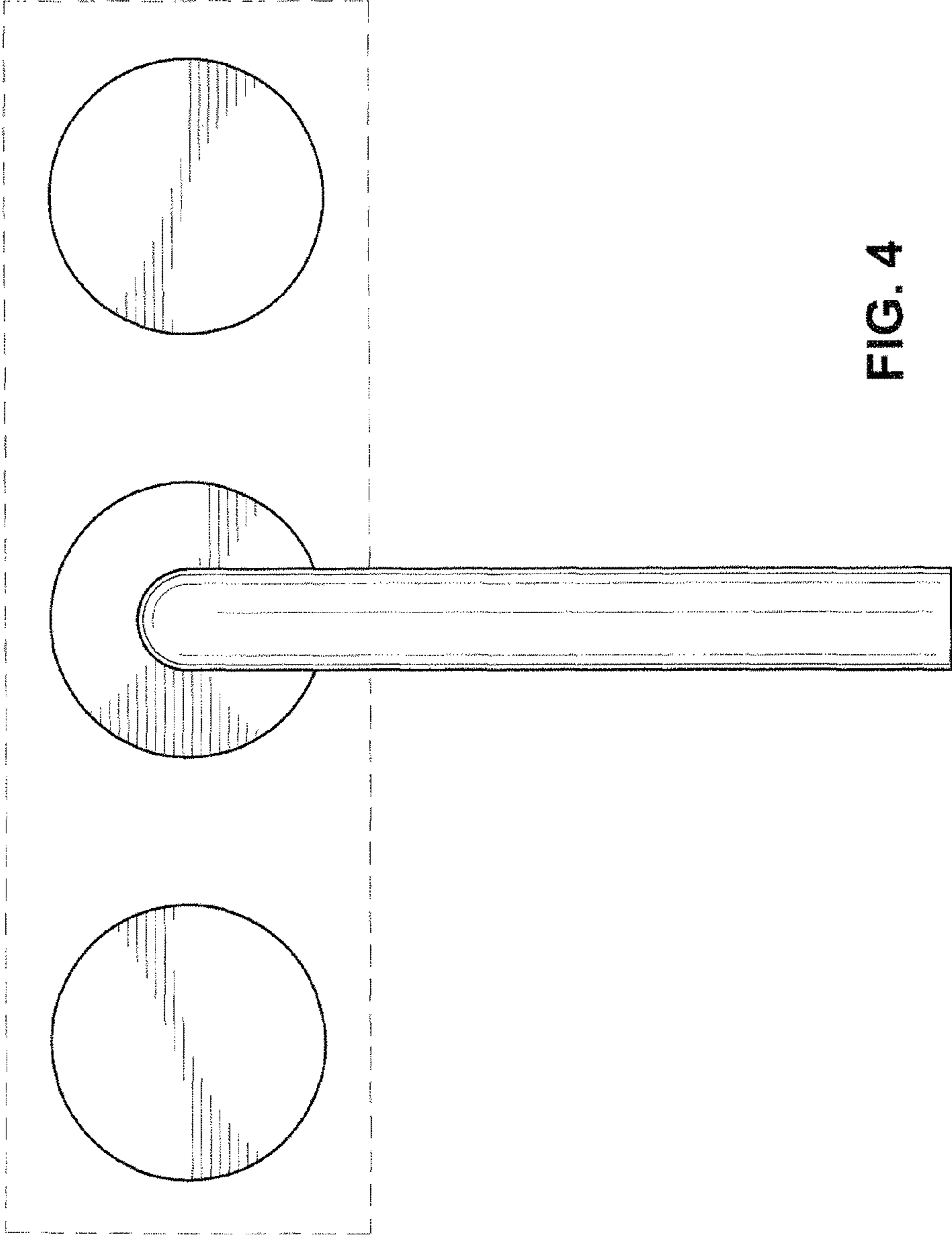


FIG. 4

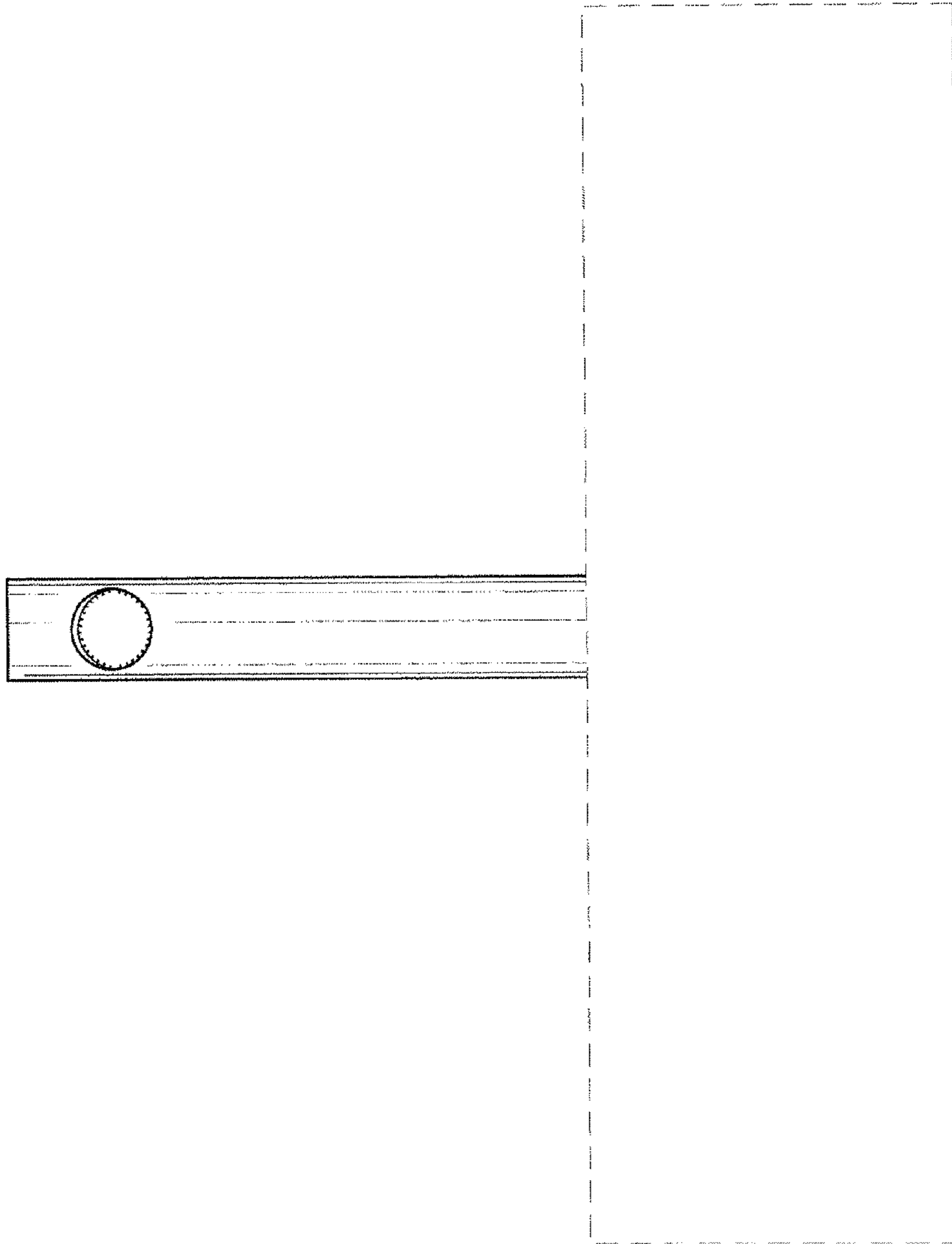


FIG. 5

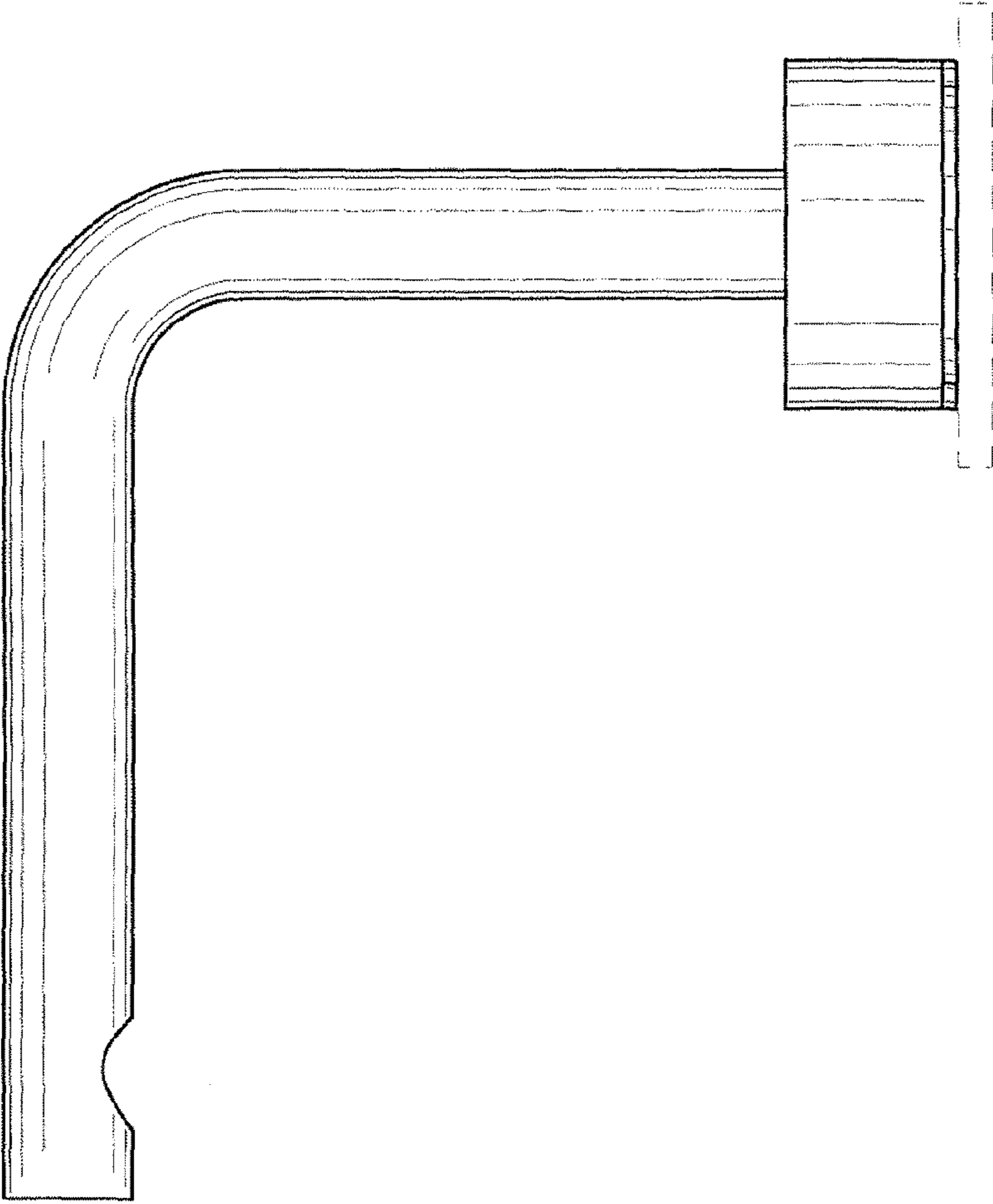


FIG. 6

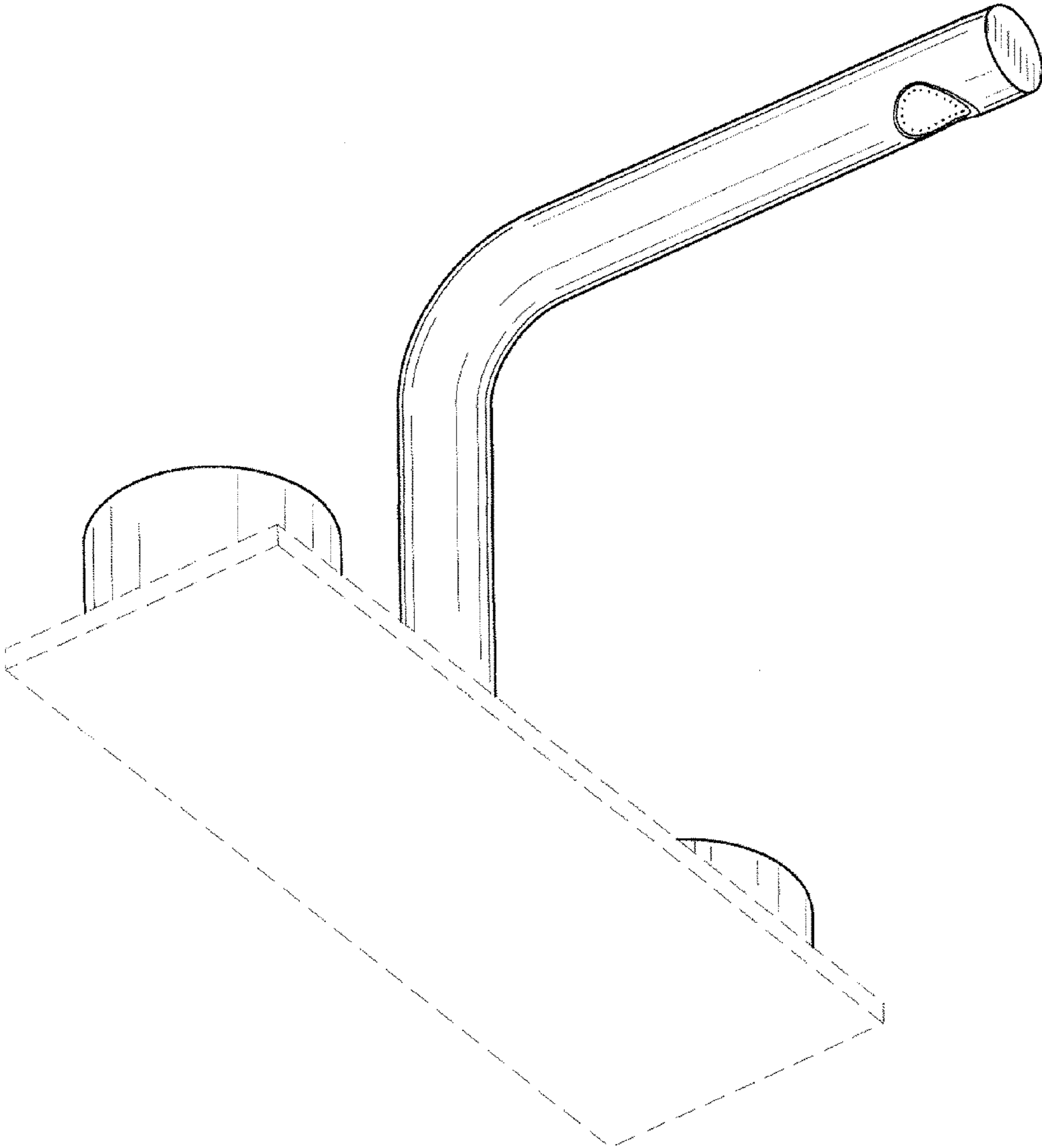


FIG. 7