



US00D655784S

(12) **United States Design Patent**
Fukasawa

(10) **Patent No.:** **US D655,784 S**
(45) **Date of Patent:** **** Mar. 13, 2012**

(54) **FAUCET**

(75) Inventor: **Naoto Fukasawa**, Tokyo (JP)

(73) Assignees: **Fratelli Fantini S.p.A.**, Pella (NO) (IT);
Boffi S.p.A., Lentate Sul Seveso (MB)
(IT)

(**) Term: **14 Years**

(21) Appl. No.: **29/389,161**

(22) Filed: **Apr. 7, 2011**

(51) **LOC (9) Cl.** **23-01**

(52) **U.S. Cl.** **D23/238**

(58) **Field of Classification Search** D23/238,
D23/241-242, 250, 252, 254, 255, 257; 4/676-678;
137/801

See application file for complete search history.

(56) **References Cited**

U.S. PATENT DOCUMENTS

D312,495 S * 11/1990 Joerger D23/242
D516,677 S * 3/2006 Haug et al. D23/242
D597,632 S * 8/2009 Obara et al. D23/250

D615,628 S * 5/2010 Allard D23/255
* cited by examiner

Primary Examiner — Robert Delehanty

(74) *Attorney, Agent, or Firm* — Nixon & Vanderhye PC

(57) **CLAIM**

The ornamental design for a faucet, as shown and described.

DESCRIPTION

FIG. 1 is a perspective view of the faucet showing my new design;

FIG. 2 is a front elevational view thereof;

FIG. 3 is a rear elevational view thereof;

FIG. 4 is a plan view of the top thereof;

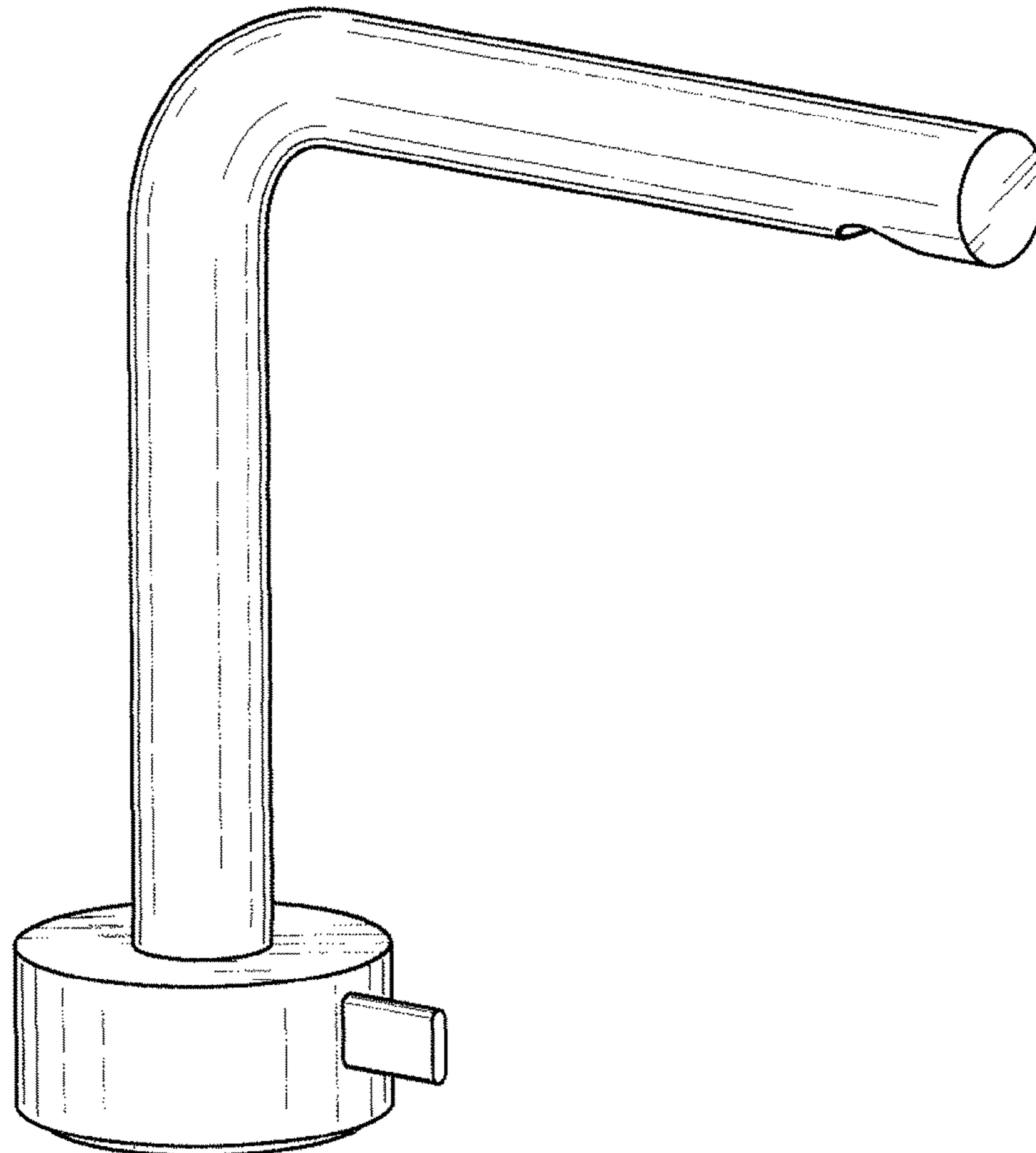
FIG. 5 is a plan view of the bottom thereof;

FIG. 6 is an elevational view of one side thereof, the other side being the same; and,

FIG. 7 is another perspective view showing the bottom thereof.

The broken lines showing environment are included for the purpose of illustrating a portion of the faucet that forms no part of the claimed design.

1 Claim, 5 Drawing Sheets



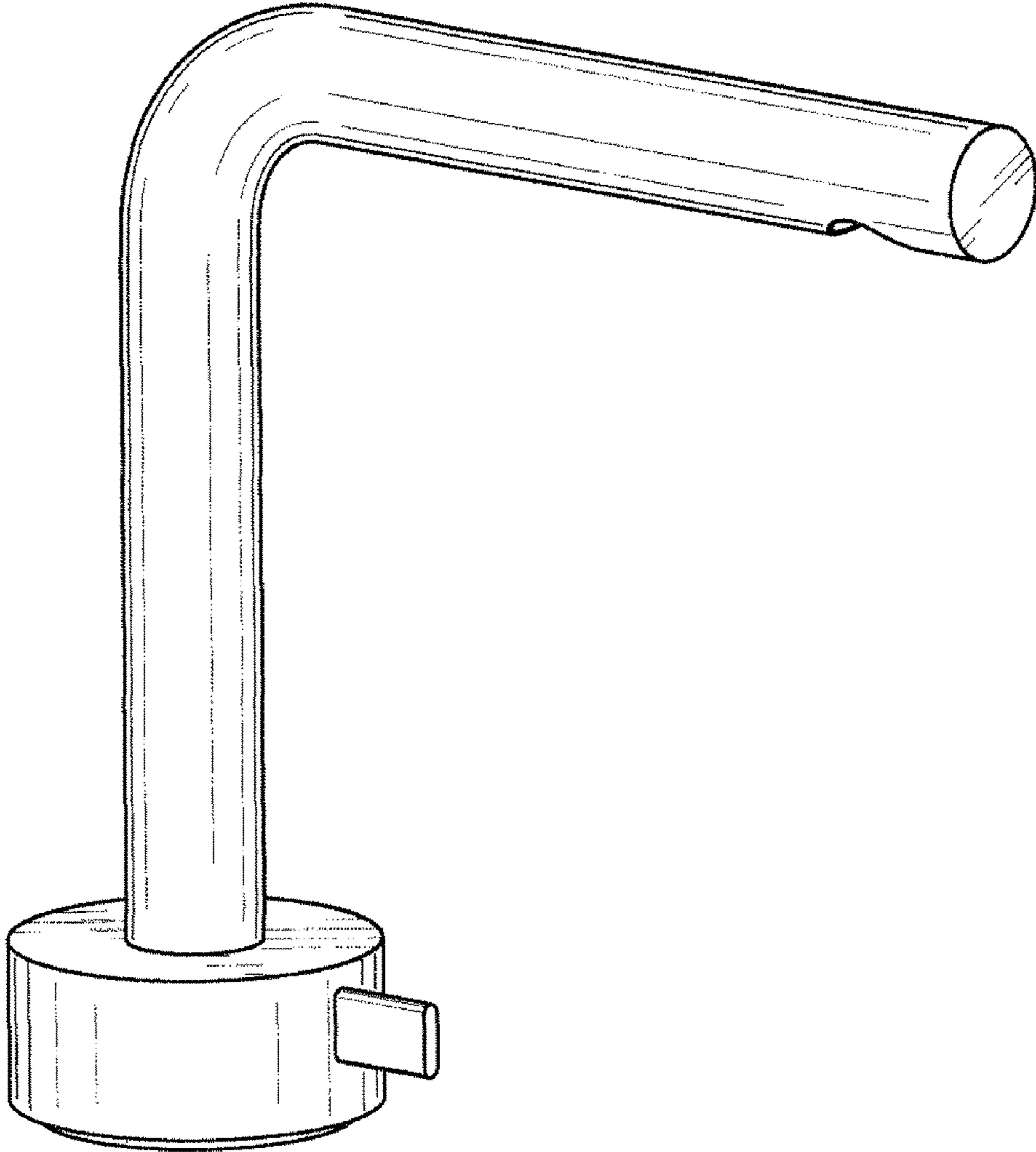


FIG. 1

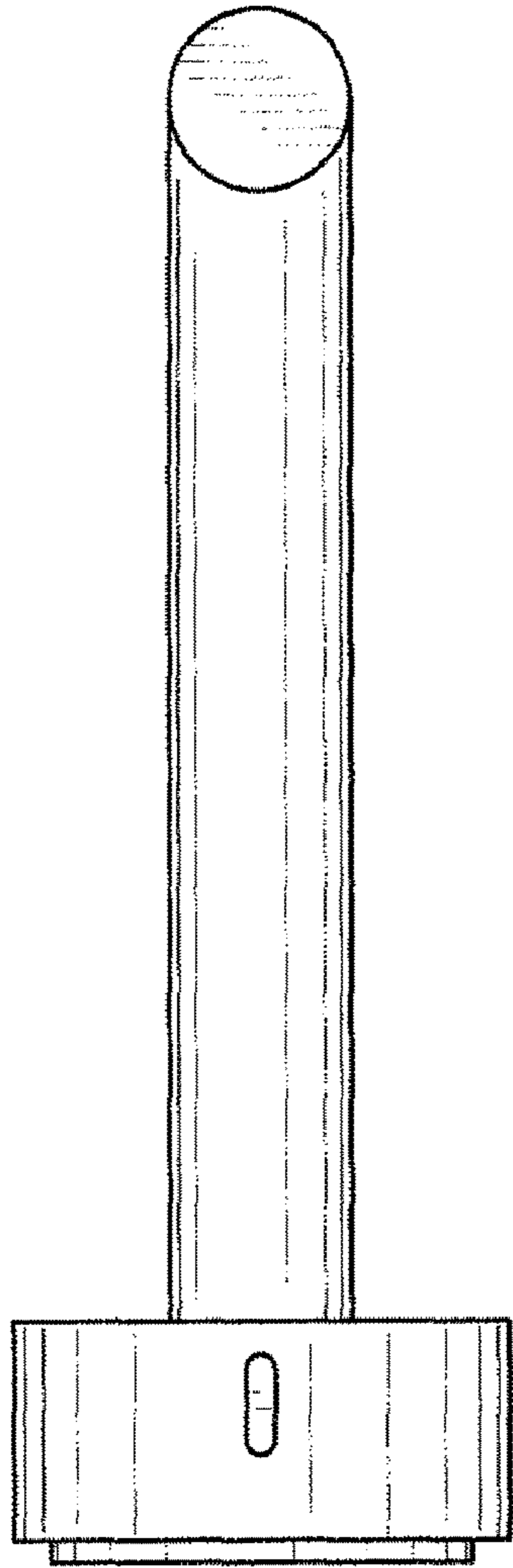


FIG. 2

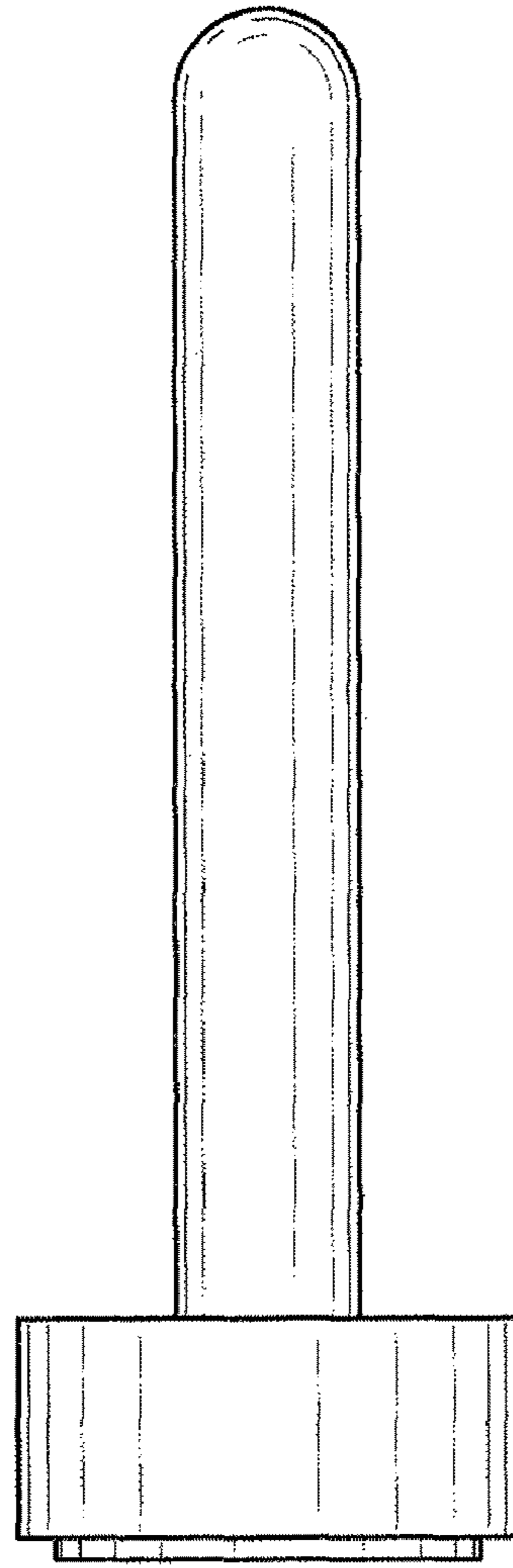


FIG. 3

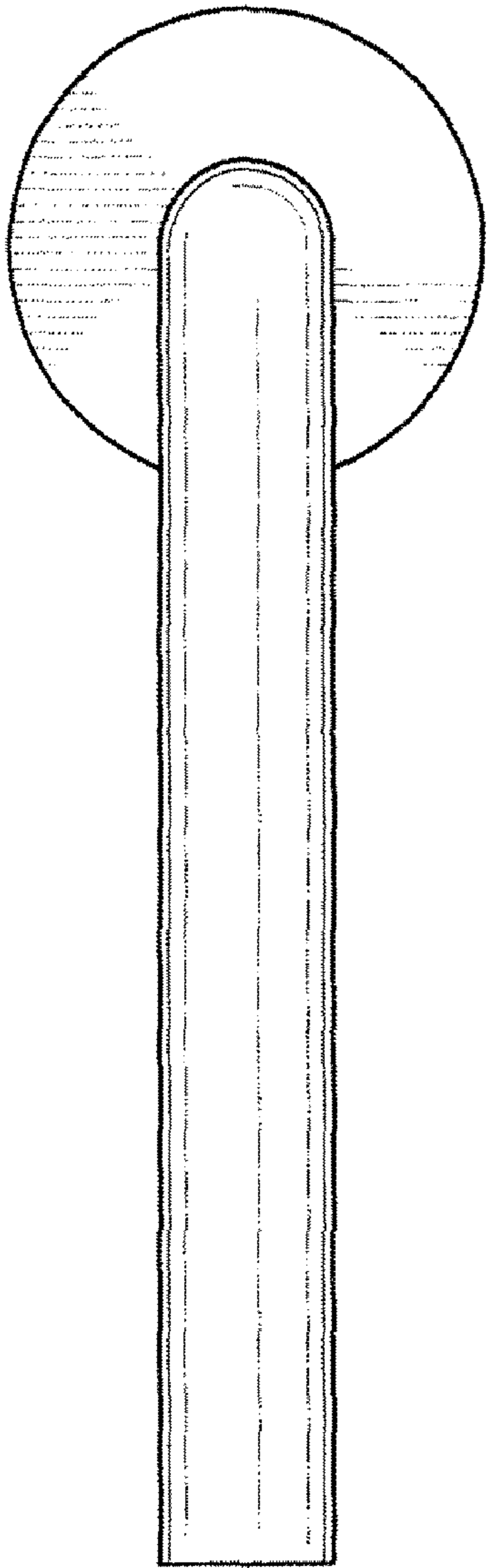


FIG. 4

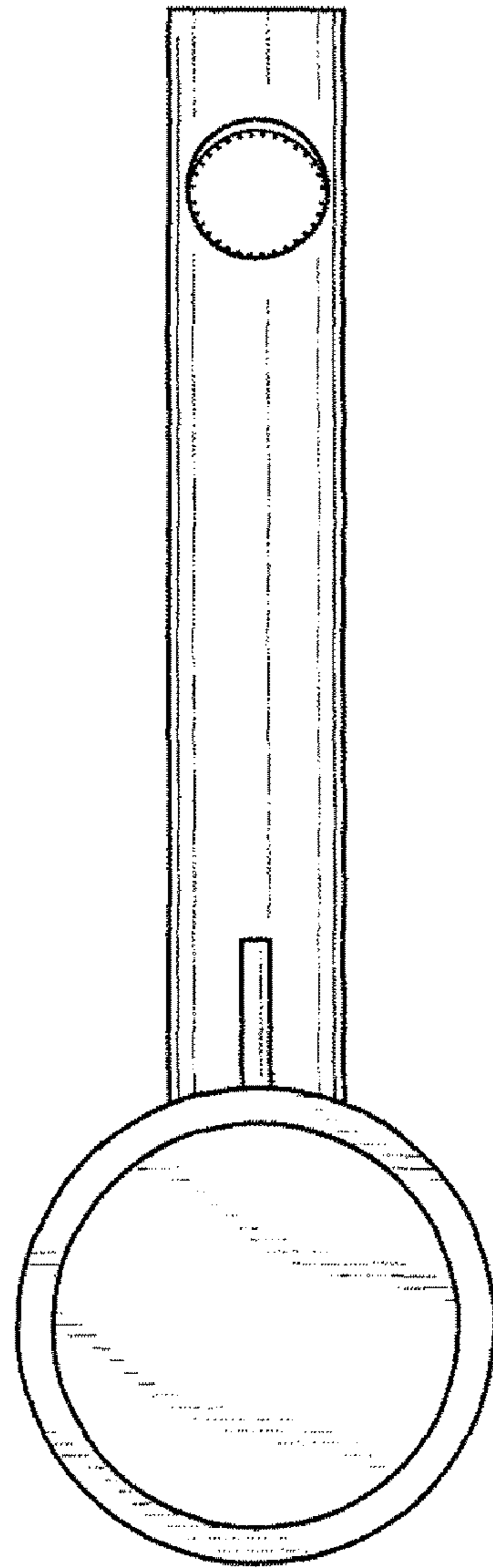


FIG. 5

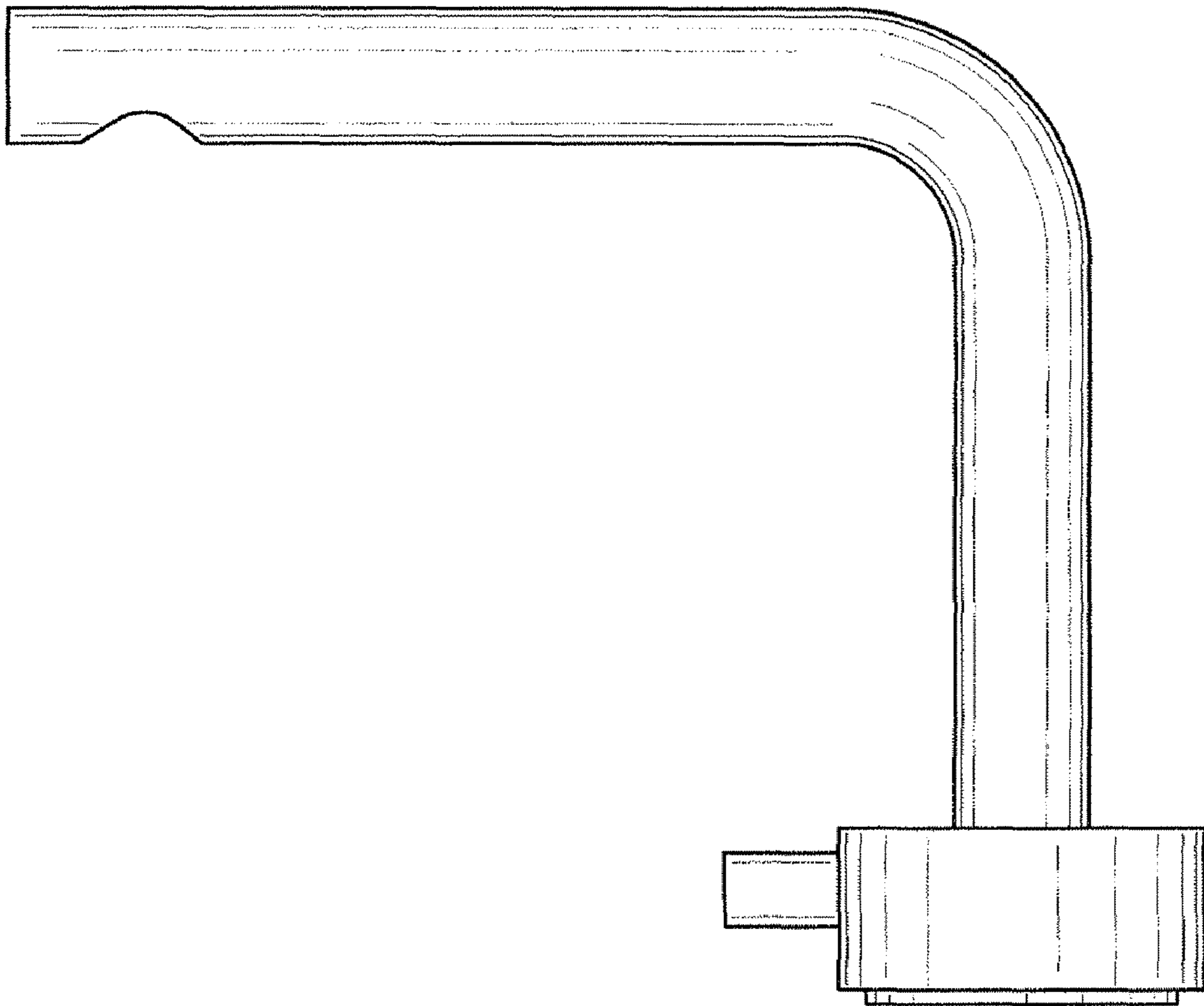


FIG. 6

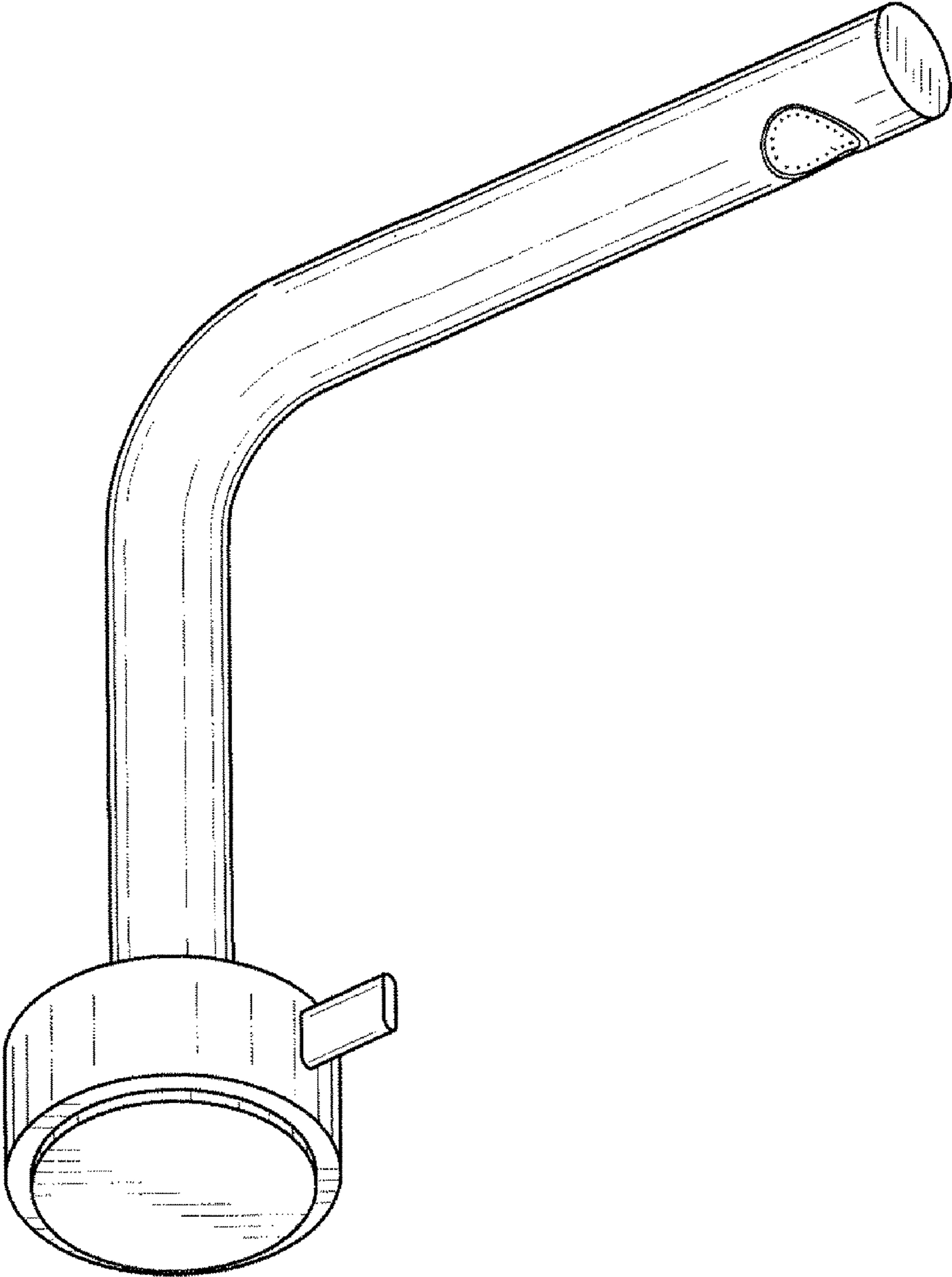


FIG. 7