



US00D655783S

(12) **United States Design Patent**
Schoenherr et al.

(10) **Patent No.:** **US D655,783 S**
(45) **Date of Patent:** **** Mar. 13, 2012**

(54) **HANDHELD SHOWER**
(75) Inventors: **Tom Schoenherr**, Stuttgart (DE);
Matthias Oesterle, Winterbach (DE)
(73) Assignee: **Hansgrohe AG**, Schiltach (DE)
(**) Term: **14 Years**
(21) Appl. No.: **29/398,159**
(22) Filed: **Jul. 27, 2011**

D590,916 S 4/2009 Schoenherr et al.
D590,917 S 4/2009 Schoenherr et al.
D591,396 S * 4/2009 Lobermeier D23/223
D591,828 S * 5/2009 Lobermeier D23/223
D610,231 S * 2/2010 Wu et al. D23/223
D619,213 S * 7/2010 Lee D23/223
D619,214 S * 7/2010 Lee D23/223

* cited by examiner

Primary Examiner — Robin V Webster
(74) *Attorney, Agent, or Firm* — Nirav D. Parikh; Lora J. Graentzdoerffer; Edgar A. Zarins

(30) **Foreign Application Priority Data**
Jan. 28, 2011 (EM) 001256952-0007
(51) **LOC (9) Cl.** **23-01**
(52) **U.S. Cl.** **D23/223**
(58) **Field of Classification Search** D23/213,
D23/223, 229, 230; 239/462, 394; 4/615
See application file for complete search history.

(57) **CLAIM**
The ornamental design for a handheld shower, as shown and described.

DESCRIPTION

FIG. 1 is a perspective view of a handheld shower showing our design;
FIG. 2 is a front elevational view thereof;
FIG. 3 is a rear elevational view thereof;
FIG. 4 is a left side elevational view thereof; the right side elevational view being a mirror image thereof;
FIG. 5 is a top plan view thereof; and,
FIG. 6 is a bottom plan view thereof.
The broken lines in the drawings represent unclaimed portions of the design and form no part of the claimed design.

(56) **References Cited**
U.S. PATENT DOCUMENTS
D495,028 S * 8/2004 Jorgensen et al. D23/223
D508,974 S * 8/2005 Lin D23/223
D513,784 S * 1/2006 Tsang D23/223
D519,187 S * 4/2006 Tse D23/223
D527,072 S * 8/2006 Wu D23/223
D562,941 S * 2/2008 Pan D23/223

1 Claim, 6 Drawing Sheets



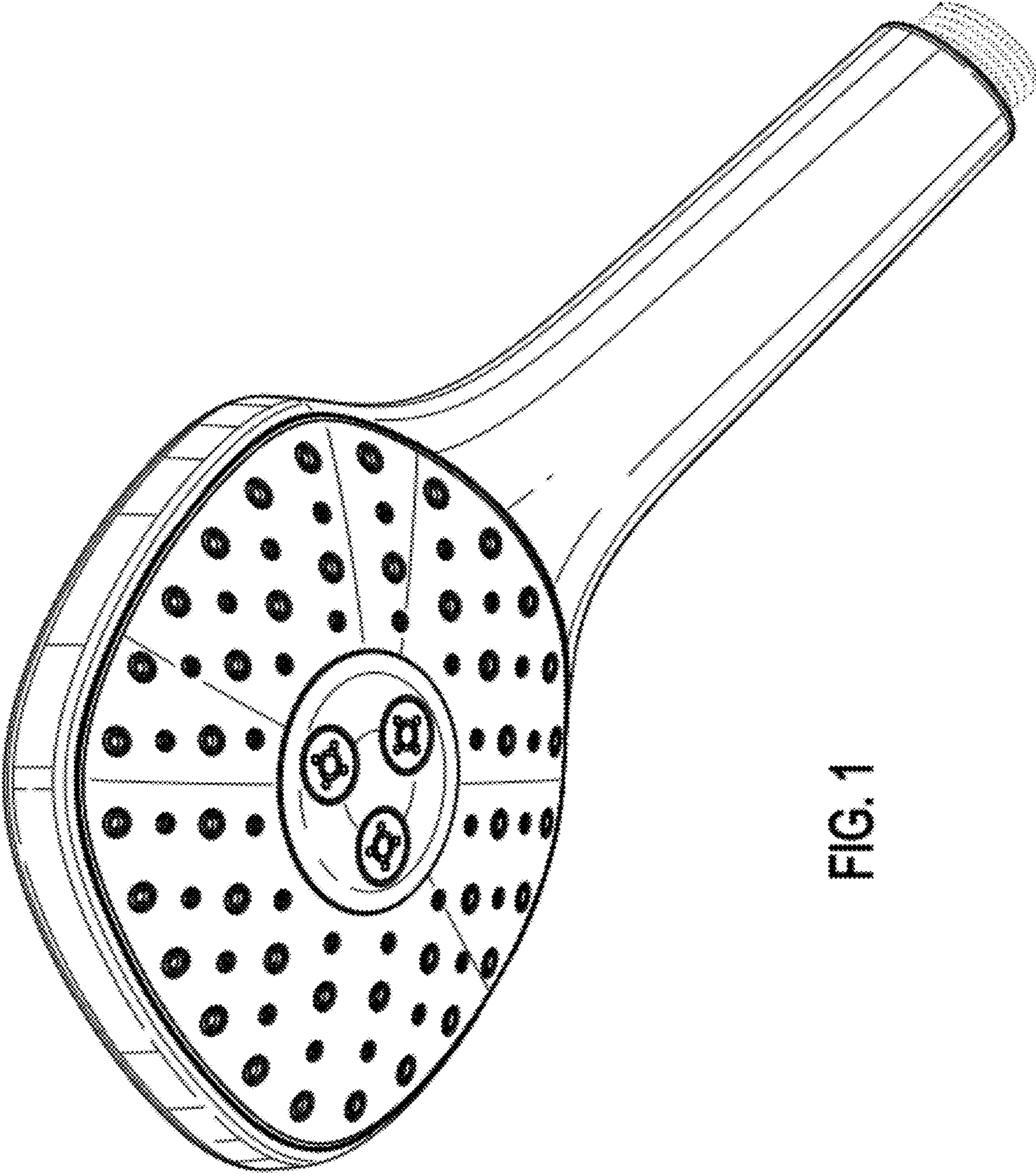


FIG. 1

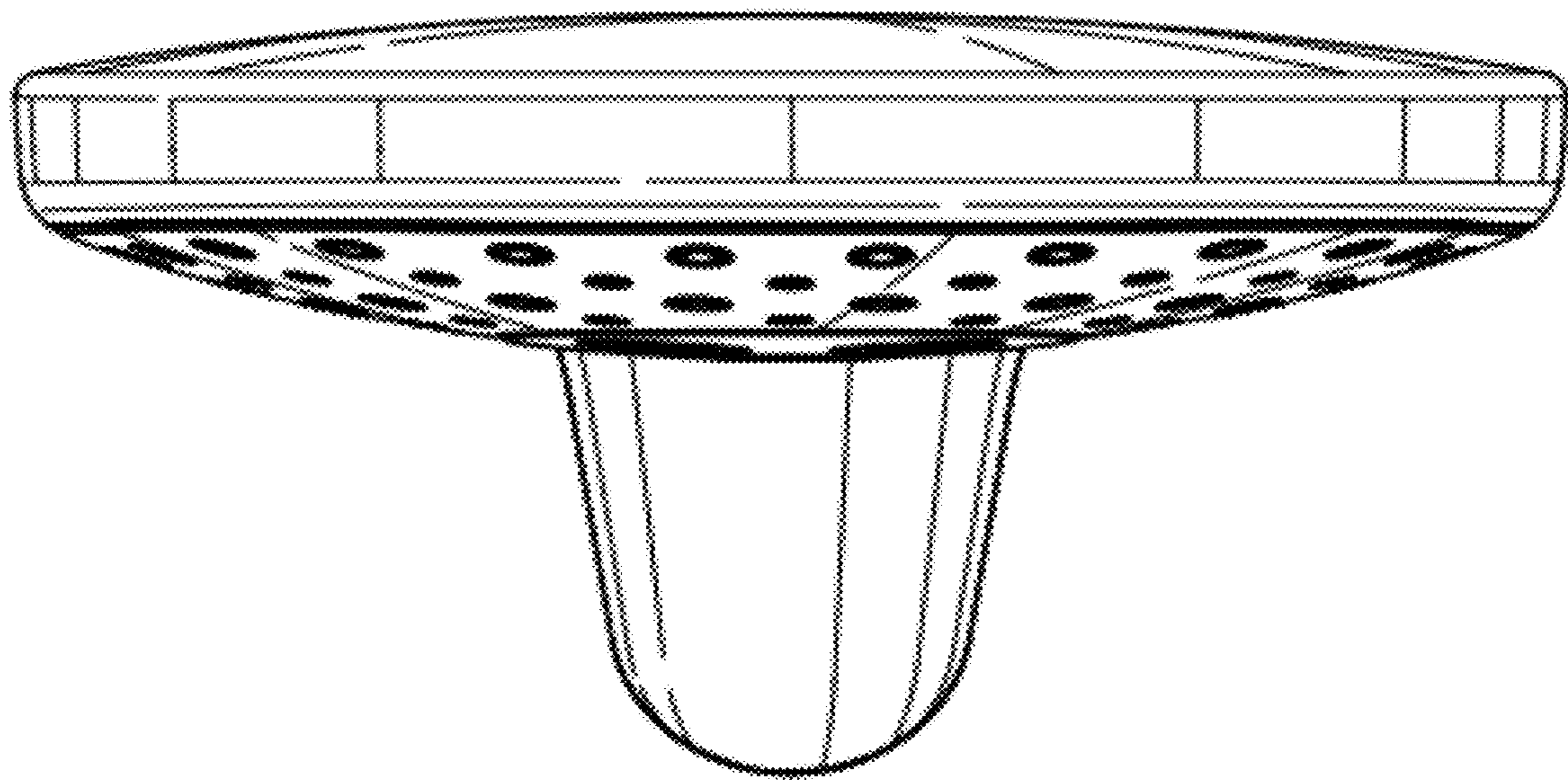


FIG. 2

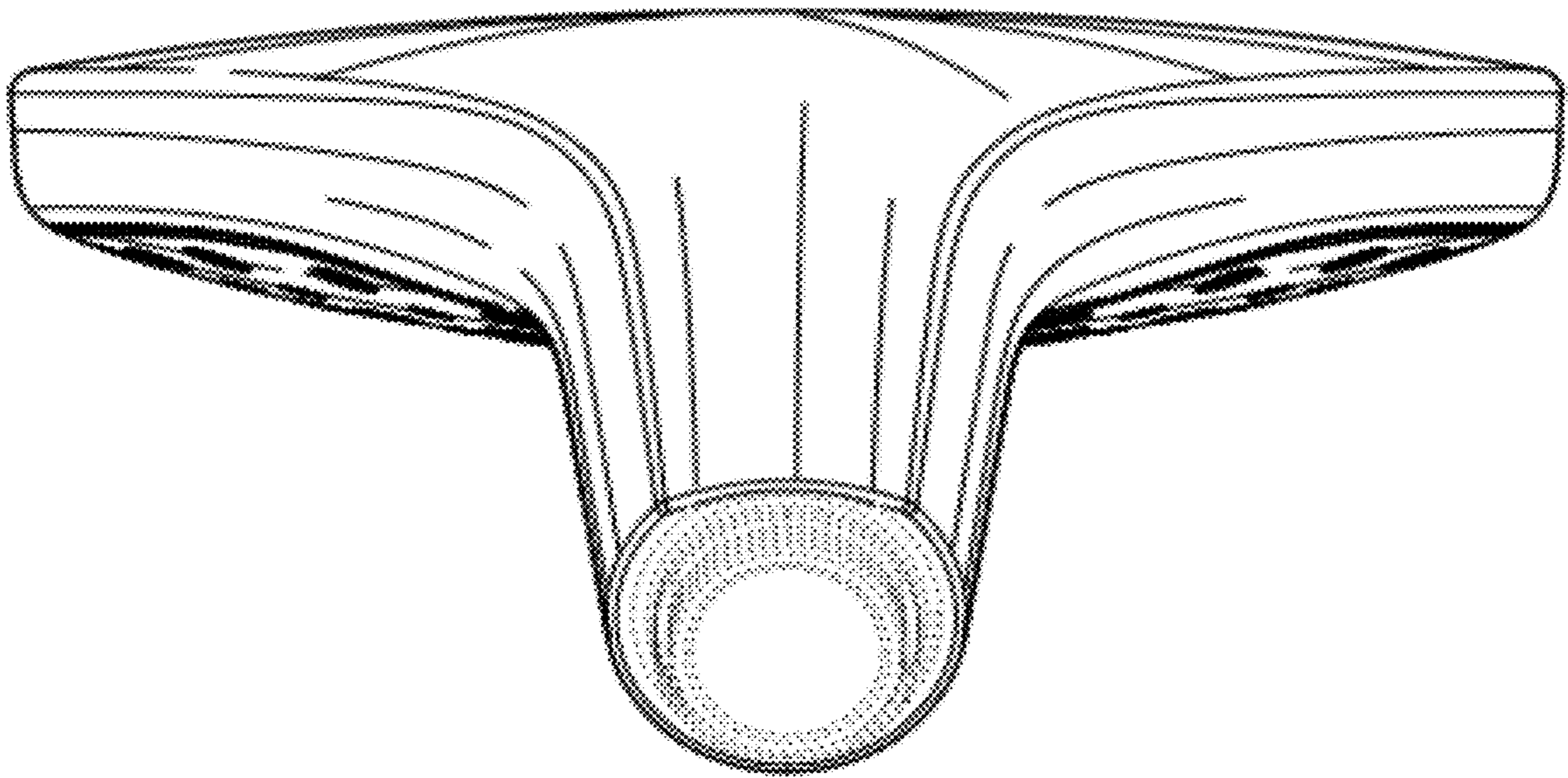


FIG. 3

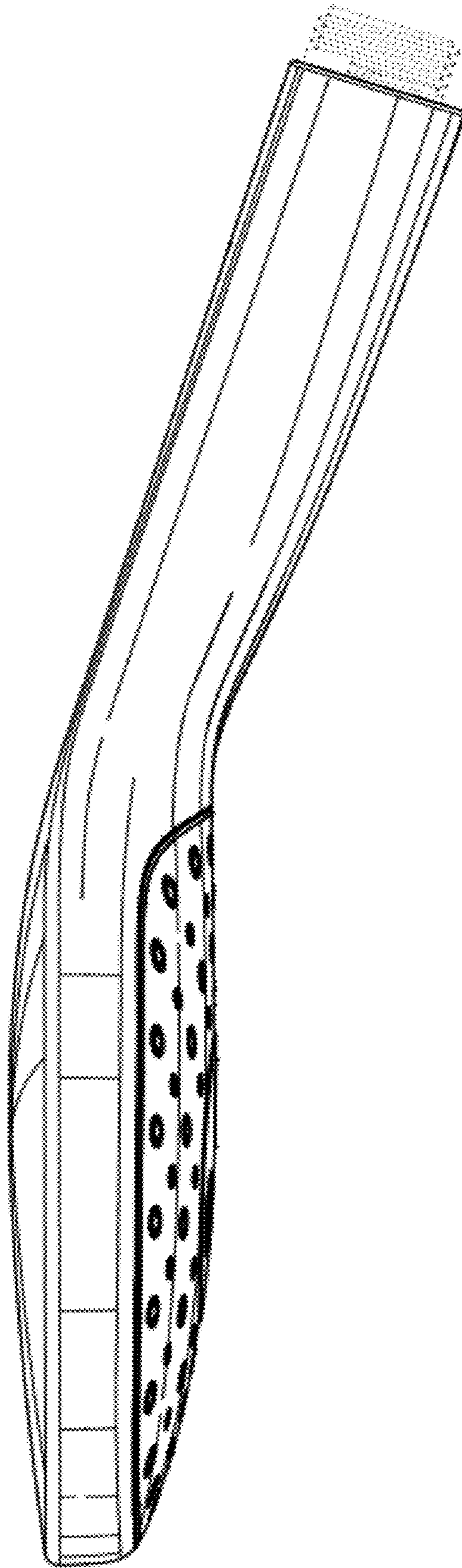


FIG. 4

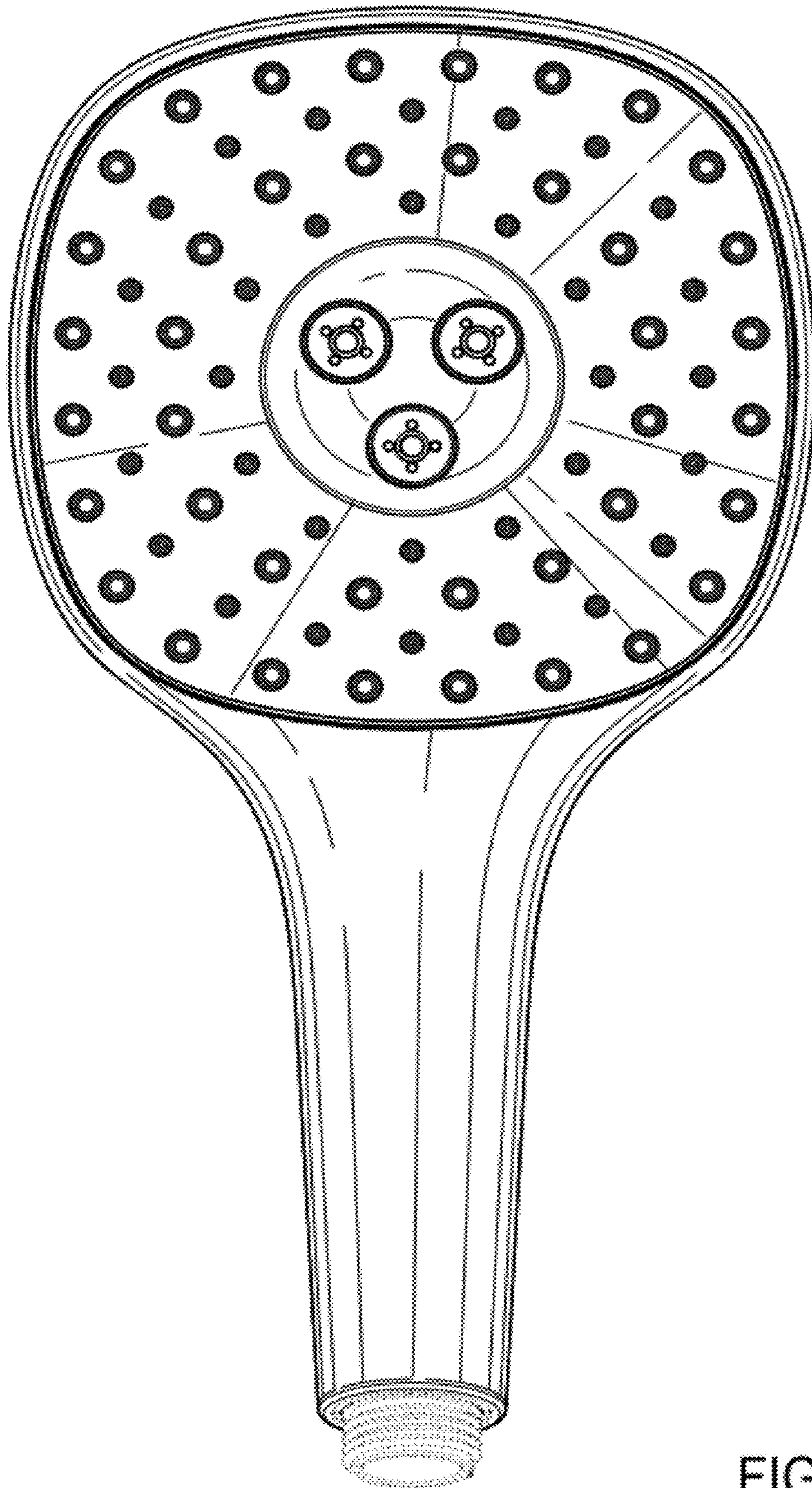


FIG. 5



FIG. 6