



US00D655782S

(12) **United States Design Patent**
Gill

(10) **Patent No.:** **US D655,782 S**

(45) **Date of Patent:** **** Mar. 13, 2012**

(54) **ROTATING SPRAY BAR**

(76) **Inventor:** **Brent Gill**, Hillsboro, OR (US)

(**) **Term:** **14 Years**

(21) **Appl. No.:** **29/392,451**

(22) **Filed:** **May 20, 2011**

(51) **LOC (9) Cl.** **23-01**

(52) **U.S. Cl.** **D23/214; D23/213**

(58) **Field of Classification Search** **D23/213,**
D23/214, 220; 210/519, 525
See application file for complete search history.

(56) **References Cited**

U.S. PATENT DOCUMENTS

724,350	A *	3/1903	Stauff	239/258
1,350,605	A	8/1920	Greenawalt		
1,583,141	A	5/1926	Greenawalt		
1,639,373	A	8/1927	Glover		
RE21,652	E	12/1940	Thayer		
2,364,298	A	12/1944	Kamp		
2,389,329	A	11/1945	Streander		
2,404,286	A	7/1946	Graham		
2,457,191	A	12/1948	Wigton		
2,489,678	A	11/1949	Sharples		
3,278,166	A	10/1966	Miles		
4,022,696	A *	5/1977	Krofta	210/520
4,030,513	A	6/1977	McKenzie		
D274,352	S *	6/1984	Haug	D23/213
4,538,765	A	9/1985	Mayr et al.		
4,545,892	A	10/1985	Cymbalisty et al.		
D282,200	S *	1/1986	Haug	D23/213
4,743,382	A	5/1988	Williamson et al.		

4,876,010	A	10/1989	Riddle		
5,089,136	A *	2/1992	Cyr	210/519
5,116,492	A *	5/1992	Zlobin et al.	210/188
5,814,210	A	9/1998	Yoon et al.		
5,830,356	A *	11/1998	Kauppila	210/525
5,911,255	A	6/1999	Bond		
2001/0040129	A1	11/2001	Deskins		
2007/0267051	A1	11/2007	Gill		

FOREIGN PATENT DOCUMENTS

WO WO/2004/028975 8/2004

* cited by examiner

Primary Examiner — Robin V Webster

(74) *Attorney, Agent, or Firm* — Law Office of Karen Dana Oster, LLC

(57) **CLAIM**

I claim the ornamental design for a rotating spray bar, as shown and described.

DESCRIPTION

FIG. 1 is a perspective view of a rotating spray bar including my new design.

FIG. 2 is a front plan view of the rotating spray bar, the back plan view being a mirror image of the front view.

FIG. 3 is a top plan view of the rotating spray bar.

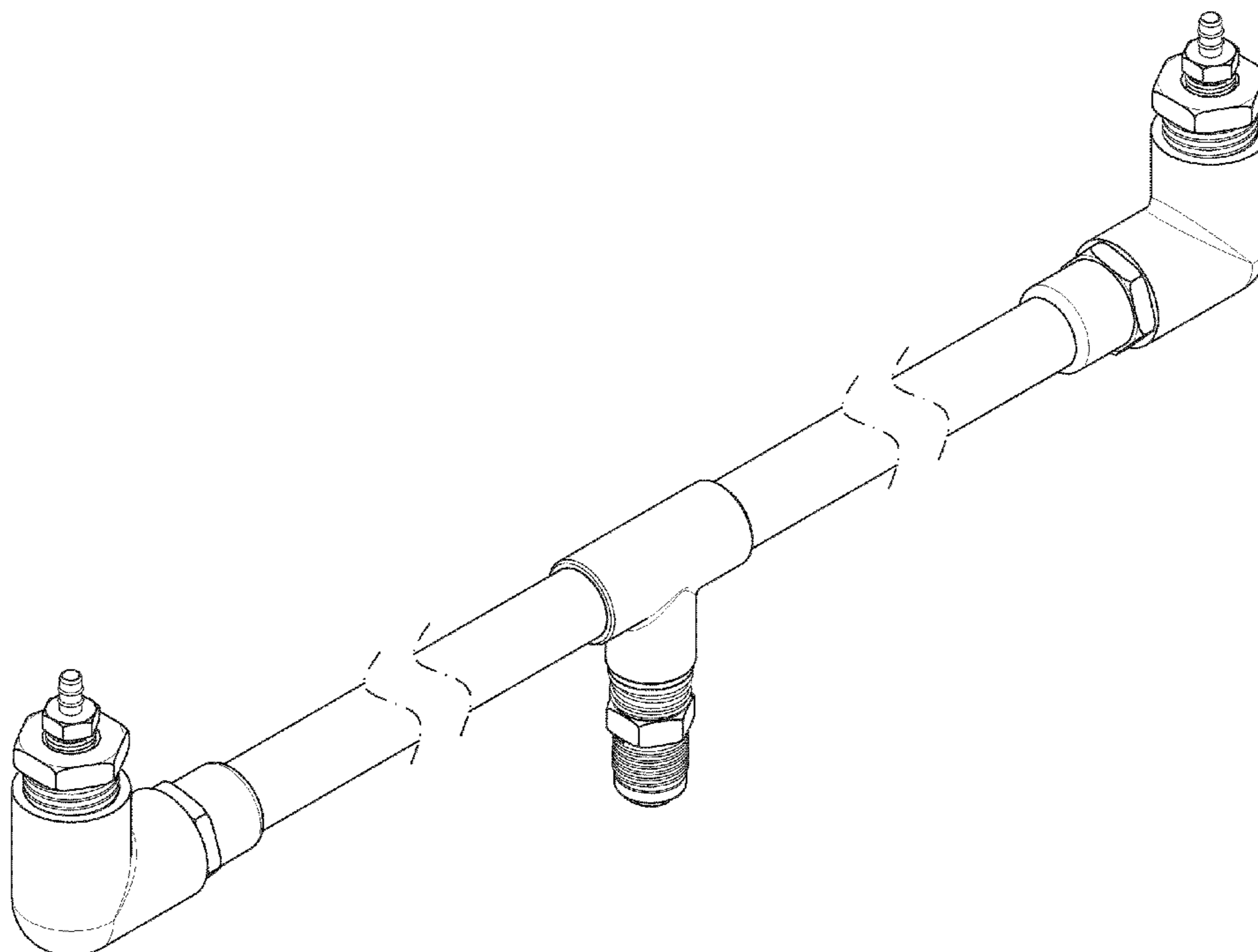
FIG. 4 is a bottom plan view of the rotating spray bar.

FIG. 5 is a first side view of the rotating spray bar; and,

FIG. 6 is a second side view of the rotating spray bar.

The broken lines in the drawings are included for the purpose of illustrating portions of the rotating spray bar that form no part of the claimed design.

1 Claim, 4 Drawing Sheets



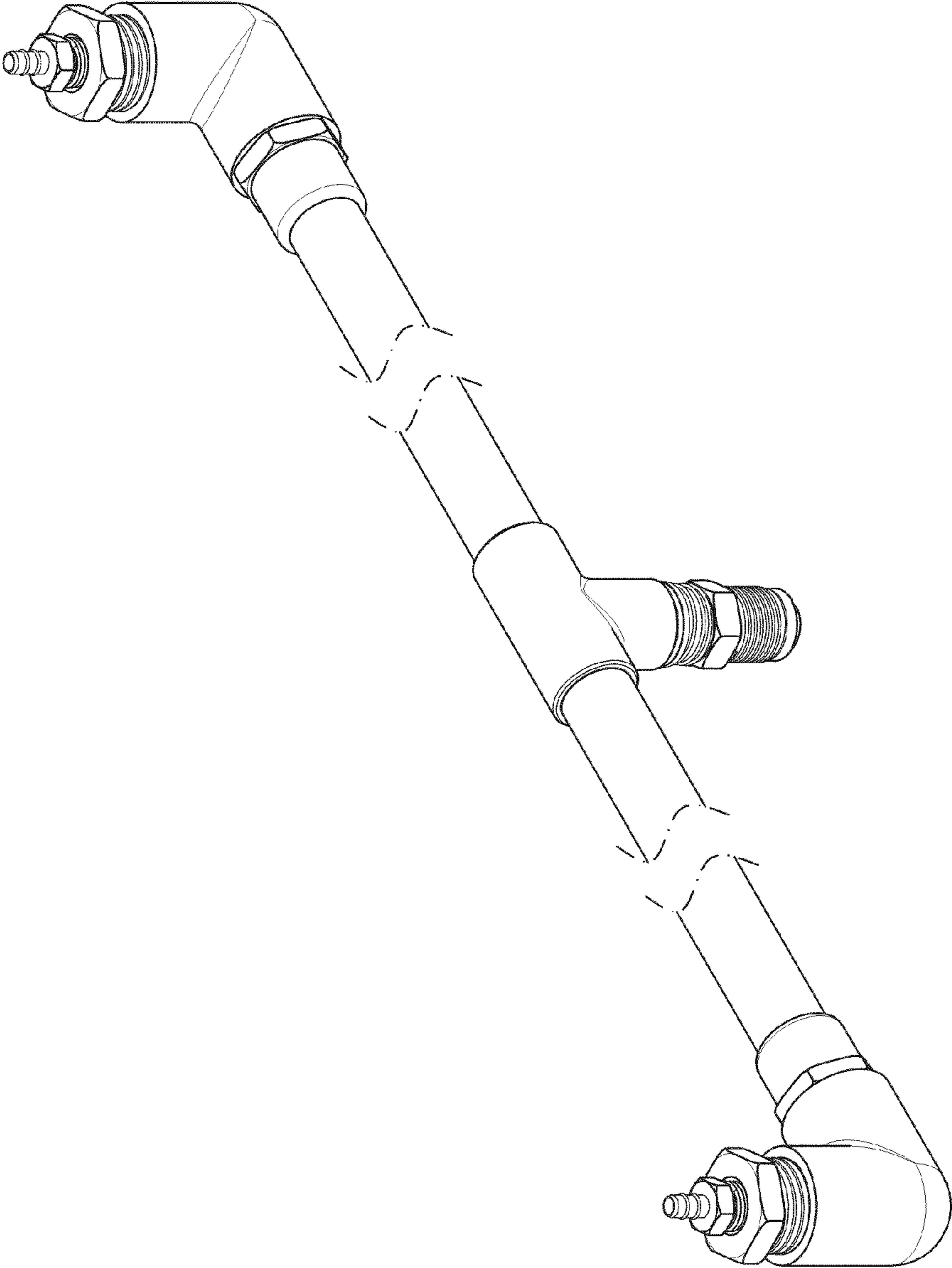


FIG. 1

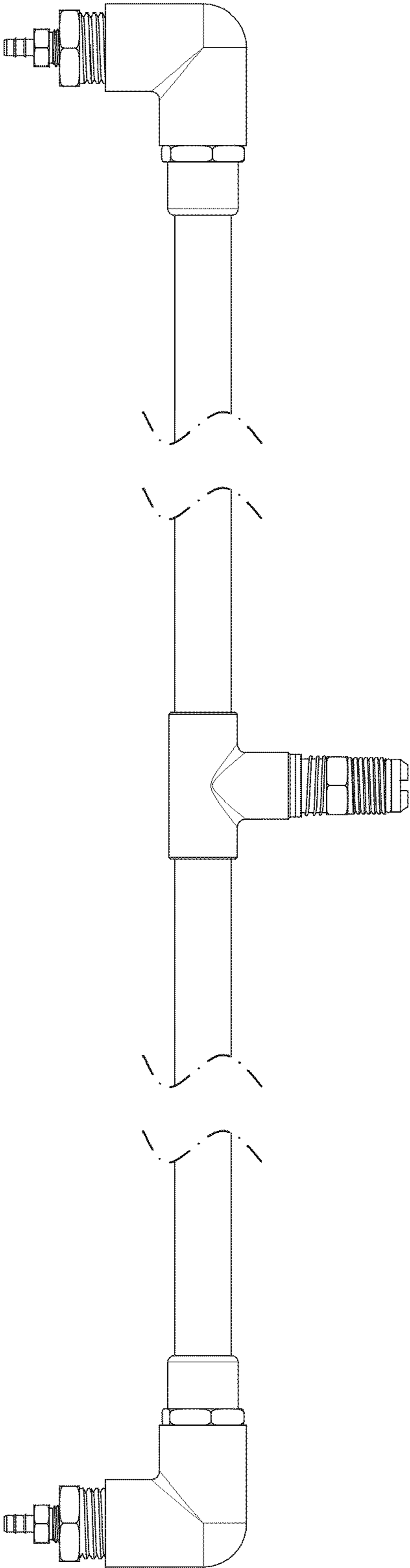


FIG. 2

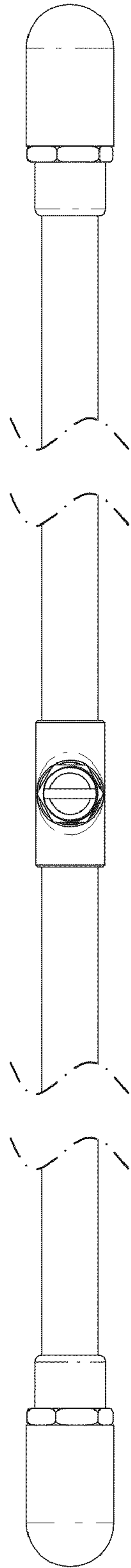


FIG. 3

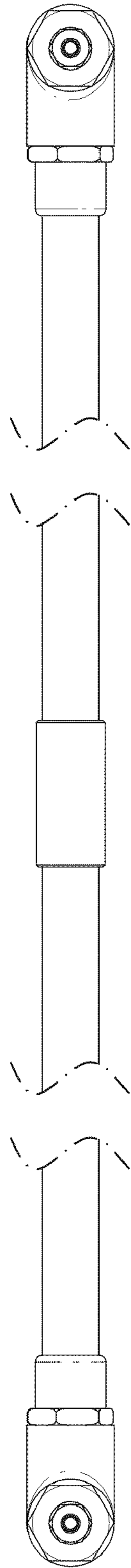


FIG. 4

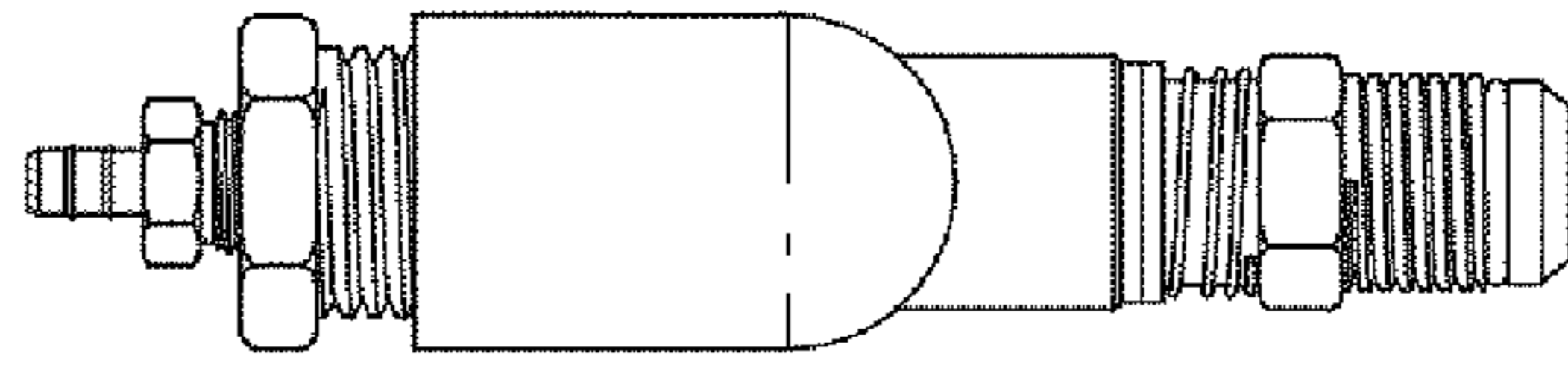


FIG. 5

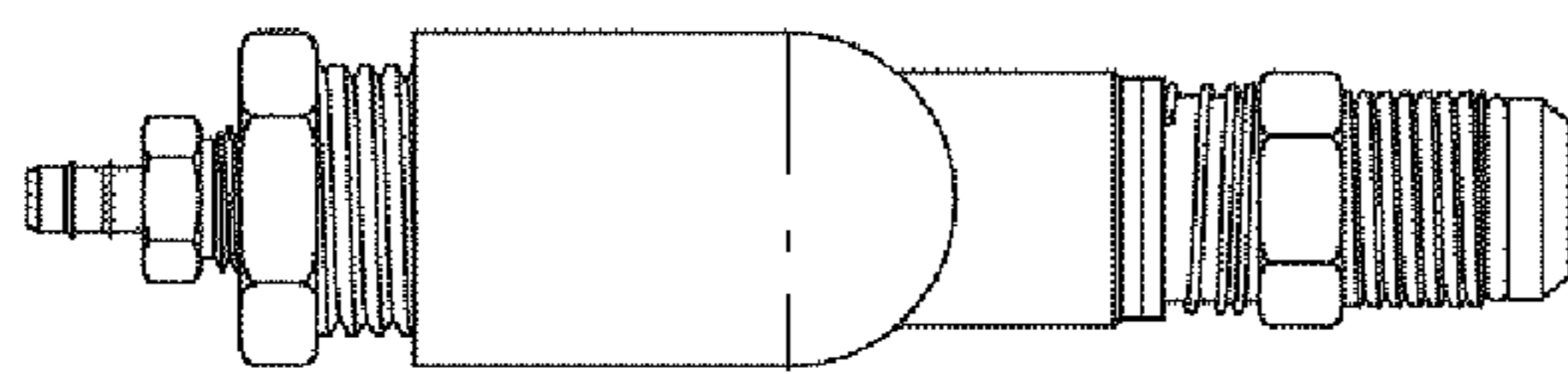


FIG. 6