



US00D655779S

(12) **United States Design Patent**
Honda et al.

(10) **Patent No.:** **US D655,779 S**
(45) **Date of Patent:** **** Mar. 13, 2012**

(54) **FILTER PLATE FOR A FILTER PRESS**

(75) Inventors: **Nobuo Honda**, Marugame (JP);
Yukitoshi Mitani, Marugame (JP);
Kazuhisa Otani, Marugame (JP)

(73) Assignee: **ISHIGAKI Company Limited**, Tokyo (JP)

(**) Term: **14 Years**

(21) Appl. No.: **29/373,538**

(22) Filed: **Apr. 22, 2011**

(30) **Foreign Application Priority Data**

Oct. 26, 2010 (JP) 2010-025680
Oct. 26, 2010 (JP) 2010-025681

(51) **LOC (9) Cl.** **23-01**

(52) **U.S. Cl.** **D23/209**

(58) **Field of Classification Search** D23/207,
D23/209; 210/225, 227, 231, 321.8, 321.89,
210/323.1

See application file for complete search history.

(56) **References Cited**

U.S. PATENT DOCUMENTS

2,702,126	A *	2/1955	Bennett et al.	210/231
3,669,267	A *	6/1972	Hutton	210/778
4,217,224	A *	8/1980	Fismer et al.	210/231
4,479,873	A *	10/1984	Korczykowski et al.	210/91
4,842,733	A *	6/1989	Kurita	210/225
5,792,348	A *	8/1998	Eisinga	210/224
5,843,310	A *	12/1998	Tsuchida et al.	210/225
6,365,043	B1 *	4/2002	Haberle	210/231
6,719,907	B2 *	4/2004	Collins et al.	210/646
6,790,360	B1 *	9/2004	Pedersen et al.	210/636
7,037,426	B2 *	5/2006	Pedersen	210/321.8
D526,044	S *	8/2006	Torichigai et al.	D23/209
7,156,993	B2 *	1/2007	Hermann et al.	210/231

D538,418 S * 3/2007 Pippel et al. D23/365
* cited by examiner

Primary Examiner — Robin V Webster
(74) *Attorney, Agent, or Firm* — Olson & Cepuritis, Ltd.

(57) **CLAIM**

The ornamental design for a filter plate for a filter press, as shown and described.

DESCRIPTION

FIG. 1 is a perspective view of a filter plate for a filter press showing our new design:

FIG. 2 is a front view thereof;

FIG. 3 is a rear view thereof;

FIG. 4 is a side view thereof;

FIG. 5 is an opposite side view thereof;

FIG. 6 is a top view thereof;

FIG. 7 is a bottom view thereof;

FIG. 8 is a sectional view taken generally along line 8-8 of FIG. 2;

FIG. 9 is a detail view taken generally along line 9-9 of FIG. 2;

FIG. 10 is a detail view on an enlarged scale taken generally between the lines 10-10 of FIG. 8;

FIG. 11 is a perspective view of a slightly modified filter plate for a filter press showing our new design;

FIG. 12 is a front view thereof;

FIG. 13 is a rear view thereof;

FIG. 14 is a side view thereof;

FIG. 15 is an opposite view thereof;

FIG. 16 is a top view thereof;

FIG. 17 is a bottom view thereof;

FIG. 18 is a sectional view taken generally along the line 18-18 of FIG. 12;

FIG. 19 is a detail view taken generally along the line 19-19 of FIG. 12; and,

FIG. 20 is a detail view on an enlarged scale taken generally between the lines 20-20 of FIG. 18.

1 Claim, 14 Drawing Sheets

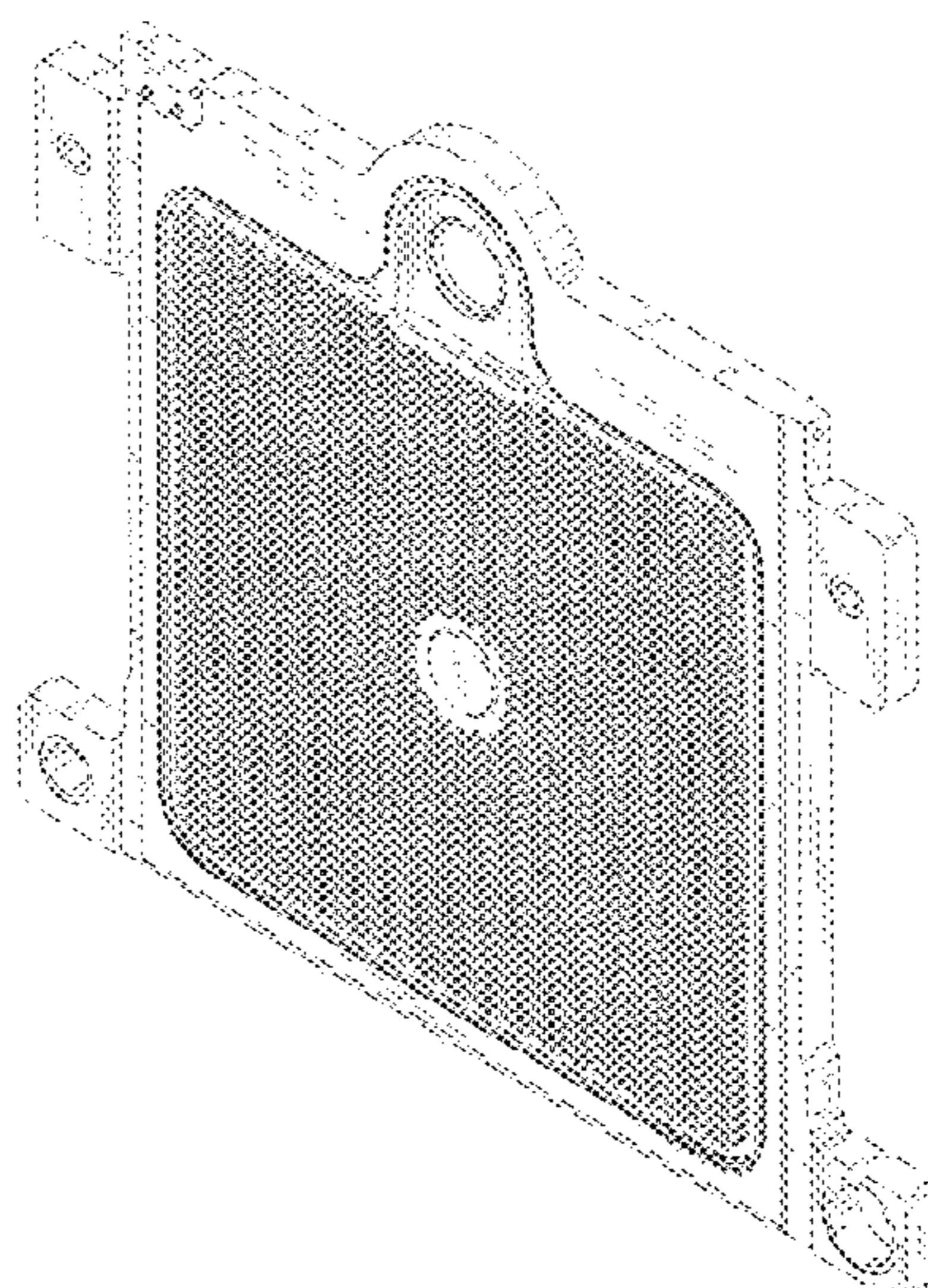
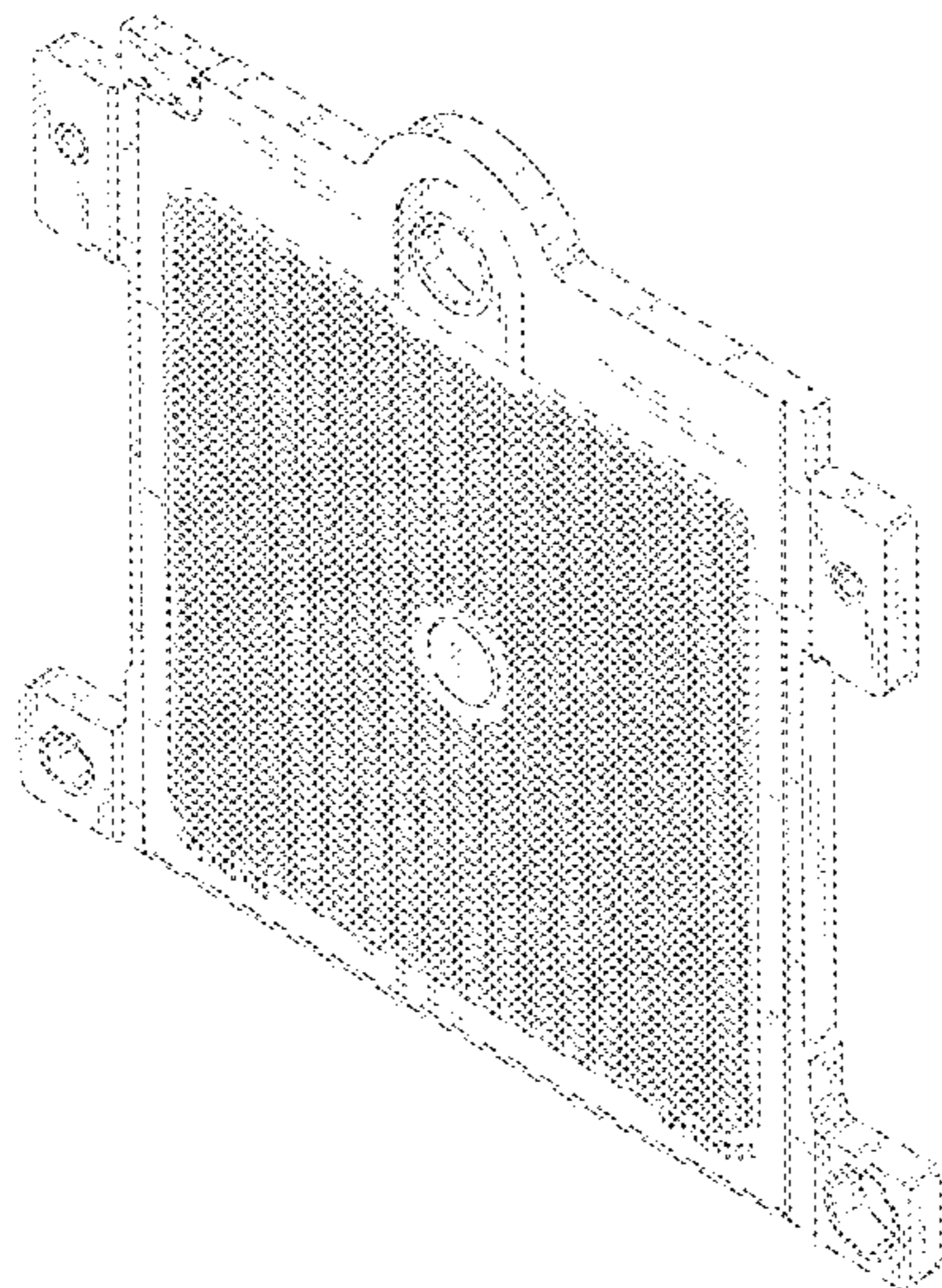


Fig. 1

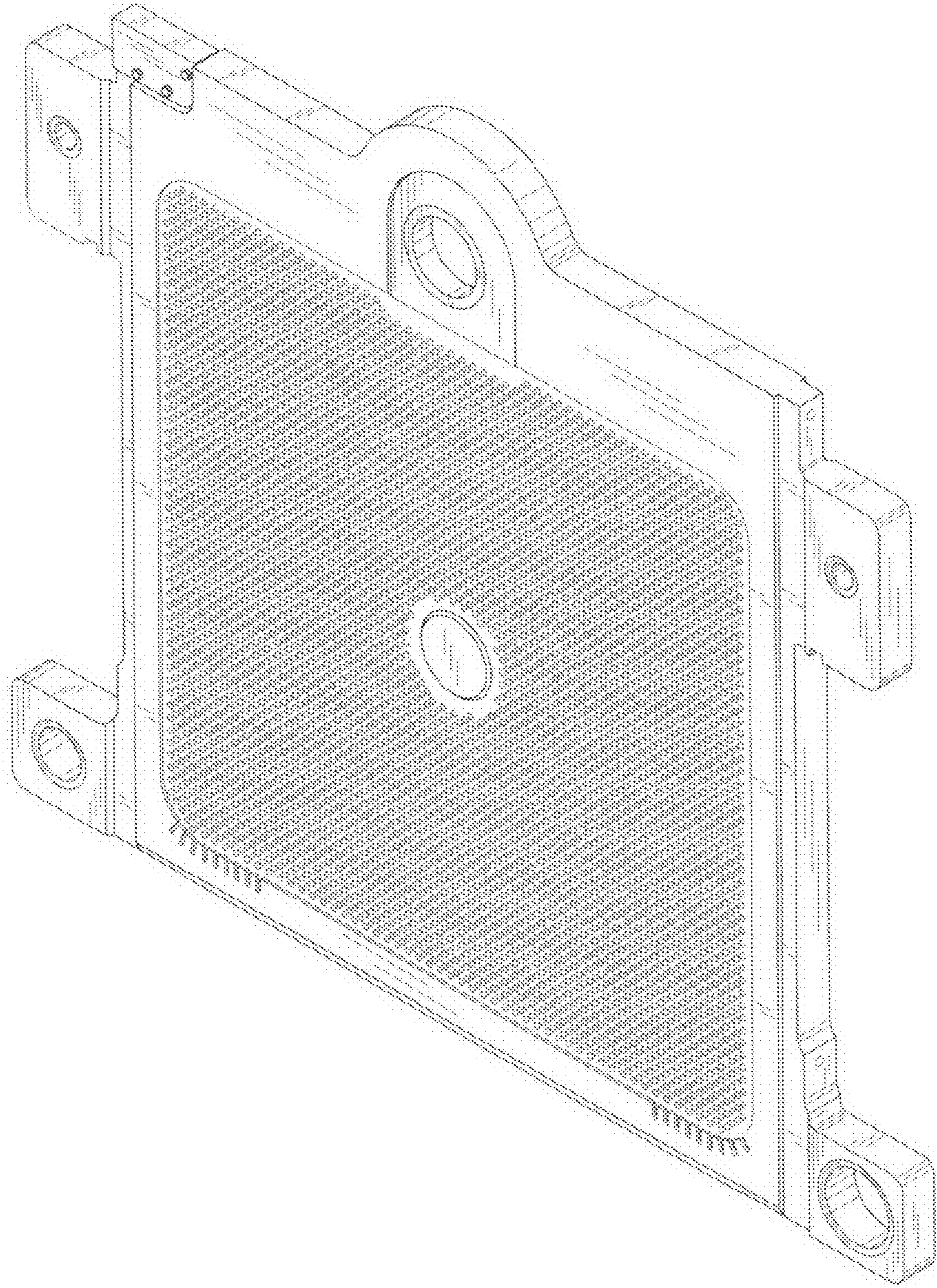


Fig.2

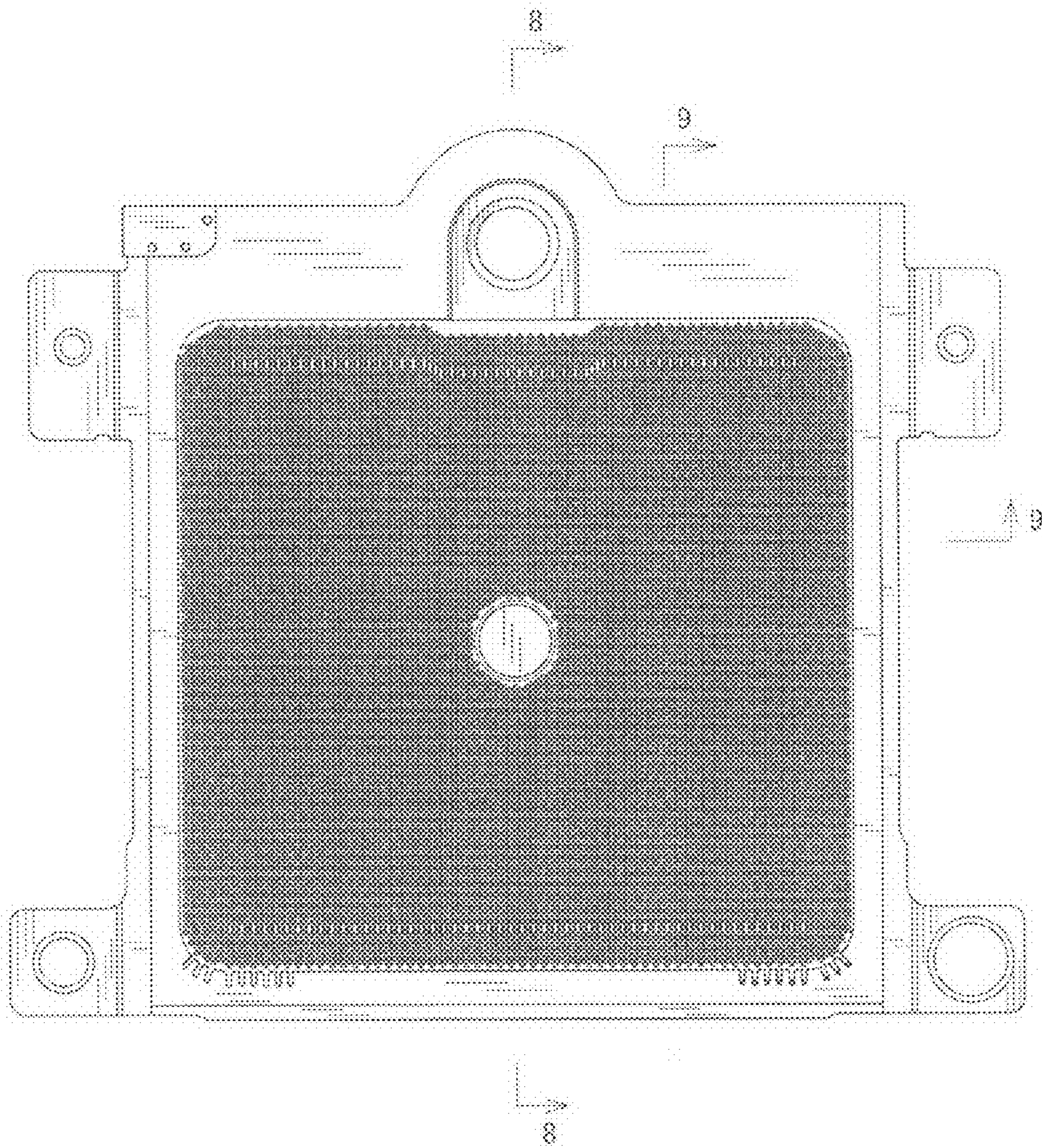


Fig.3

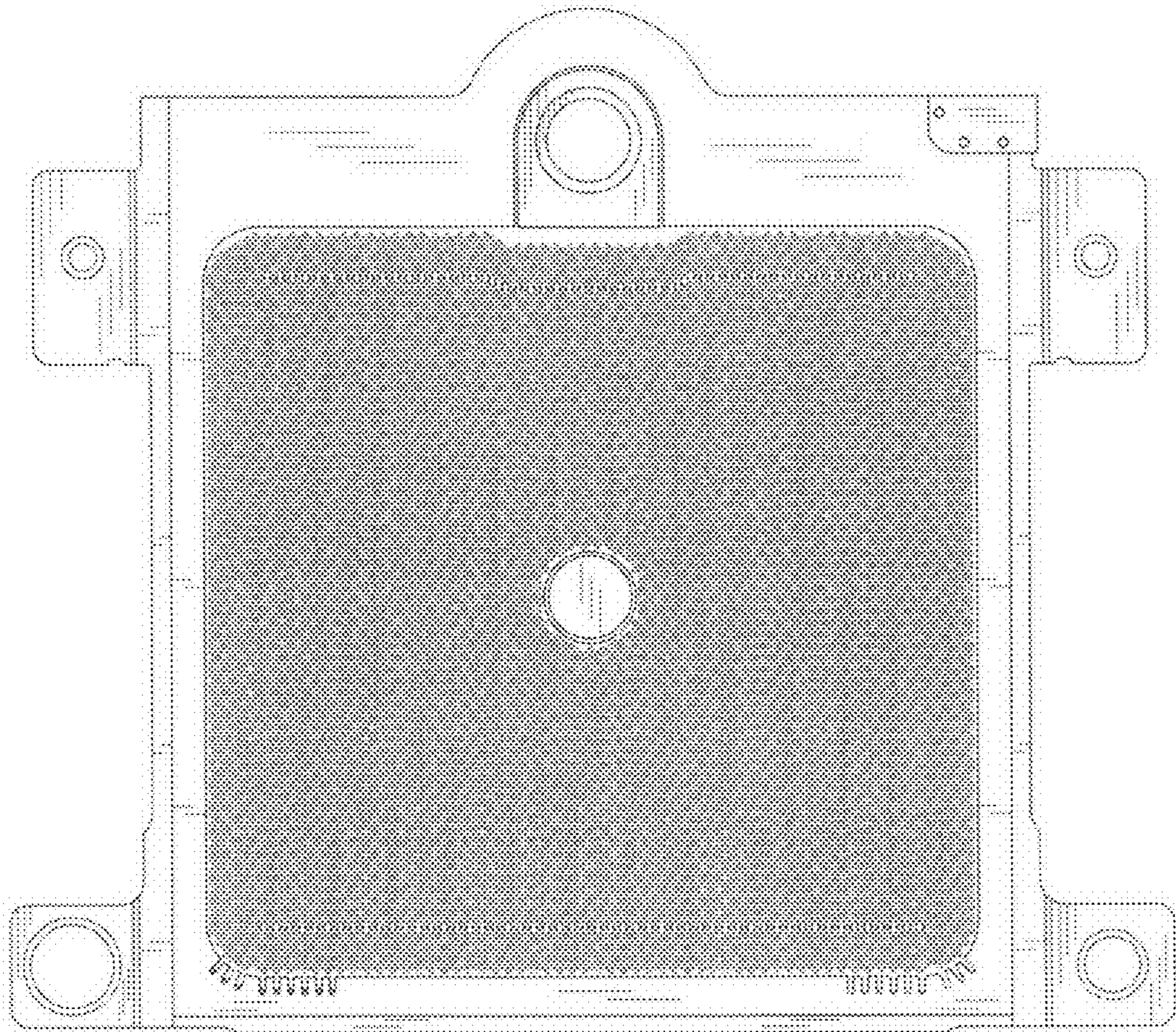


Fig.4



Fig.5



Fig.6

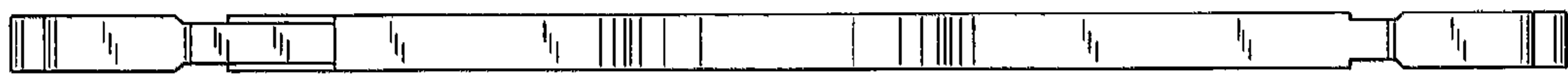


Fig.7

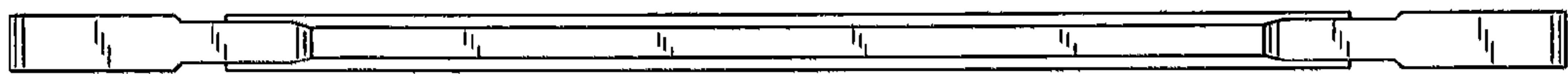


Fig.8

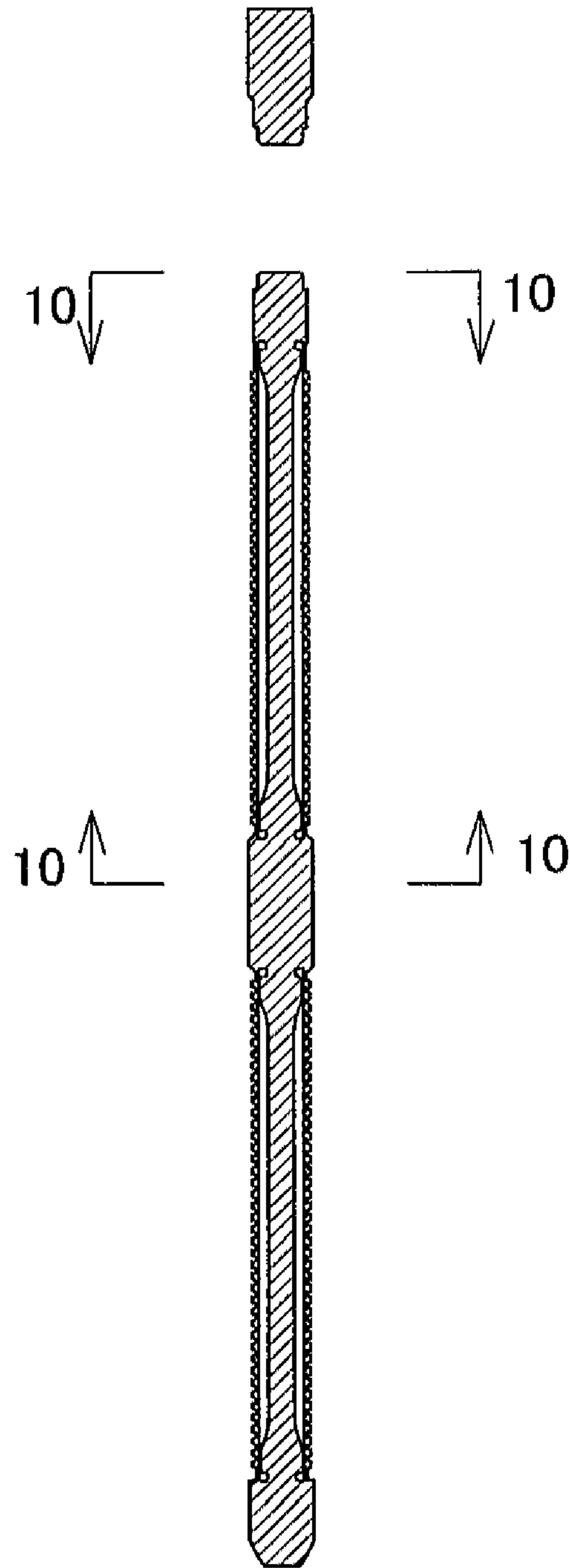


Fig. 9

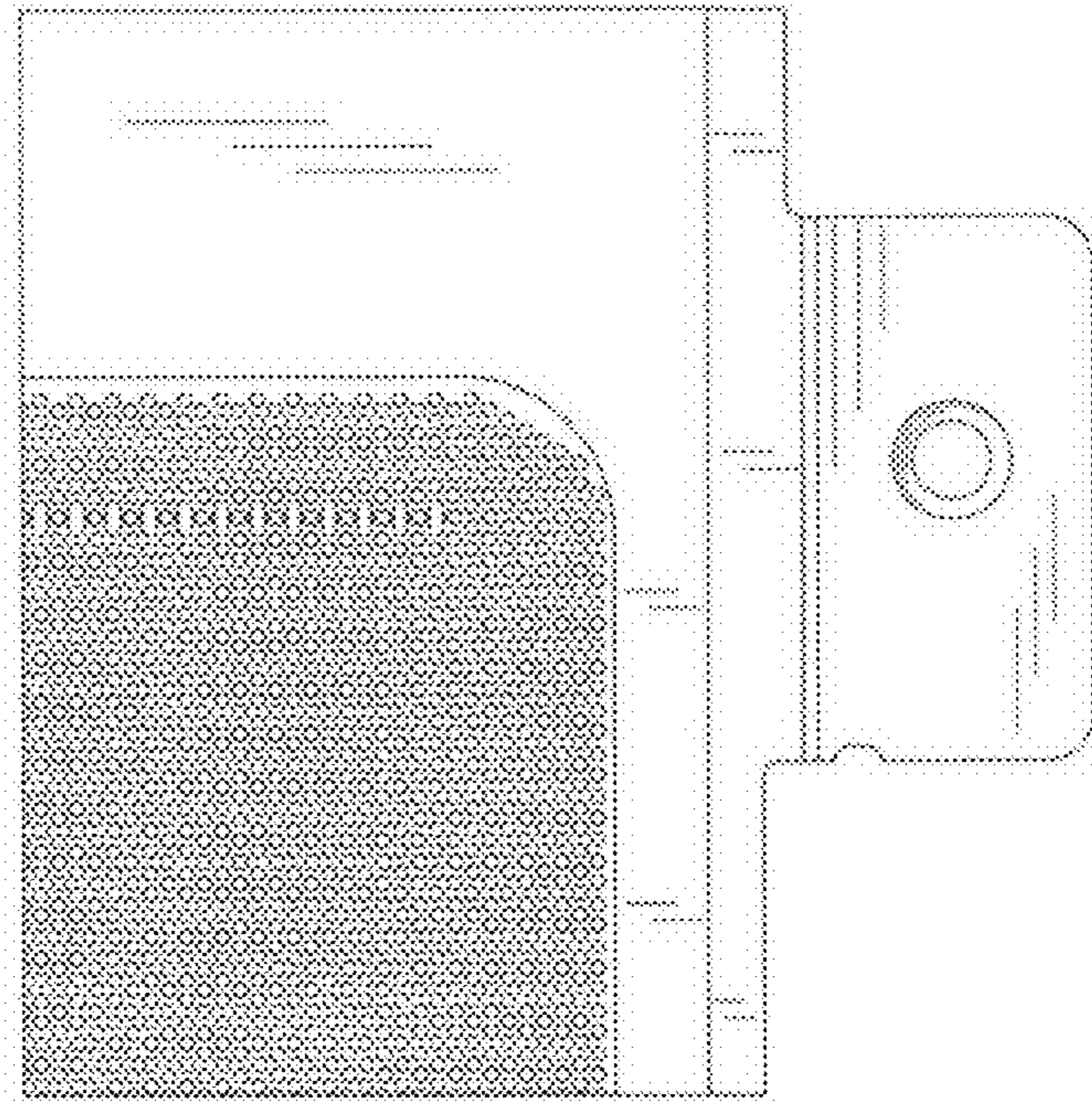


Fig. 10

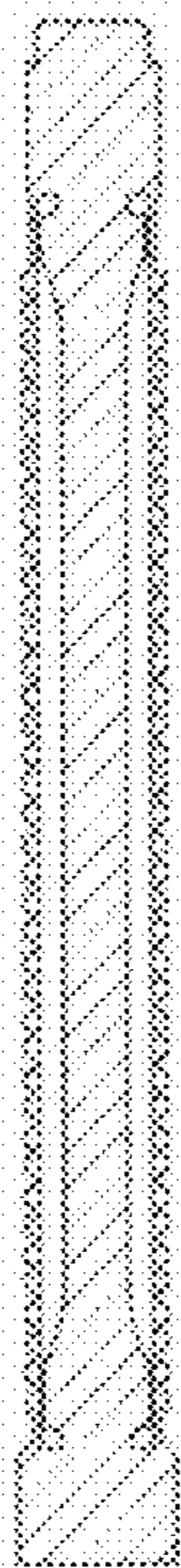


Fig. 11

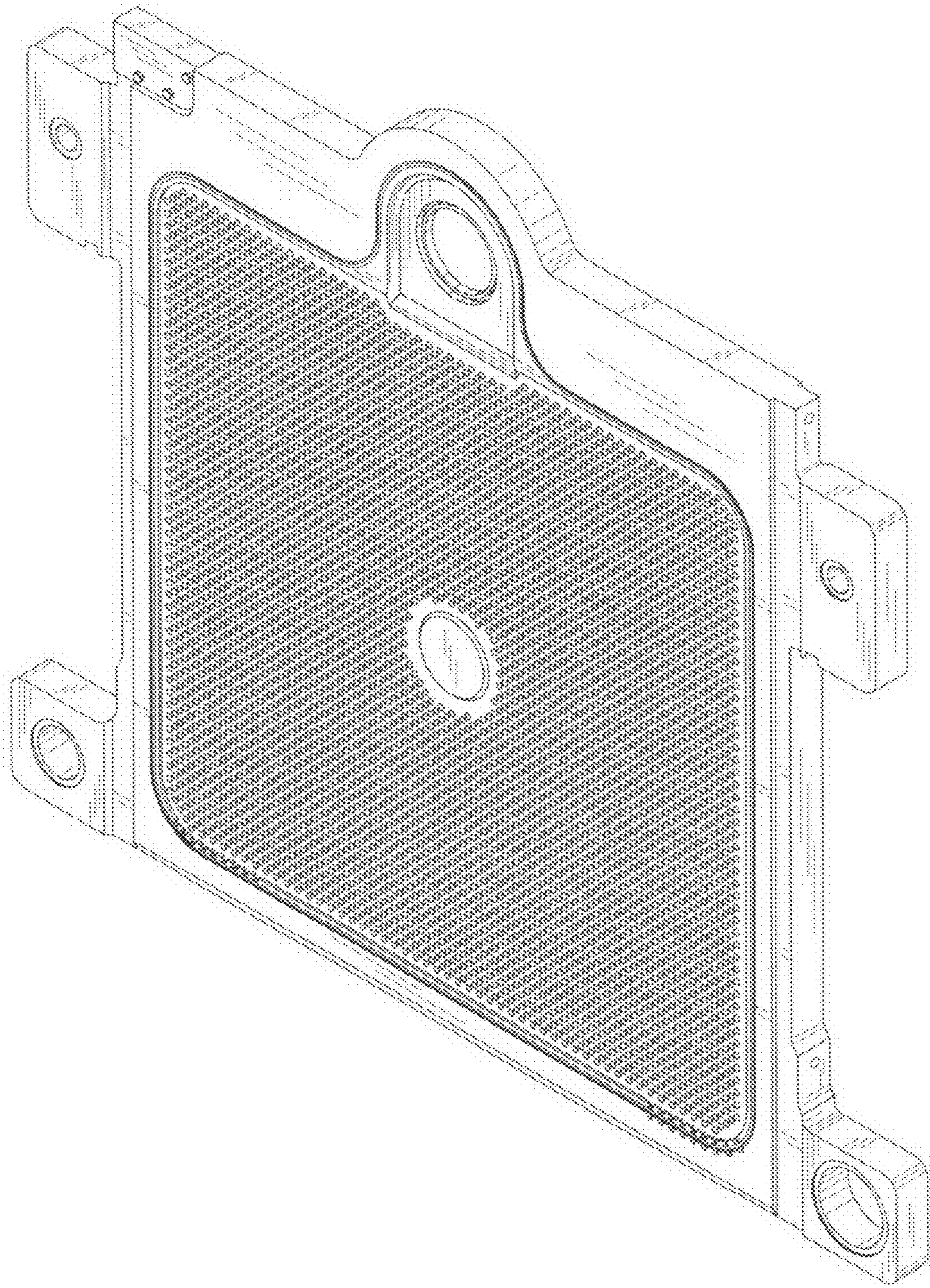


Fig.12

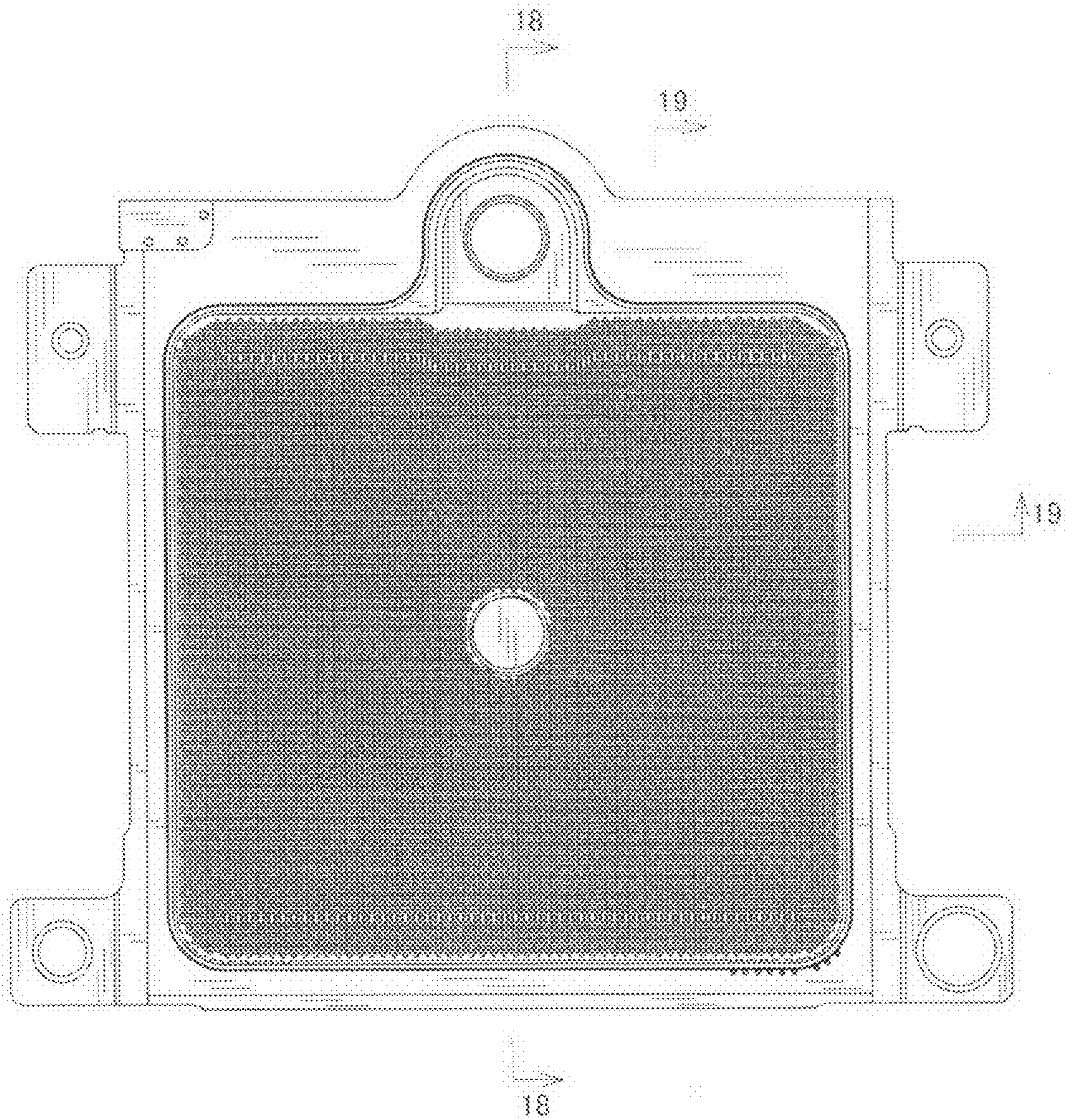


Fig. 13

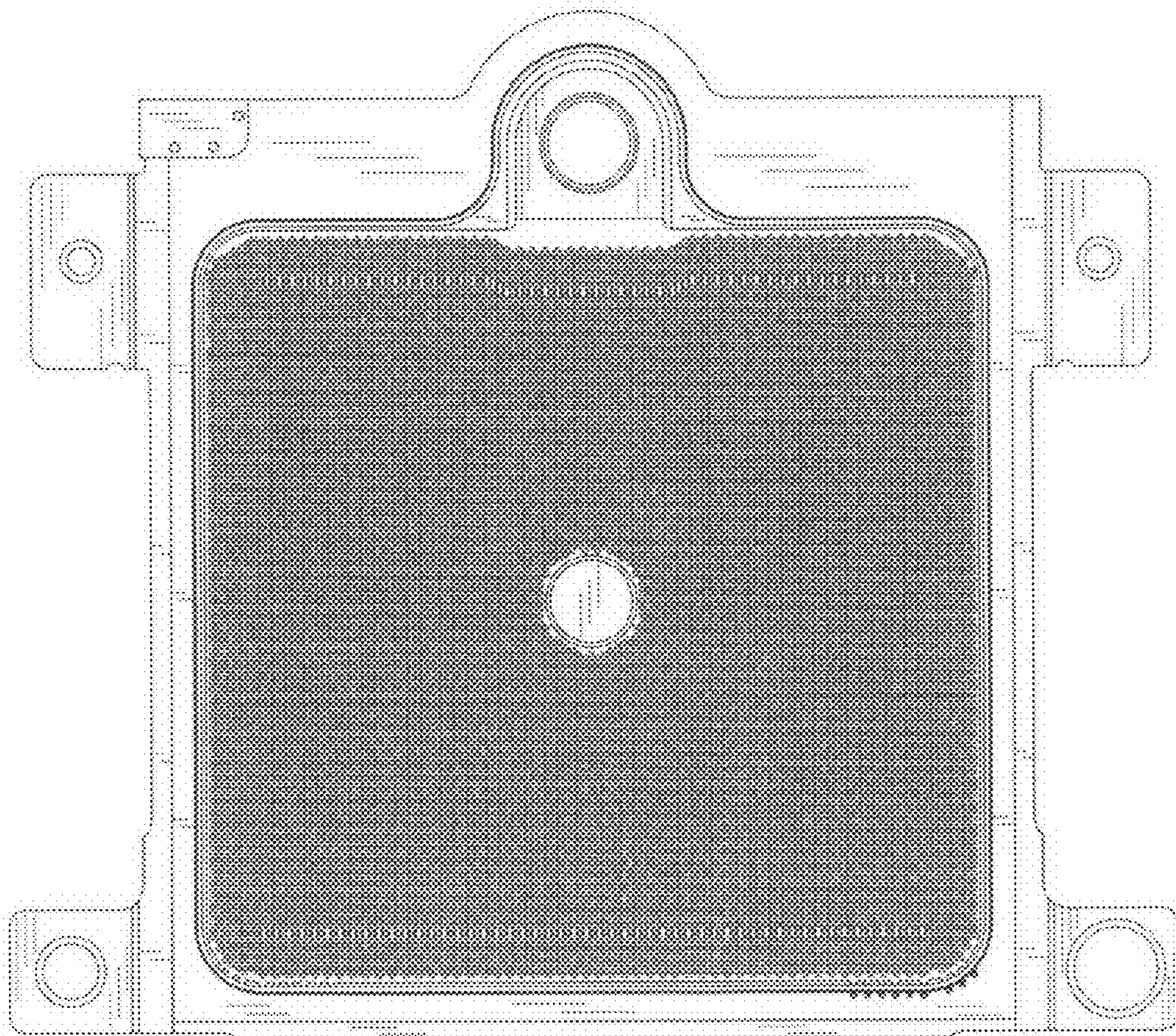


Fig. 14



Fig. 15



Fig.16

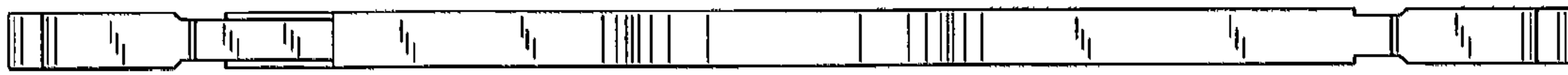


Fig.17

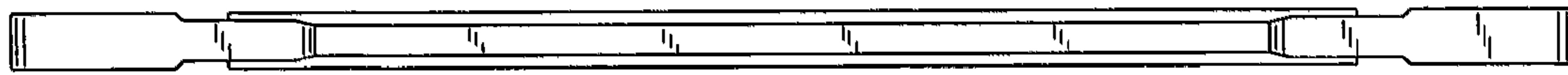


Fig. 18

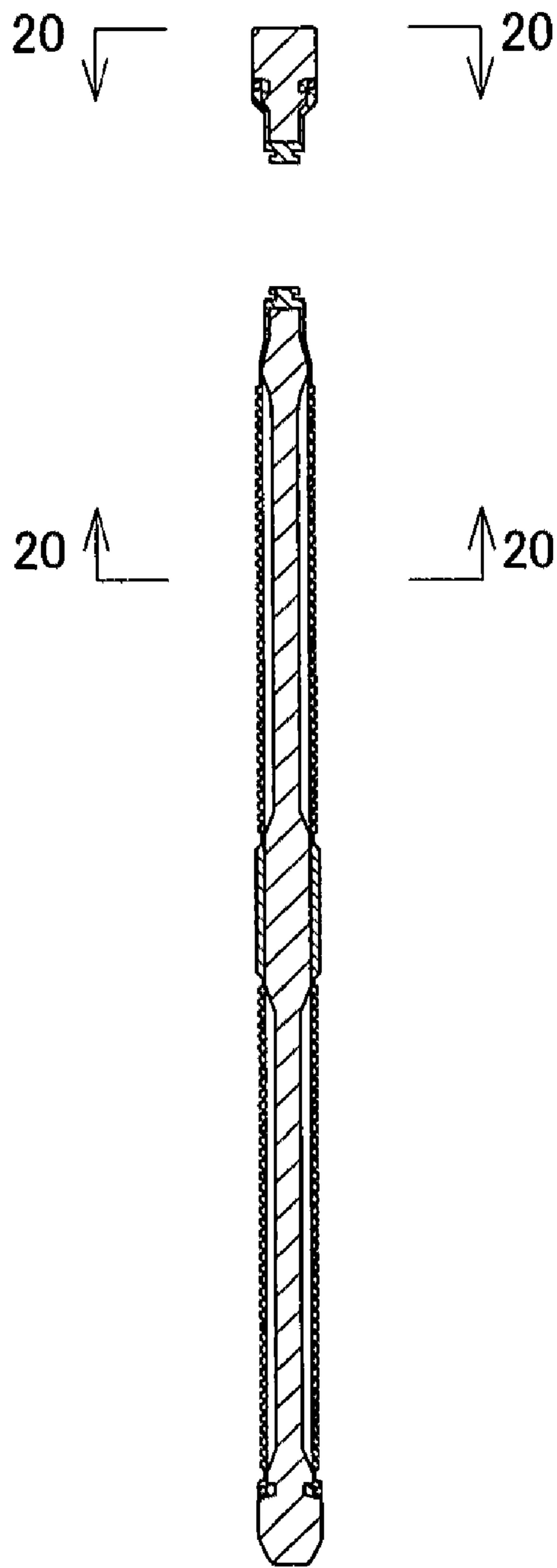


Fig.19

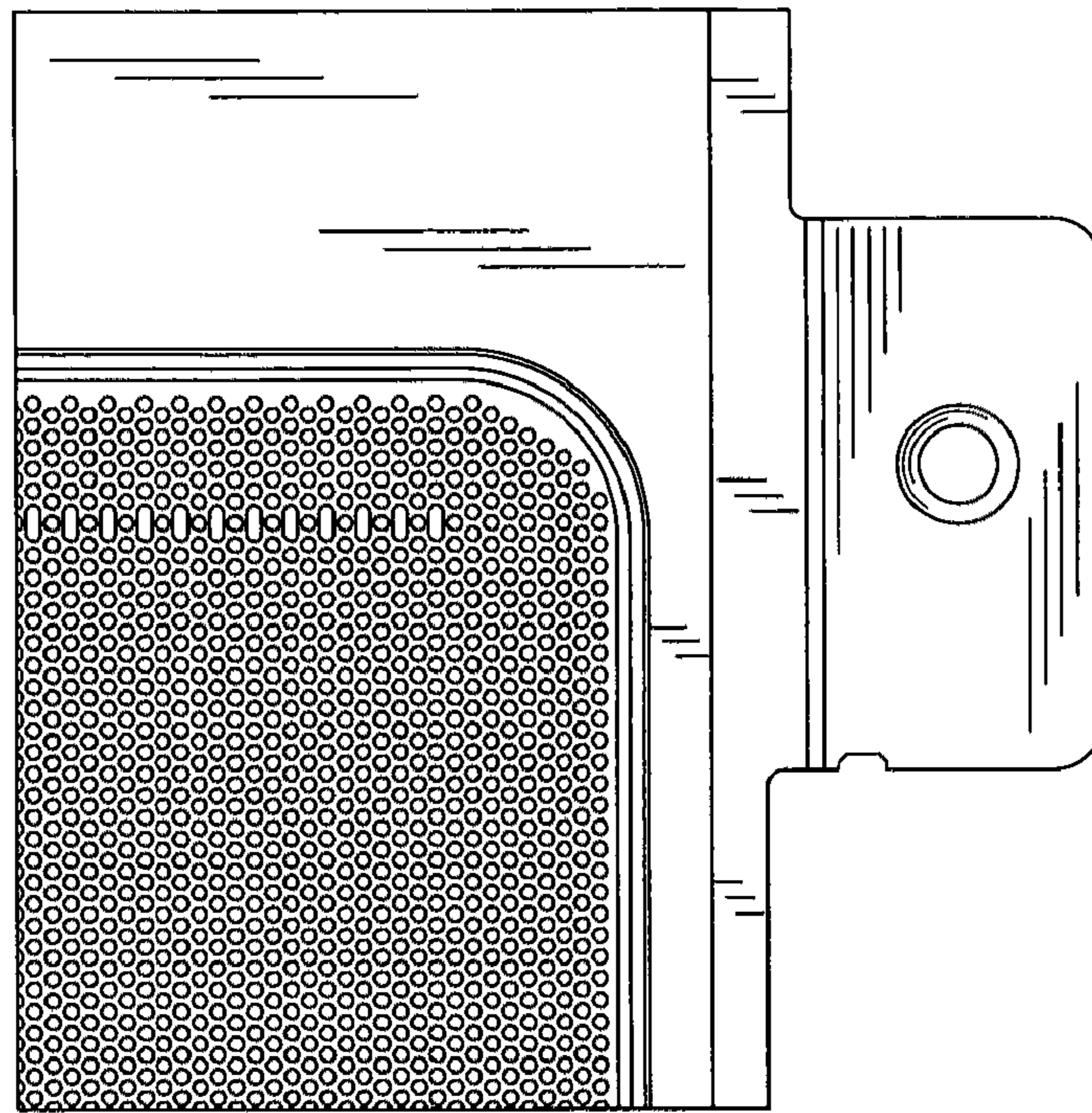


Fig.20

