



US00D655777S

(12) **United States Design Patent**
Burt

(10) **Patent No.:** **US D655,777 S**
(45) **Date of Patent:** **** Mar. 13, 2012**

(54) **BUTT PAD FOR FIREARM WITH ACCESSORY RAIL**

2009/0277066 A1 11/2009 Burt
* cited by examiner

(75) Inventor: **Eric Christopher Burt**, Broomfield, CO (US)

Primary Examiner — Michael Pratt
(74) *Attorney, Agent, or Firm* — Swanson & Bratschun, L.L.C.

(73) Assignee: **Magpul Industries Corporation**, Erie, CO (US)

(57) **CLAIM**
The ornamental design for a butt pad for firearm with accessory rail, as shown and described.

(**) Term: **14 Years**

DESCRIPTION

(21) Appl. No.: **29/383,003**

(22) Filed: **Jan. 11, 2011**

(51) **LOC (9) Cl.** **22-01**

(52) **U.S. Cl.** **D22/111; D22/108**

(58) **Field of Classification Search** D22/100, D22/101, 111, 103, 104, 108, 199; D21/572, D21/573; 42/51, 71.02, 73, 74, 75.01, 75.02; 89/40.06, 37.04, 33.04; 124/66, 67, 74
See application file for complete search history.

FIG. 1 is a right side elevation view of a butt pad for firearm with accessory rail attached to a butt stock of a rifle showing my new design;
FIG. 2 is a rear, bottom, right side perspective view of the butt pad for firearm with accessory rail of FIG. 1;
FIG. 3 is a right side elevation view of the butt pad for firearm with accessory rail of FIG. 1; the left side elevation view is a mirror image of FIG. 3;
FIG. 4 is a top plan view of the butt pad for firearm with accessory rail of FIG. 1;
FIG. 5 is a bottom plan view of the butt pad for firearm with accessory rail of FIG. 1;
FIG. 6 is a rear elevation view of the butt pad for firearm with accessory rail of FIG. 1; and,
FIG. 7 is a front elevation view of the butt pad for firearm with accessory rail of FIG. 1.

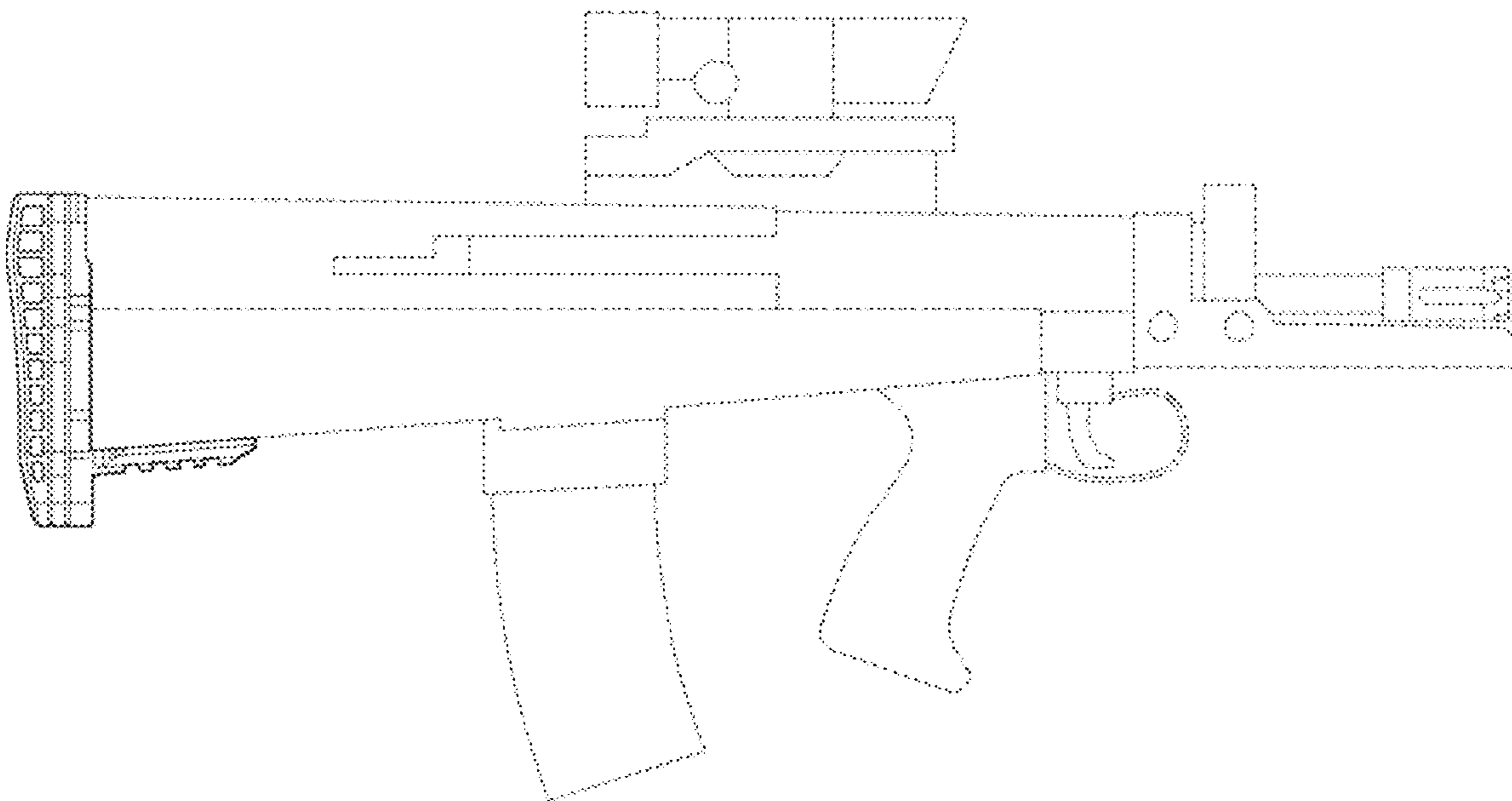
The broken lines showing portions of the design in all figures is included for the purpose of illustrating environment or unclaimed features and forms not part of the claimed design.

(56) **References Cited**

U.S. PATENT DOCUMENTS

1,861,234	A *	5/1932	Knight	42/74
D162,216	S *	2/1951	Pachmayr	D22/111
D192,922	S *	5/1962	Pachmayr	D22/111
3,160,976	A *	12/1964	Pachmayr	42/74
3,208,180	A *	9/1965	Woodcock	42/74
D620,546	S	7/2010	Fitzpatrick		
D622,802	S	8/2010	Fitzpatrick		

1 Claim, 6 Drawing Sheets



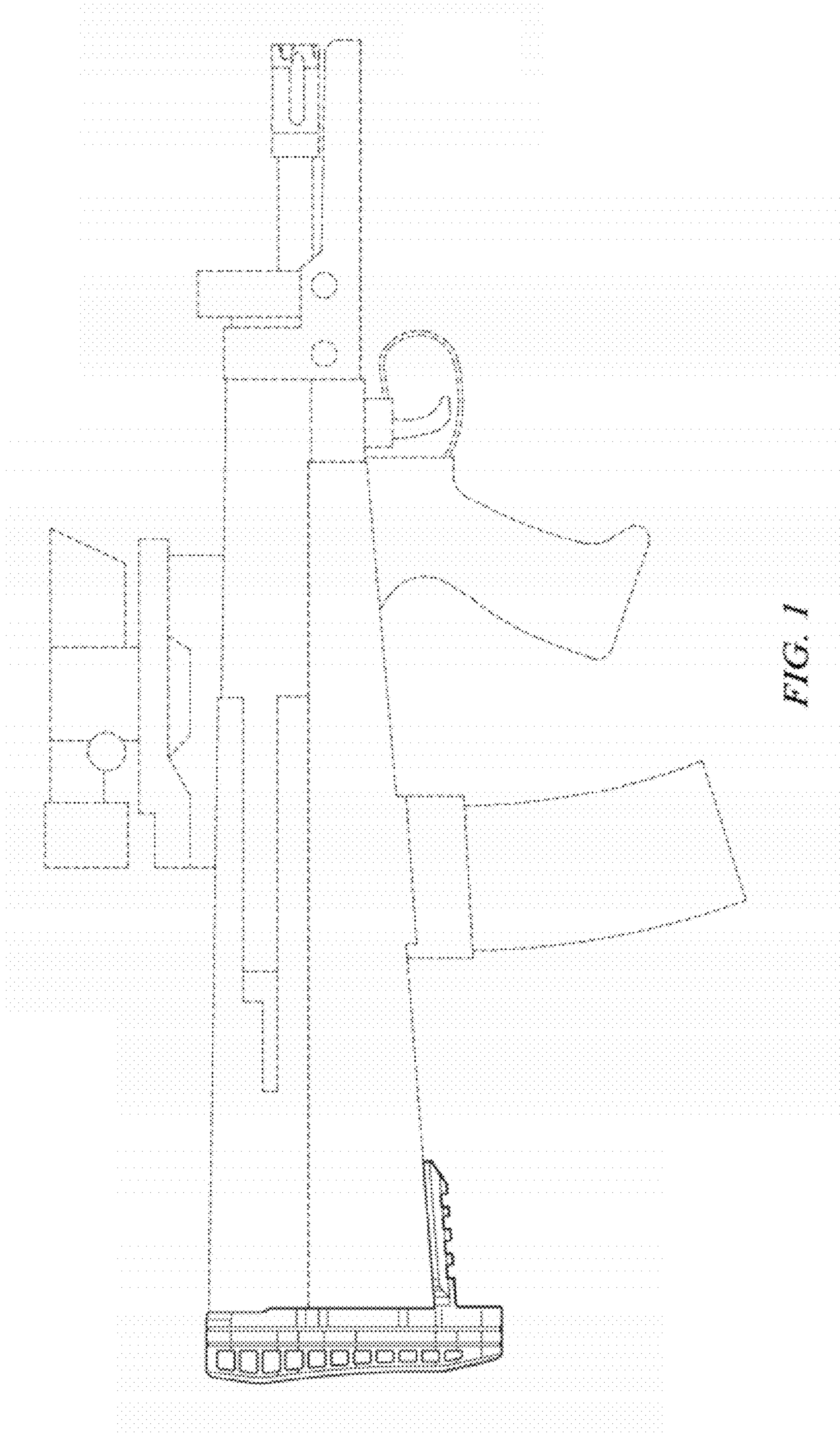


FIG. 1

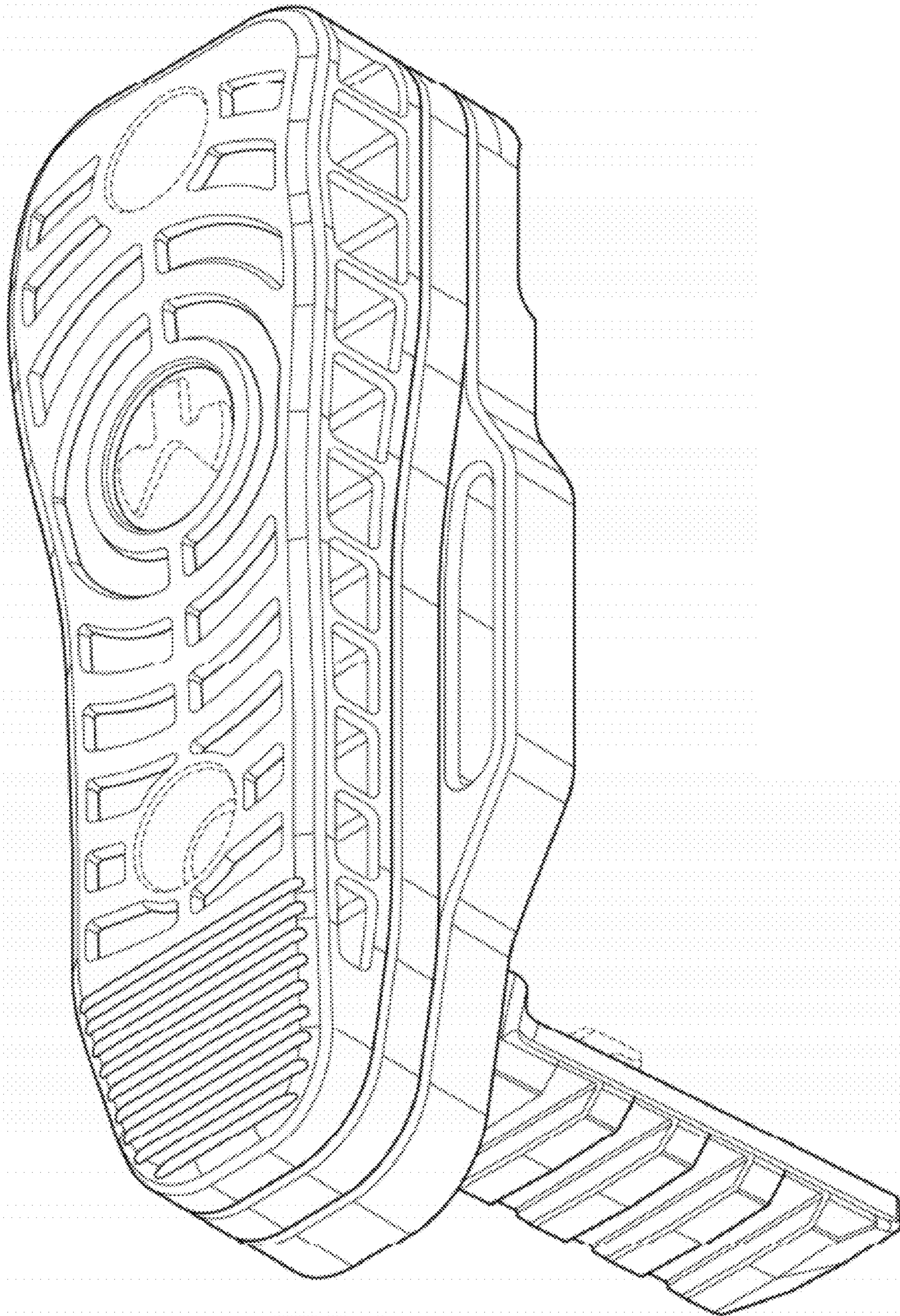


FIG. 2

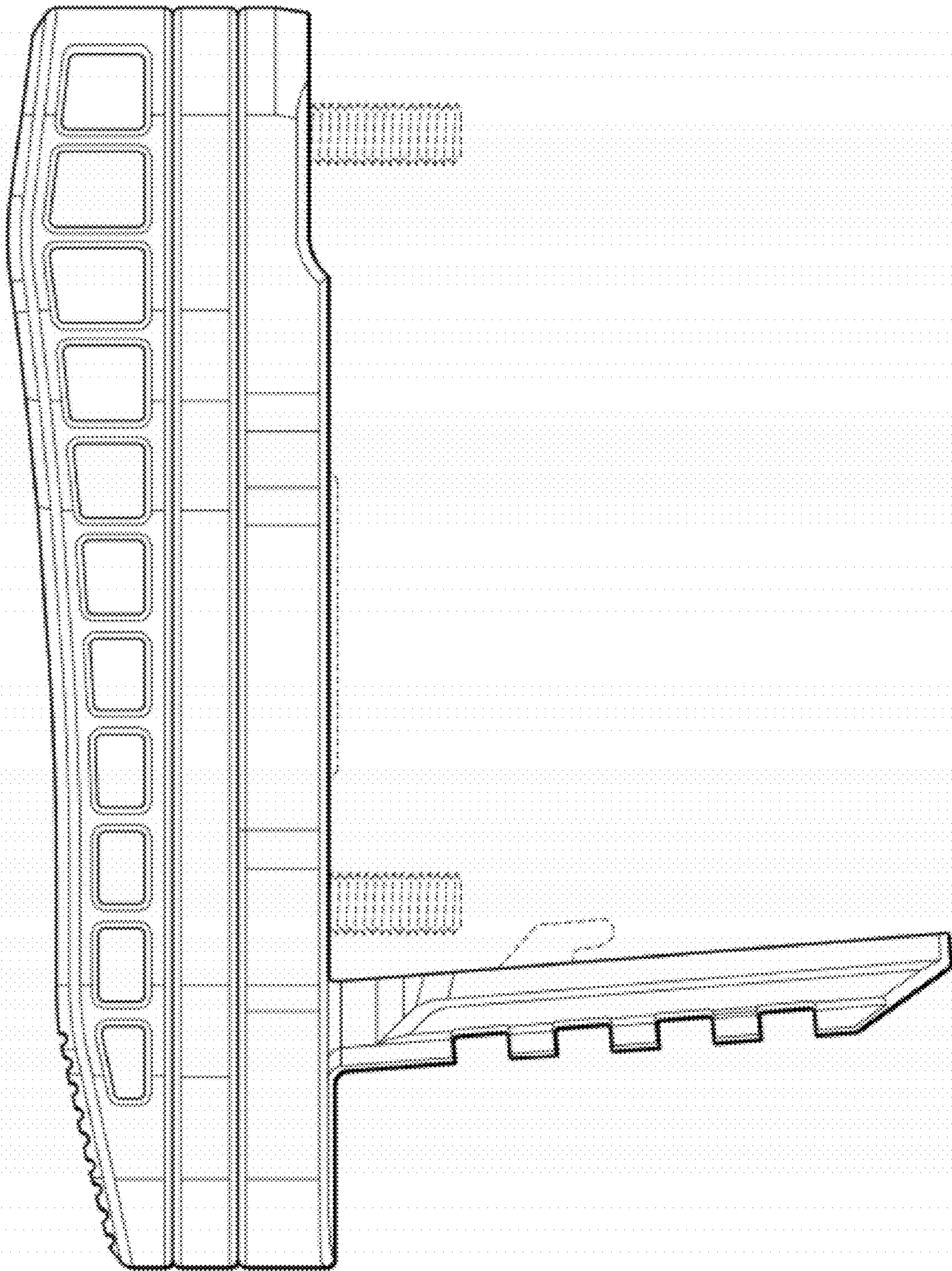


FIG. 3

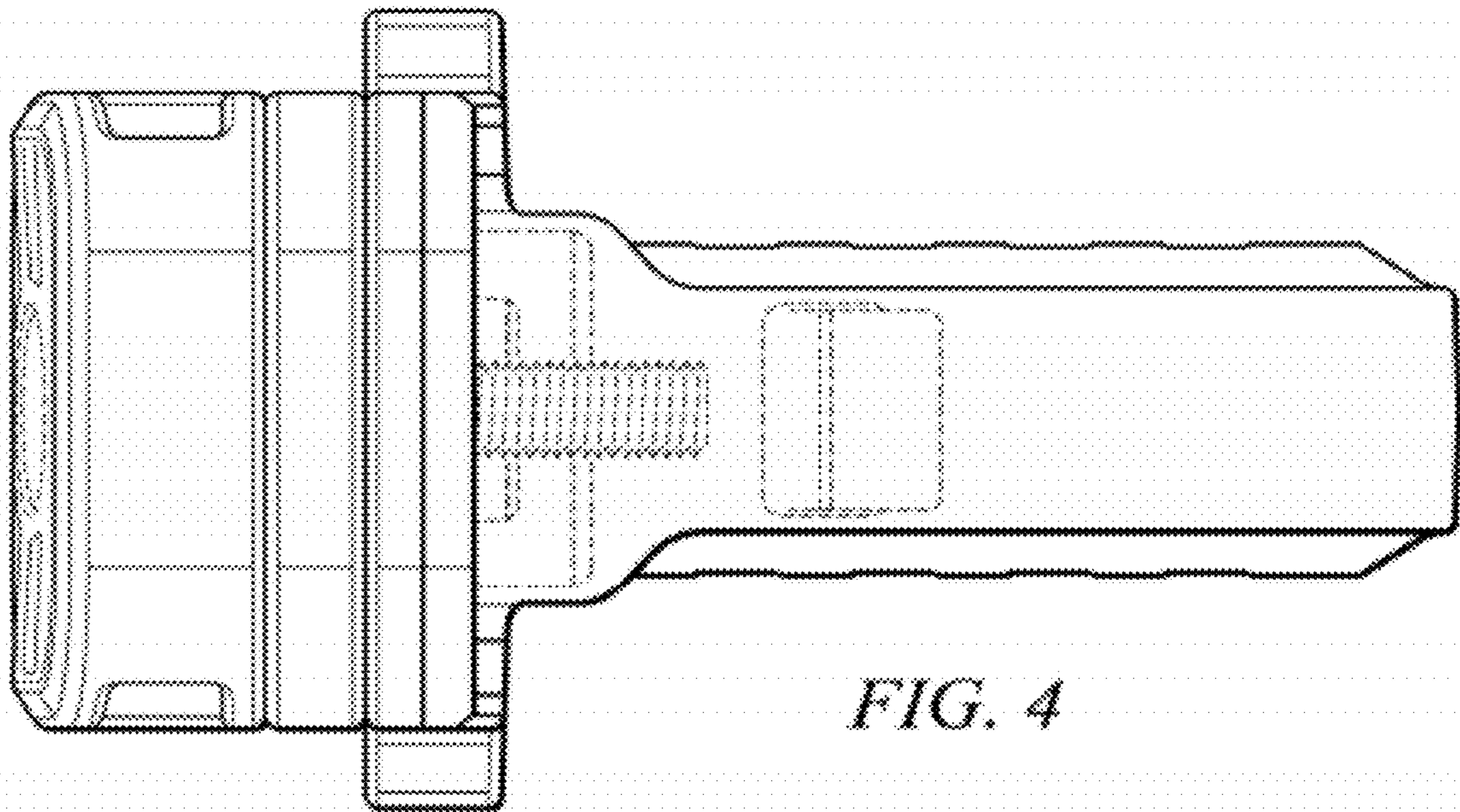


FIG. 4

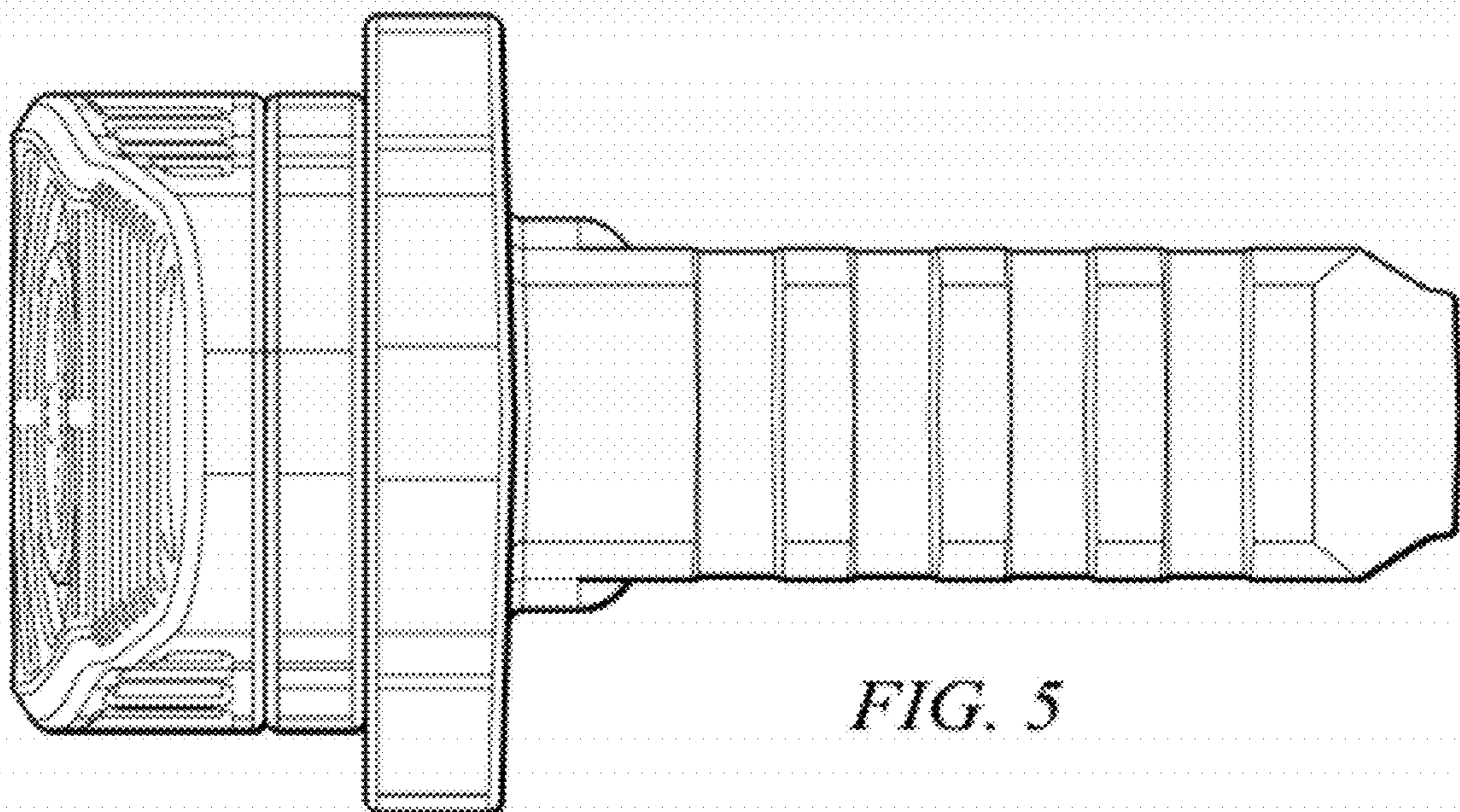


FIG. 5

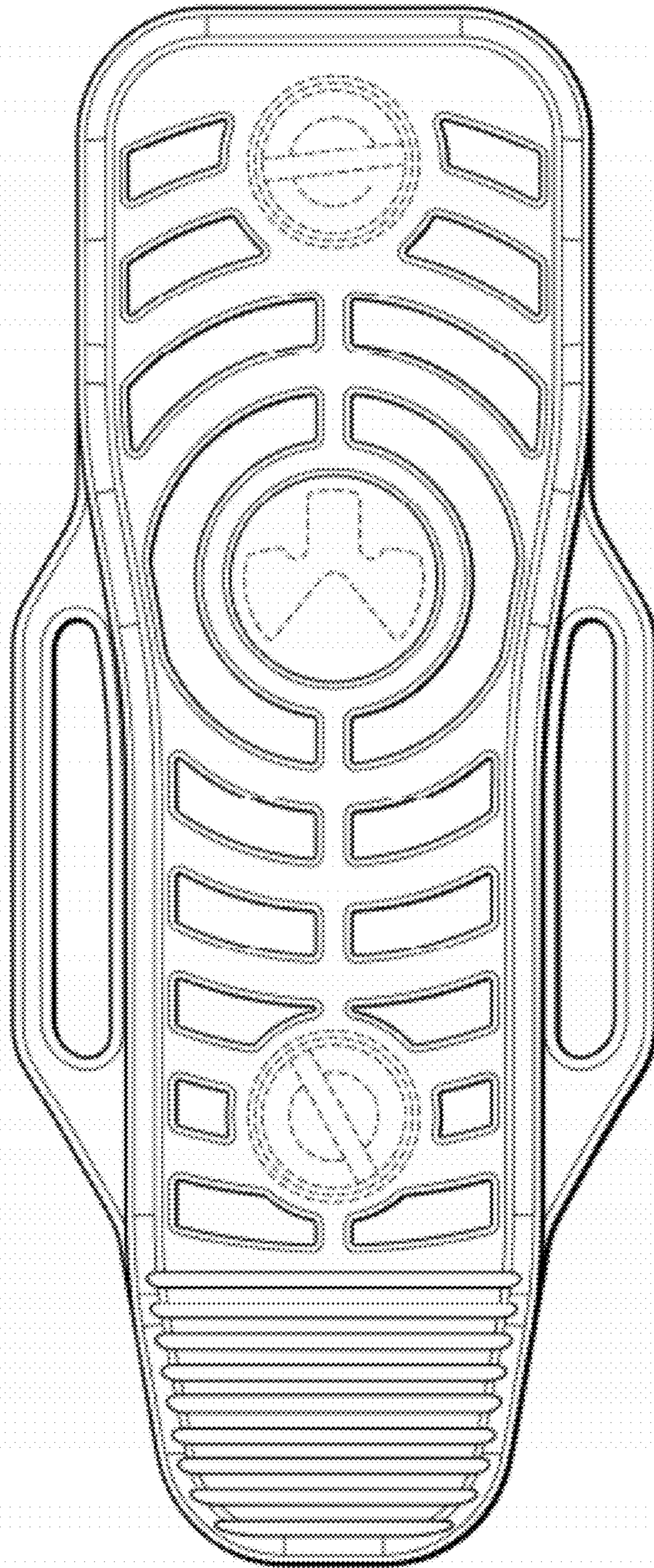


FIG. 6

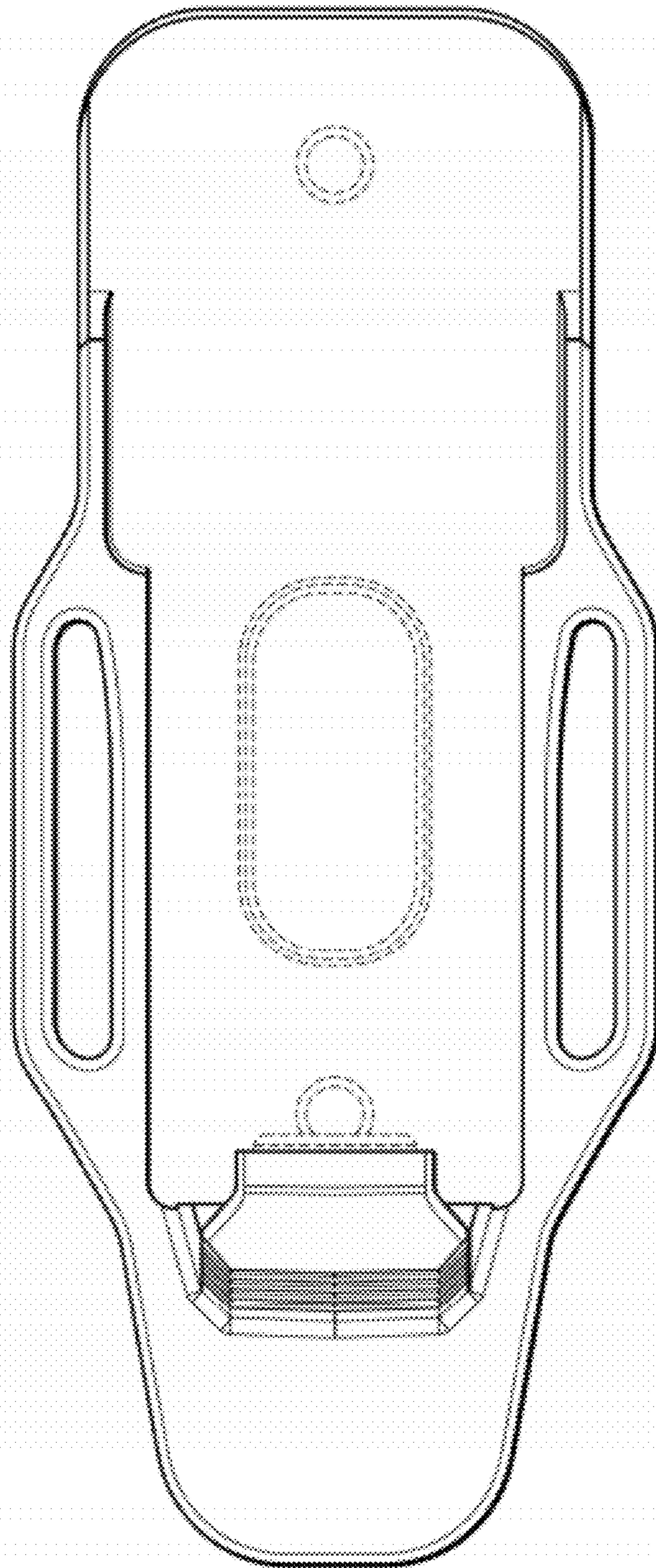


FIG. 7