



US00D655774S

(12) **United States Design Patent**  
**Novak**

(10) **Patent No.:** **US D655,774 S**  
(45) **Date of Patent:** **\*\* Mar. 13, 2012**

(54) **REMOVABLE PRIVACY COVERING FOR UMBRELLA**

(76) Inventor: **Dan Novak**, Santa Rosa, CA (US)

(\*\*) Term: **14 Years**

(21) Appl. No.: **29/382,642**

(22) Filed: **Jan. 5, 2011**

(51) **LOC (9) Cl.** ..... **21-04**

(52) **U.S. Cl.** ..... **D21/839; D3/10**

(58) **Field of Classification Search** ..... D21/834,  
D21/837, 839; D3/5, 10; D25/16, 56; 135/95,  
135/98, 99, 100, 114-119, 123, 125, 126,  
135/143, 152, 154

See application file for complete search history.

(56) **References Cited**

**U.S. PATENT DOCUMENTS**

|           |     |         |                |       |         |
|-----------|-----|---------|----------------|-------|---------|
| 941,458   | A * | 11/1909 | Leach          | ..... | 135/98  |
| 1,774,909 | A * | 9/1930  | Wells          | ..... | 135/98  |
| 2,113,118 | A * | 4/1938  | Pyatt          | ..... | 135/123 |
| 2,221,366 | A * | 11/1940 | Bisbing et al. | ..... | 135/16  |
| 2,863,467 | A * | 12/1958 | Hearell        | ..... | 135/118 |
| 2,967,534 | A * | 1/1961  | Silye          | ..... | 135/143 |
| 3,151,621 | A * | 10/1964 | Jackson        | ..... | D3/10   |
| 3,169,543 | A * | 2/1965  | McGerty        | ..... | 135/152 |
| 3,419,024 | A * | 12/1968 | Nickerson, Jr. | ..... | 135/98  |
| 3,477,453 | A * | 11/1969 | Ulisse et al.  | ..... | 135/95  |
| 3,570,507 | A * | 3/1971  | Kashuba        | ..... | 135/123 |

|              |      |         |                |       |         |
|--------------|------|---------|----------------|-------|---------|
| 4,086,931    | A *  | 5/1978  | Hall           | ..... | 135/98  |
| 4,449,542    | A *  | 5/1984  | McSwain et al. | ..... | 135/98  |
| D294,538     | S *  | 3/1988  | De Marr        | ..... | D3/5    |
| D373,403     | S *  | 9/1996  | Hall           | ..... | D25/16  |
| 5,678,587    | A *  | 10/1997 | Bilotti        | ..... | 135/98  |
| 5,806,547    | A *  | 9/1998  | Derlinga       | ..... | 135/117 |
| 6,088,953    | A *  | 7/2000  | Morgan         | ..... | 135/126 |
| 6,698,440    | B2 * | 3/2004  | Beyer et al.   | ..... | 135/98  |
| D499,880     | S *  | 12/2004 | Wright         | ..... | D3/5    |
| D581,121     | S *  | 11/2008 | Austin et al.  | ..... | D32/60  |
| 8,042,561    | B2 * | 10/2011 | Varga et al.   | ..... | 135/16  |
| 2007/0006908 | A1 * | 1/2007  | Arlis          | ..... | 135/98  |

\* cited by examiner

*Primary Examiner* — Cynthia M Chin

(57) **CLAIM**

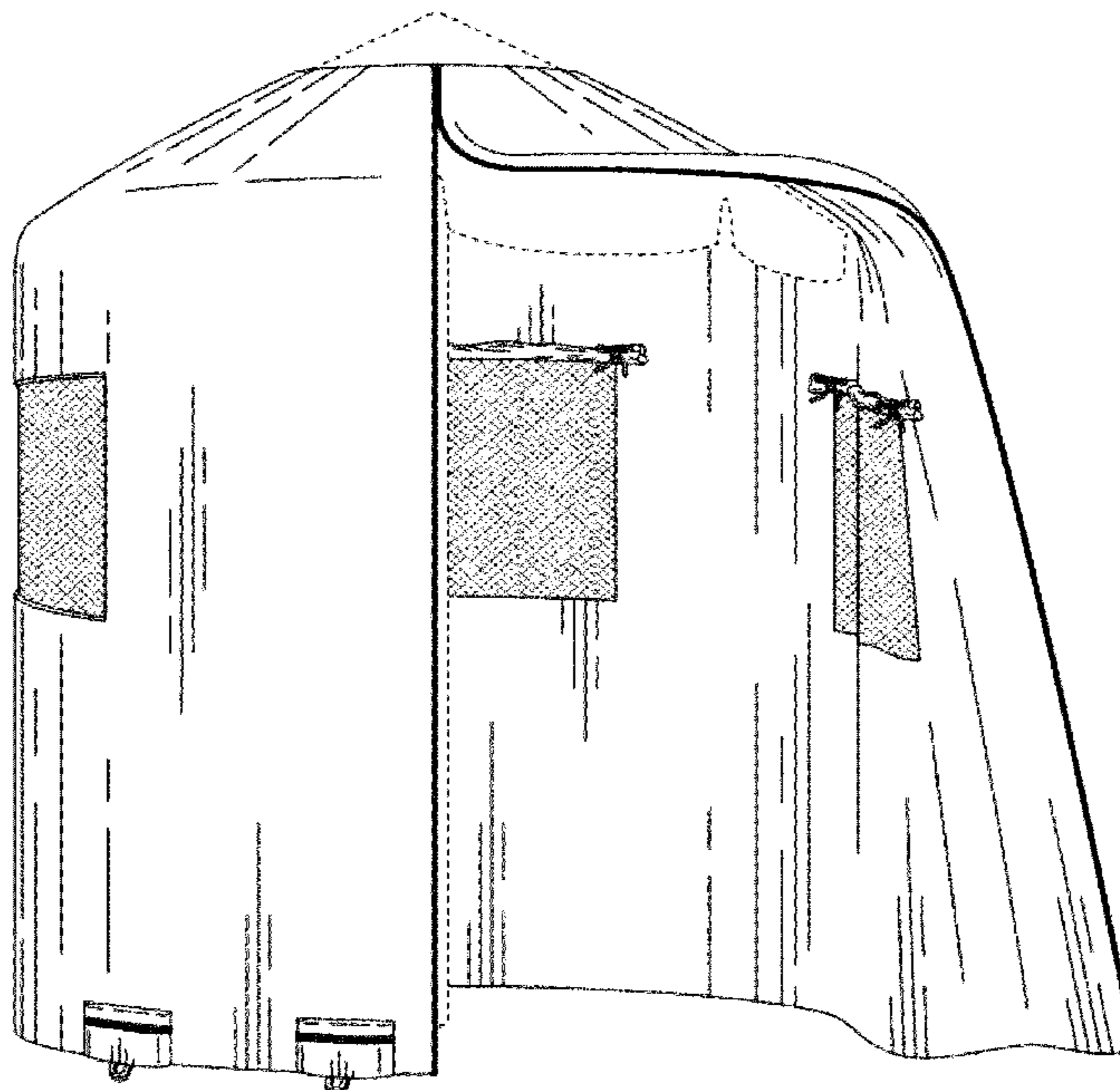
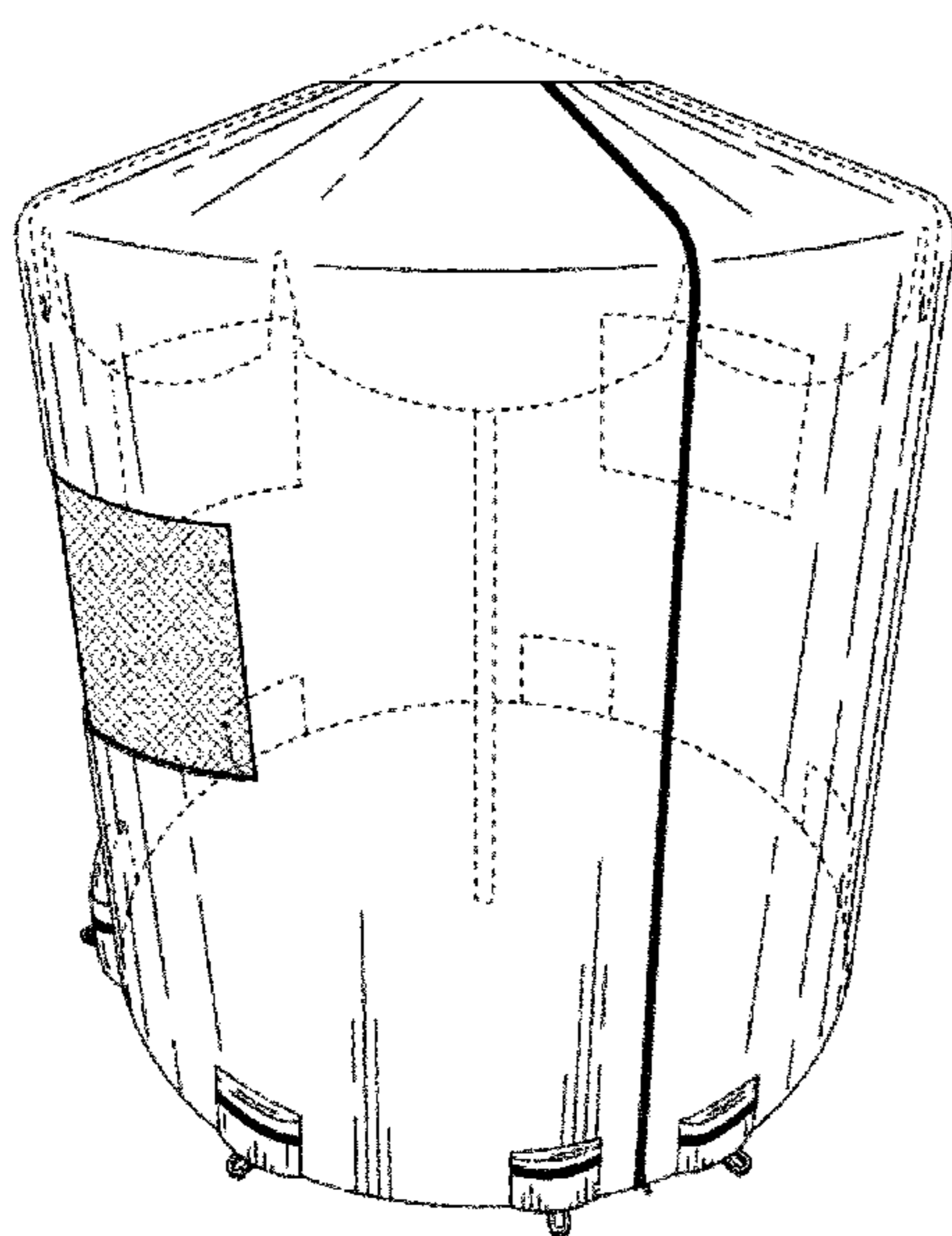
The ornamental design for a removable privacy covering for an umbrella, as shown and described.

**DESCRIPTION**

FIG. 1 is a top view thereof; and  
FIG. 2 is a left side view thereof; and  
FIG. 3 is a right side view thereof; and  
FIG. 4 is a frontal perspective view thereof wherein the opening is in a closed position; and,  
FIG. 5 is a front view thereof wherein the opening is in an open position.

The broken lines showing of parts of the drawings is included for the purpose of illustrating use and environment and forms no part of the claimed design.

**1 Claim, 3 Drawing Sheets**



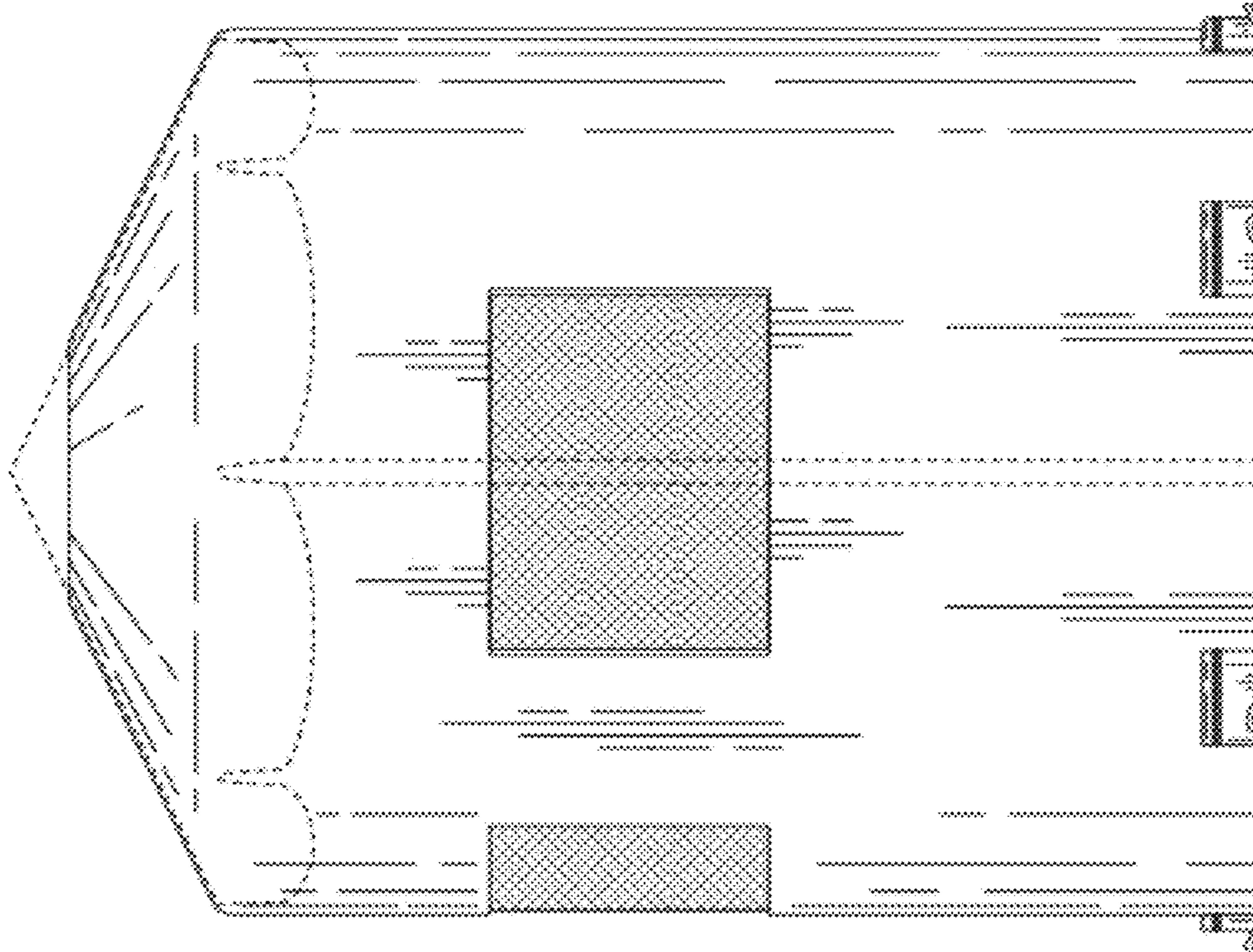


FIG. 2

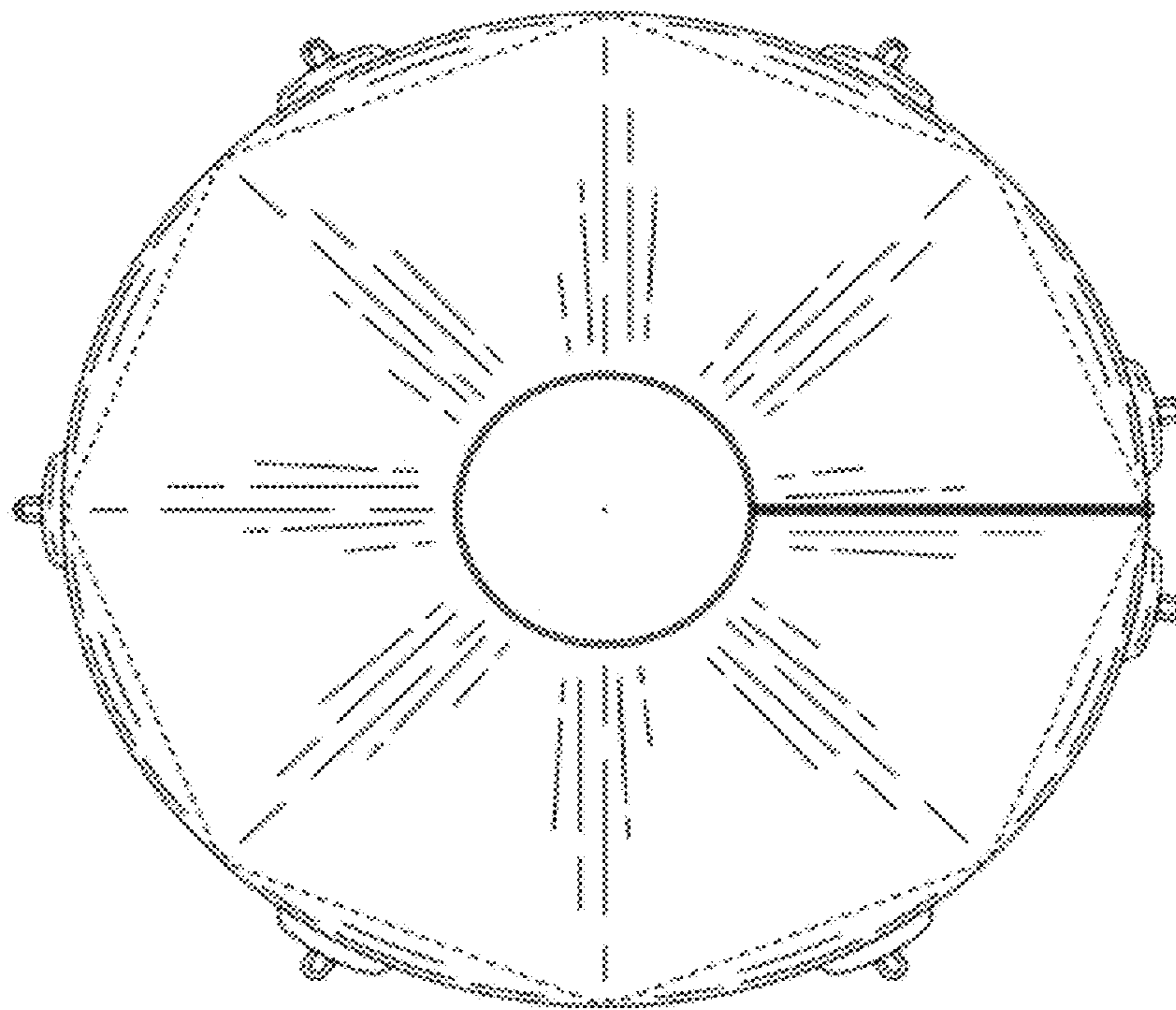


FIG. 1

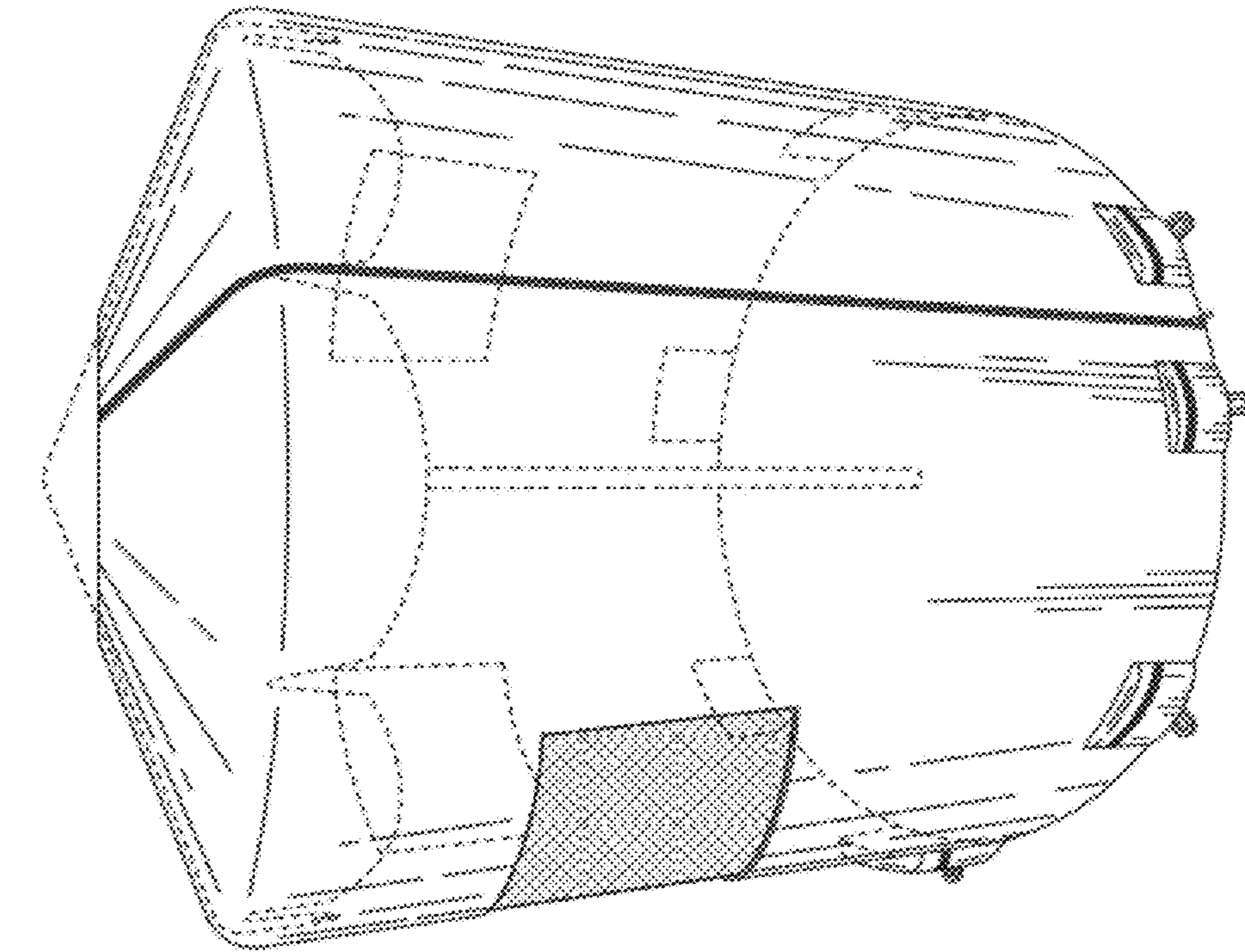


FIG. 4

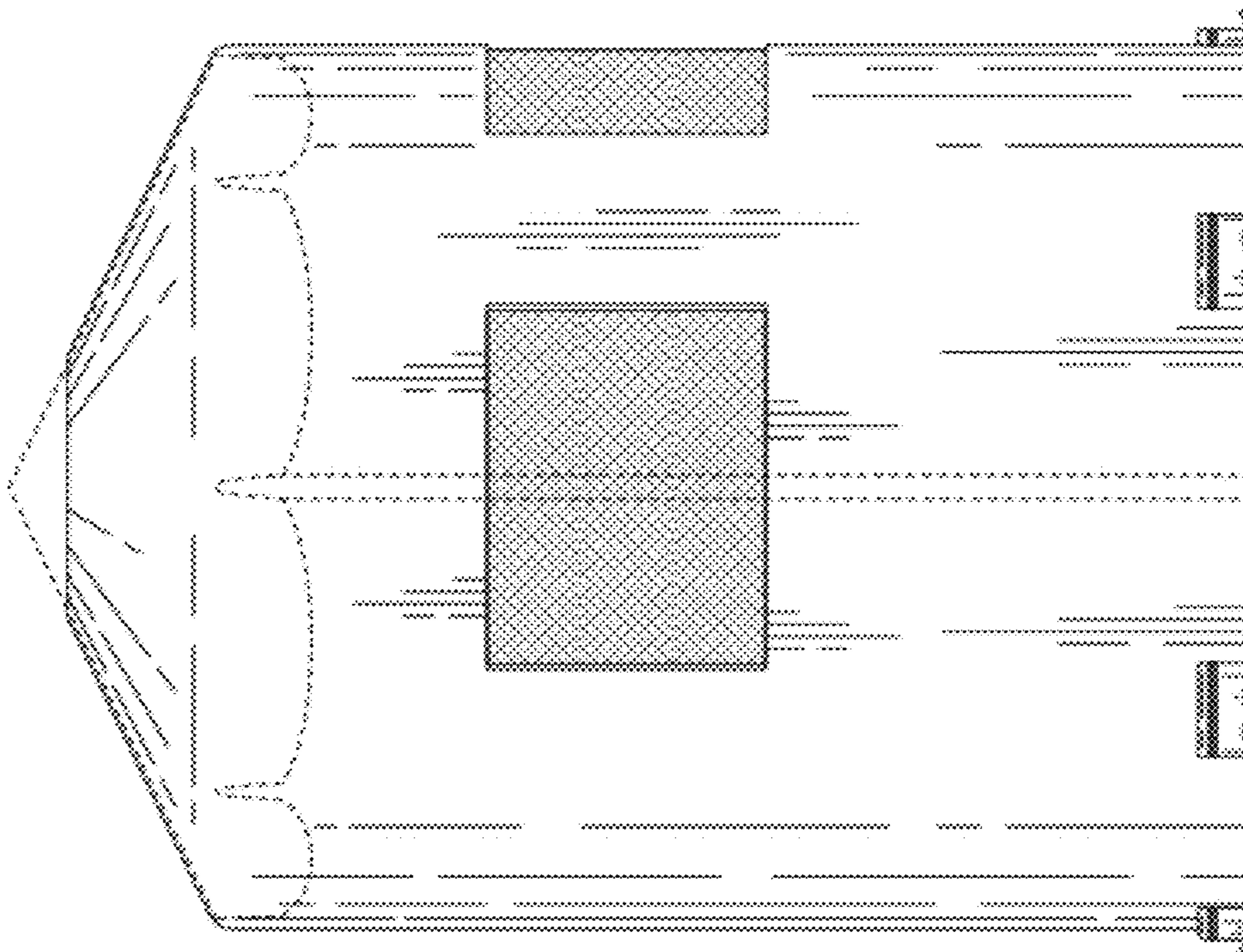


FIG. 3

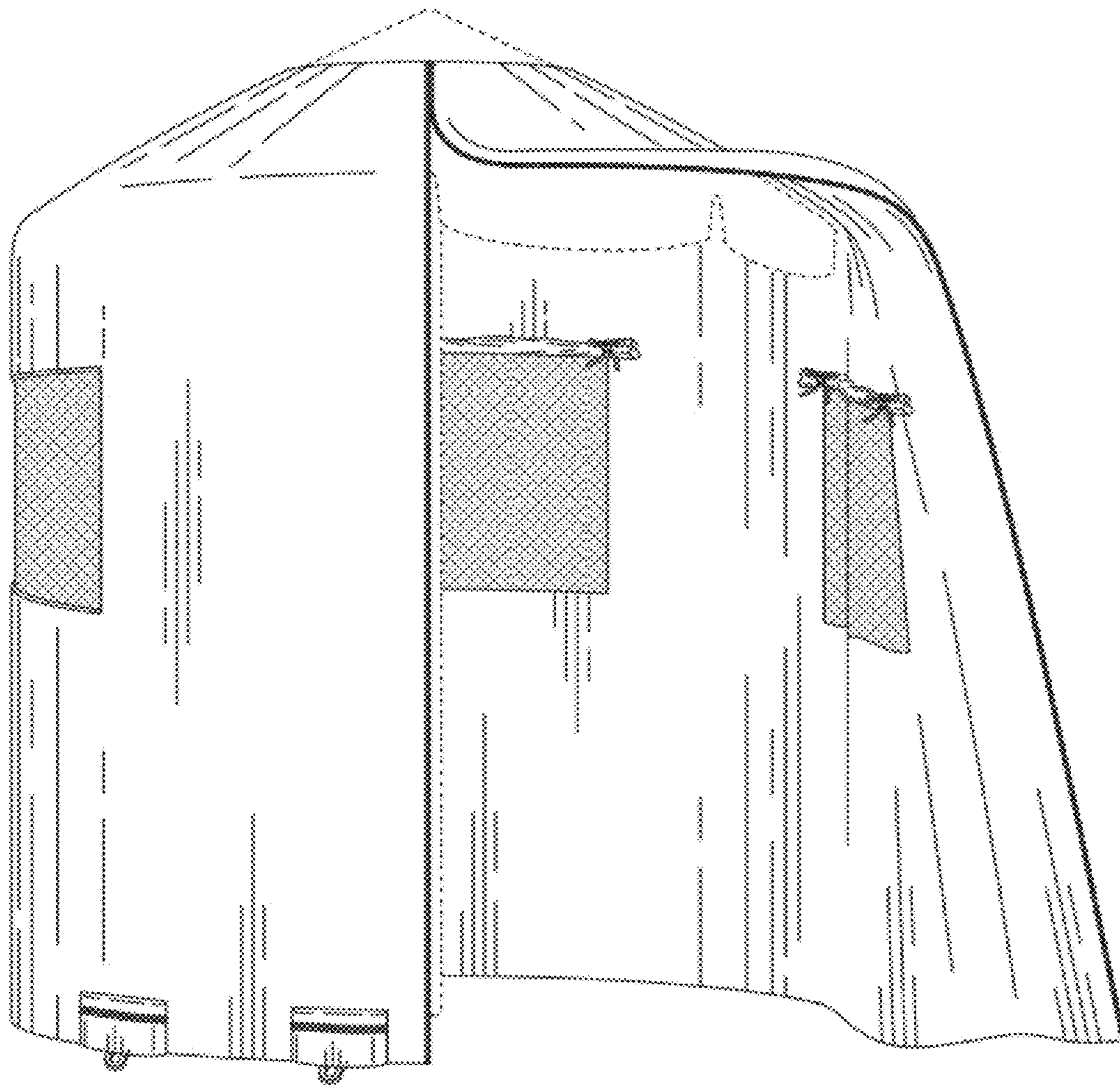


FIG. 5