



US00D655771S

(12) **United States Design Patent**  
**Thompson et al.**

(10) **Patent No.:** **US D655,771 S**  
(45) **Date of Patent:** **\*\* Mar. 13, 2012**

(54) **KNOB OF A BALL BAT**

(75) Inventors: **John Thompson**, Portland, OR (US);  
**Glen Mason**, Hillsboro, OR (US)

(73) Assignee: **Wilson Sporting Goods Co.**, Chicago, IL (US)

(\*\*) Term: **14 Years**

(21) Appl. No.: **29/391,350**

(22) Filed: **May 6, 2011**

(51) **LOC (9) Cl.** ..... **21-02**

(52) **U.S. Cl.** ..... **D21/753**

(58) **Field of Classification Search** ..... D21/725,  
D21/753; 473/564–568  
See application file for complete search history.

(56) **References Cited**

**U.S. PATENT DOCUMENTS**

D194,322 S	1/1963	Weinstein	.....	D34/5
5,421,572 A	6/1995	MacKay, Jr.	.....	473/566
5,931,750 A	8/1999	MacKay, Jr.	.....	473/566
6,443,860 B1 *	9/2002	Byrne et al.	.....	473/568
6,821,218 B2 *	11/2004	Byrne et al.	.....	473/568
6,869,373 B1 *	3/2005	Byrne et al.	.....	473/568
D523,105 S *	6/2006	Bernacchi et al.	.....	D21/753
7,232,387 B1	6/2007	Heald et al.	.....	473/566
7,232,388 B2	6/2007	Sutherland et al.	.....	473/567
D558,279 S	12/2007	Chen	.....	D21/572

7,419,446 B2	9/2008	Nguyen	.....	473/567
D600,296 S	9/2009	Chen	.....	D21/752
D600,758 S *	9/2009	Sutherland et al.	.....	D21/725
7,604,184 B1	10/2009	Chen	.....	239/289
D620,062 S	7/2010	Thompson et al.	.....	D21/753
D622,794 S	8/2010	Thompson et al.	.....	D21/753

\* cited by examiner

*Primary Examiner* — Mitchell Siegel

(74) *Attorney, Agent, or Firm* — Terence P. O'Brien

(57) **CLAIM**

We claim the ornamental design for a knob of a ball bat, as shown and described.

**DESCRIPTION**

FIG. 1 is a side, end perspective view of a knob of a ball bat of the present design;

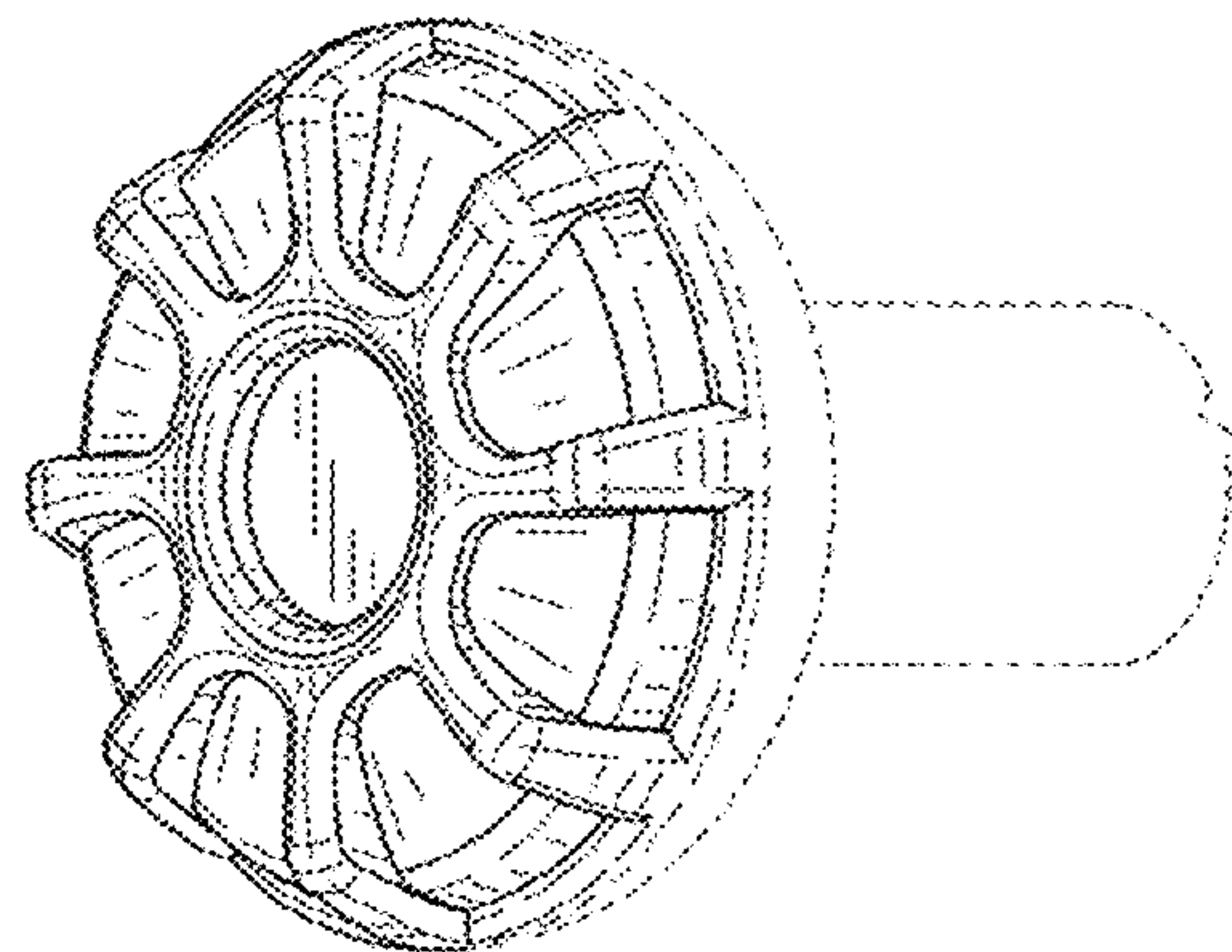
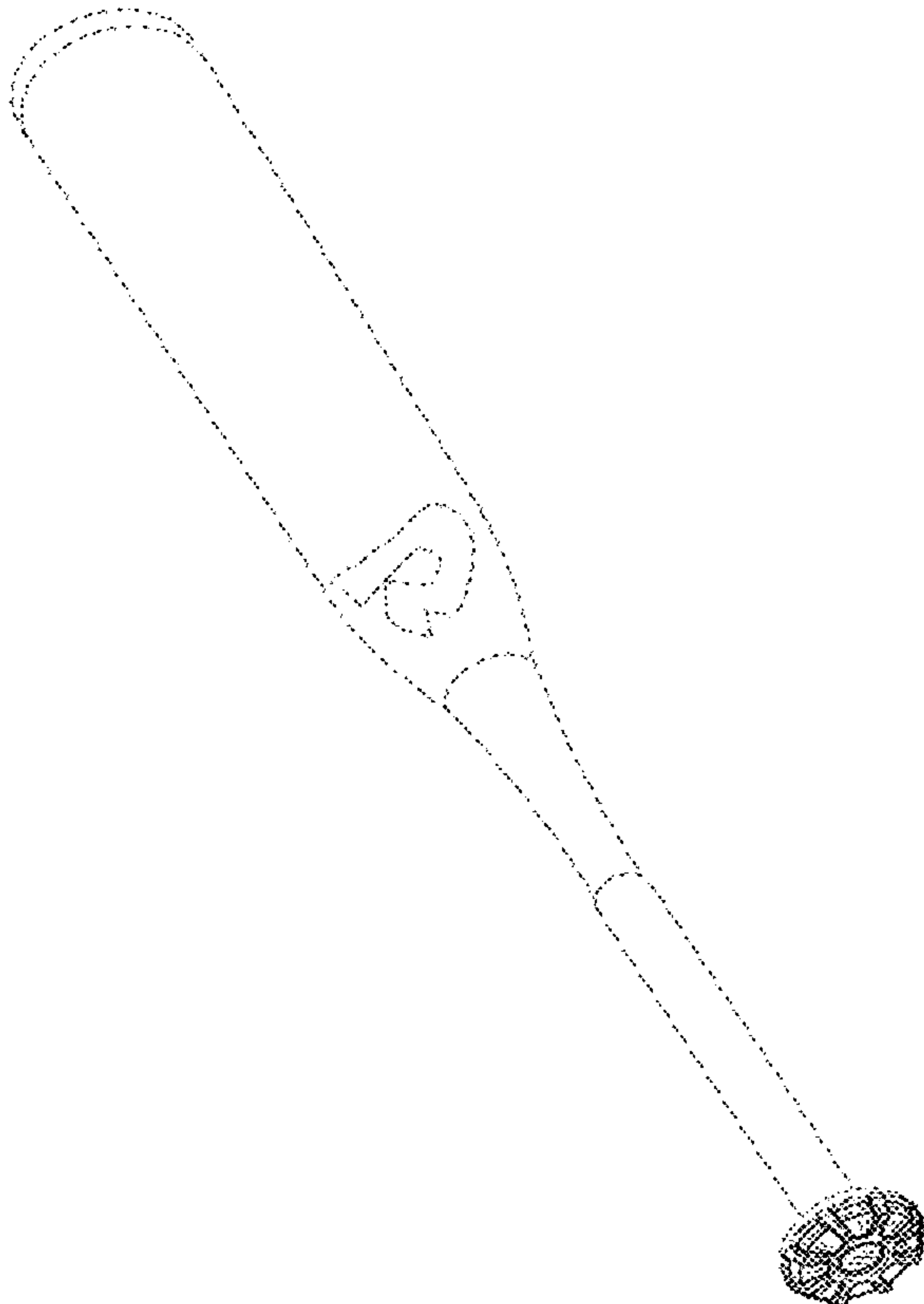
FIG. 2 is an enlarged side, end perspective view of the knob of the ball bat of FIG. 1;

FIG. 3 is an end view of the portion of the knob of the ball bat of FIG. 1; and,

FIG. 4 is a side view of the knob of the ball bat of FIG. 1.

The ornamental design that is claimed is shown in solid lines in the drawings. The broken (dashed) lines shown in FIGS. 1 through 4 are included only for the purpose of illustrating environmental elements and break lines, and form no part of the claimed design.

**1 Claim, 3 Drawing Sheets**



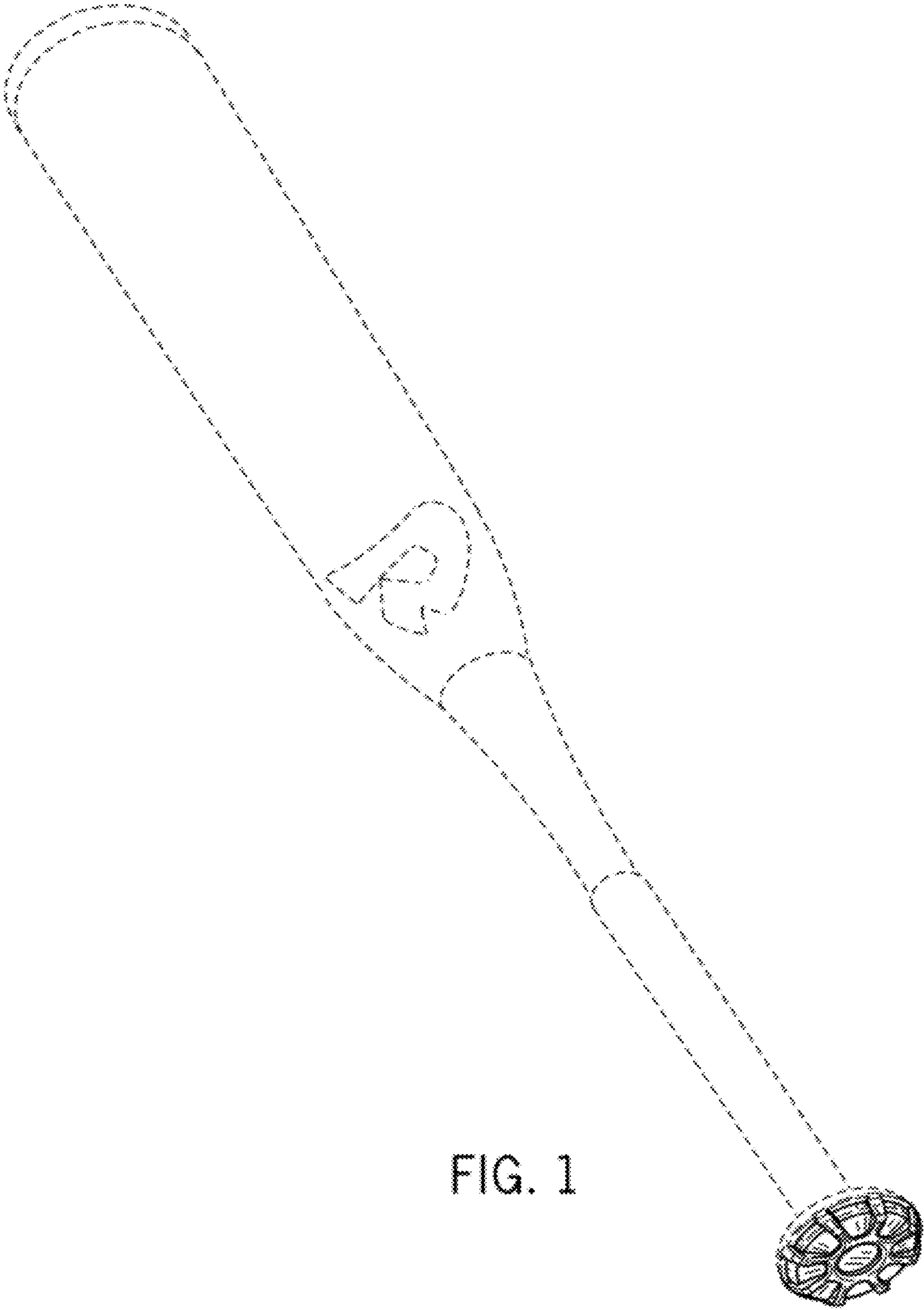


FIG. 1

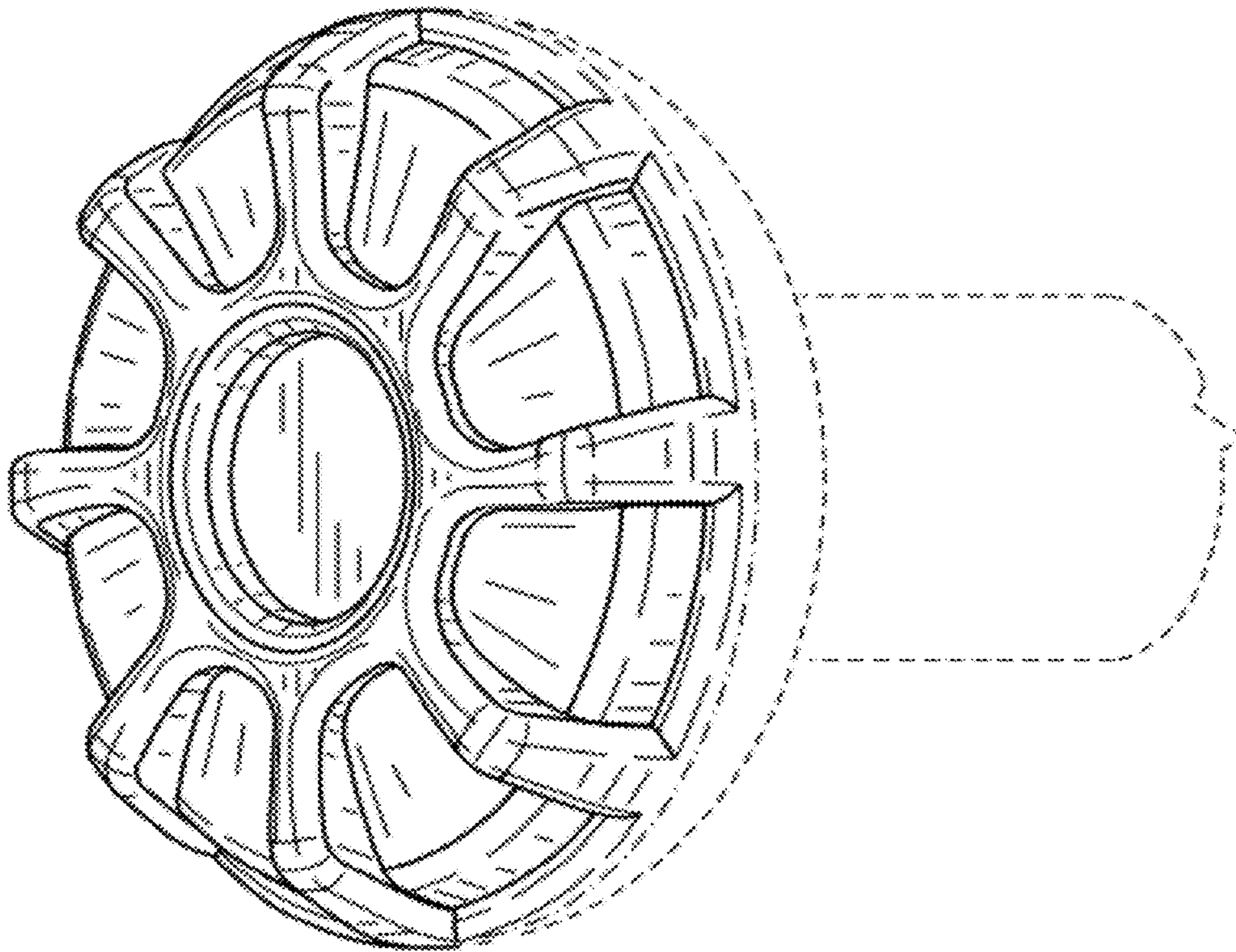


FIG. 2



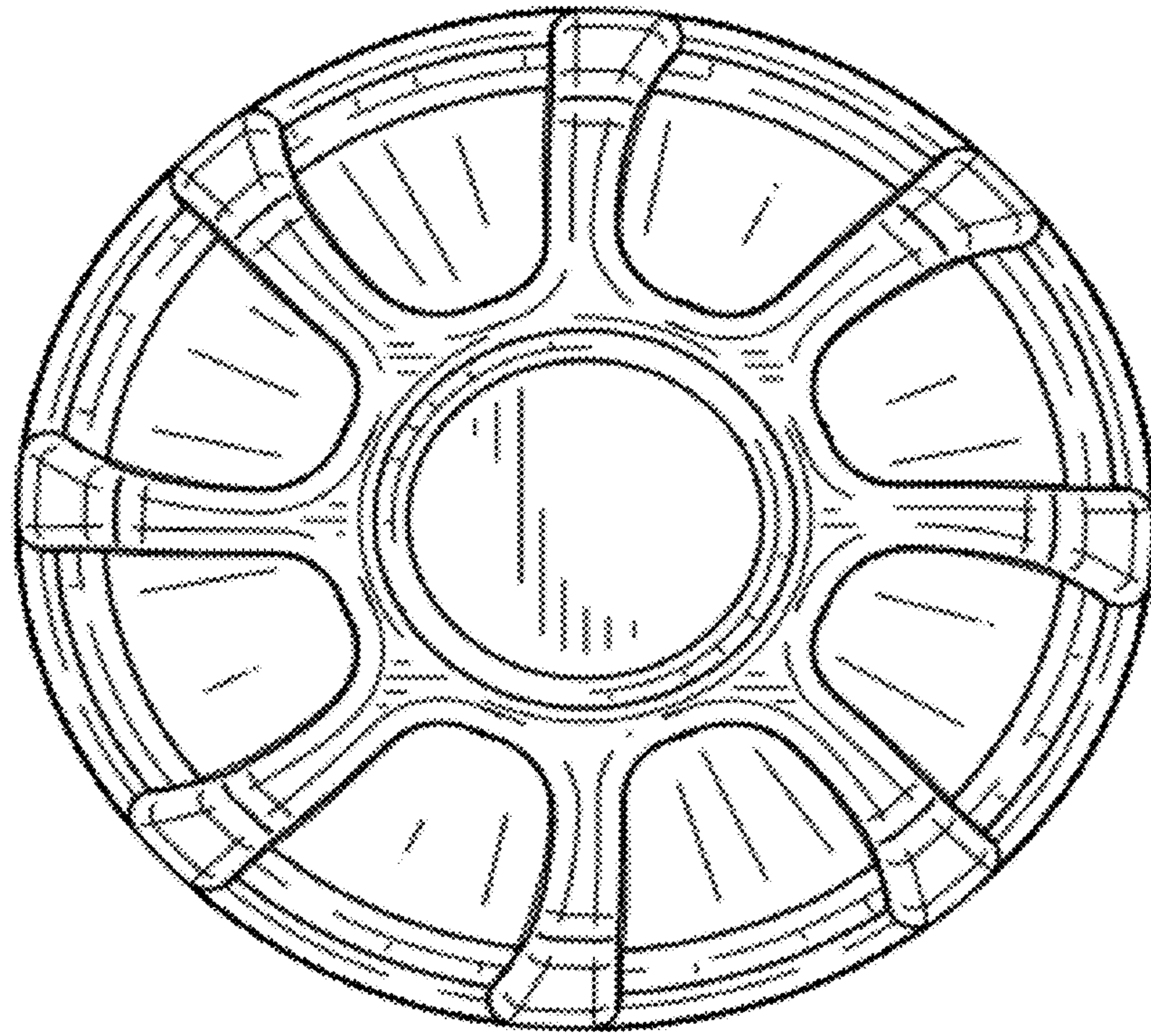


FIG. 3

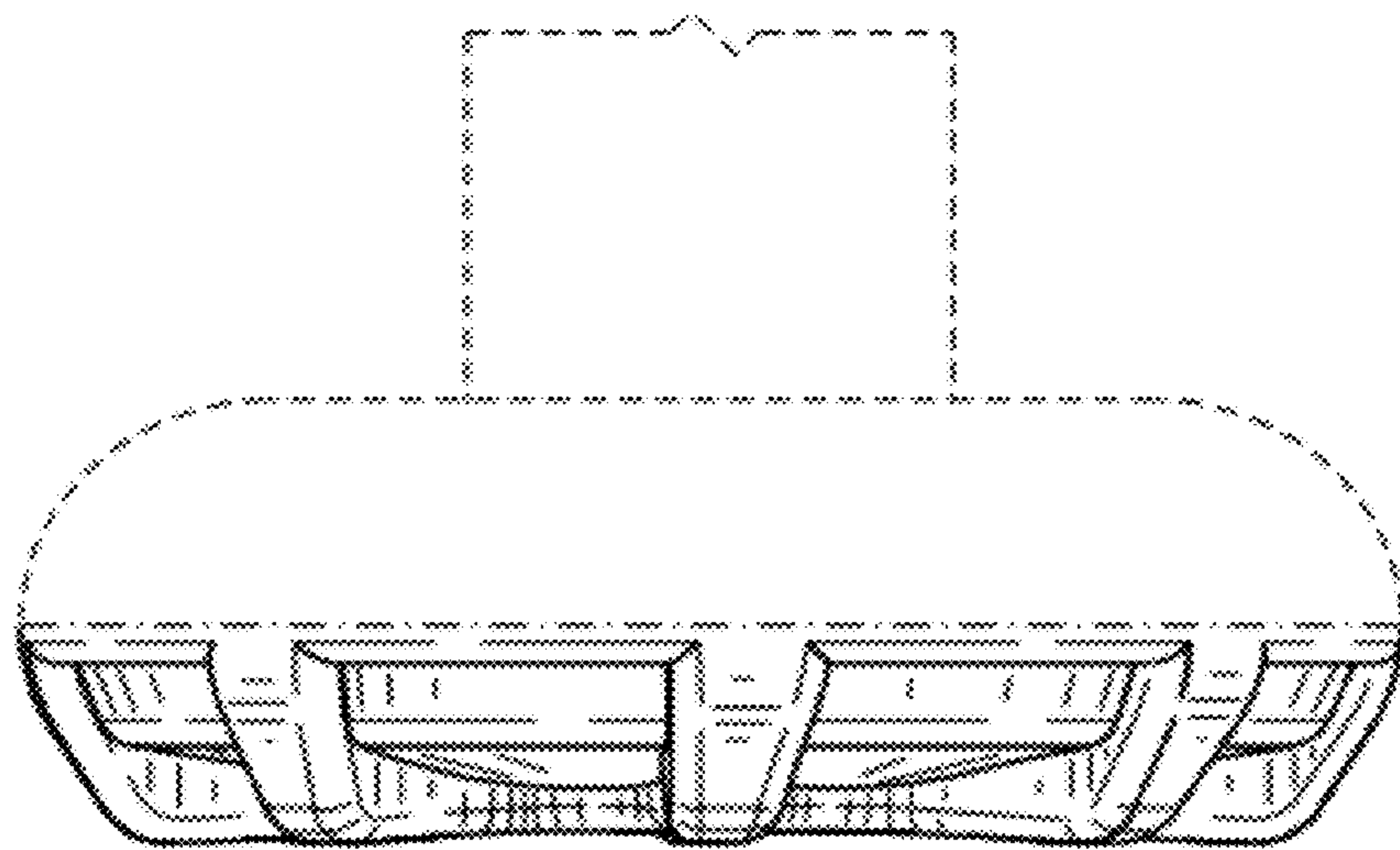


FIG. 4