



US00D655770S

(12) **United States Design Patent**  
**Thompson et al.**

(10) **Patent No.:** **US D655,770 S**

(45) **Date of Patent:** **\*\* Mar. 13, 2012**

(54) **END CAP OF A BALL BAT**

(75) Inventors: **John Thompson**, Portland, OR (US);  
**Glen Mason**, Hillsboro, OR (US)

(73) Assignee: **Wilson Sporting Goods Co.**, Chicago,  
IL (US)

(\*\*) Term: **14 Years**

(21) Appl. No.: **29/391,349**

(22) Filed: **May 6, 2011**

(51) **LOC (9) Cl.** ..... **21-02**

(52) **U.S. Cl.** ..... **D21/753**

(58) **Field of Classification Search** ..... D21/725,  
D21/753; 473/564–568

See application file for complete search history.

(56) **References Cited**

**U.S. PATENT DOCUMENTS**

D194,322	S *	1/1963	Weinstein	.....	D21/722
5,421,572	A *	6/1995	MacKay, Jr.	.....	473/566
5,931,750	A *	8/1999	MacKay, Jr.	.....	473/566
5,954,602	A *	9/1999	Eggiman et al.	.....	473/566
7,232,387	B1 *	6/2007	Heald et al.	.....	473/566
7,232,388	B2 *	6/2007	Sutherland et al.	.....	473/567
D558,279	S *	12/2007	Chen et al.	.....	D21/572
7,419,446	B2 *	9/2008	Nguyen	.....	473/567

D600,296	S *	9/2009	Chen	.....	D21/752
7,604,184	B1 *	10/2009	Chen	.....	239/289
D620,062	S *	7/2010	Thompson et al.	.....	D21/753
D622,794	S *	8/2010	Thompson et al.	.....	D21/753
D626,612	S *	11/2010	Fitzgerald et al.	.....	D21/725

\* cited by examiner

*Primary Examiner* — Mitchell Siegel

(74) *Attorney, Agent, or Firm* — Terence P. O'Brien

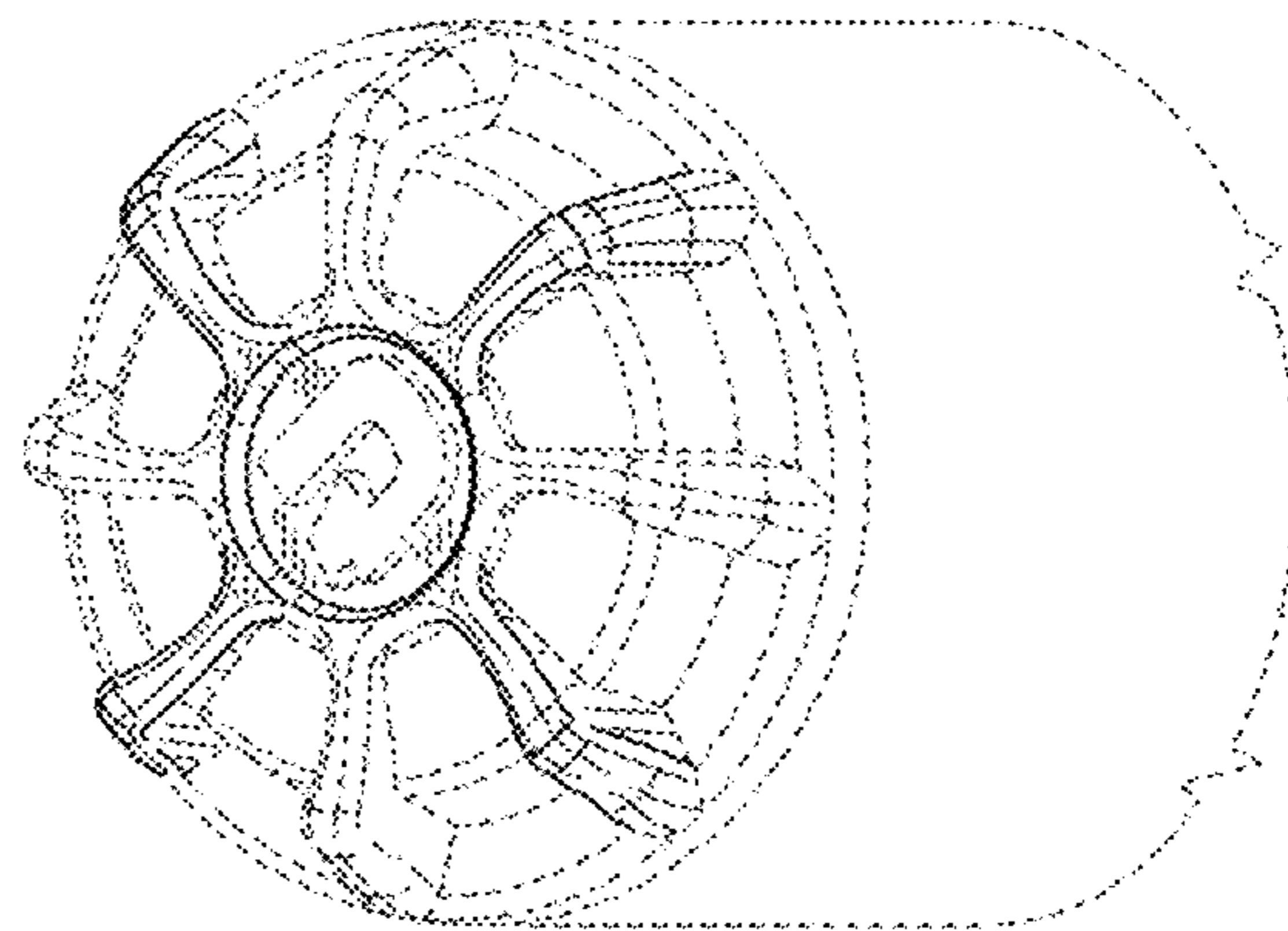
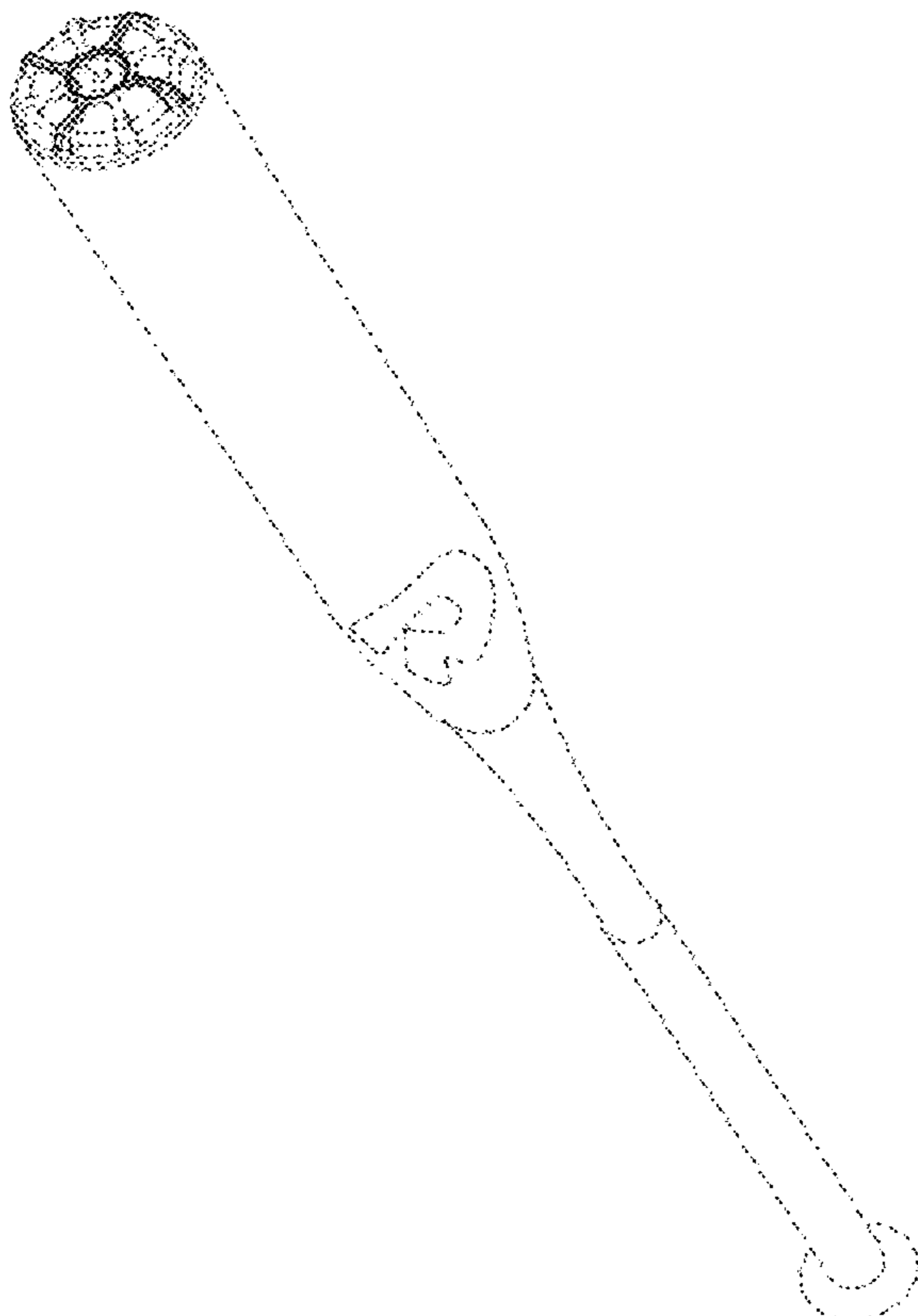
(57) **CLAIM**

We claim the ornamental design for an end cap of a ball bat, as shown and described.

**DESCRIPTION**

FIG. 1 is a side, end perspective view of an end cap of a ball bat of the present design;  
 FIG. 2 is an enlarged side, end perspective view of the end cap of the ball bat of FIG. 1;  
 FIG. 3 is an end view of the portion of the end cap of the ball bat of FIG. 1; and,  
 FIG. 4 is a side view of the end cap of the ball bat of FIG. 1. The ornamental design that is claimed is shown in solid lines in the drawings. The broken (dashed) lines shown in FIGS. 1 through 4 are included only for the purpose of illustrating environmental elements and break lines, and form no part of the claimed design.

**1 Claim, 3 Drawing Sheets**



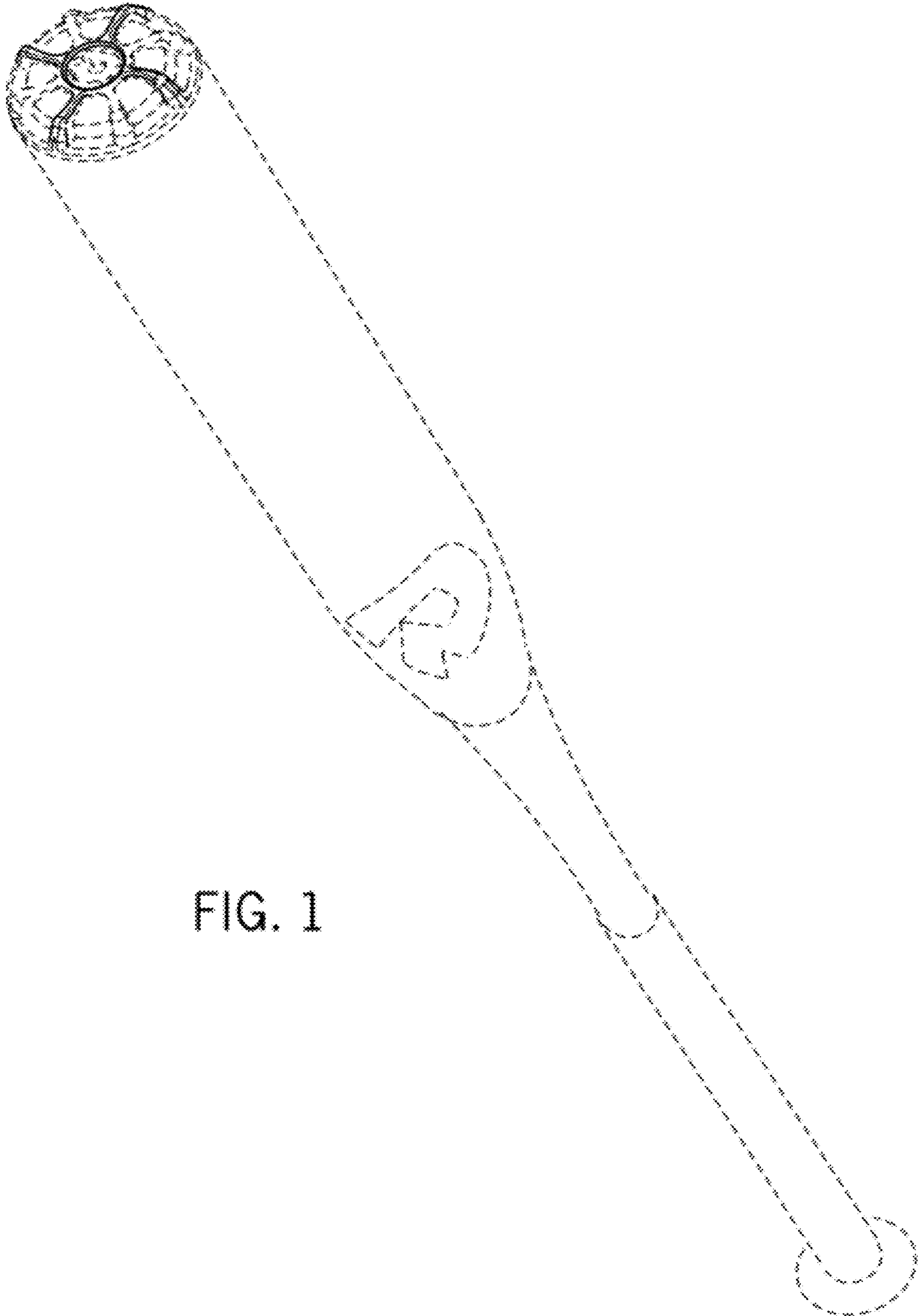


FIG. 1

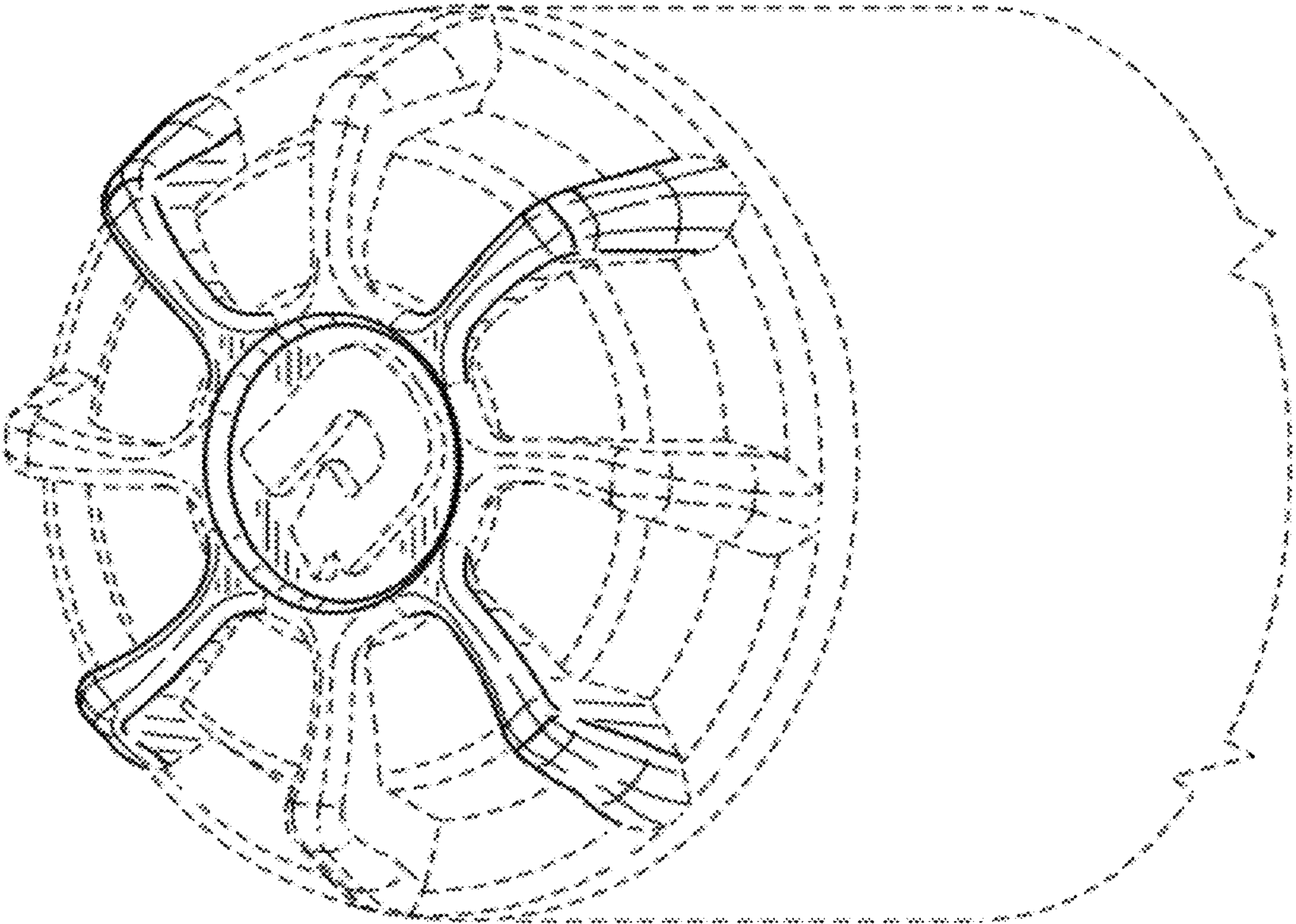


FIG. 2

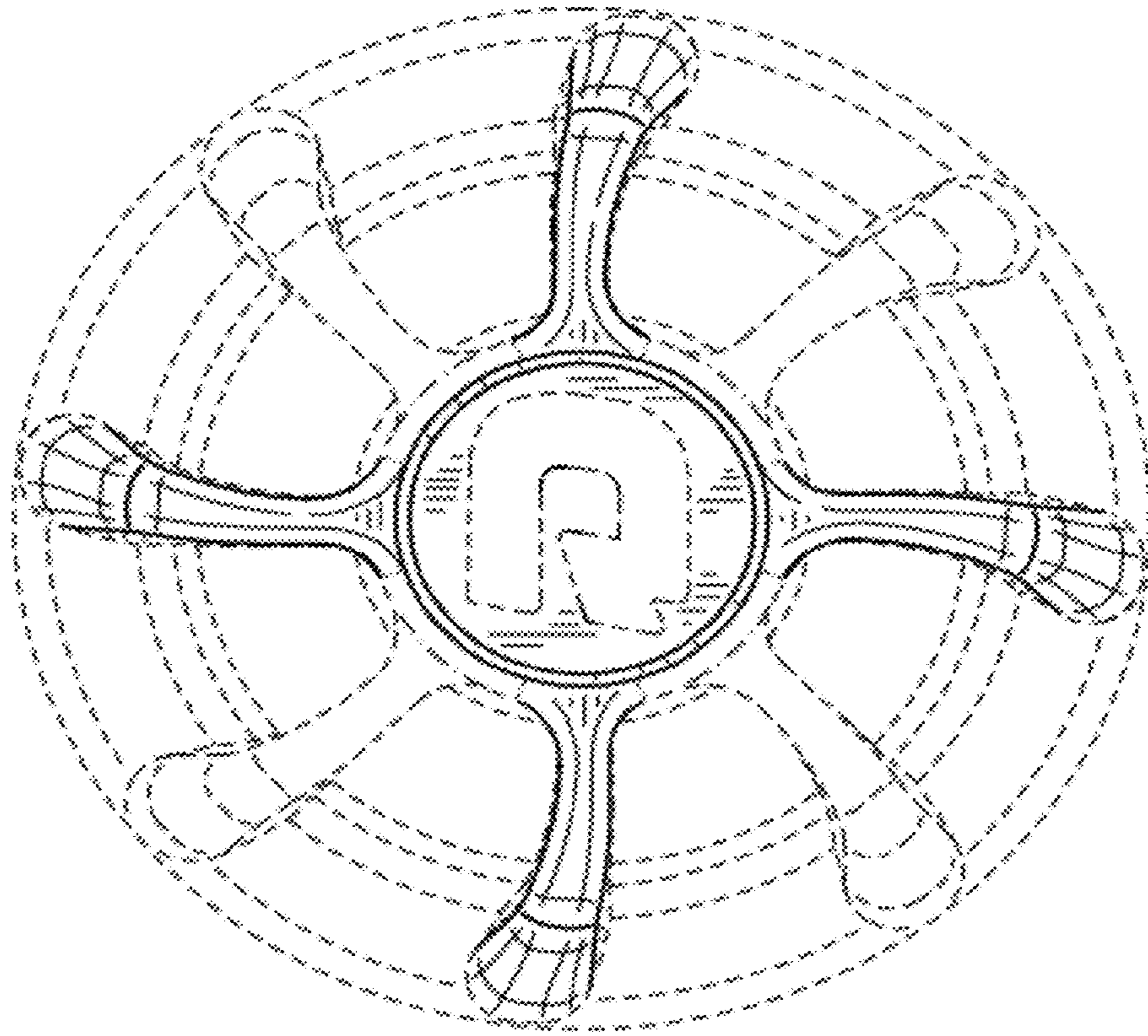


FIG. 3

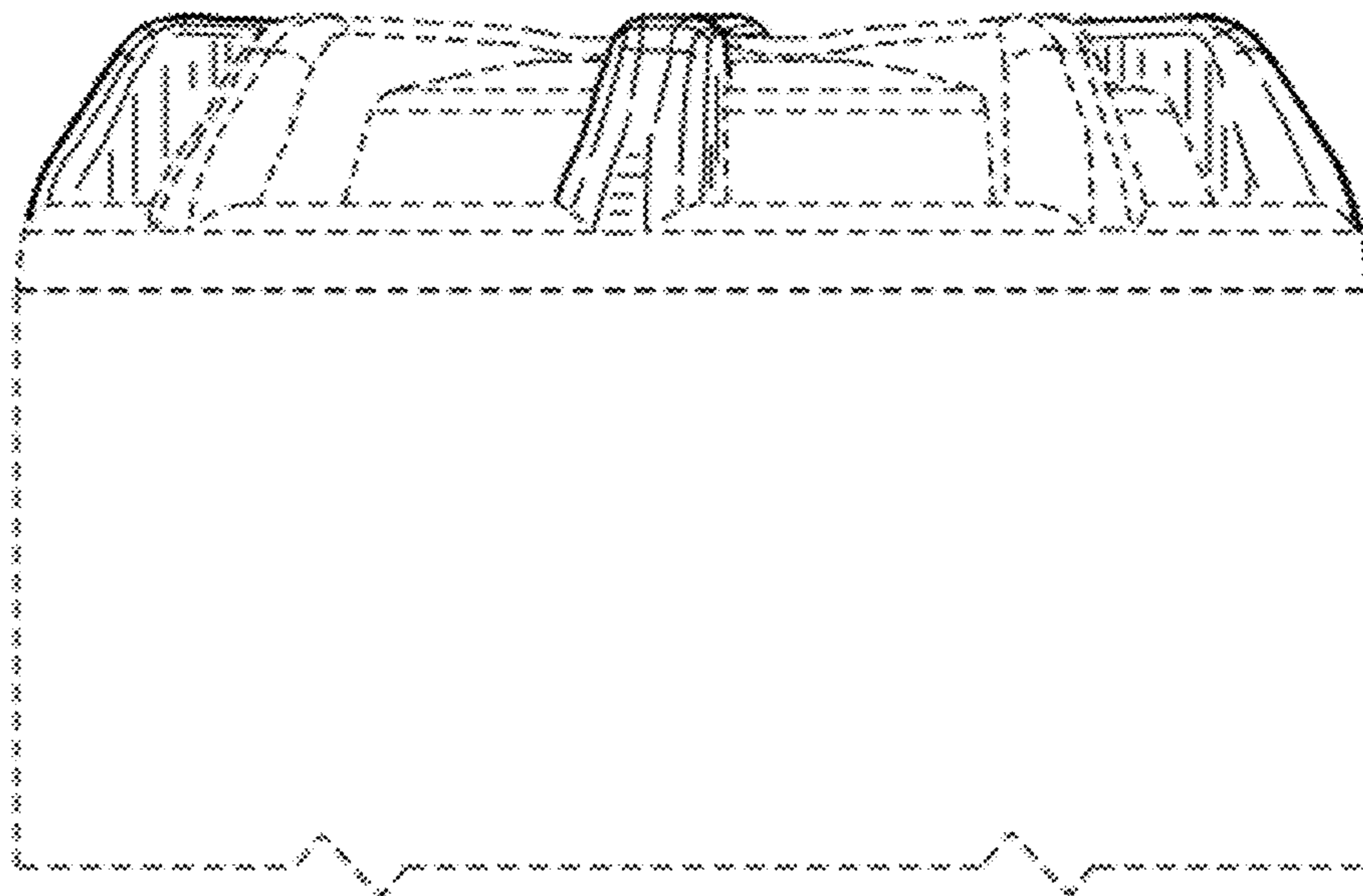


FIG. 4