



US00D655768S

(12) **United States Design Patent**  
**Thompson et al.**

(10) **Patent No.:** **US D655,768 S**  
(45) **Date of Patent:** **\*\* Mar. 13, 2012**

(54) **END CAP OF A BALL BAT**

(75) Inventors: **John Thompson**, Portland, OR (US);  
**Glen Mason**, Hillsboro, OR (US)

(73) Assignee: **Wilson Sporting Goods Co.**, Chicago, IL (US)

(\*\*) Term: **14 Years**

(21) Appl. No.: **29/391,347**

(22) Filed: **May 6, 2011**

(51) **LOC (9) Cl.** ..... **21-02**

(52) **U.S. Cl.** ..... **D21/753**

(58) **Field of Classification Search** ..... D21/725,  
D21/753; 473/564–568

See application file for complete search history.

(56) **References Cited**

**U.S. PATENT DOCUMENTS**

|           |      |         |                   |       |         |
|-----------|------|---------|-------------------|-------|---------|
| D194,322  | S *  | 1/1963  | Weinstein         | ..... | D21/722 |
| 5,421,572 | A *  | 6/1995  | MacKay, Jr.       | ..... | 473/566 |
| 5,931,750 | A *  | 8/1999  | MacKay, Jr.       | ..... | 473/566 |
| 5,954,602 | A *  | 9/1999  | Eggiman et al.    | ..... | 473/566 |
| 7,232,387 | B1 * | 6/2007  | Heald et al.      | ..... | 473/566 |
| 7,232,388 | B2 * | 6/2007  | Sutherland et al. | ..... | 473/567 |
| D558,279  | S *  | 12/2007 | Chen              | ..... | D21/572 |
| 7,419,446 | B2 * | 9/2008  | Nguyen            | ..... | 473/567 |

|           |      |         |                   |       |         |
|-----------|------|---------|-------------------|-------|---------|
| D600,296  | S *  | 9/2009  | Chen              | ..... | D21/752 |
| 7,604,184 | B1 * | 10/2009 | Chen              | ..... | 239/289 |
| D620,062  | S *  | 7/2010  | Thompson et al.   | ..... | D21/753 |
| D622,794  | S *  | 8/2010  | Thompson et al.   | ..... | D21/753 |
| D626,612  | S *  | 11/2010 | Fitzgerald et al. | ..... | D21/725 |

\* cited by examiner

*Primary Examiner* — Mitchell Siegel

(74) *Attorney, Agent, or Firm* — Terence P. O'Brien

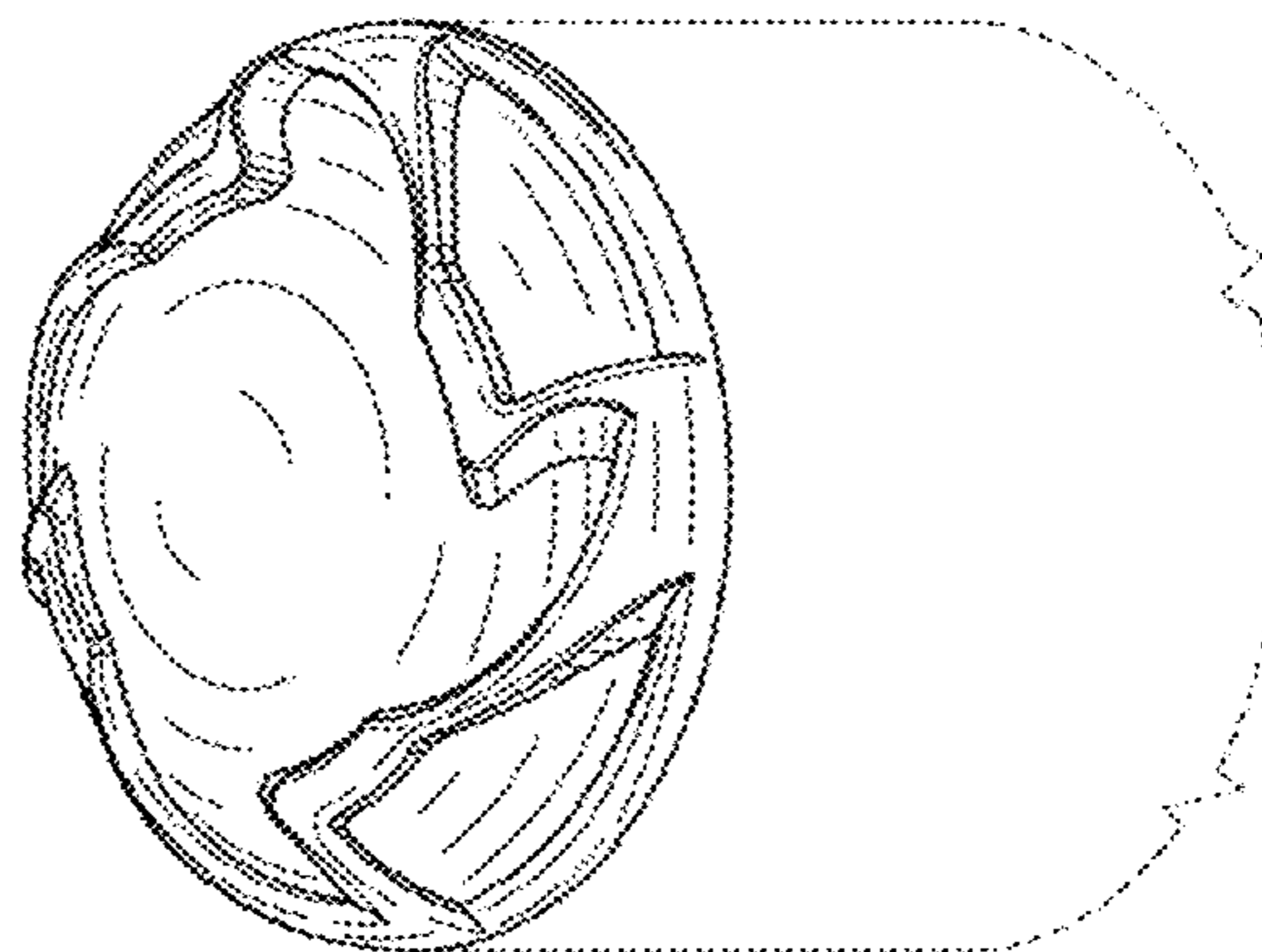
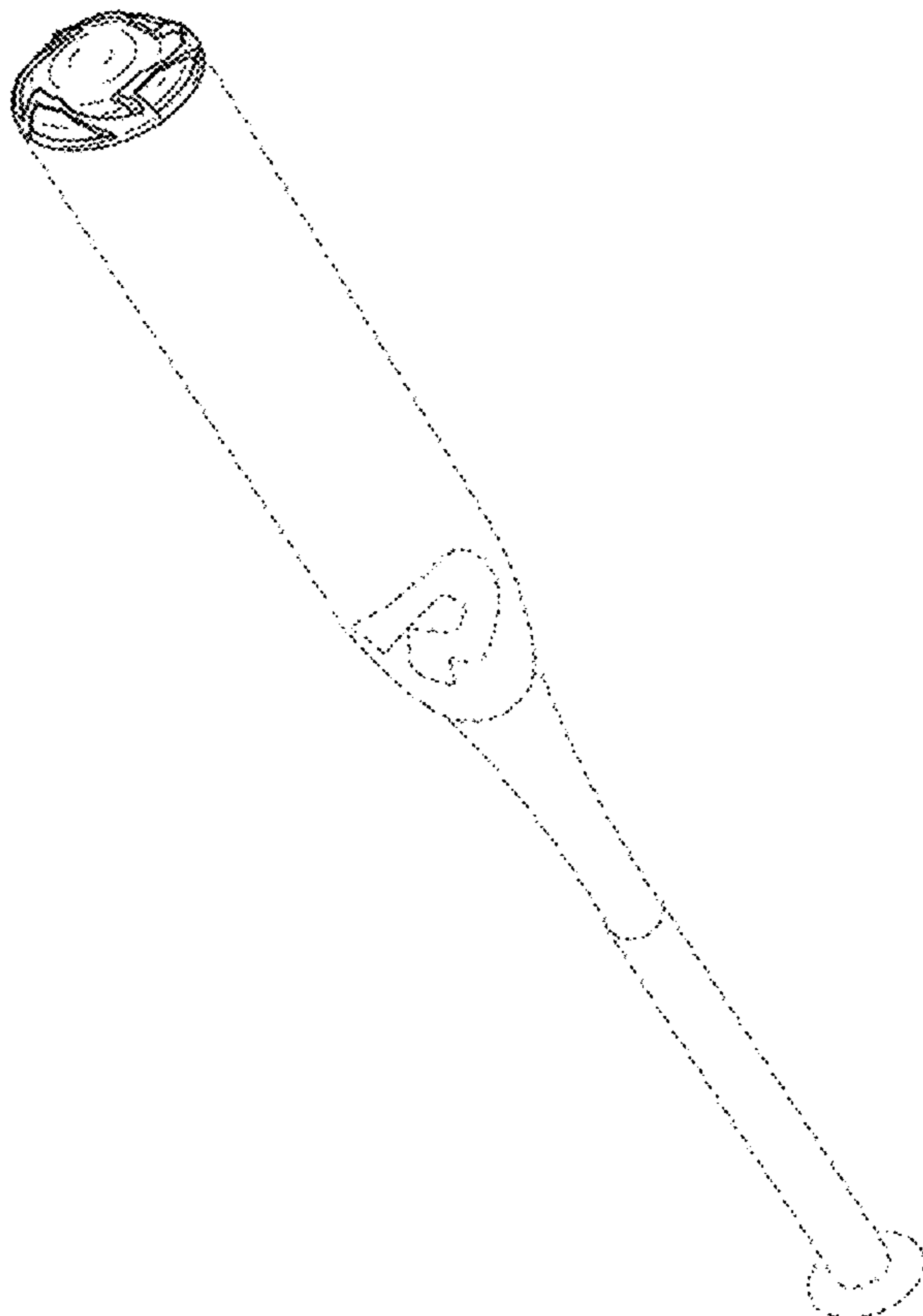
(57) **CLAIM**

We claim the ornamental design for an end cap of a ball bat, as shown and described.

**DESCRIPTION**

FIG. 1 is a side, end perspective view of an end cap of a ball bat of the present design;  
FIG. 2 is an enlarged side, end perspective view of the end cap of the ball bat of FIG. 1;  
FIG. 3 is an end view of the portion of the end cap of the ball bat of FIG. 1; and,  
FIG. 4 is a side view of the end cap of the ball bat of FIG. 1. The ornamental design that is claimed is shown in solid lines in the drawings. The broken (dashed) lines shown in FIGS. 1 through 4 are included only for the purpose of illustrating environmental elements and break lines, and form no part of the claimed design.

**1 Claim, 3 Drawing Sheets**



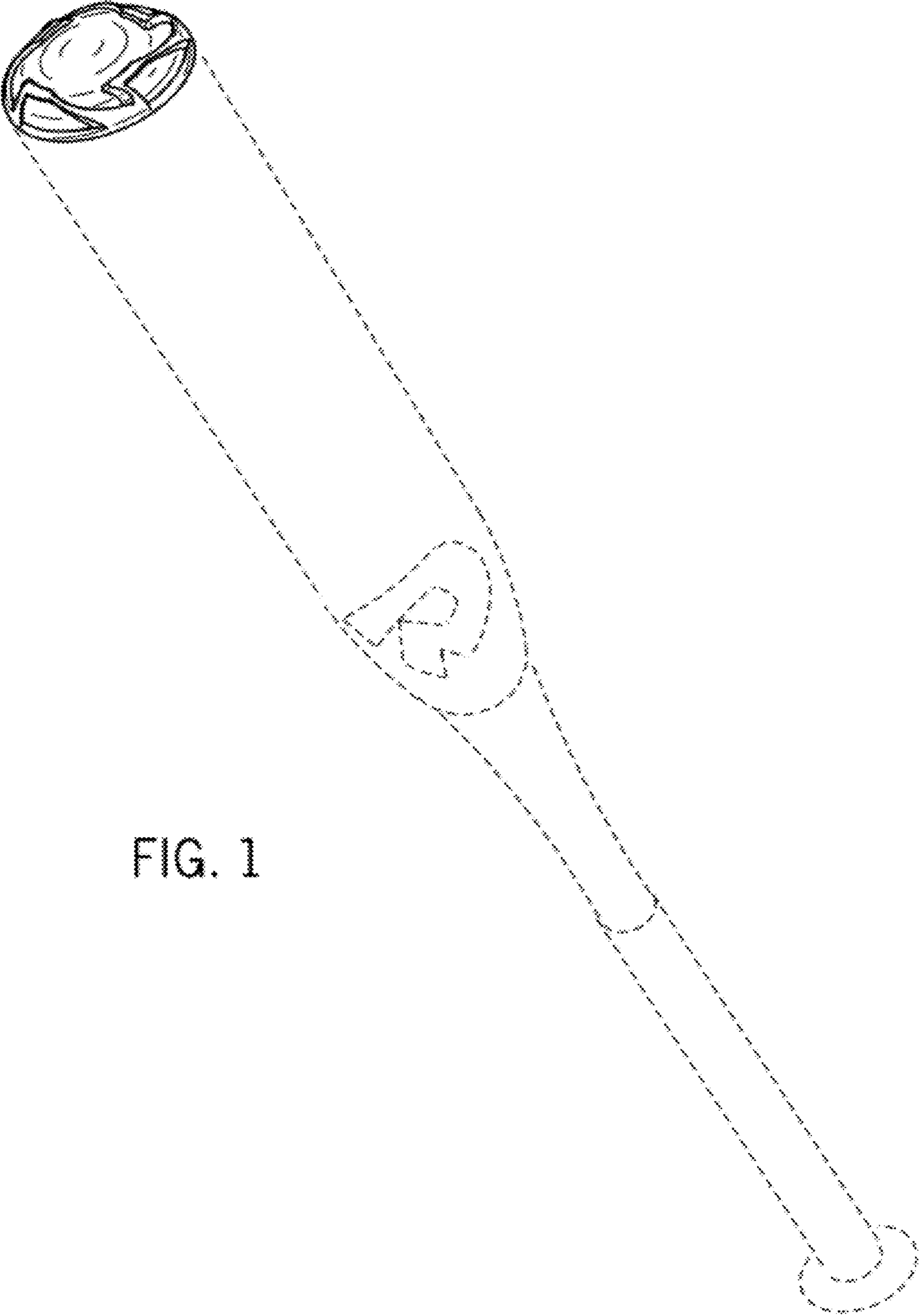


FIG. 1

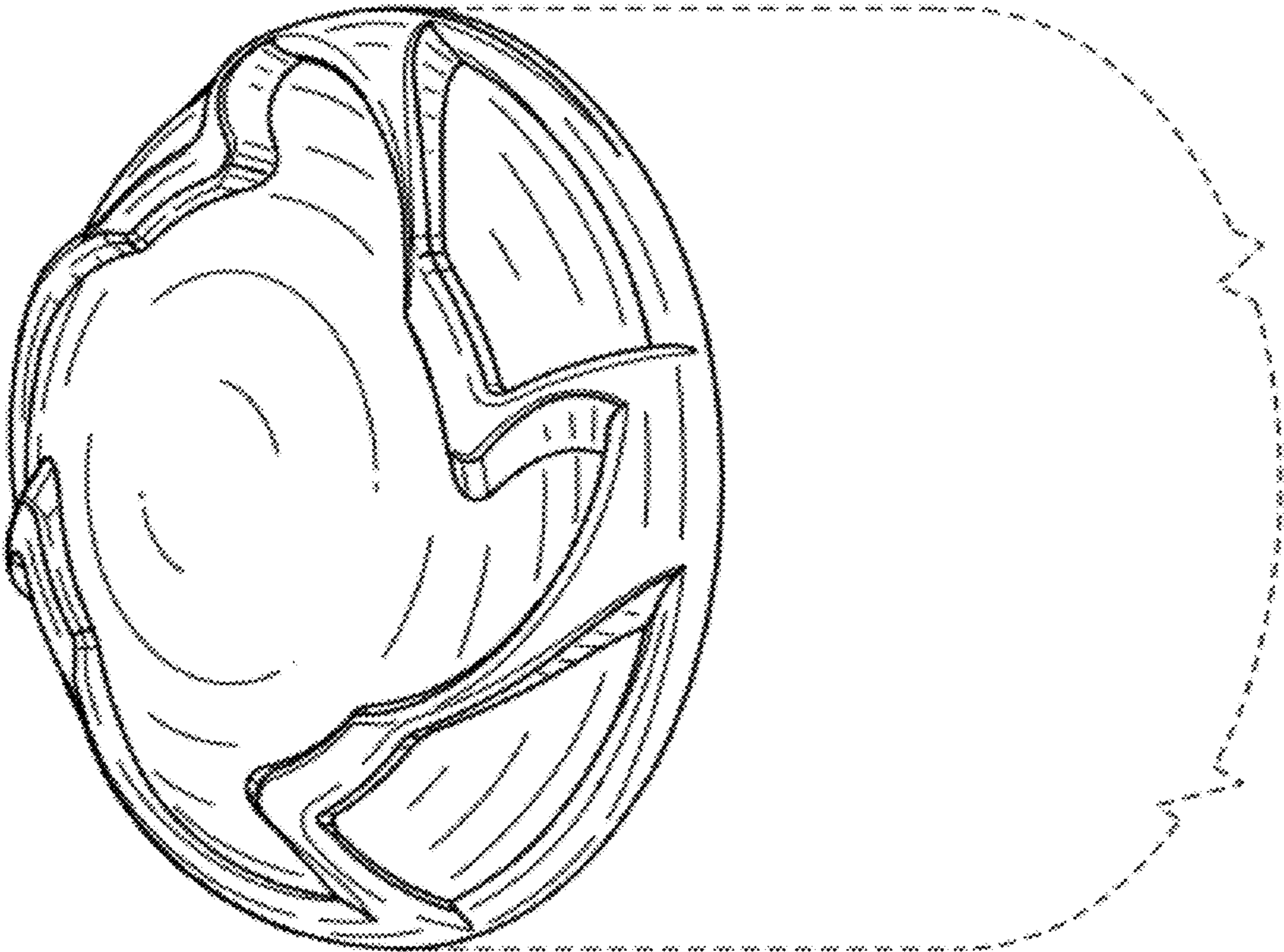


FIG. 2

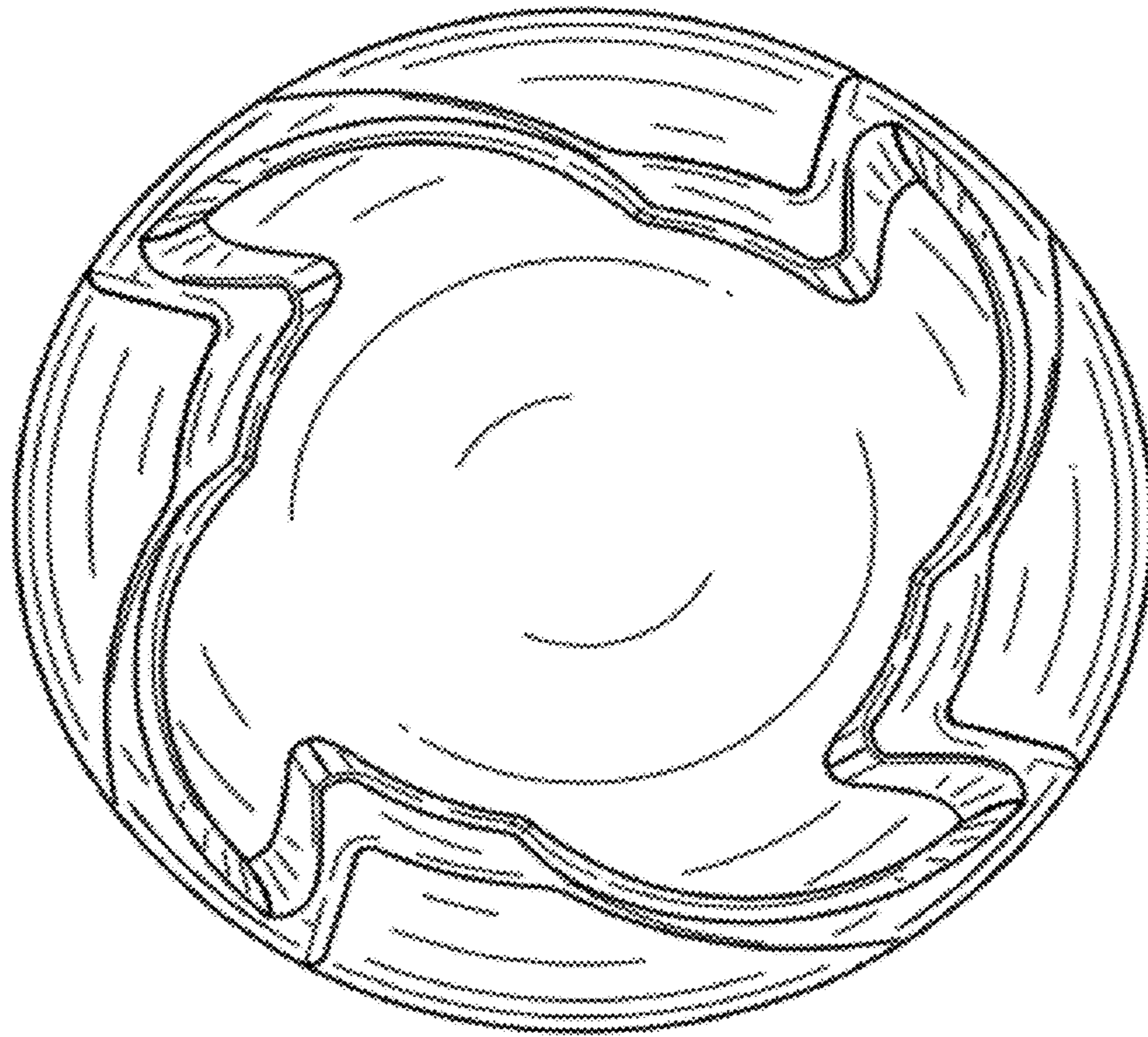


FIG. 3

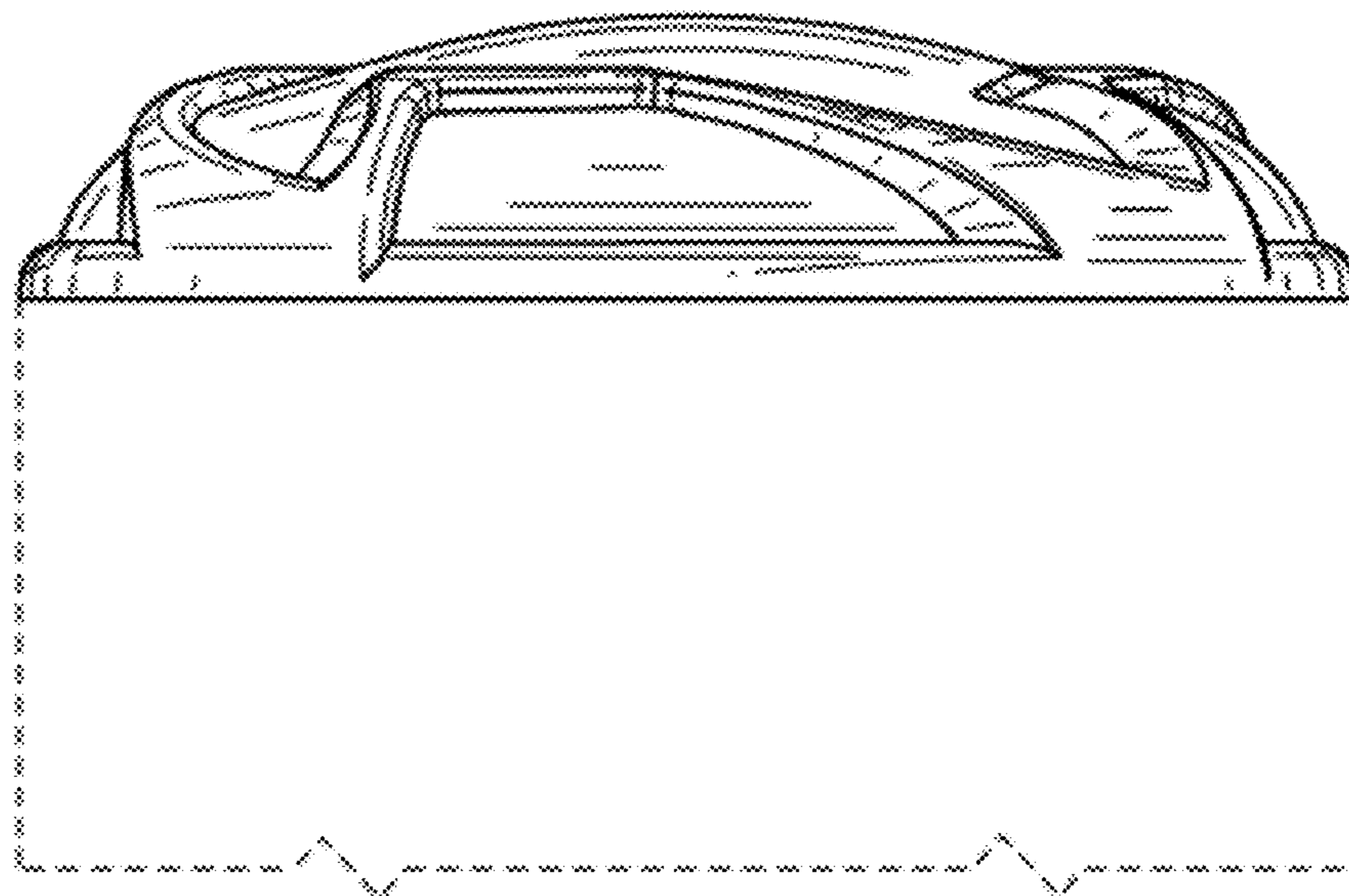


FIG. 4