



US00D655765S

(12) **United States Design Patent**  
**Johnson et al.**

(10) **Patent No.:** **US D655,765 S**  
(45) **Date of Patent:** **\*\* Mar. 13, 2012**

(54) **TOY WATER GUN**  
(75) Inventors: **Drew A. Johnson**, Providence, RI (US);  
**Lionel Wong**, Providence, RI (US)  
(73) Assignee: **Hasbro, Inc.**, Pawtucket, RI (US)  
(\*\*) Term: **14 Years**  
(21) Appl. No.: **29/393,479**  
(22) Filed: **Jun. 5, 2011**  
(51) **LOC (9) Cl.** ..... **21-01**  
(52) **U.S. Cl.** ..... **D21/574**  
(58) **Field of Classification Search** ..... D21/401,  
D21/567; D22/100, 103, 104, 105; D23/231;  
446/175, 176, 180, 473; 222/78, 79; 239/211,  
239/222.11, 237, 329, 373, 394, 525, 526;  
124/63-65, 69, 73-75  
See application file for complete search history.

D439,286 S \* 3/2001 Hornsby et al. .... D21/572  
6,224,457 B1 5/2001 Wu  
D458,975 S \* 6/2002 Hornsby et al. .... D21/574  
6,446,837 B2 9/2002 Crawford  
6,595,437 B1 7/2003 Lawson et al.  
6,598,329 B1 7/2003 Alexander  
6,715,763 B2 4/2004 Rudell et al.  
6,733,356 B2 5/2004 Lee  
7,032,837 B2 4/2006 Eddins et al.  
7,036,751 B1 5/2006 Lund et al.  
7,287,526 B1 10/2007 Bligh et al.  
D557,355 S \* 12/2007 Higuchi et al. .... D21/572  
7,418,797 B1 9/2008 Crose  
7,437,847 B1 10/2008 Mabry  
7,451,900 B2 11/2008 Hornsby et al.  
D588,652 S \* 3/2009 Stadlbauer ..... D21/572  
7,552,557 B1 6/2009 Mabry  
7,568,637 B2 8/2009 Hornsby et al.  
7,624,898 B2 12/2009 Hornsby et al.  
7,673,624 B2 3/2010 Rosella, Jr.  
D635,619 S \* 4/2011 Nadel ..... D21/573  
D639,352 S \* 6/2011 Chan ..... D21/572  
2006/0242880 A1 11/2006 Griffin

\* cited by examiner

(56) **References Cited**

**U.S. PATENT DOCUMENTS**

961,511 A 6/1910 Marble  
1,374,757 A 4/1921 Napier  
3,968,783 A 7/1976 Pfotenhauer  
4,022,350 A 5/1977 Amron  
4,170,215 A 10/1979 Kettlestrings  
4,248,202 A 2/1981 Jaworski et al.  
4,659,320 A 4/1987 Rich et al.  
4,706,848 A 11/1987 D'Andrade  
4,743,030 A 5/1988 Auer et al.  
4,750,641 A 6/1988 Chin-Fu  
5,173,038 A 12/1992 Hopfensperger et al.  
5,310,089 A 5/1994 Hudgins  
D354,997 S \* 1/1995 Arad et al. .... D21/574  
5,419,458 A \* 5/1995 Mayer ..... 222/79  
5,471,967 A 12/1995 Matsuzaki et al.  
5,529,050 A 6/1996 D'Andrade  
5,605,485 A 2/1997 Spector  
5,611,322 A 3/1997 Matsuzaki et al.  
D413,364 S \* 8/1999 D'Andrade ..... D21/572  
5,996,564 A 12/1999 Kotowski  
D429,505 S \* 8/2000 Hornsby et al. .... D21/572  
D430,908 S \* 9/2000 Hornsby et al. .... D21/572  
6,167,925 B1 1/2001 D'Andrade et al.

*Primary Examiner* — Cynthia M Chin

(74) *Attorney, Agent, or Firm* — Perry Hoffman

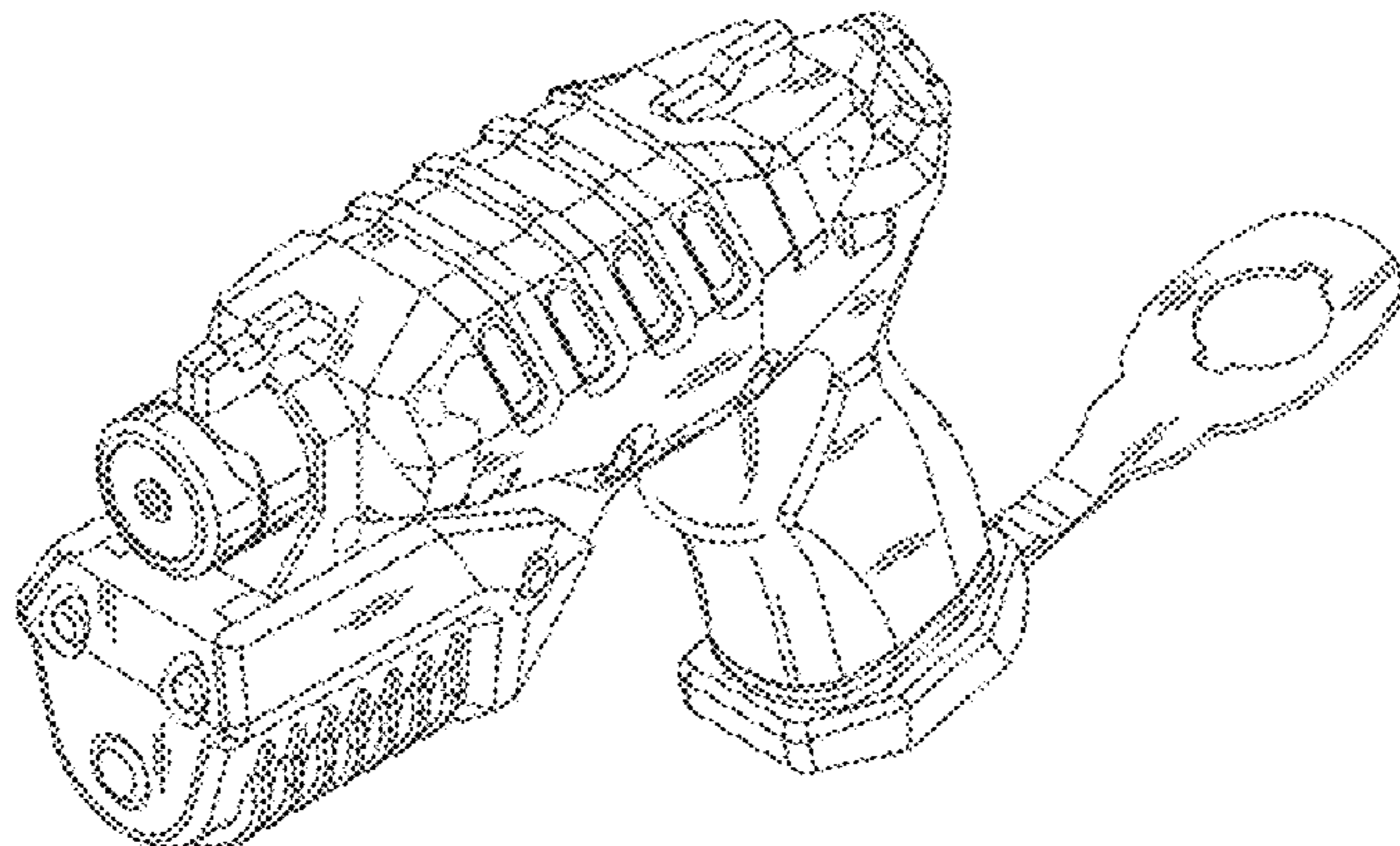
(57) **CLAIM**

The ornamental design for a toy water gun, as shown and described.

**DESCRIPTION**

FIG. 1 is a perspective view of the toy water gun of the instant invention;  
FIG. 2 is a right side elevational view thereof;  
FIG. 3 is a left side elevational view thereof;  
FIG. 4 is a front view thereof;  
FIG. 5 is a rear view thereof;  
FIG. 6 is a top view thereof; and,  
FIG. 7 is a bottom view thereof.  
The broken lines shown are included for the purpose of illustrating the unclaimed portions of the article and form no part of the claimed design.

**1 Claim, 4 Drawing Sheets**



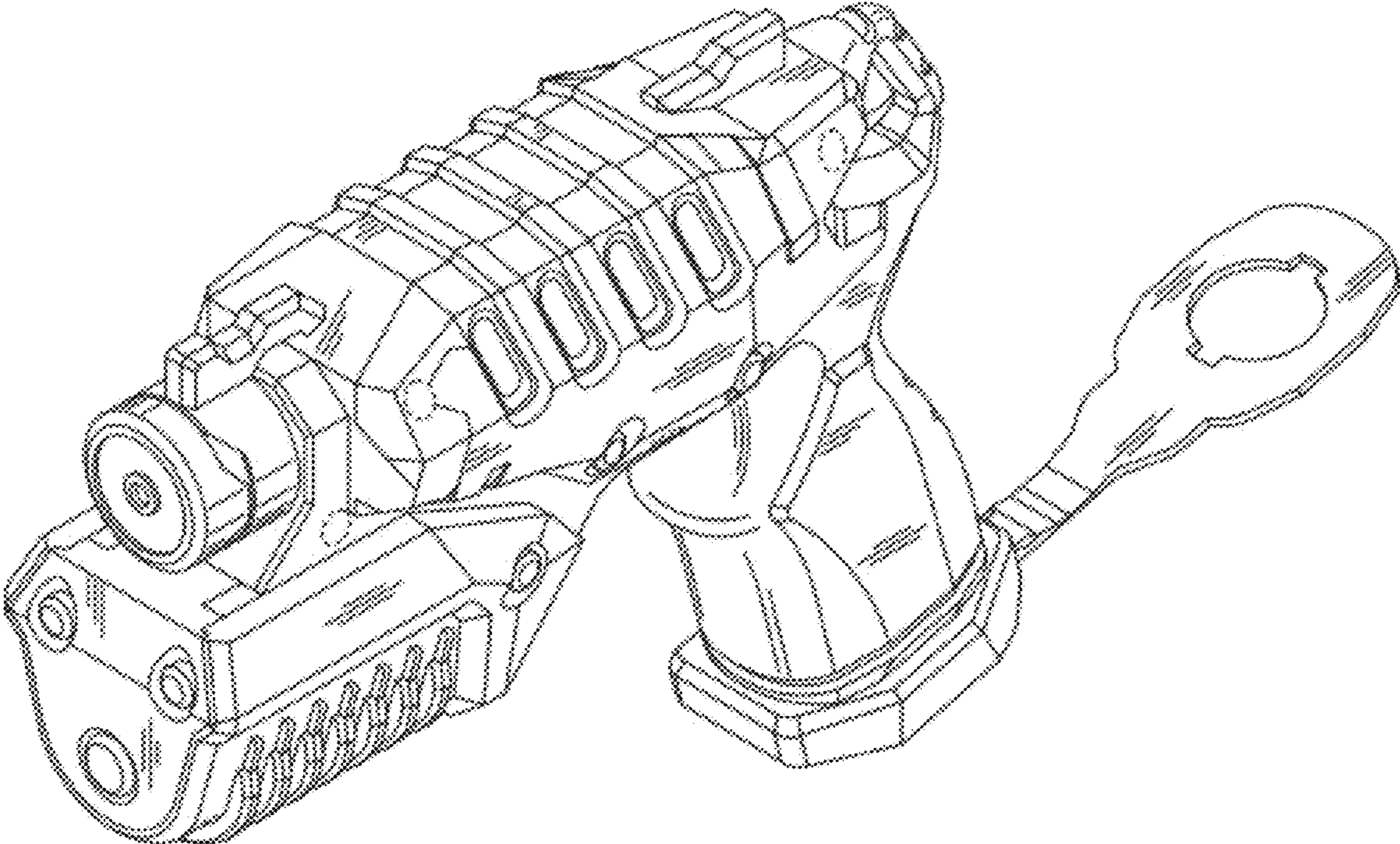


FIG. 1

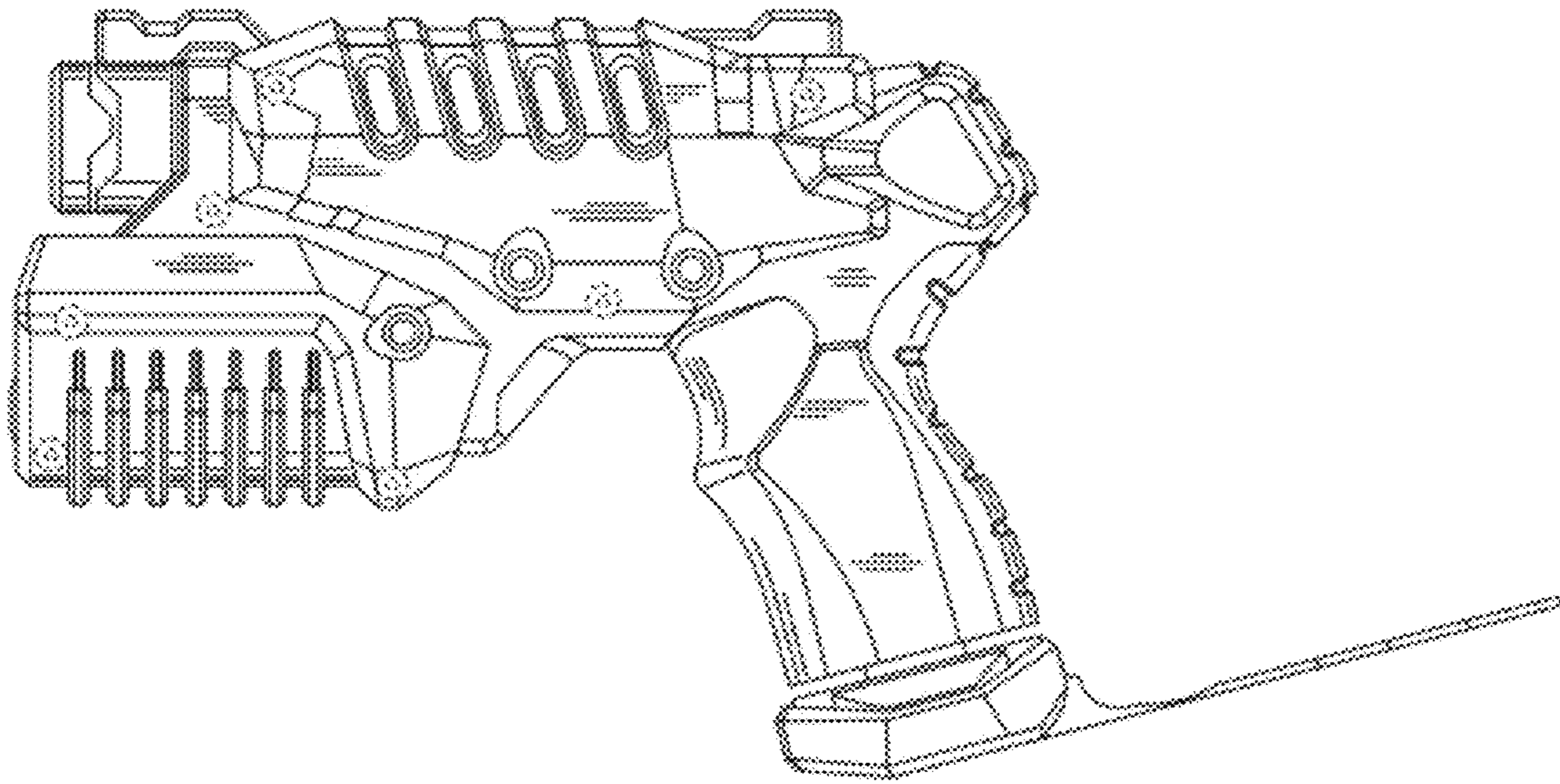


FIG. 2

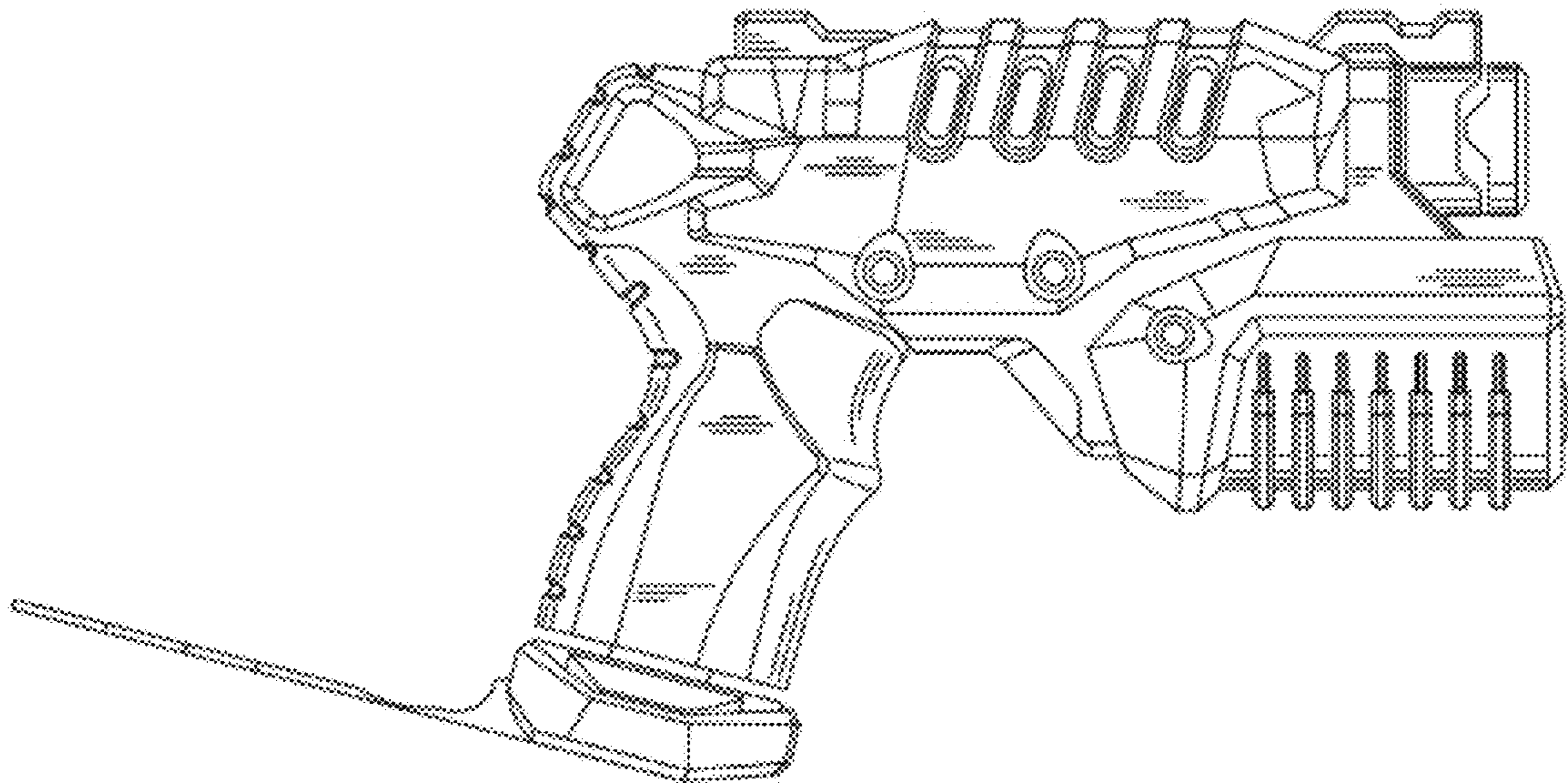


FIG. 3

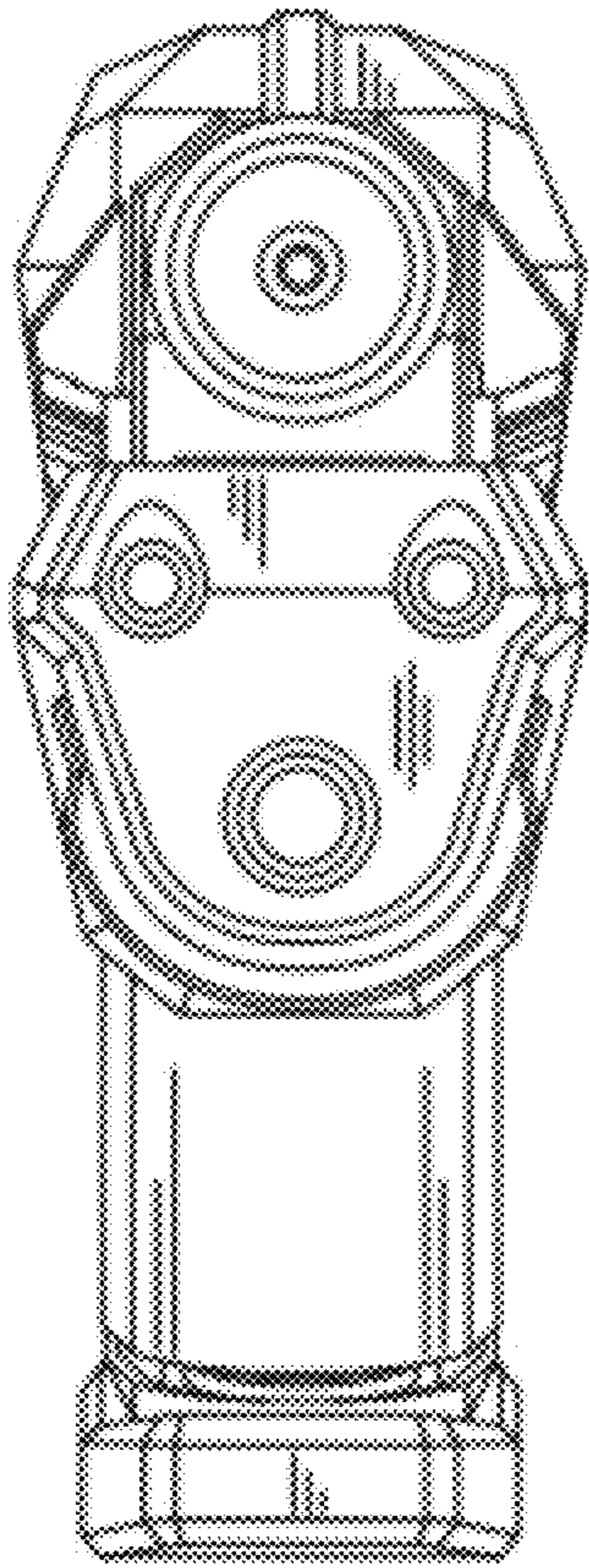


FIG. 4

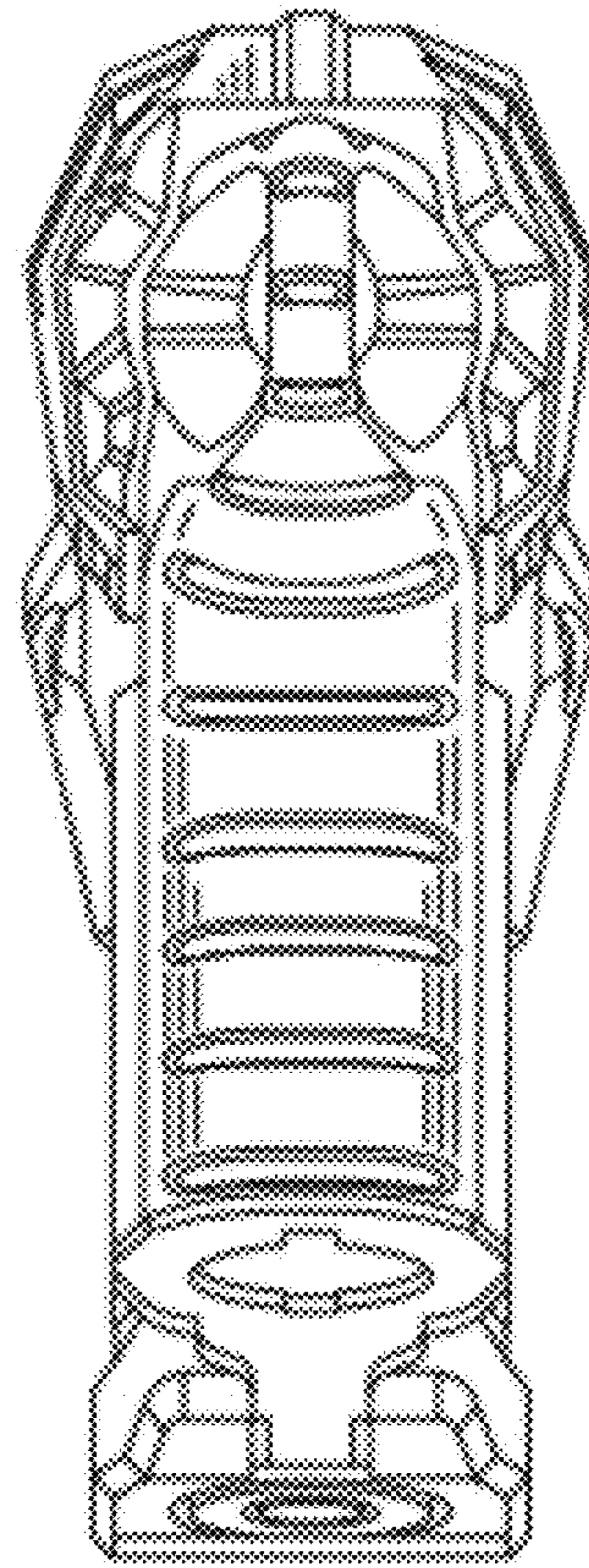


FIG. 5

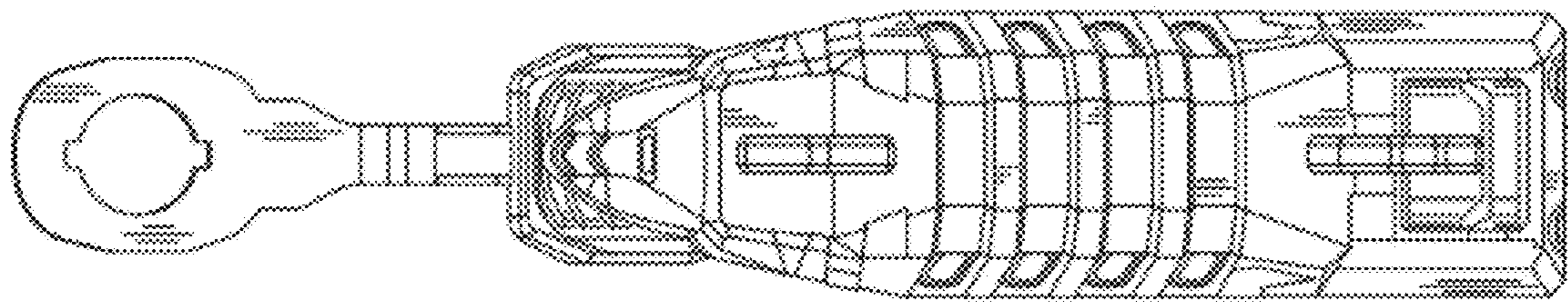


FIG. 6

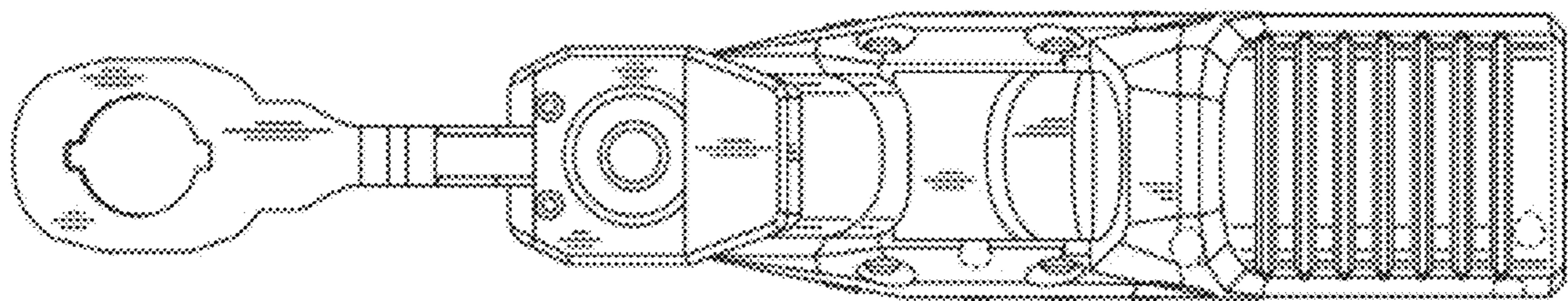


FIG. 7