



US00D655763S

(12) **United States Design Patent**  
**Salsaa et al.**

(10) **Patent No.:** **US D655,763 S**  
(45) **Date of Patent:** **\*\* Mar. 13, 2012**

(54) **SUPPORT BASE FOR A GAMING DEVICE**

(76) Inventors: **Tony G. Salsaa**, Las Vegas, NV (US);  
**George A. Salsaa**, Las Vegas, NV (US)

(\*\*) Term: **14 Years**

(21) Appl. No.: **29/378,102**

(22) Filed: **Oct. 29, 2010**

(51) **LOC (9) Cl.** ..... **21-01**

(52) **U.S. Cl.** ..... **D21/385; D21/369**

(58) **Field of Classification Search** ..... D21/324-332,  
D21/369-370, 385; 273/139, 143 R; 463/17,  
463/20, 46-47

See application file for complete search history.

(56) **References Cited**

**U.S. PATENT DOCUMENTS**

D409,857 S *	5/1999	Ward	.....	D21/370
D472,939 S *	4/2003	Philpott	.....	D21/385
D492,363 S *	6/2004	Seelig et al.	.....	D21/370
D492,364 S *	6/2004	Seelig et al.	.....	D21/370
D493,846 S *	8/2004	Seelig et al.	.....	D21/370

7,040,626 B2 \* 5/2006 Seelig et al. .... 273/143 R  
D617,849 S \* 6/2010 McNamara ..... D21/370  
2007/0057607 A1 \* 3/2007 Caissie ..... 312/265.6

\* cited by examiner

*Primary Examiner* — Sandra Morris

(74) *Attorney, Agent, or Firm* — Gold & Rizvi, P.A.; H. John Rizvi; Glenn E. Gold

(57) **CLAIM**

We claim the ornamental design for a support base for gaming device, as shown and described.

**DESCRIPTION**

FIG. 1 is a perspective view of the support base for a gaming device showing our new design;

FIG. 2 is a left side view thereof, the right side being a mirror image thereof;

FIG. 3 is a front view thereof;

FIG. 4 is a front view thereof with the environment of use showing air vents;

FIG. 5 is a top view thereof; and,

FIG. 6 is a back view thereof.

**1 Claim, 3 Drawing Sheets**

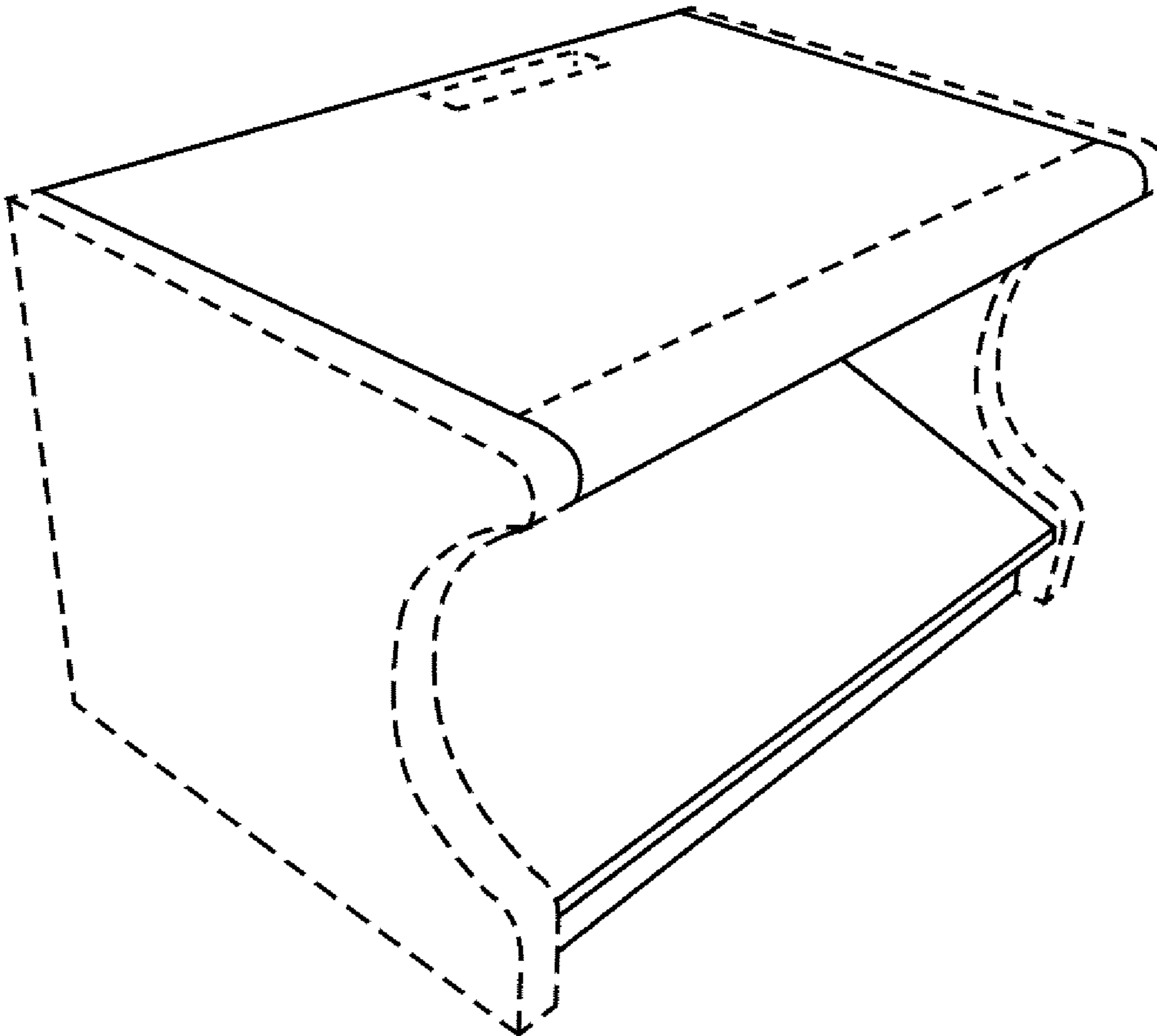


Fig. 1

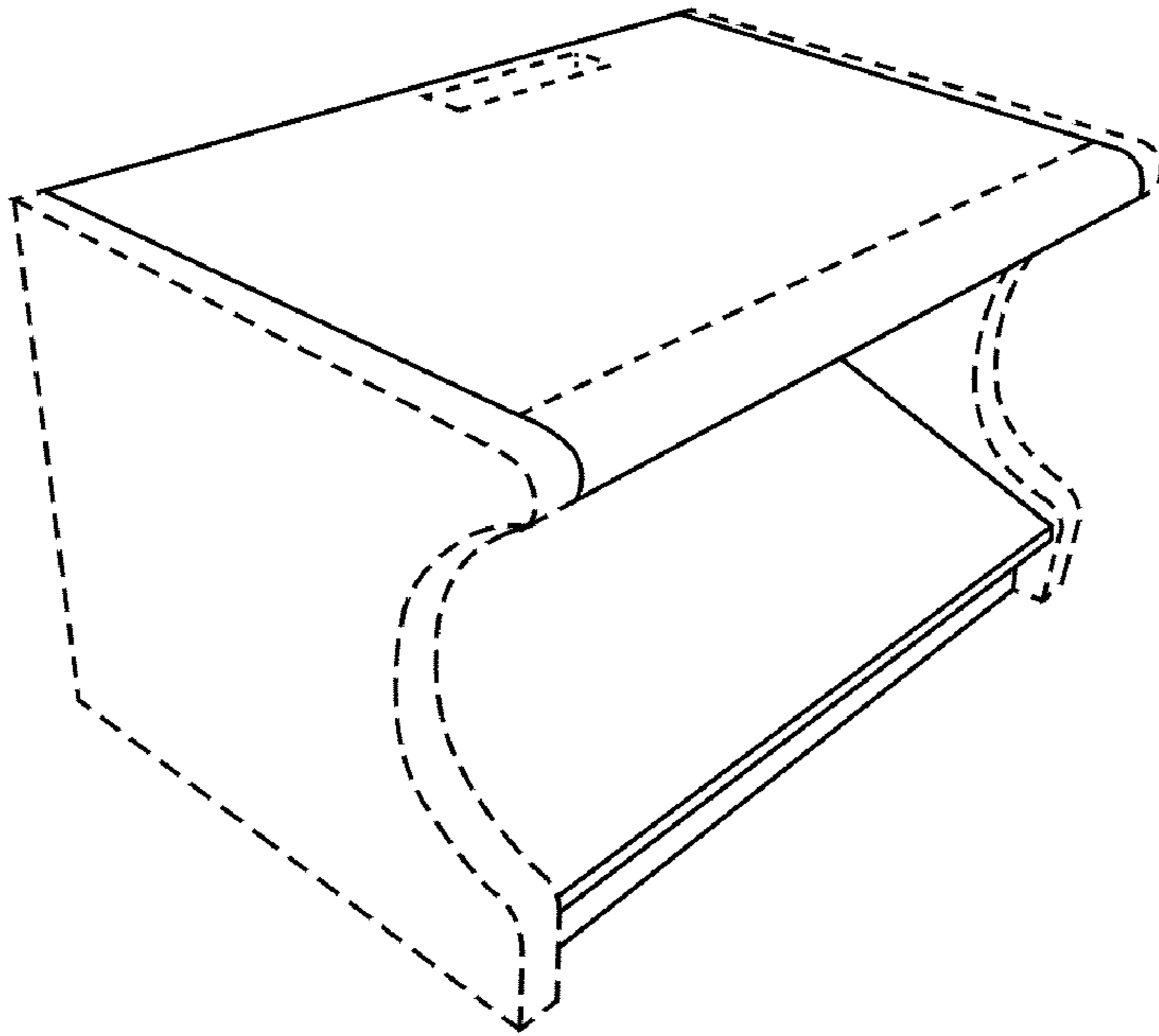


Fig. 2

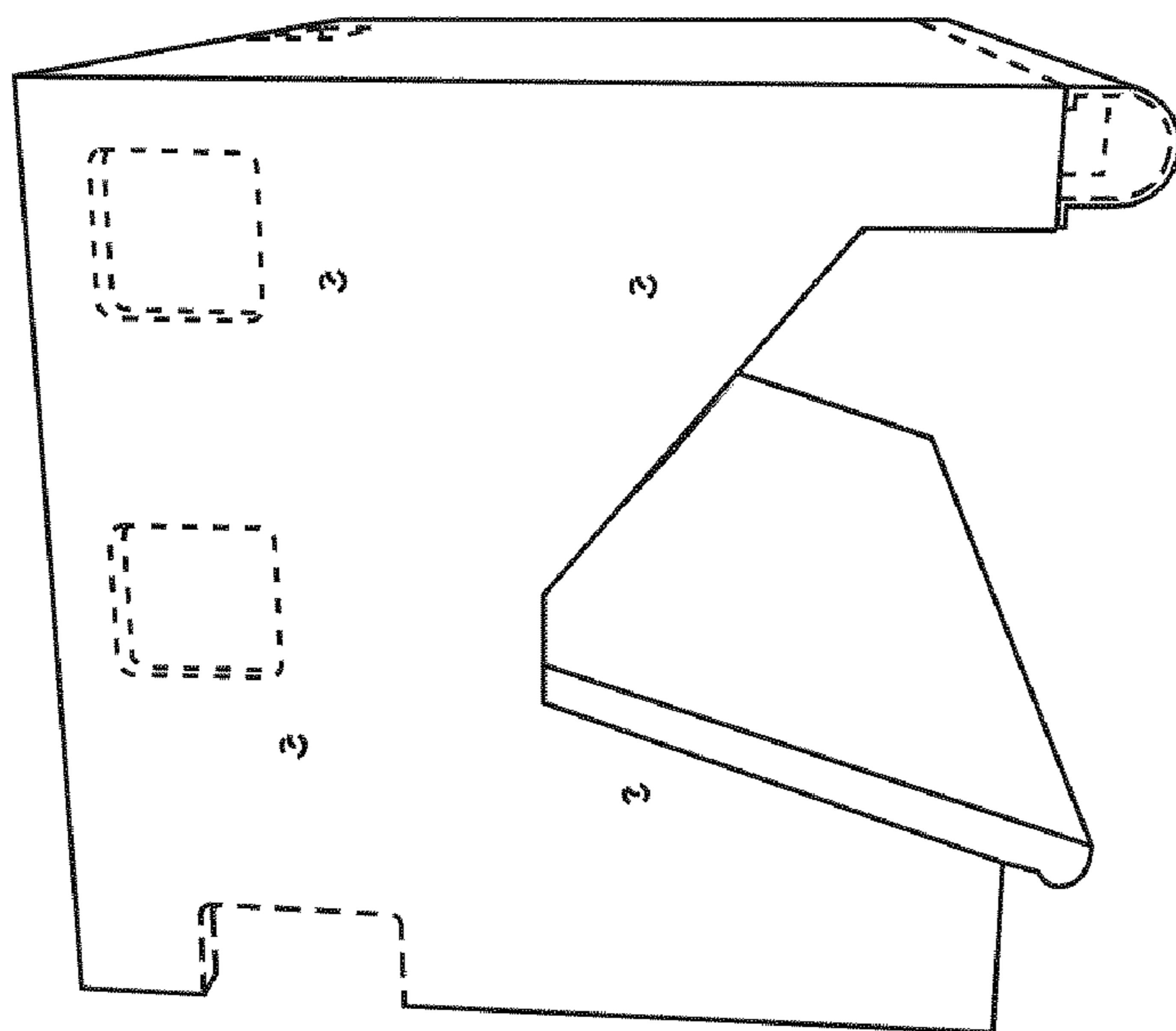


FIG. 3

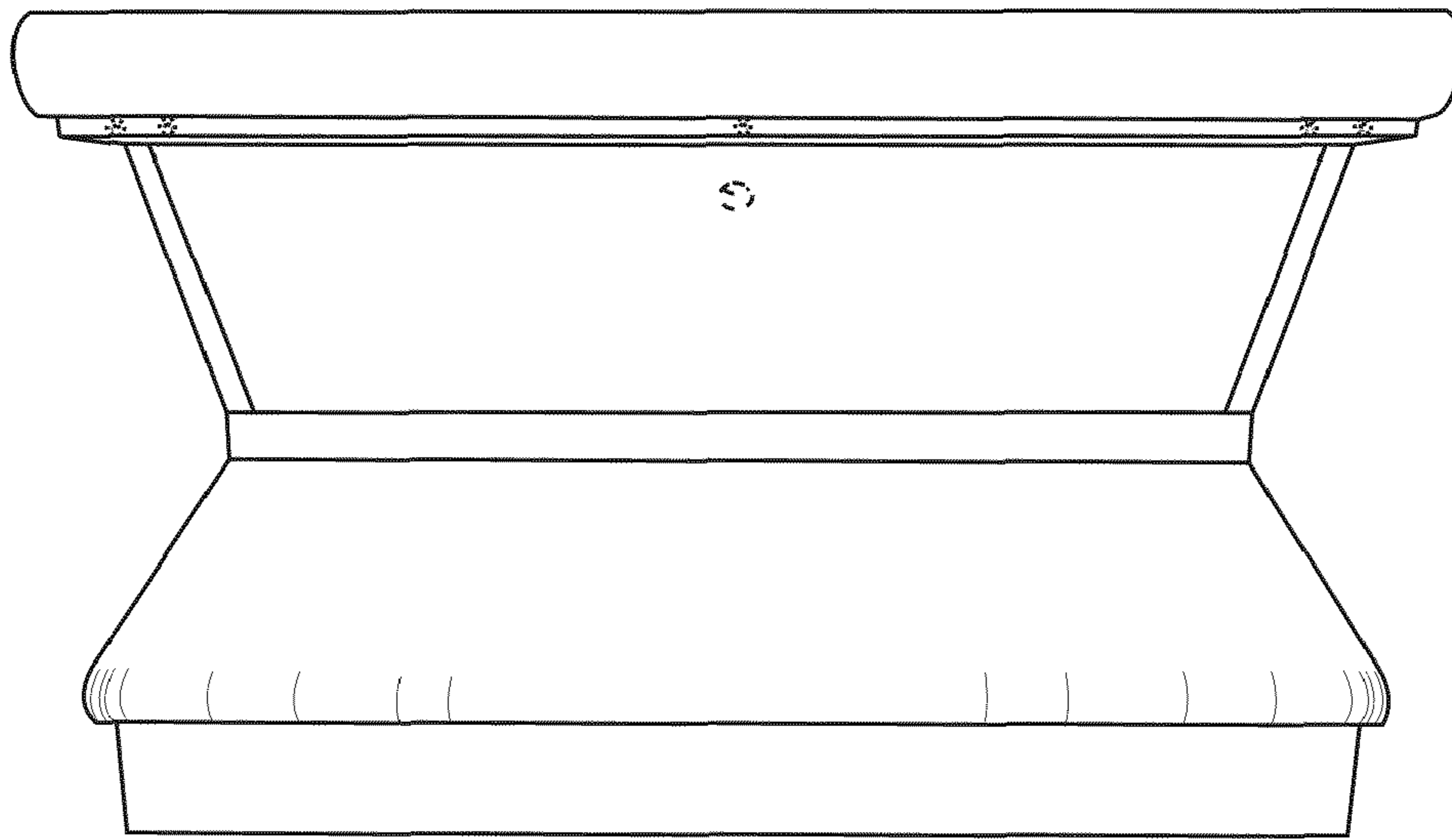


FIG. 4

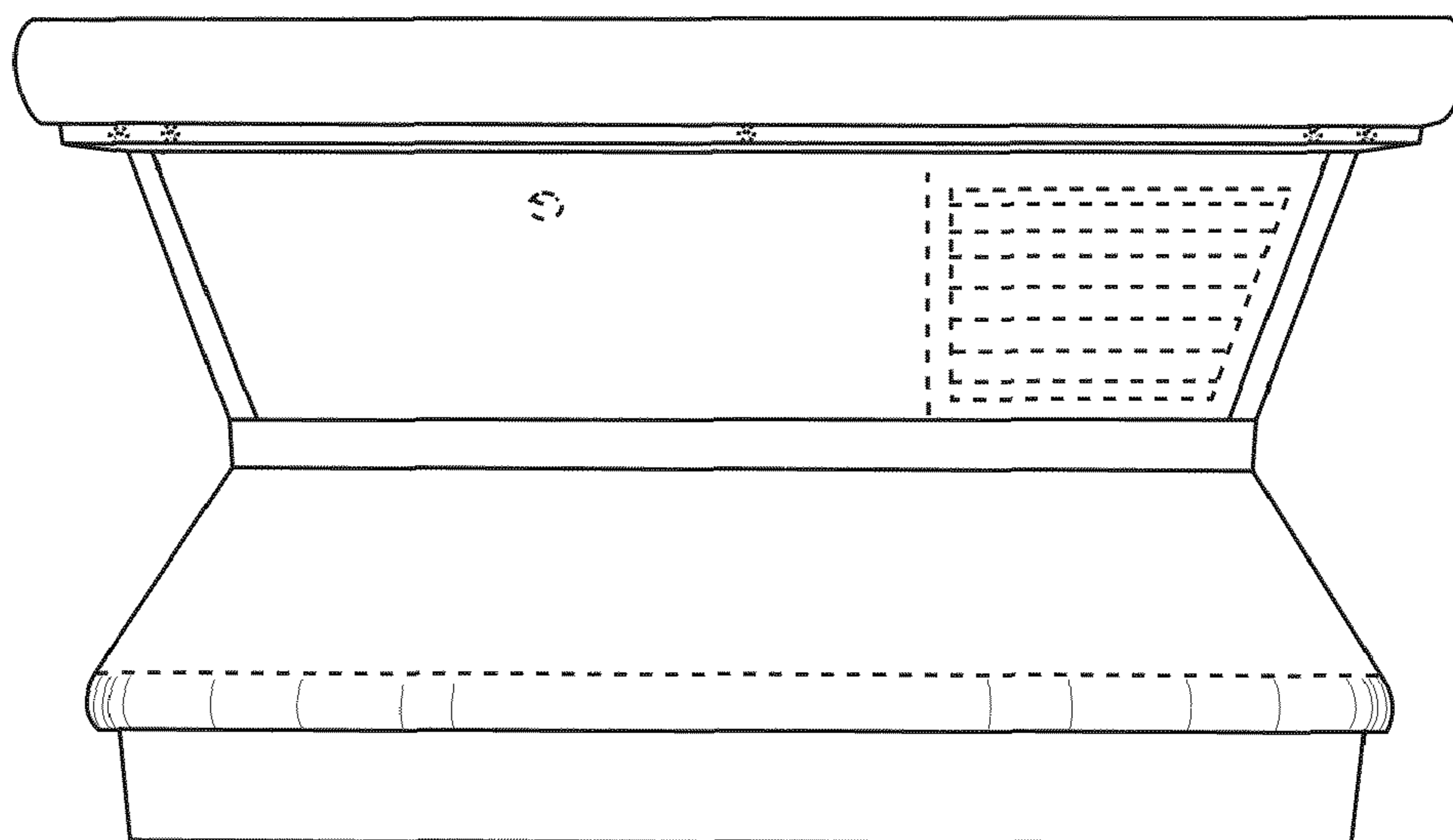


Fig. 5

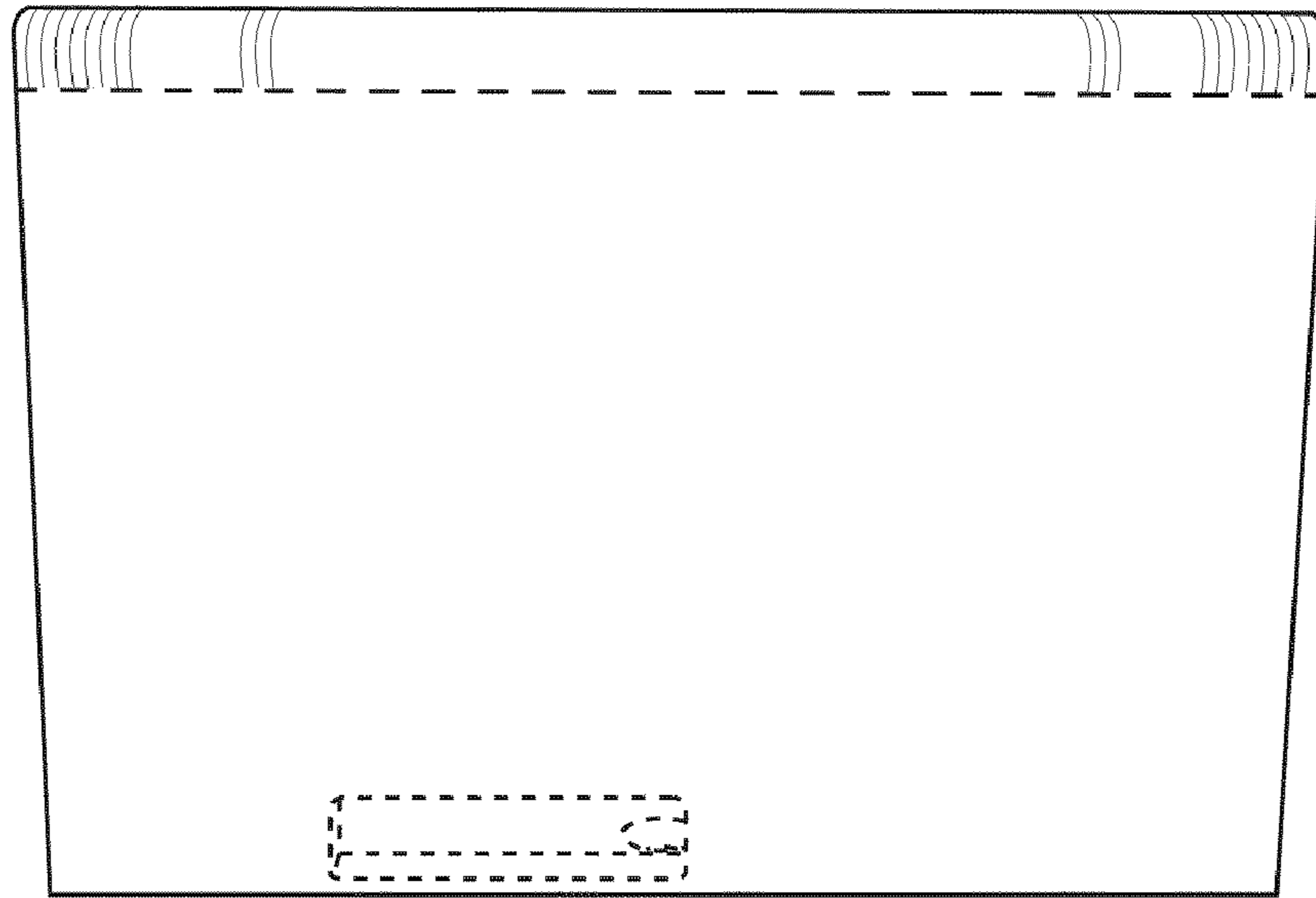


Fig. 6

