



US00D655760S

(12) **United States Design Patent**
Ikeda et al.

(10) **Patent No.:** **US D655,760 S**

(45) **Date of Patent:** **** Mar. 13, 2012**

(54) **GAME CONTROLLER**

(75) Inventors: **John Ikeda**, Seattle, WA (US); **Scott Harold Wilson**, Chicago, IL (US); **Dennis Matthew Puhalla**, Chicago, IL (US); **Brett D. Christie**, Seattle, WA (US)

(73) Assignee: **Microsoft Corporation**, Redmond, WA (US)

(**) Term: **14 Years**

(21) Appl. No.: **29/393,645**

(22) Filed: **Jun. 7, 2011**

(51) **LOC (9) Cl.** **21-01**

(52) **U.S. Cl.** **D21/333; D14/400**

(58) **Field of Classification Search** D21/324, D21/328, 333, 385, 477, 566; D14/399-402, D14/412, 414, 416, 432; 273/148 B, 449, 273/441, 442; 463/1, 29-35, 46, 47; 345/156, 345/161; 434/45, 46

See application file for complete search history.

(56) **References Cited**

U.S. PATENT DOCUMENTS

5,829,745	A *	11/1998	Houle	273/148 B
D424,000	S	5/2000	An et al.		
6,544,124	B2 *	4/2003	Ireland et al.	463/37
D497,365	S *	10/2004	Hussaini et al.	D14/414
6,976,677	B1 *	12/2005	McVicar	273/148 B
D517,124	S *	3/2006	Merril et al.	D21/324
D522,516	S *	6/2006	Hussaini et al.	D14/414
D558,651	S	1/2008	Ikeda et al.		
7,316,618	B2 *	1/2008	Hsu	463/37
D562,323	S *	2/2008	Kutaragi et al.	D14/401
D566,781	S	4/2008	Ikeda et al.		
D568,409	S	5/2008	Ikeda et al.		
D586,865	S *	2/2009	Ko et al.	D21/333
D615,131	S *	5/2010	Biheller	D21/333
D639,865	S *	6/2011	Sogabe et al.	D21/333
D641,797	S *	7/2011	Chen	D21/333

OTHER PUBLICATIONS

Steering Wheel for iPhone and iPad Touch by CTA Digital disclosed Oct. 2009, [online], [retrieved on Nov. 8, 2011]. Retrieved from Internet, <URL:http://technology.nicefun.net/tag/racing/>.

* cited by examiner

Primary Examiner — Prabhakar Deshmukh

(74) *Attorney, Agent, or Firm* — Banner & Witcoff, Ltd.

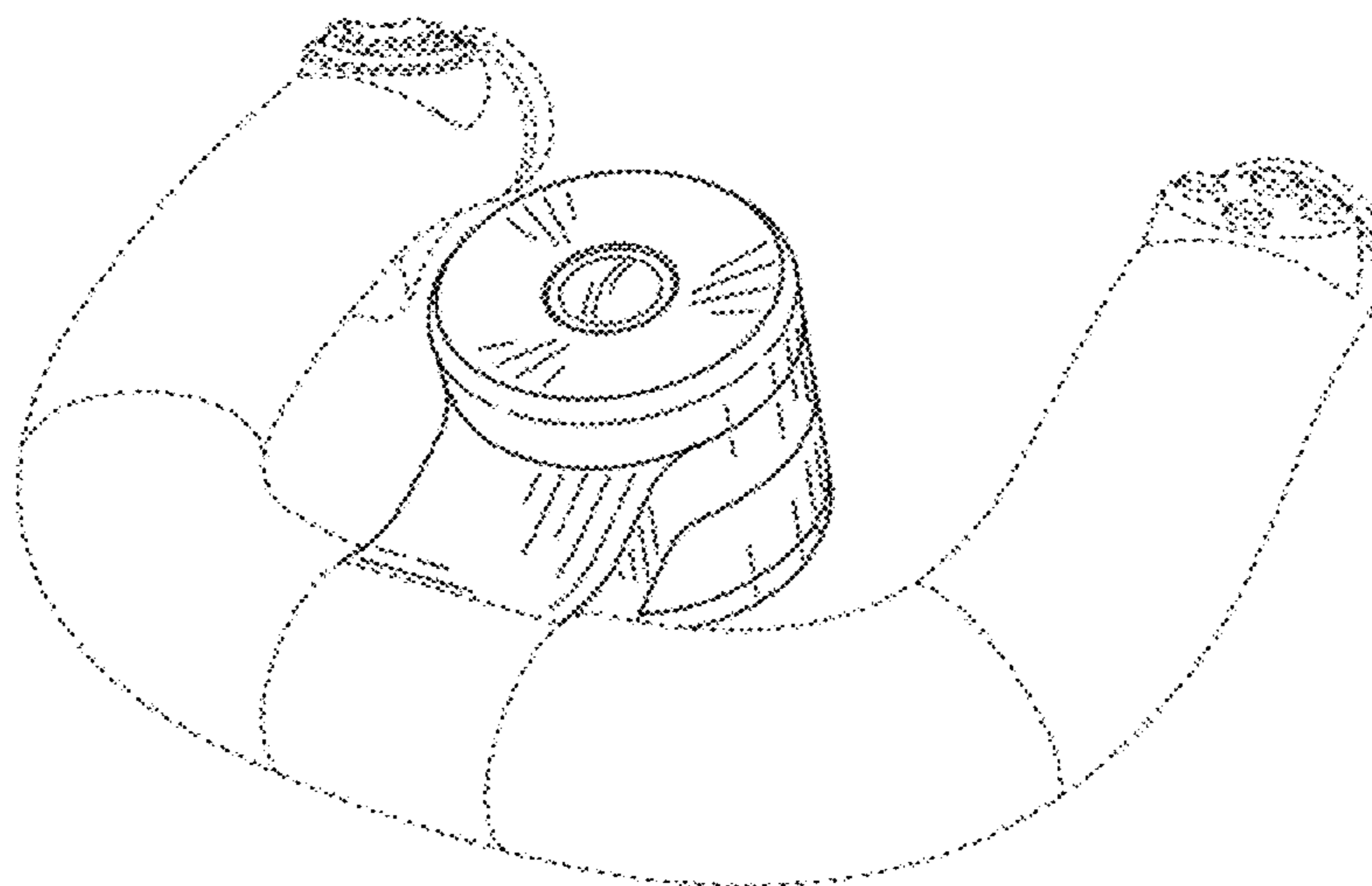
(57) **CLAIM**

The ornamental design for a game controller, as shown and described.

DESCRIPTION

FIG. 1 is a front perspective view of a game controller showing our new design;
FIG. 2 is a bottom view thereof;
FIG. 3 is a top view thereof;
FIG. 4 is a right side view thereof;
FIG. 5 is a left side view thereof;
FIG. 6 is a front view thereof;
FIG. 7 is a rear view thereof;
FIG. 8 is a rear perspective view thereof;
FIG. 9 is a front perspective view of a game controller showing a second embodiment of our new design;
FIG. 10 is a bottom view thereof;
FIG. 11 is a top view thereof;
FIG. 12 is a right side view thereof;
FIG. 13 is a left side view thereof;
FIG. 14 is a front view thereof;
FIG. 15 is a rear view thereof; and,
FIG. 16 is a rear perspective view thereof.
The broken line showing of the remainder of the game controller is for environmental purposes only and forms no part of the claimed design.

1 Claim, 10 Drawing Sheets



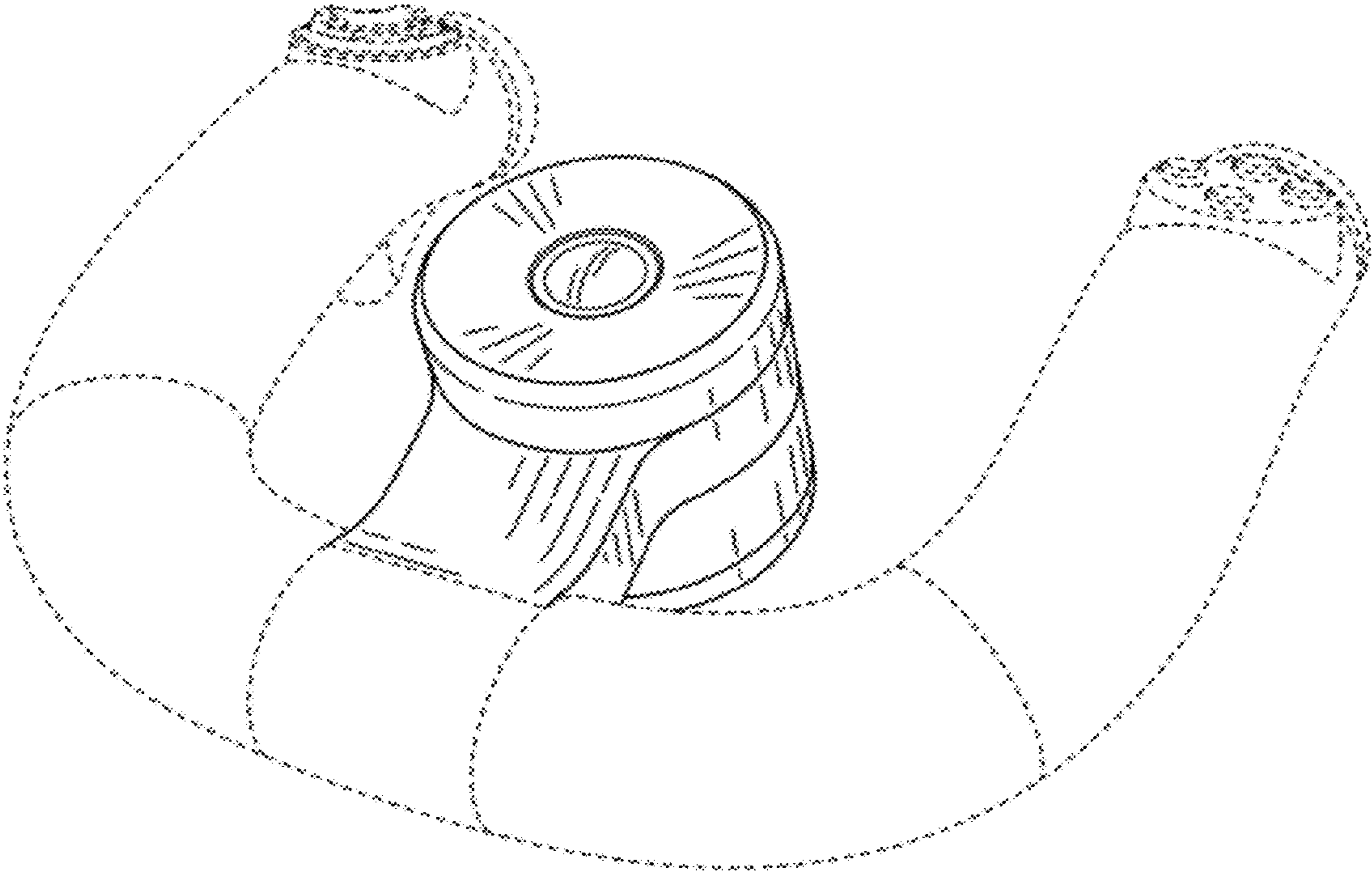


FIG. 1

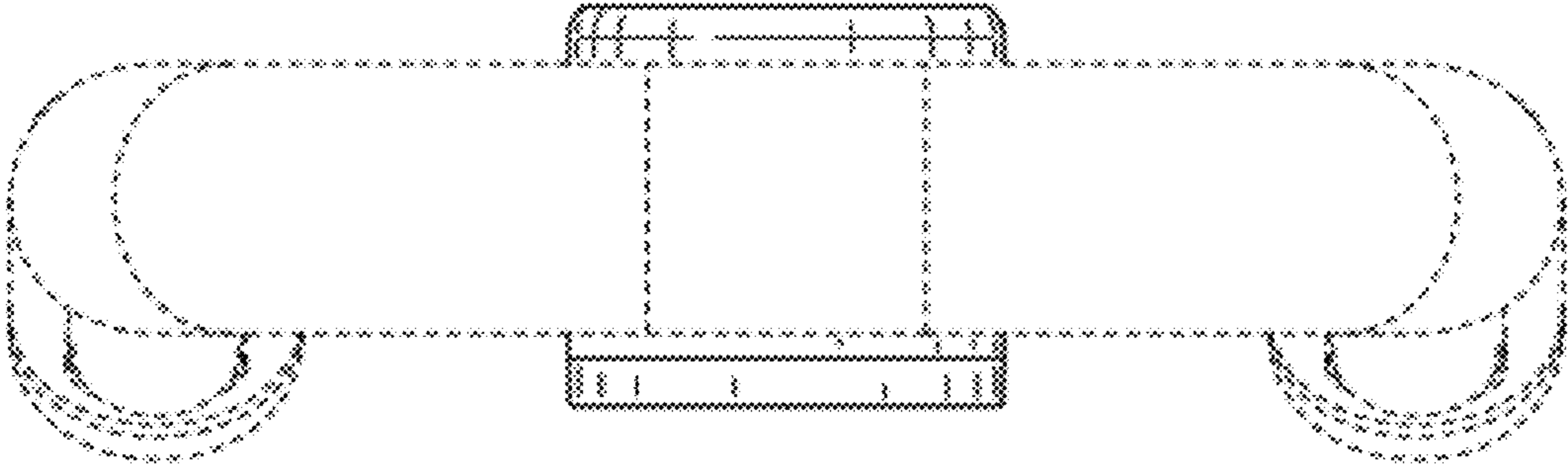


FIG. 2

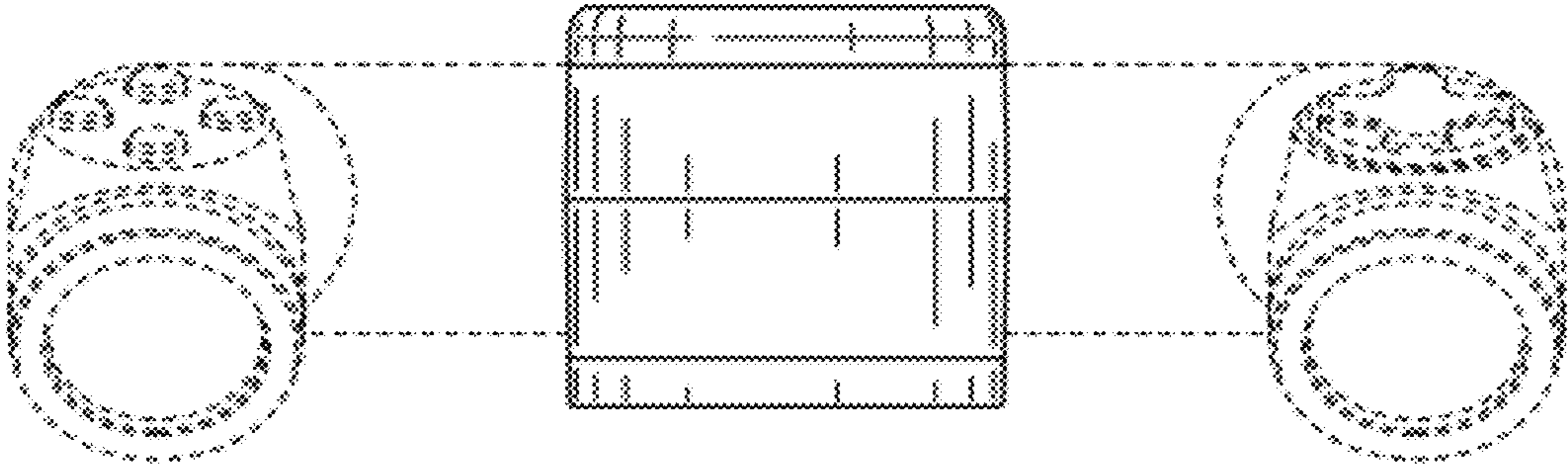


FIG. 3

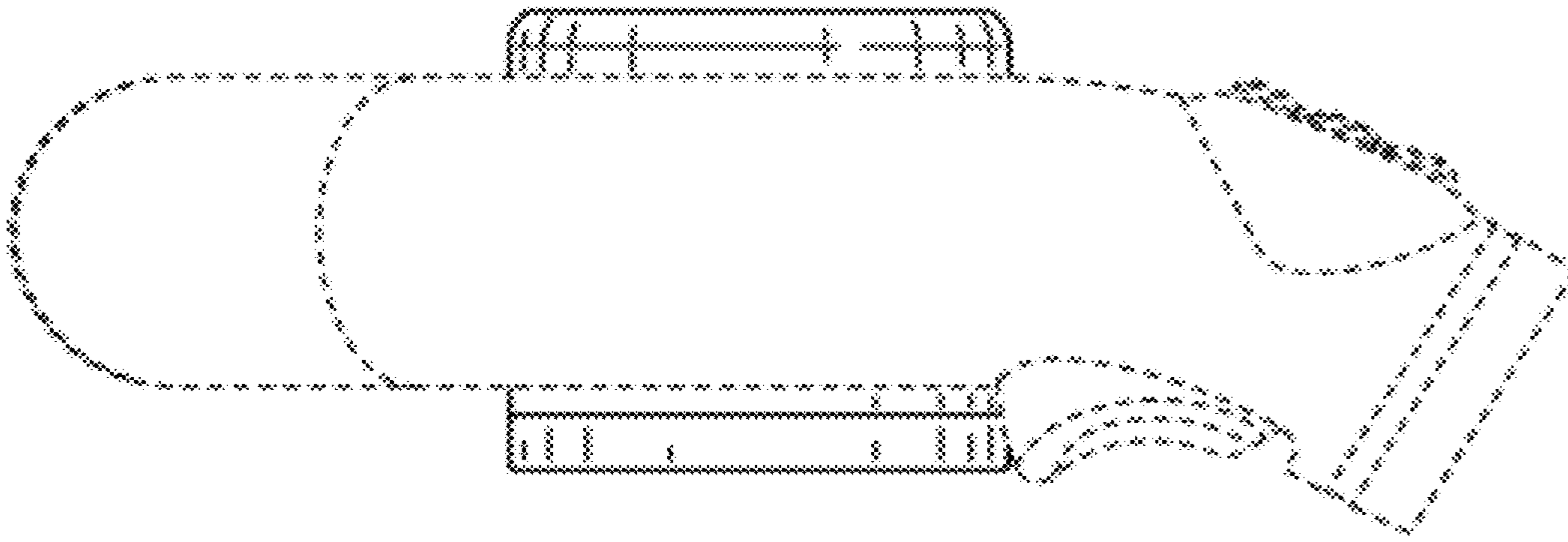


FIG. 4

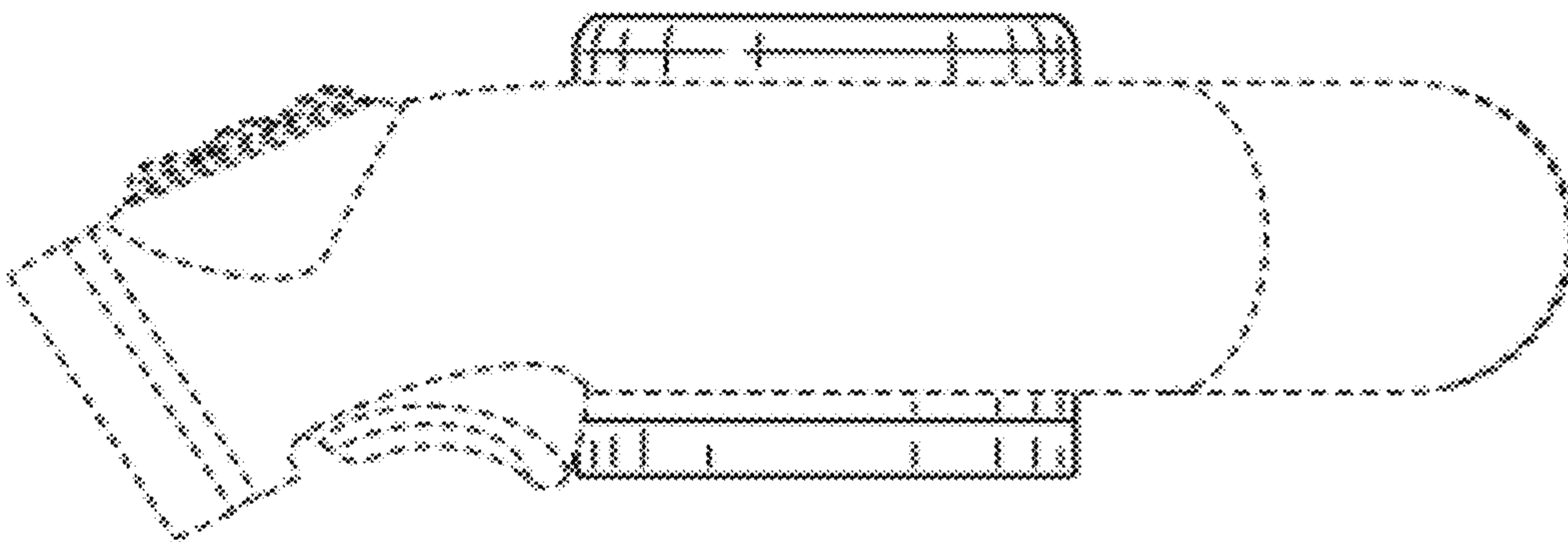


FIG. 5

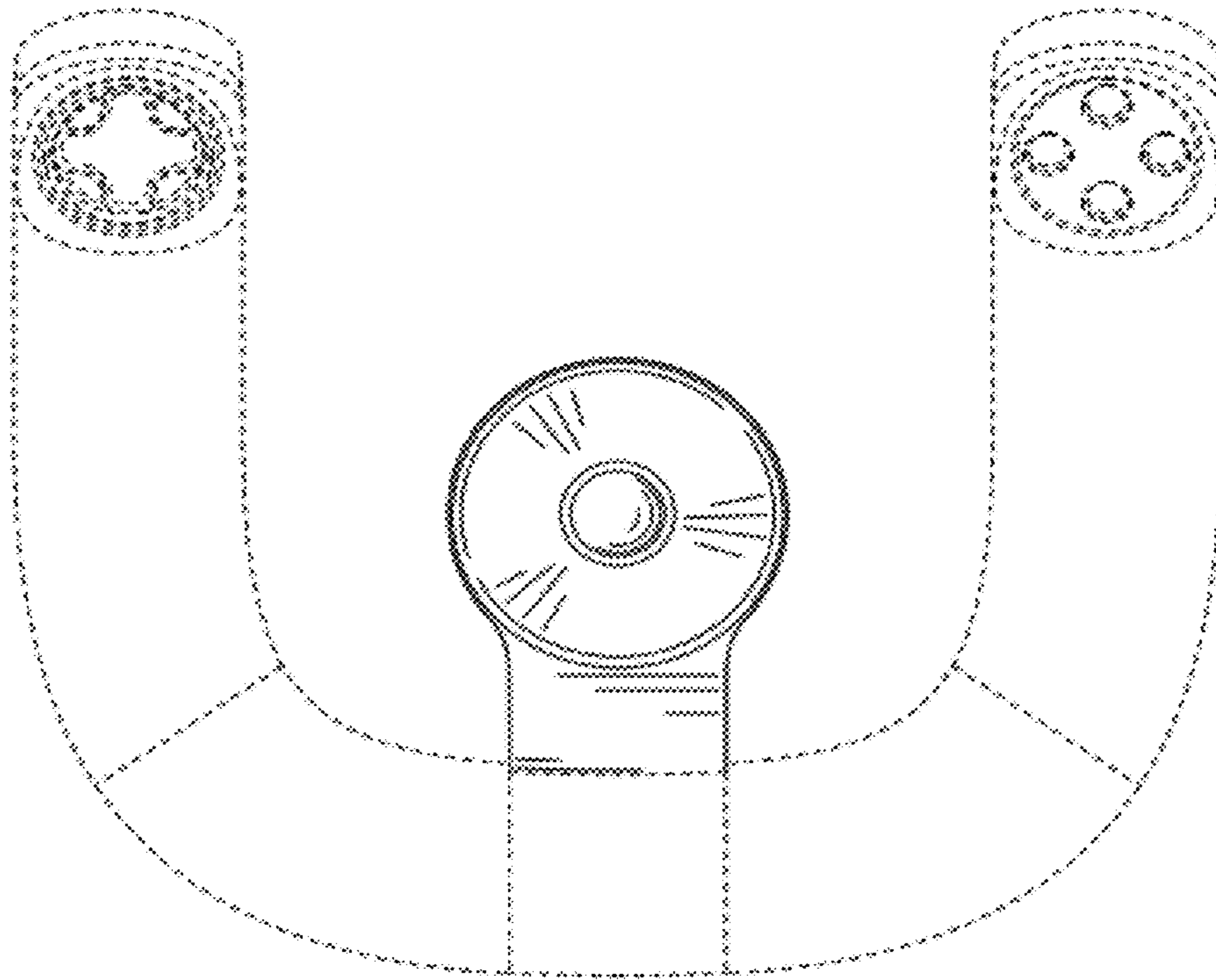


FIG. 6

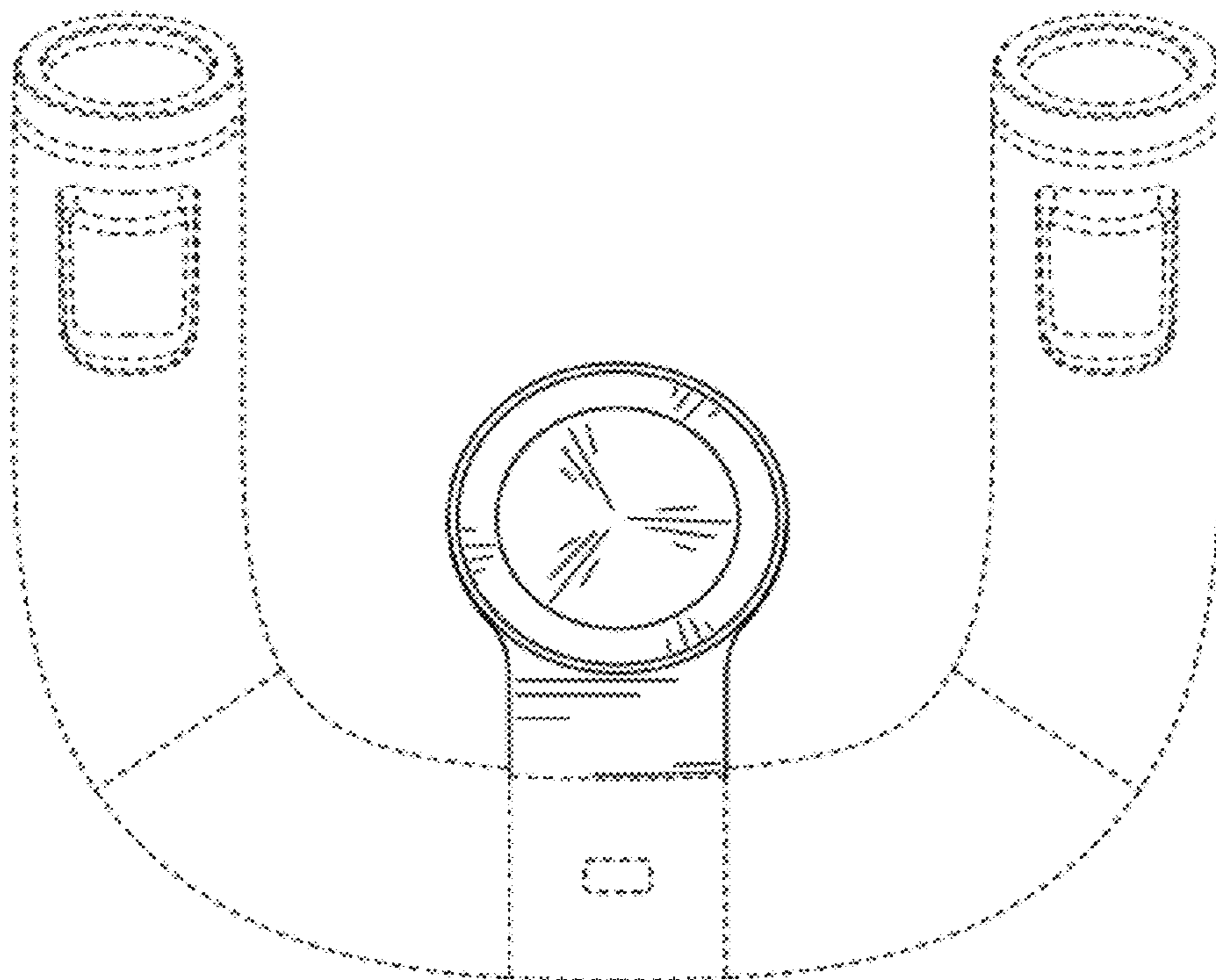


FIG. 7

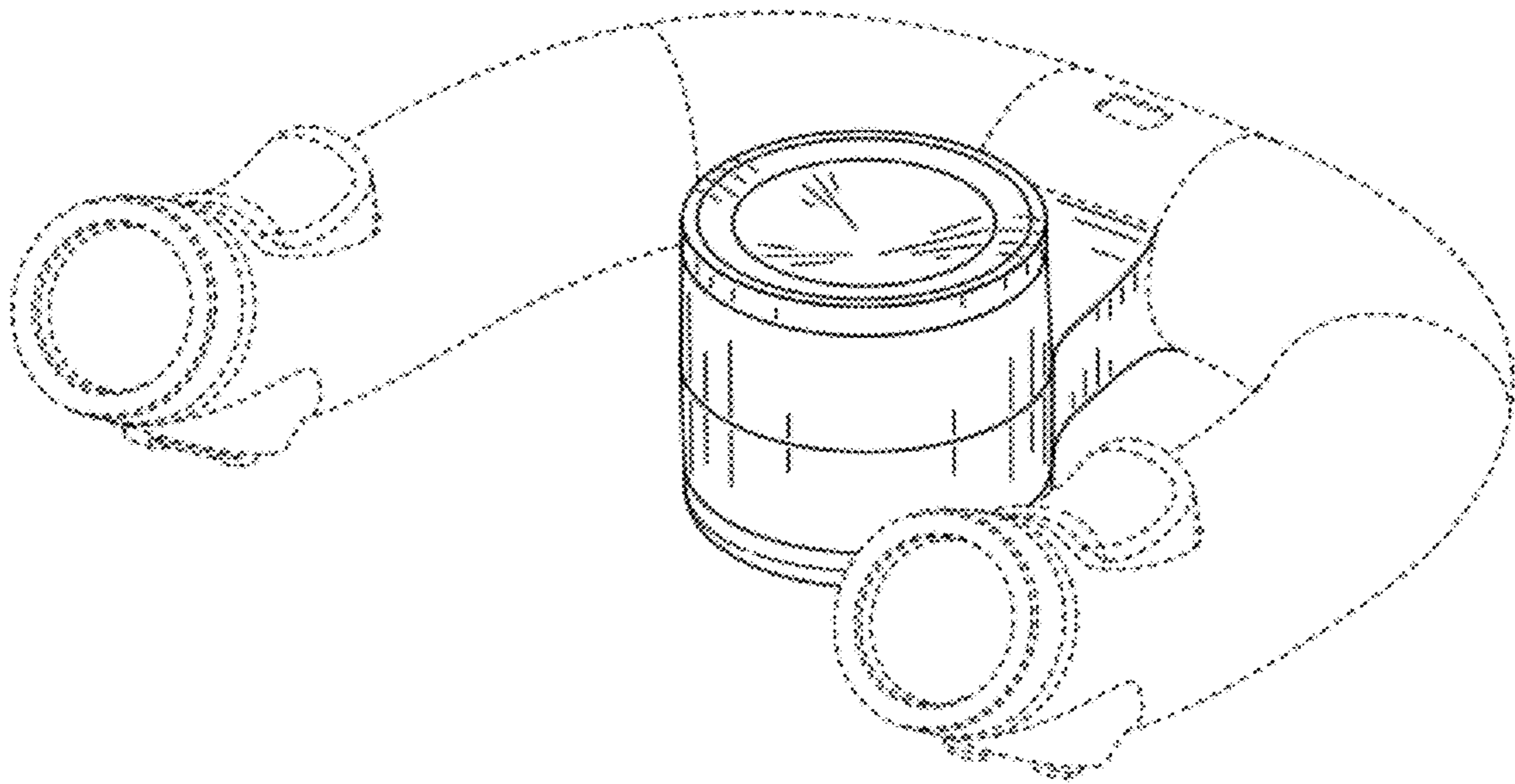


FIG. 8

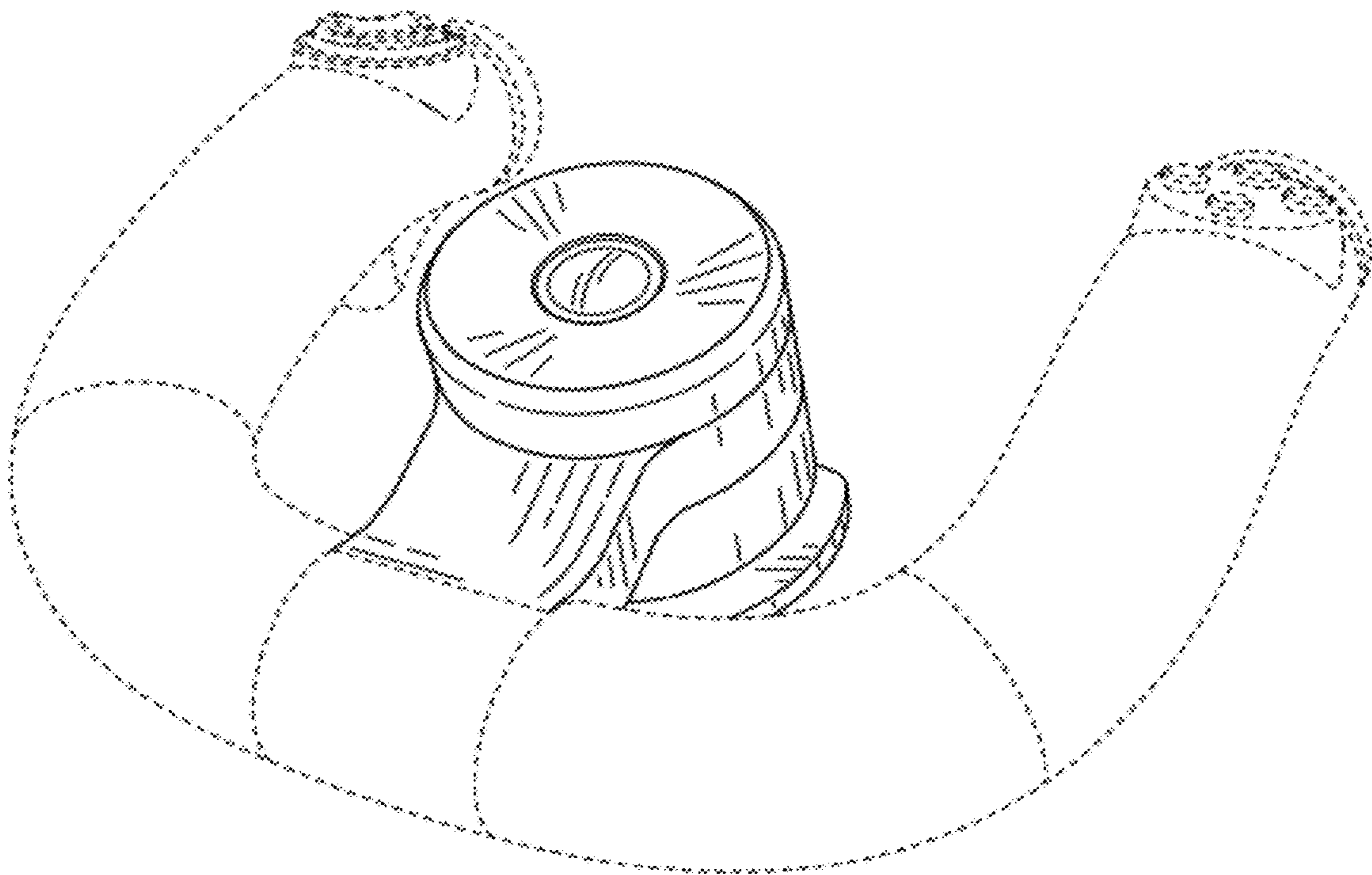


FIG. 9

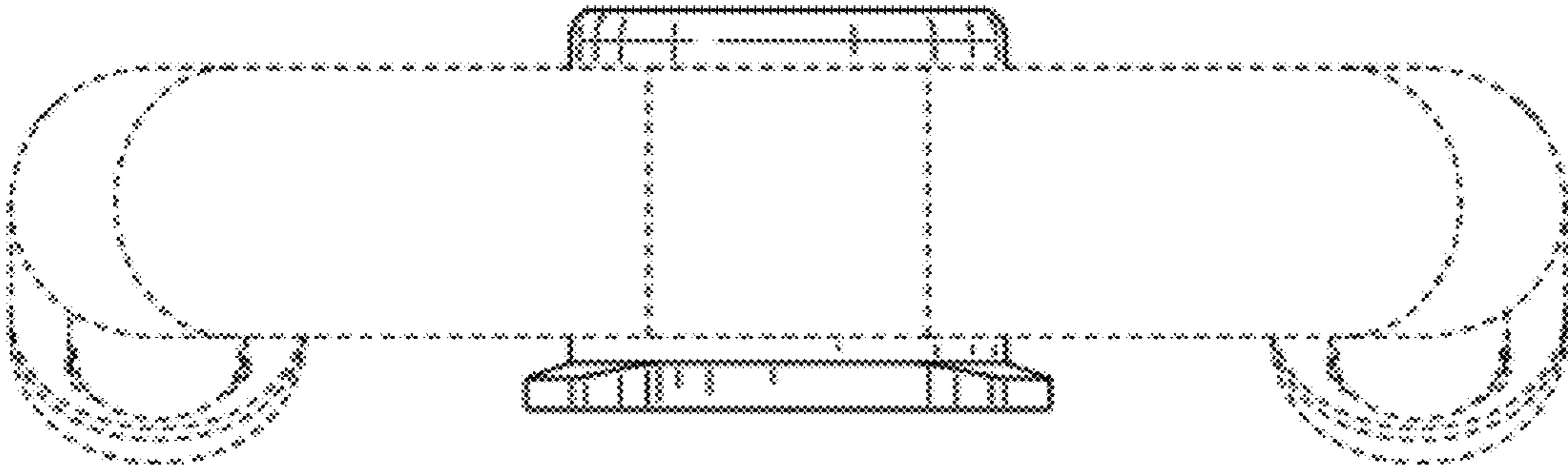


FIG. 10

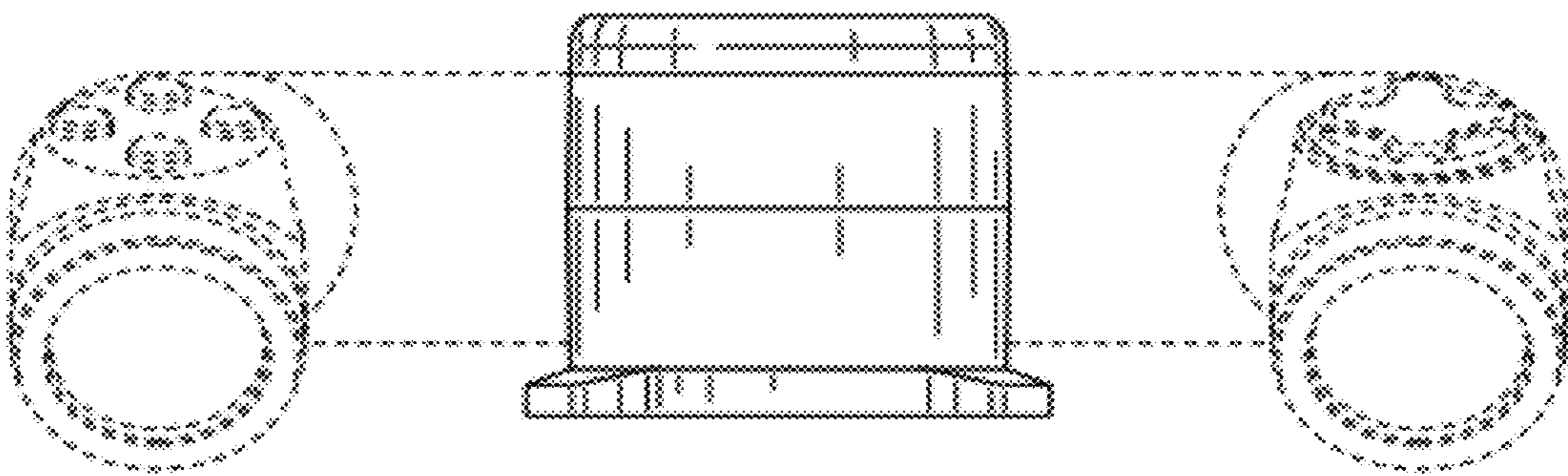


FIG. 11

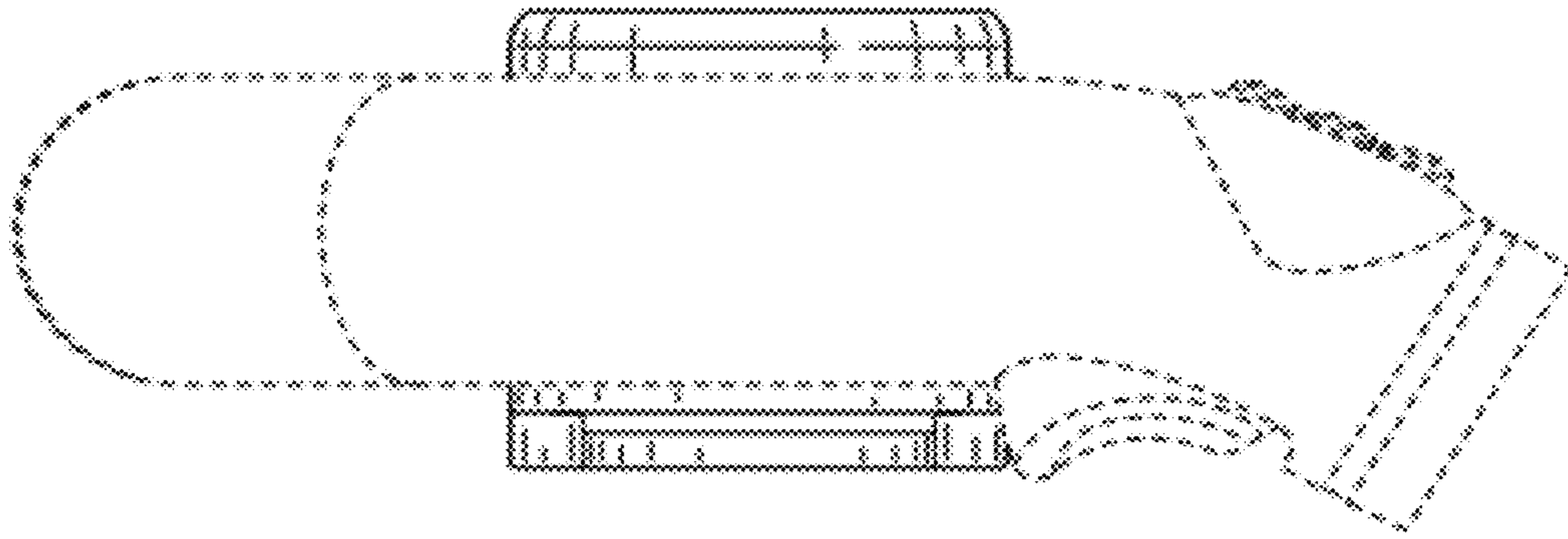


FIG. 12

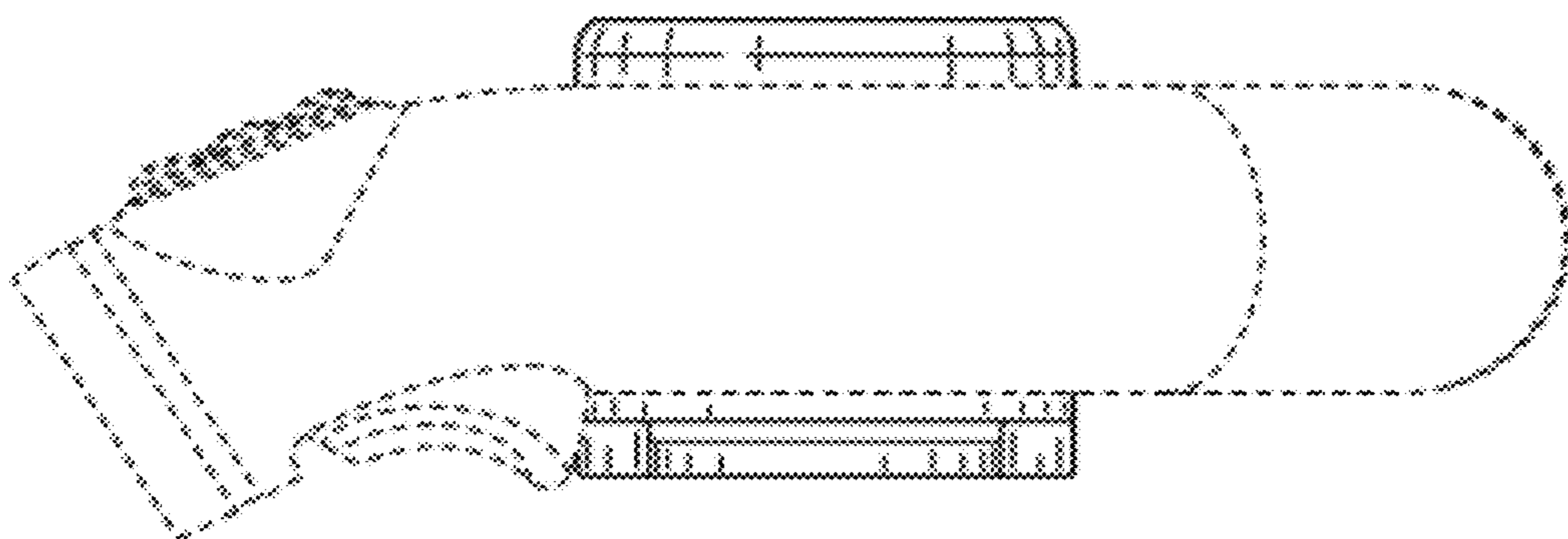


FIG. 13

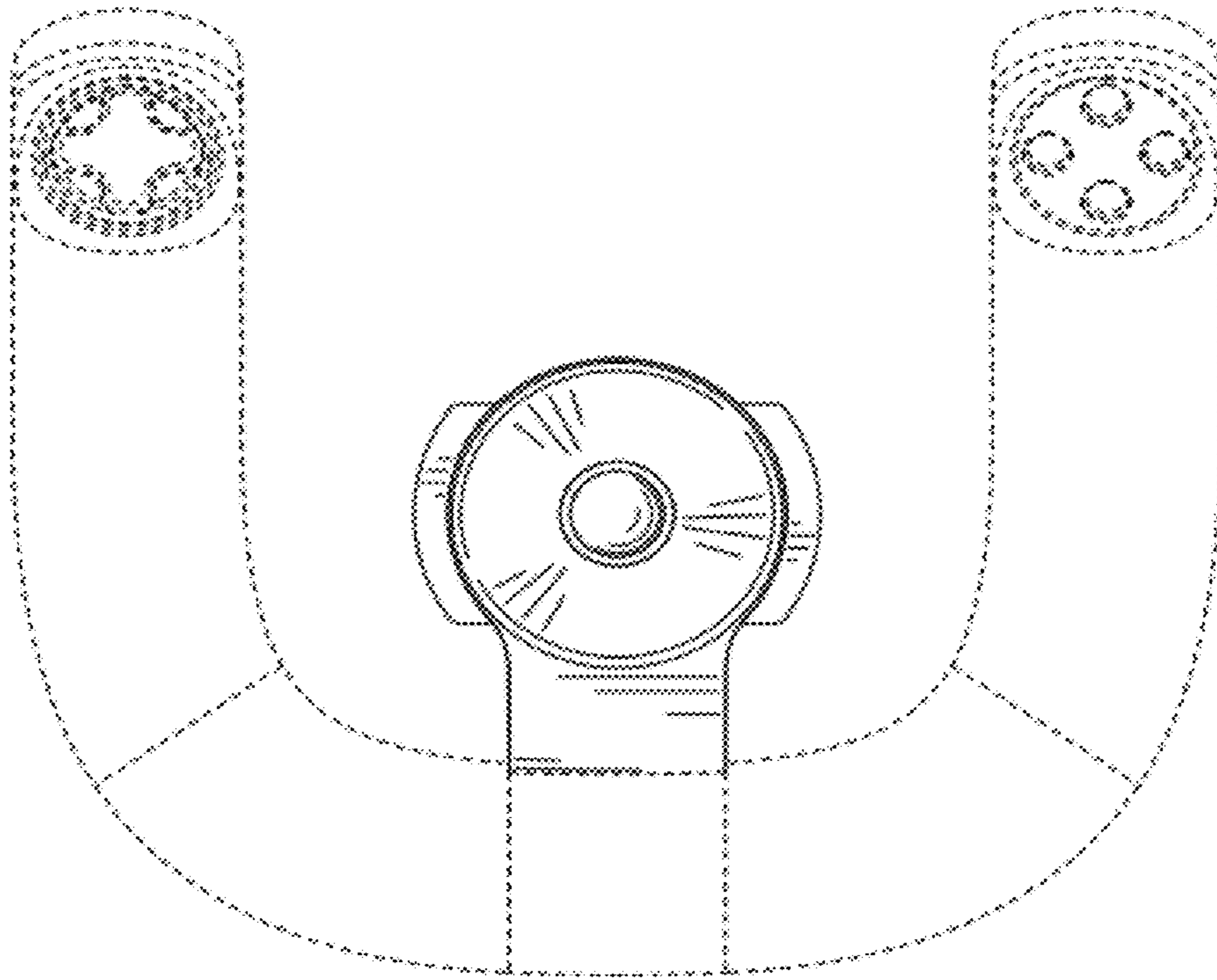


FIG. 14

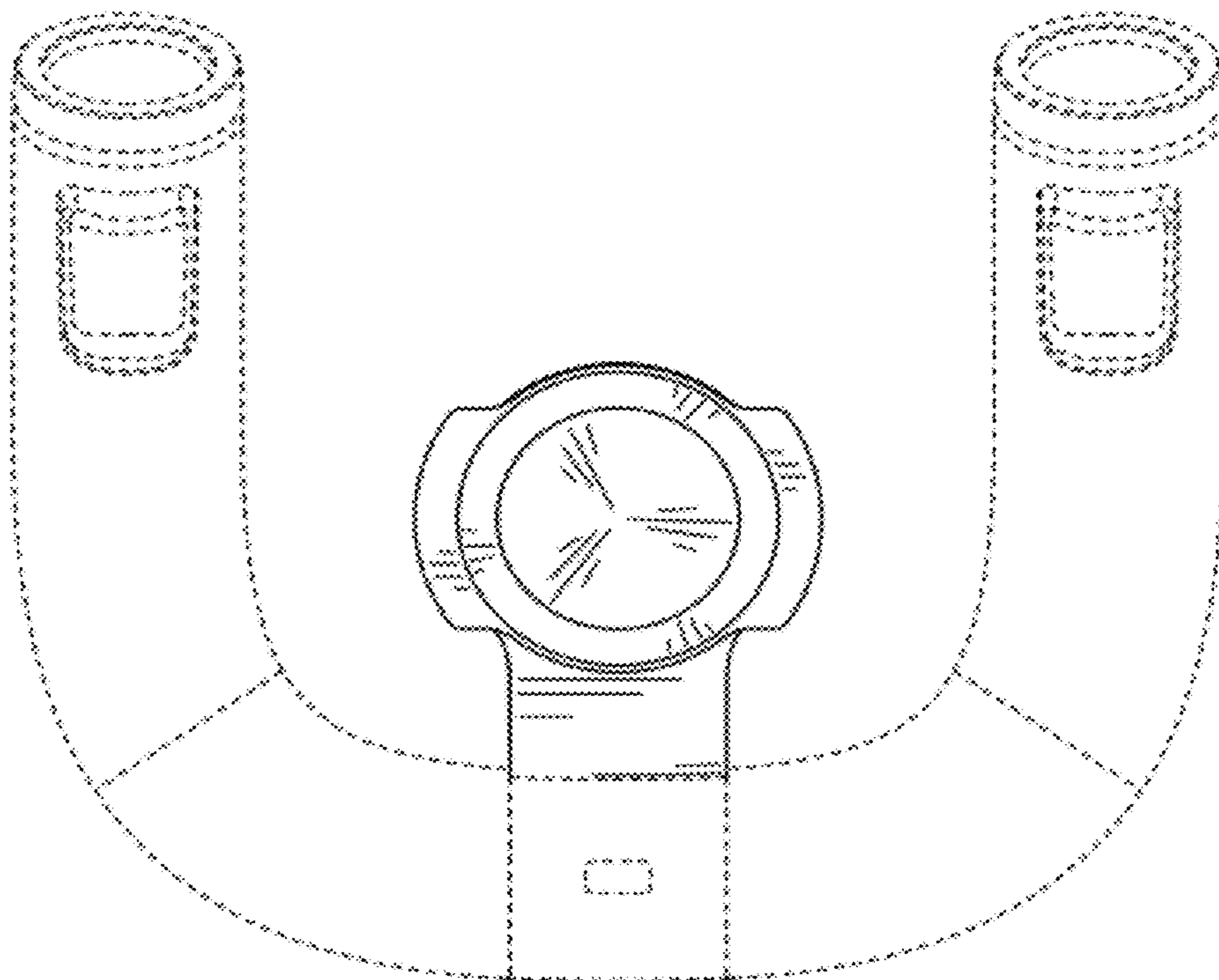


FIG. 15

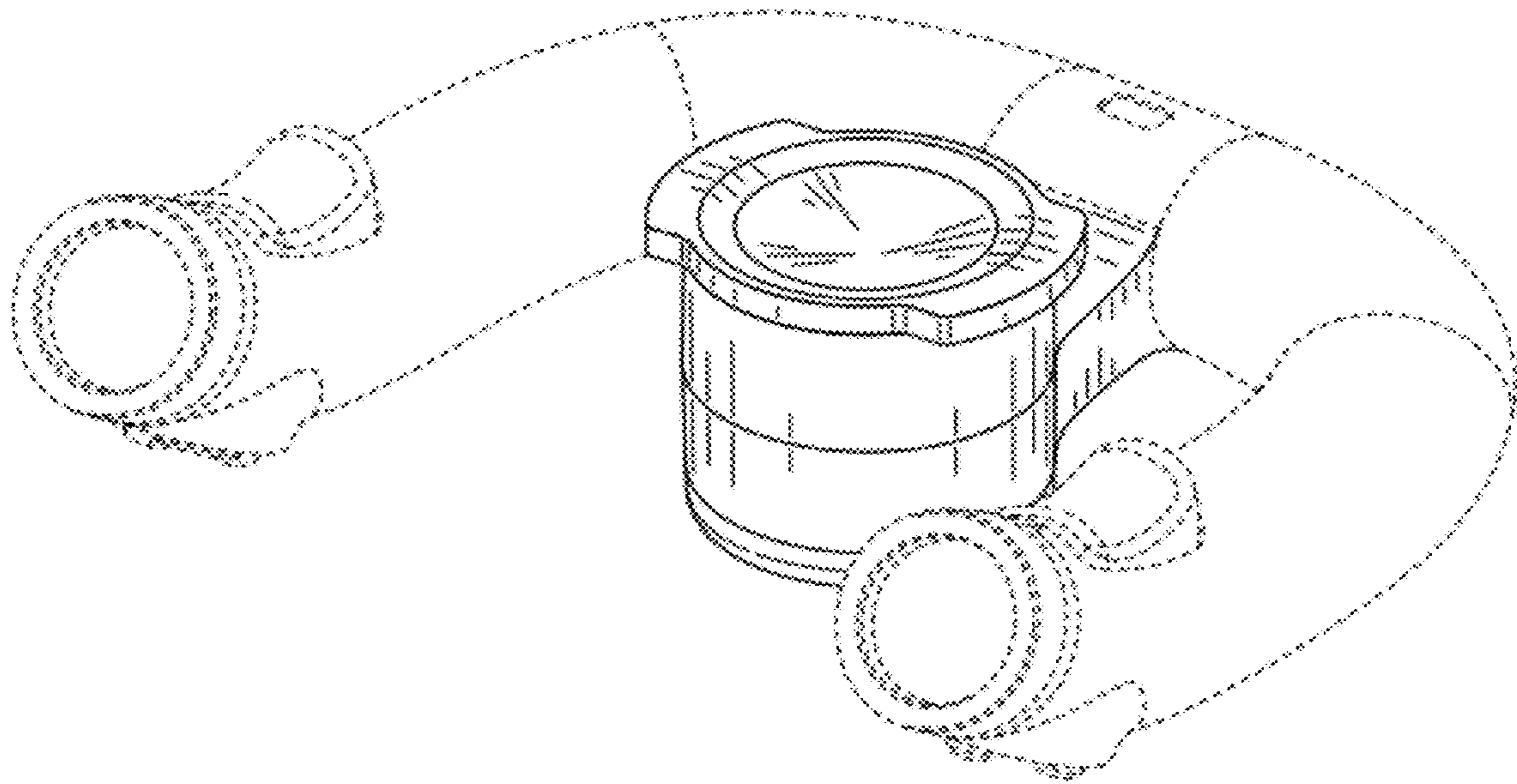


FIG. 16