



US00D655759S

(12) **United States Design Patent**
Still

(10) **Patent No.:** **US D655,759 S**
(45) **Date of Patent:** **** Mar. 13, 2012**

(54) **PROTECTIVE COVERING FOR ELECTRONIC DEVICE**

(76) Inventor: **Russell F. Still**, Cumming, GA (US)

(**) Term: **14 Years**

(21) Appl. No.: **29/390,493**

(22) Filed: **Apr. 26, 2011**

(51) **LOC (9) Cl.** **21-01**

(52) **U.S. Cl.** **D21/333**

(58) **Field of Classification Search** D14/218,
D14/432, 356, 358.44, 400, 401; D21/332,
D21/333, 324, 328; 273/148 B; 463/1, 29-47;
D3/218, 301; 361/807-810; 248/689, 690,
248/309.1, 314, 346.01, 346.03, 346.06,
248/346.04; 206/320, 305

See application file for complete search history.

(56) **References Cited**

U.S. PATENT DOCUMENTS

5,046,739	A *	9/1991	Reichow	273/148 B
5,501,458	A *	3/1996	Mallory	273/148 B
D432,586	S *	10/2000	Galli-Zugaro et al.	D21/333
D434,811	S *	12/2000	Aleman	D21/333
6,241,247	B1 *	6/2001	Sternberg et al.	273/148 B
6,932,341	B1 *	8/2005	Kenyon	273/148 B
7,046,508	B2 *	5/2006	Lin	361/679.59
D555,667	S *	11/2007	Hussaini et al.	D14/496
D624,601	S *	9/2010	Grossman	D21/333

D632,341	S *	2/2011	Lim et al.	D21/333
D632,742	S *	2/2011	Mueller	D21/333
D632,743	S *	2/2011	Mueller	D21/333

* cited by examiner

Primary Examiner — Prabhakar Deshmukh

(74) *Attorney, Agent, or Firm* — Withers & Keys, LLC

(57) **CLAIM**

The design for a protective covering for electronic device, as shown and described.

DESCRIPTION

FIG. 1 is a top, right perspective view of a protective covering for an electronic device showing my new design, with the covering shown in a raised position;

FIG. 2 is a top, right perspective view thereof, with the door in an open position;

FIG. 3 is a bottom, left perspective view thereof, with the prop member in a stored position;

FIG. 4 is a top, plan view thereof, with the electronic device removed for clarity and the door in a closed position;

FIG. 5 is a right side elevational view of FIG. 4;

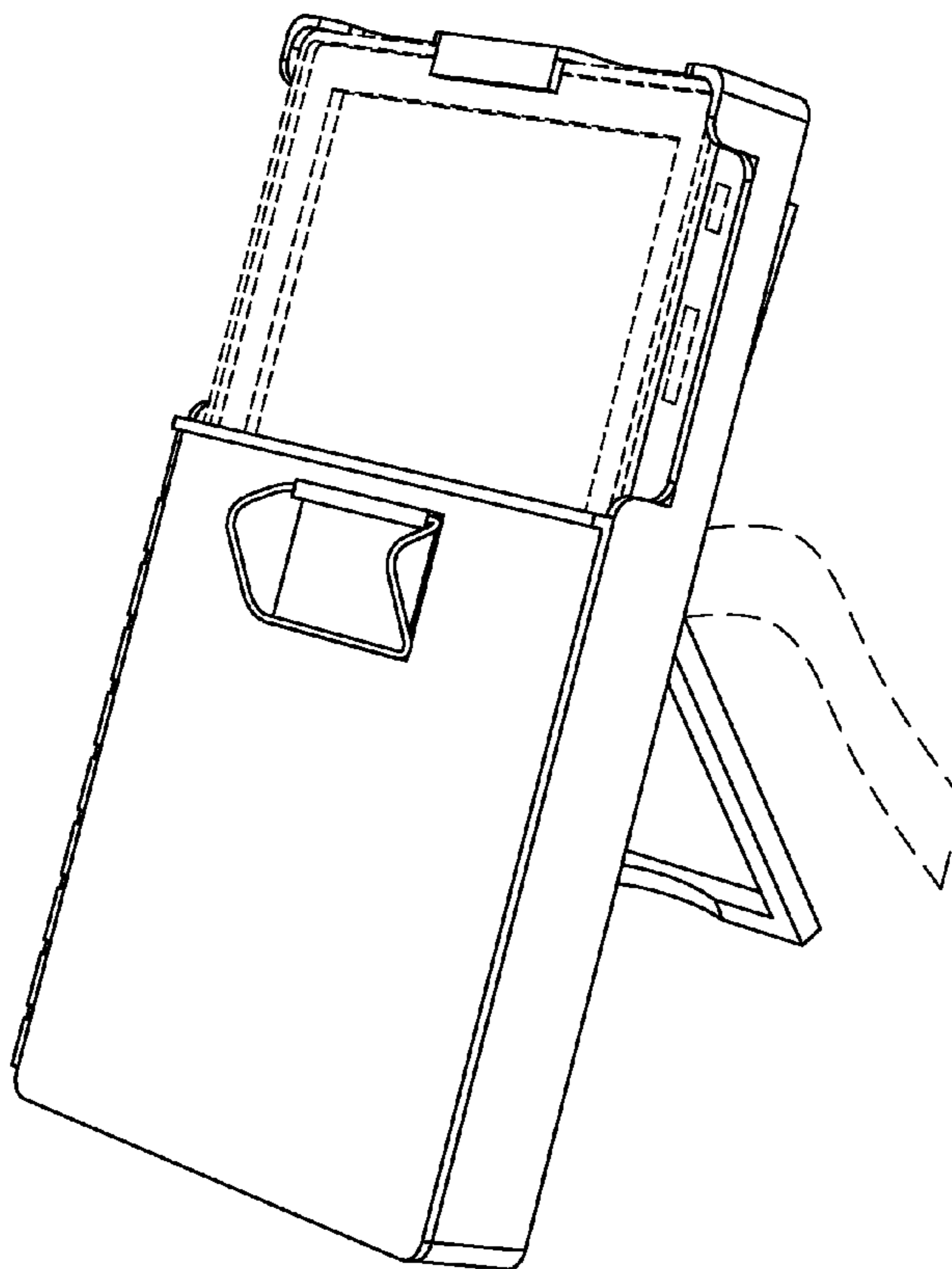
FIG. 6 is a rear elevational view of FIG. 4;

FIG. 7 is a bottom plan view of FIG. 3; and,

FIG. 8 is a front elevational view of FIG. 4.

The broken lines environment is for illustrative purpose only and forms no part of the claimed design.

1 Claim, 8 Drawing Sheets



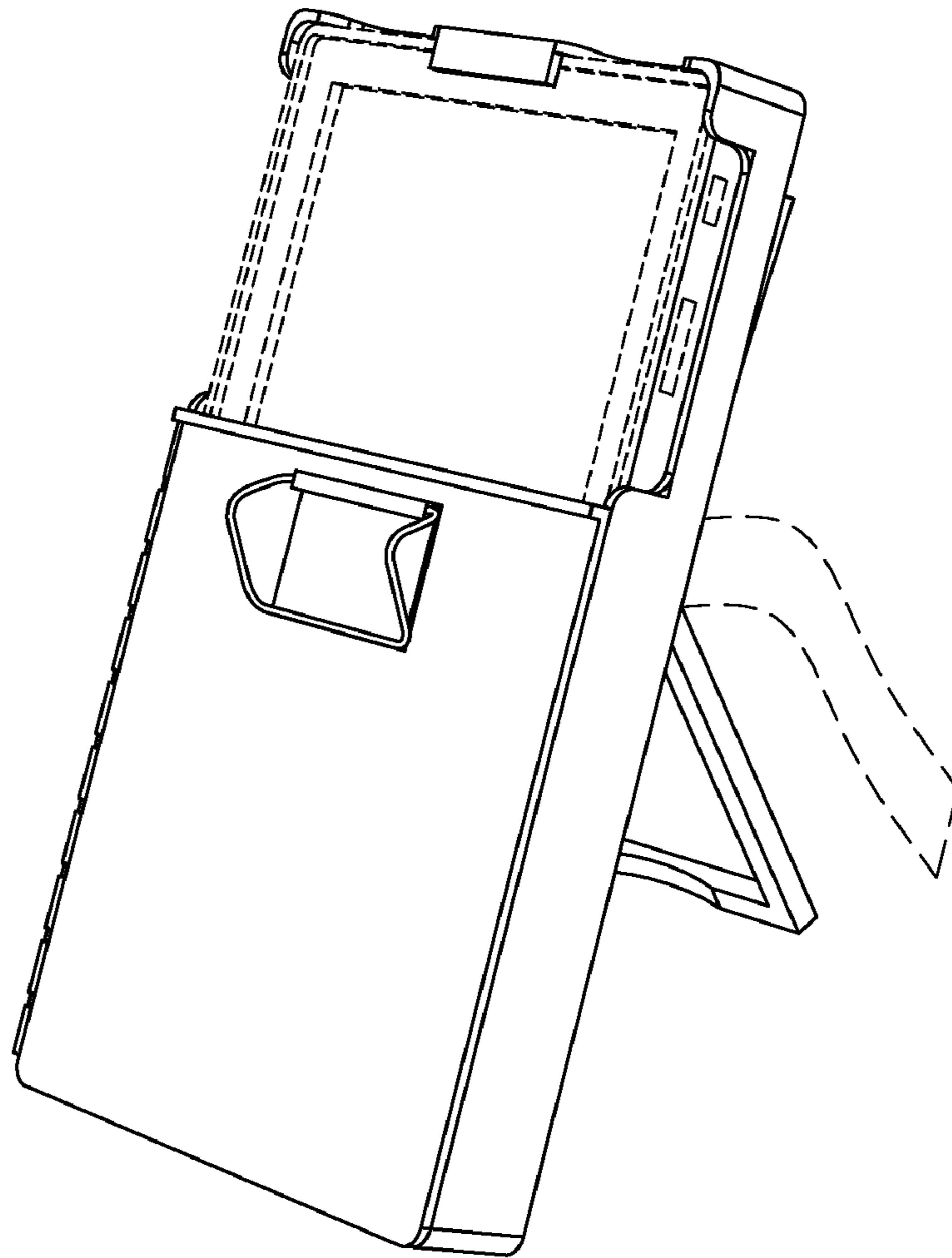


FIG. 1

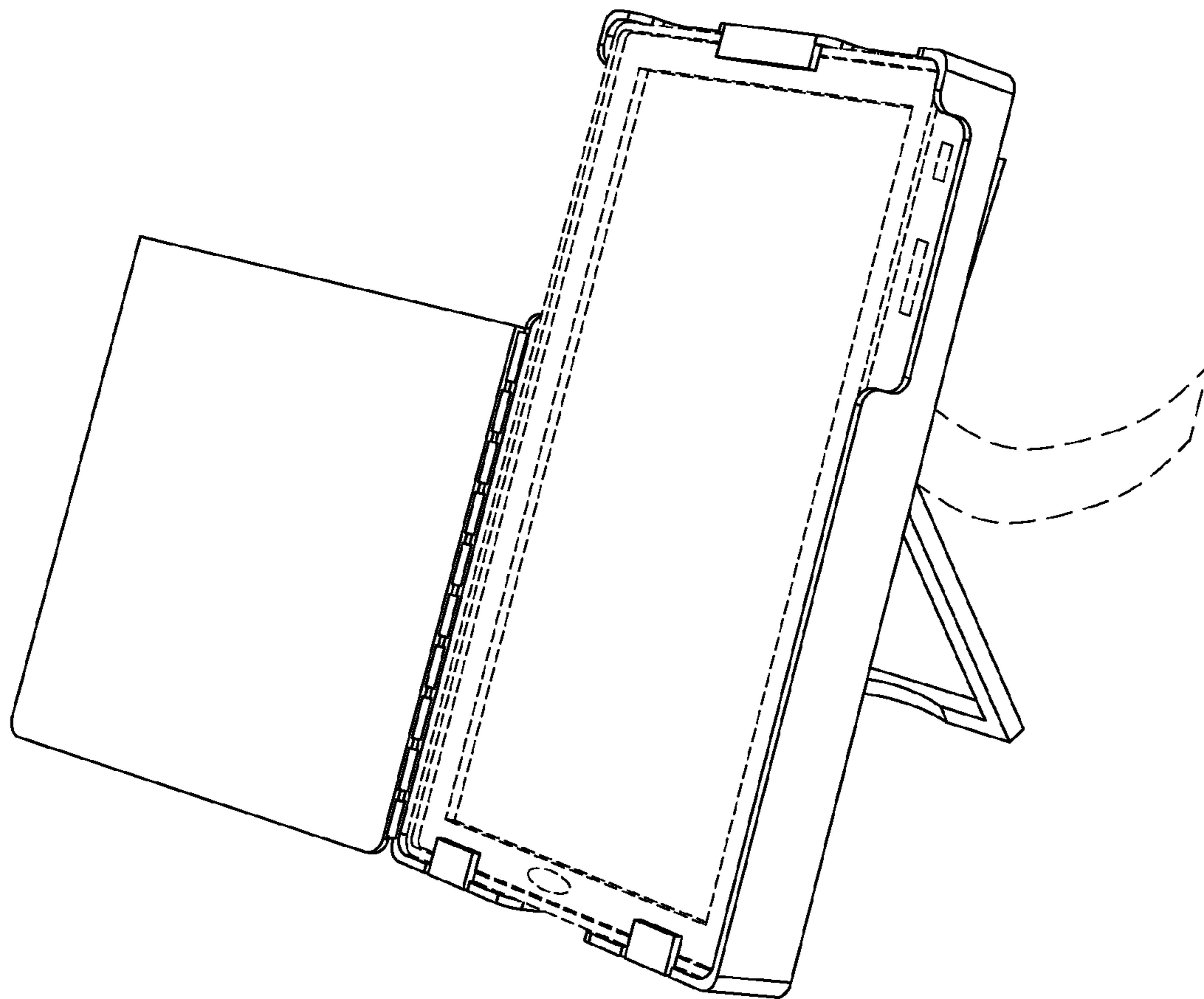


FIG. 2

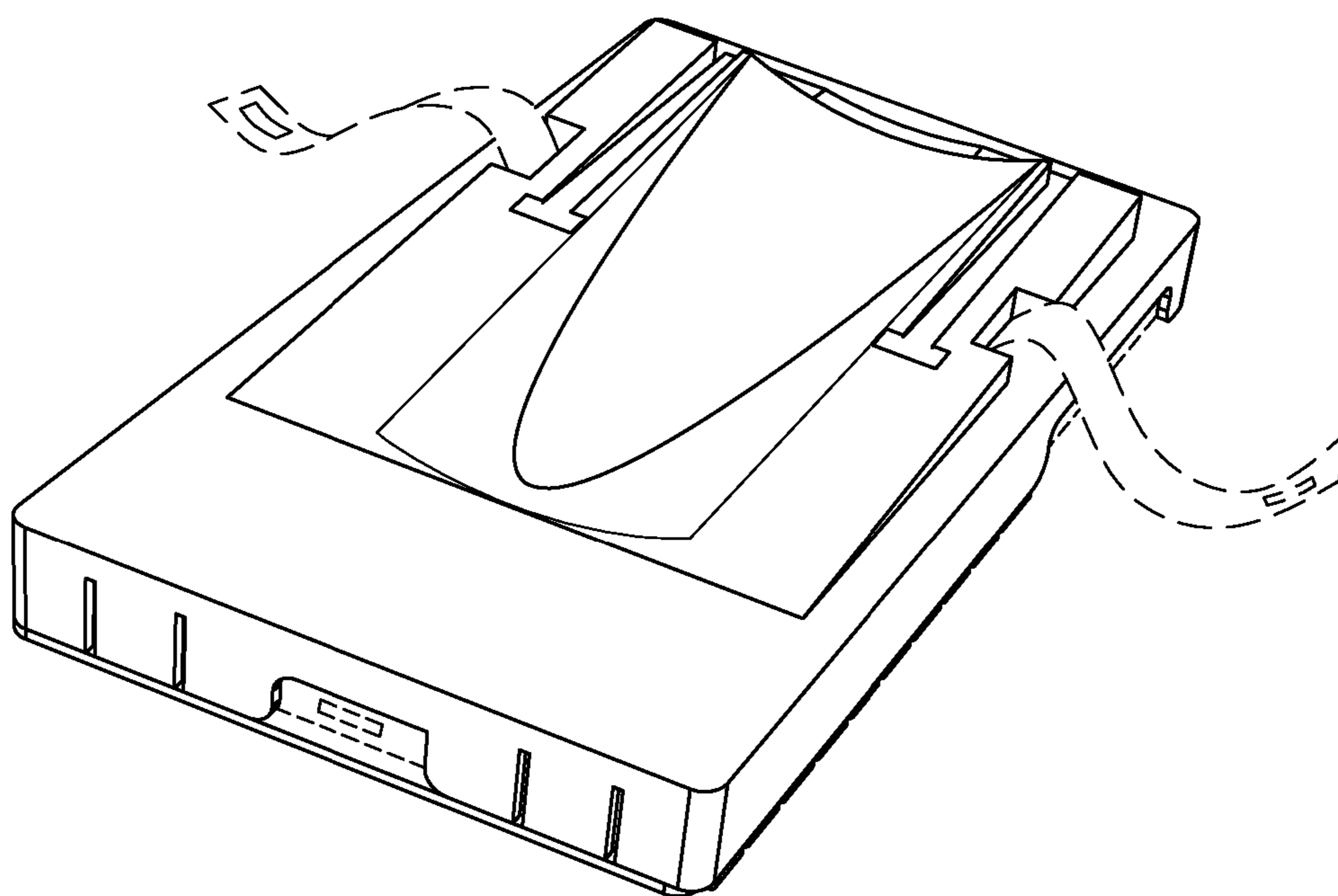


FIG. 3

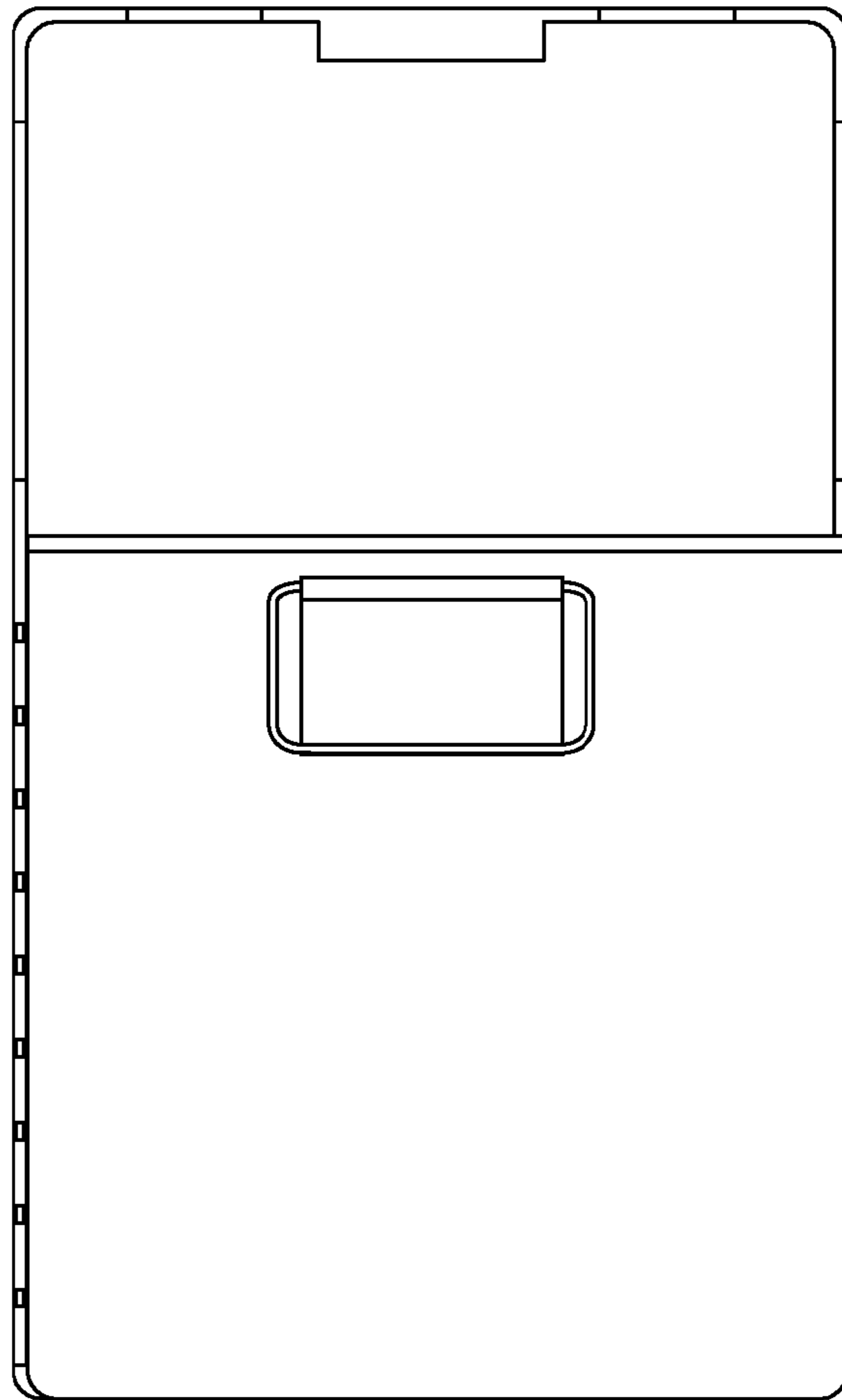


FIG. 4

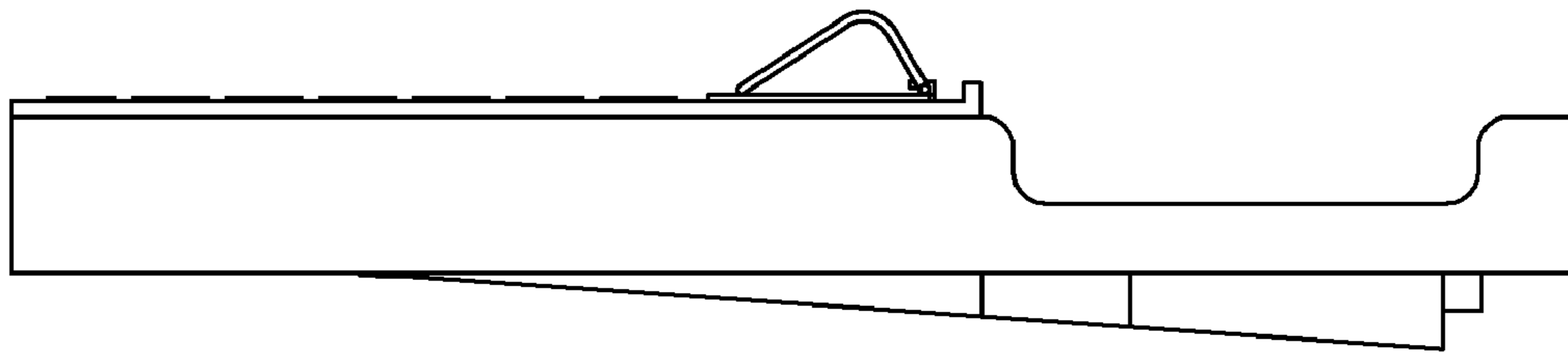


FIG. 5

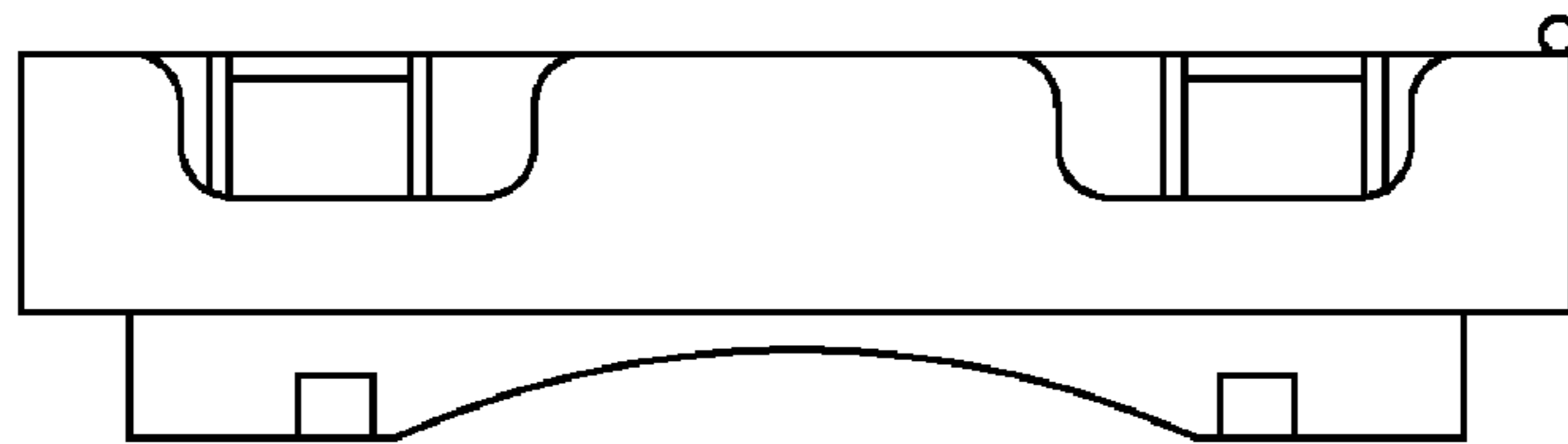


FIG. 6

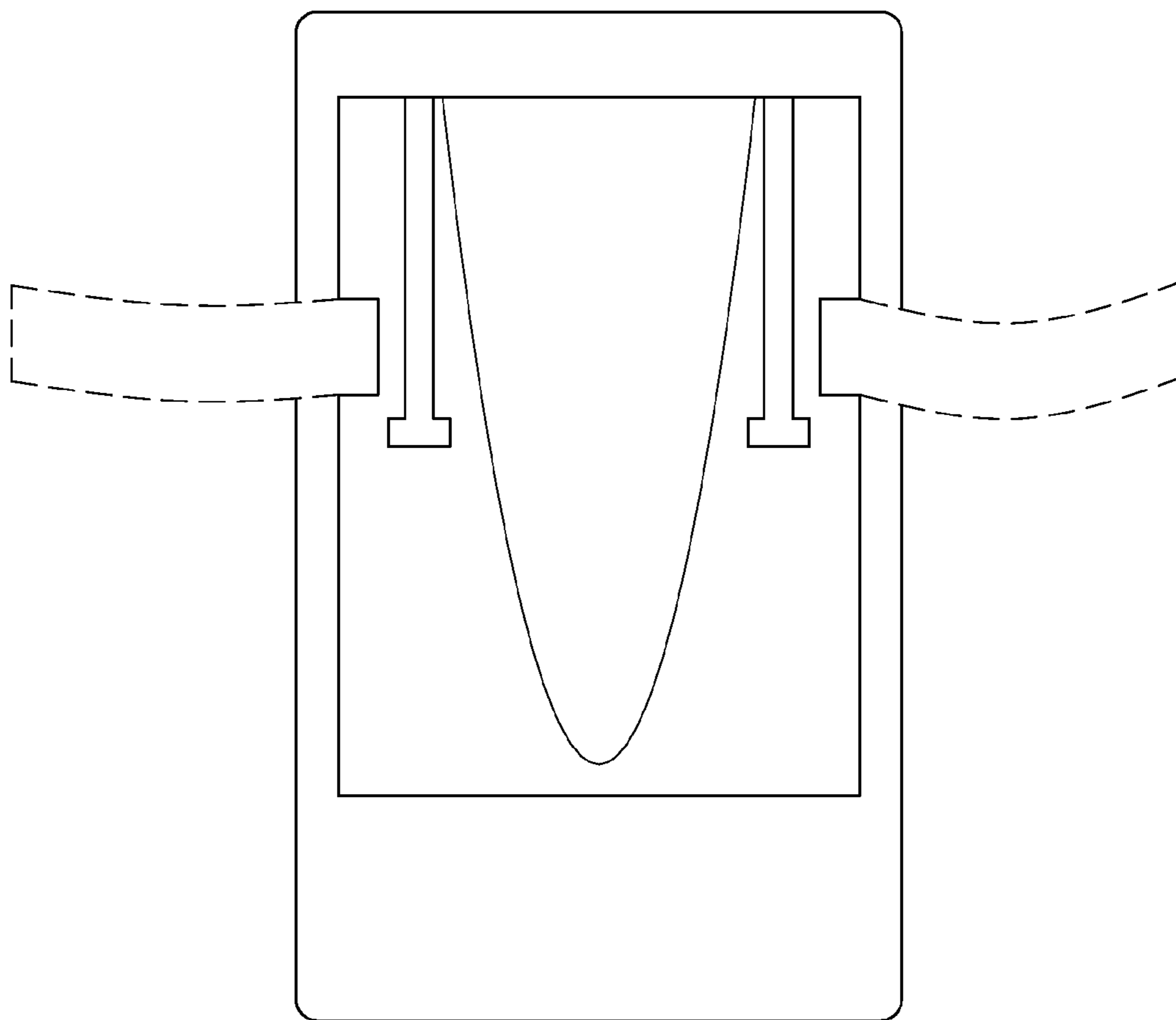


FIG. 7

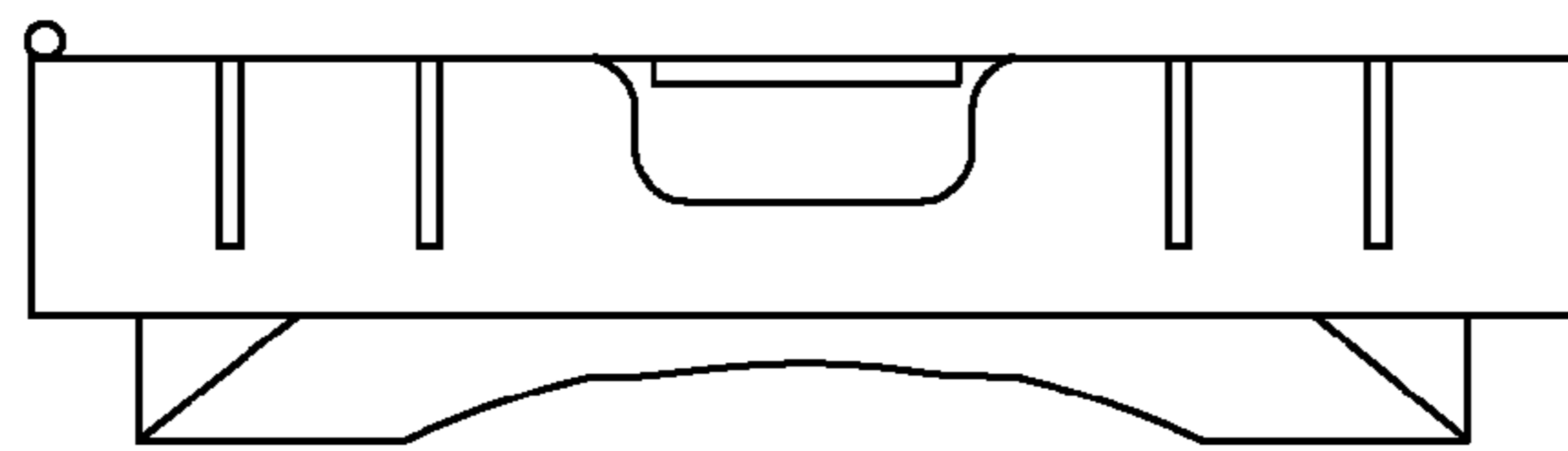


FIG. 8